



US00D947850S

(12) **United States Design Patent**
Akana et al.

(10) **Patent No.:** **US D947,850 S**

(45) **Date of Patent:** **** Apr. 5, 2022**

(54) **HOUSING MODULE FOR AN ELECTRONIC DEVICE**

(71) Applicant: **Apple Inc.**, Cupertino, CA (US)

(72) Inventors: **Jody Akana**, San Francisco, CA (US); **Molly Anderson**, San Francisco, CA (US); **Bartley K. Andre**, Palo Alto, CA (US); **Shota Aoyagi**, San Francisco, CA (US); **Anthony Michael Ashcroft**, San Francisco, CA (US); **Marine C. Bataille**, San Francisco, CA (US); **Jeremy Bataillou**, San Francisco, CA (US); **Lucy E. Browning**, San Francisco, CA (US); **Abidur Rahman Chowdhury**, San Francisco, CA (US); **Clara Geneviève Marine Courtaigne**, Palo Alto, CA (US); **Markus Diebel**, San Francisco, CA (US); **Richard Hung Minh Dinh**, Saratoga, CA (US); **Jonathan Gomez Garcia**, San Francisco, CA (US); **M. Evans Hankey**, San Francisco, CA (US); **Julian Hoenig**, San Francisco, CA (US); **Richard P. Howarth**, San Francisco, CA (US); **Jonathan P. Ive**, San Francisco, CA (US); **Julian Jaede**, San Francisco, CA (US); **Duncan Robert Kerr**, San Francisco, CA (US); **Peter Russell-Clarke**, San Francisco, CA (US); **Benjamin Andrew Shaffer**, San Jose, CA (US); **Sung-Ho Tan**, San Francisco, CA (US); **Clement Tissandier**, San Francisco, CA (US); **Eugene Antony Whang**, San Francisco, CA (US); **Luman Zhang**, Cupertino, CA (US); **Xiao Ying Zhao**, Santa Clara, CA (US); **Rico Zörkendörfer**, San Francisco, CA (US)

(73) Assignee: **Apple Inc.**, Cupertino, CA (US)

(**) Term: **15 Years**

(21) Appl. No.: **29/714,465**

(22) Filed: **Nov. 22, 2019**

(51) **LOC (13) Cl.** **14-02**

(52) **U.S. Cl.**
USPC **D14/439**

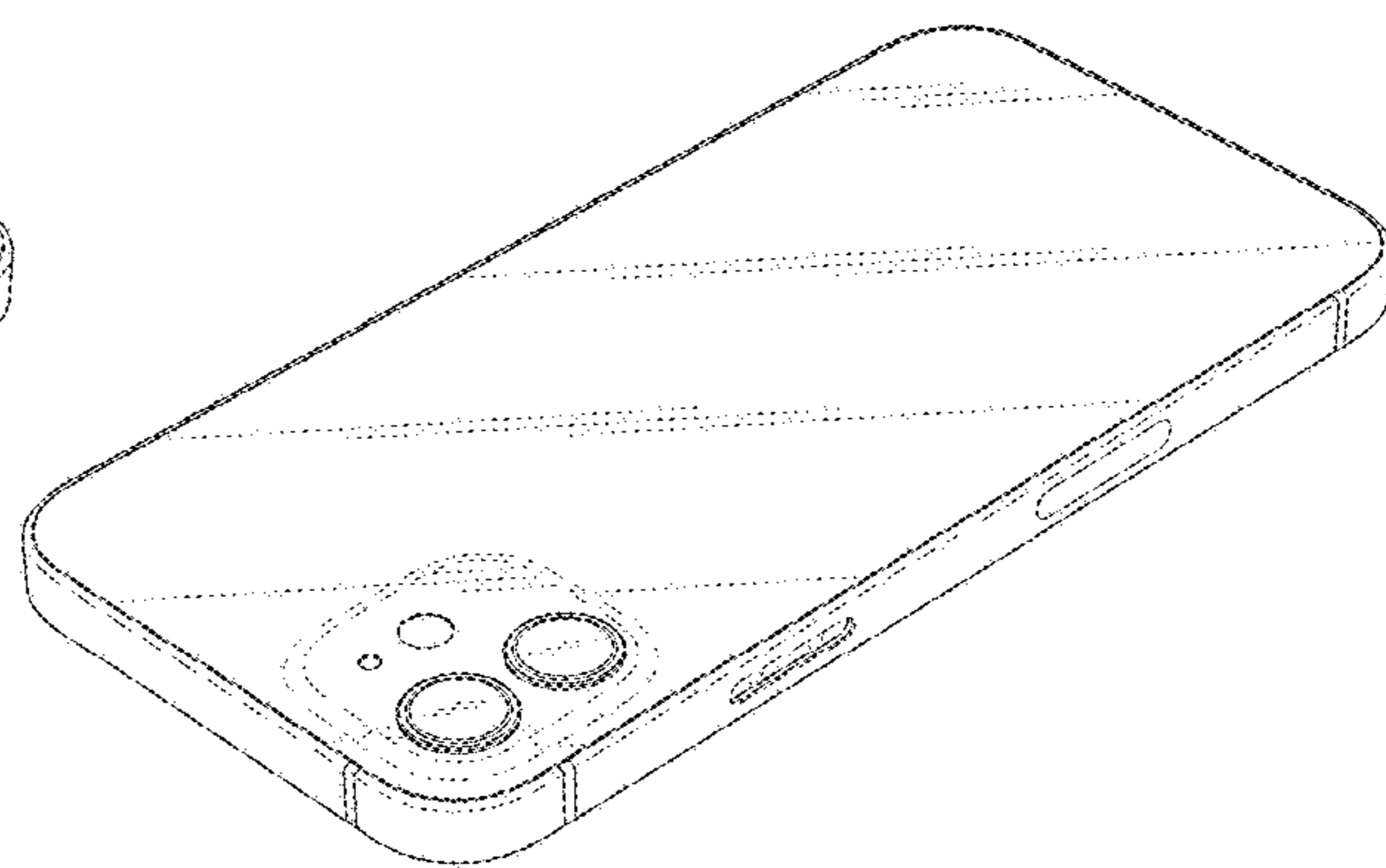
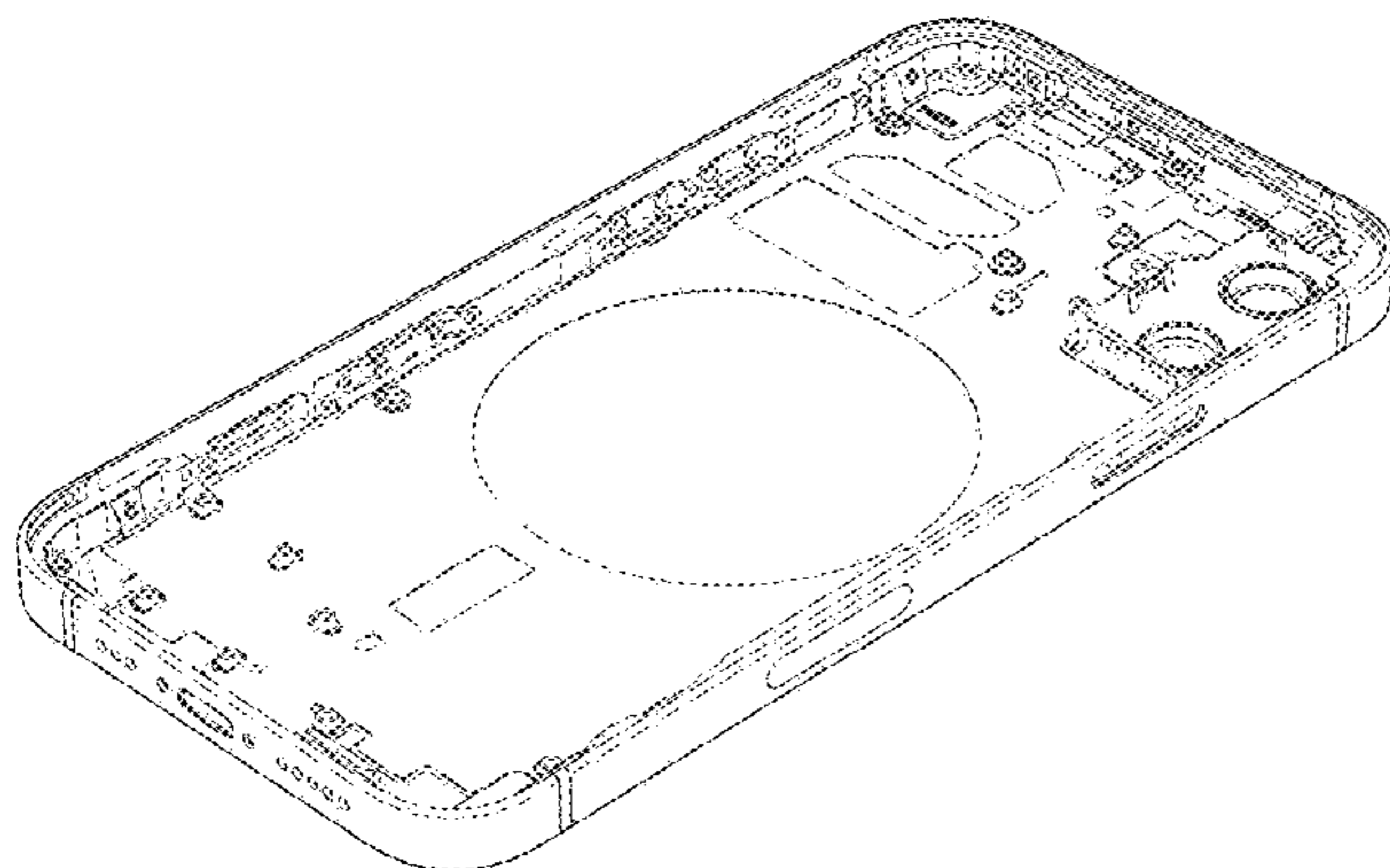
(58) **Field of Classification Search**
USPC D14/125-134, 137, 138 R, 138 AA, D14/138 AB, 138 AC, 138 AD, 138 C, D14/138 G, 147, 203.1-203.8, 217, 218, D14/238.1, 247, 248, 250, 257, 299, D14/315-318, 332, 336, 341-347, 371, D14/374-377, 388, 389, 420, 424, 426, D14/429, 432, 489, 492, 496, 425, D14/433-453, 464, 468, 469, 471, 511; D6/300-310; D10/50, 65, 98, 104.1; D16/241; D17/24, 99; D18/4.6, 6; D20/10, 19, 39; D21/329, 330, 517
CPC . A63H 33/3016; G06F 1/1613; G06F 1/1641; G06F 1/1643; G06F 1/1647; G06F 1/1626; G06F 3/04883; G06F 3/0486; G06F 3/04847; G06F 3/04845; G06F 3/0484; G06F 3/04817; H04B 1/3838; H04M 1/0235; H04M 1/0237; H04M 1/0239; H04M 1/0268; H04M 1/027; H04M 1/0295; H04M 1/02; H04M 1/0279; H04M 1/0277; H04M 1/0266; H04M 1/0202; H04M 1/026; H04M 1/0281; H04M 1/0283; H04N 13/045; H05K 5/0017; H05K 5/02; H05K 5/0217; H05K 5/0004

See application file for complete search history.

(56) **References Cited**

U.S. PATENT DOCUMENTS

D114,891 S	5/1939	Fogel
D191,070 S	8/1961	McCreery
D411,448 S	6/1999	Baker
D465,486 S	11/2002	Lee et al.
D556,681 S	12/2007	Kim
D574,819 S	8/2008	Andre et al.
D575,056 S	8/2008	Tan
7,660,560 B2	2/2010	Zuo et al.
7,697,281 B2	4/2010	Dabov et al.
D619,361 S	7/2010	Andre et al.
D622,716 S	8/2010	Andre et al.



US D947,850 S

D623,180 S	9/2010	Diebel	
D624,403 S	9/2010	Hansen et al.	
7,796,381 B2	9/2010	Zuo et al.	
D624,815 S	10/2010	Hansen et al.	
D625,303 S	10/2010	Kim	
D625,524 S	10/2010	Schwartz et al.	
D627,343 S	11/2010	Andre et al.	
7,911,774 B2	3/2011	Nakanishi et al.	
D643,837 S	8/2011	Smith et al.	
D647,519 S	10/2011	Rothbaum et al.	
D648,718 S	11/2011	Andre et al.	
D653,202 S	1/2012	Hasbrook et al.	
D662,503 S	6/2012	Akana et al.	
D666,202 S	8/2012	Dinh et al.	
8,250,724 B2	8/2012	Dabov et al.	
D670,281 S	11/2012	Corpuz et al.	
D671,102 S	11/2012	Rothbaum et al.	
D677,664 S	3/2013	Akana et al.	
D677,666 S	3/2013	Akana et al.	
D681,032 S	4/2013	Akana et al.	
D697,068 S	1/2014	Andre et al.	
D697,511 S	1/2014	Andre et al.	
D697,918 S	1/2014	Akana et al.	
D699,717 S	2/2014	Akana et al.	
D710,813 S	8/2014	Ichinose	
D718,753 S	12/2014	Akana et al.	
D720,747 S	1/2015	Kim et al.	
D721,346 S	1/2015	Lee et al.	
D723,495 S	3/2015	Jeong	
D723,567 S	3/2015	Akana et al.	
D729,809 S	5/2015	Akana et al.	
D730,361 S	5/2015	Akana et al.	
D732,498 S	6/2015	Huang et al.	
D732,539 S	6/2015	Akana et al.	
D733,146 S	6/2015	Akana et al.	
D735,726 S	8/2015	Chen	
9,114,487 B2	8/2015	Kiple et al.	
D743,389 S	11/2015	Akana et al.	
9,176,701 B2	11/2015	Becze	
D747,319 S	1/2016	Lee	
D747,723 S	1/2016	Kim et al.	
D749,077 S *	2/2016	Akana	D14/439
D749,590 S	2/2016	Dinh et al.	
D749,591 S	2/2016	Akana et al.	
D756,948 S	5/2016	Kim et al.	
D757,675 S	5/2016	Seo et al.	
D759,008 S	6/2016	Akana et al.	
D765,661 S	9/2016	Akana et al.	
D768,637 S	10/2016	Akana et al.	
D770,411 S	11/2016	Zhang	
D772,865 S	11/2016	Akana et al.	
D772,877 S	11/2016	Akana et al.	
D774,031 S	12/2016	Otani	
D777,155 S	1/2017	Kim et al.	
D778,905 S	2/2017	Akana et al.	
D780,742 S	3/2017	Guerdrum et al.	
D781,807 S	3/2017	Hubbard et al.	
D791,139 S	7/2017	Akana et al.	
D791,732 S	7/2017	Xu et al.	
D795,260 S	8/2017	Schlossberg et al.	
D796,469 S	9/2017	Jin	
D798,260 S	9/2017	Seo et al.	
D800,716 S	10/2017	Akana et al.	
D803,209 S	11/2017	Akana et al.	
D806,705 S	1/2018	Akana et al.	
D815,632 S	4/2018	Akana et al.	
D815,633 S	4/2018	Akana et al.	
D815,634 S	4/2018	Akana et al.	
D816,649 S	5/2018	Song et al.	
D824,389 S *	7/2018	Dinh	D14/439
D824,390 S	7/2018	Akana et al.	
D831,025 S	10/2018	Akana et al.	
D848,999 S *	5/2019	Akana	H04M 1/0279 D14/341
D849,009 S	5/2019	Akana et al.	
D849,010 S *	5/2019	Akana	D14/439
D893,495 S *	8/2020	Akana	D14/439
D895,626 S *	9/2020	Akana	D14/439
D895,628 S *	9/2020	Akana	D14/439
D896,232 S *	9/2020	Akana	D14/439
D901,479 S *	11/2020	Altschul	D14/250
D901,480 S *	11/2020	Altschul	H04M 1/0279 D14/250
D905,065 S *	12/2020	Akana	D14/439
D905,696 S *	12/2020	Akana	D14/439
D909,388 S *	2/2021	Akana	D14/439
10,959,350 B2 *	3/2021	Lee	H04M 1/0266
D924,241 S *	7/2021	Akana	D14/439
D926,766 S *	8/2021	Akana	D14/439
D926,768 S *	8/2021	Akana	D14/439
D926,769 S *	8/2021	Akana	D14/439
11,082,545 B2 *	8/2021	Kim	H04M 1/0266
D933,072 S *	10/2021	Akana	D14/439
2006/0281501 A1	12/2006	Zuo et al.	
2009/0245565 A1	10/2009	Mittleman et al.	
2010/0146766 A1	6/2010	Dabov et al.	
2012/0008266 A1	1/2012	Nomura	
2012/0092812 A1	4/2012	Lewis et al.	
2021/0034114 A1 *	2/2021	Cha	H04M 1/02
2021/0044685 A1 *	2/2021	Bui Dac	H04M 1/0266
2021/0055059 A1 *	2/2021	Lee	G06F 1/1626
2021/0091816 A1 *	3/2021	Noh	H04B 1/3838
2021/0092856 A1 *	3/2021	Jou	G06F 1/1626
2021/0099560 A1 *	4/2021	Kim	H04M 1/0277
2021/0168229 A1 *	6/2021	Kallman	H04M 1/0277
2021/0204435 A1 *	7/2021	Choi	G06F 1/1637
2021/0251079 A1 *	8/2021	Park	H04M 1/0277

OTHER PUBLICATIONS

Apple Launches iPhone 8 and iPhone 8 Plus Starting at \$699, dated Sep. 12, 2017, Retrieved from the Internet, (URL: <https://www.guidingtech.com/72676/apple-launches-iphone8/>).

Back Rear Housing Cover Battery Door Replacement Part for iPhone 8/8 Plus, Quality, dated May 9, 2018, Retrieved from the Internet, (URL: <http://domobest.manufacturer.globalsources.com/si/6008848956994/pdtl/Repair-part/1157196030/Battery-. . . .>).

Fingas R, "Leak claims to show schematic for 2019's upcoming 'iPhone XI'," dated Mar. 28, 2019, Retrieved from the Internet, (URL: <https://appleinsider.com/articles/19/03/28/leak-claims-to-show-schematic-for-2019s-upcoming-iphone-xi>).

HTC: Apple ripped off our unibody phone design and antenna bands, not the other way round, dated Oct. 22, 2015, Retrieved from the Internet, (URL: <http://www.idownloadblog.com/2015/10/22/htc-antenna-design-statement/>).

IPhone 6 Back Housing Replacement (Space Gray), dated May 9, 2018, Retrieved from the Internet, (URL: <https://www.phonepartworld.com/iphone-6-aluminum-back-housing-replacement-gray>).

IPad Pro Design The only thing that hasn't changed is the name., dated Nov. 1, 2018, Retrieved from the Internet, (URL: (<https://web.archive.org/web/20181101223019/https://www.apple.com/ipad-pro/design/>)).

Replacement for iPhone X Rear Housing with Frame-White dated May 9, 2018, Retrieved from the Internet, (URL: <https://www.unionrepair.com/replacement-for-iphone-x-rear-housing-with-frame-white.html>).

Team Digit, "EXCLUSIVE: First look at 2019 Apple iPhone XI renders," dated Jan. 6, 2019, Retrieved from the Internet, (URL: <https://www.digit.in/news/mobile-phones/exclusive-first-look-at-2019-iphone-xi-renders-45655.html>), 3 pages.

The iPhone 8 is excellent, but not for everyone, dated Sep. 19, 2017, Retrieved from the Internet, (URL: <https://mashable.com/2017/09/19/apple-iphone-8-and-iphone-8-plus-review/#fOyLRIFfRkql>).

Twitter, @OnLeaks, "Excitement level over 9000!!!" , dated Jan. 5, 2019, Retrieved from the Internet, (URL: <https://twitter.com/OnLeaks/status/1081902300434780161>).

Wayback Machine Internet Archive, "iPhone 7 Pre-order September 9," Apple Inc., dated Sep. 7, 2016, Retrieved from the Internet, (URL: <https://web.archive.org/web/20160907191555/https://www.apple.com/shop/buy-iphone/iphone-7>).

* cited by examiner

Primary Examiner — Llorelys Martinez
Assistant Examiner — Kwabena A. Ankobiah
(74) *Attorney, Agent, or Firm* — Sterne, Kessler,
Goldstein & Fox P.L.L.C.

(57) **CLAIM**

The ornamental design for a housing module for an electronic device, as shown and described.

DESCRIPTION

FIG. 1 is a bottom and front perspective view of a housing module for an electronic device showing the claimed design; FIG. 2 is a top and rear perspective view thereof; FIG. 3 is a front elevation view thereof; FIG. 4 is a rear elevation view thereof; FIG. 5 is a left side elevation view thereof; FIG. 6 is a right side elevation view thereof; FIG. 7 is a top plan view thereof; and, FIG. 8 is a bottom plan view thereof.

The broken lines in the figures show portions of the housing module for an electronic device that form no part of the claimed design.

1 Claim, 6 Drawing Sheets

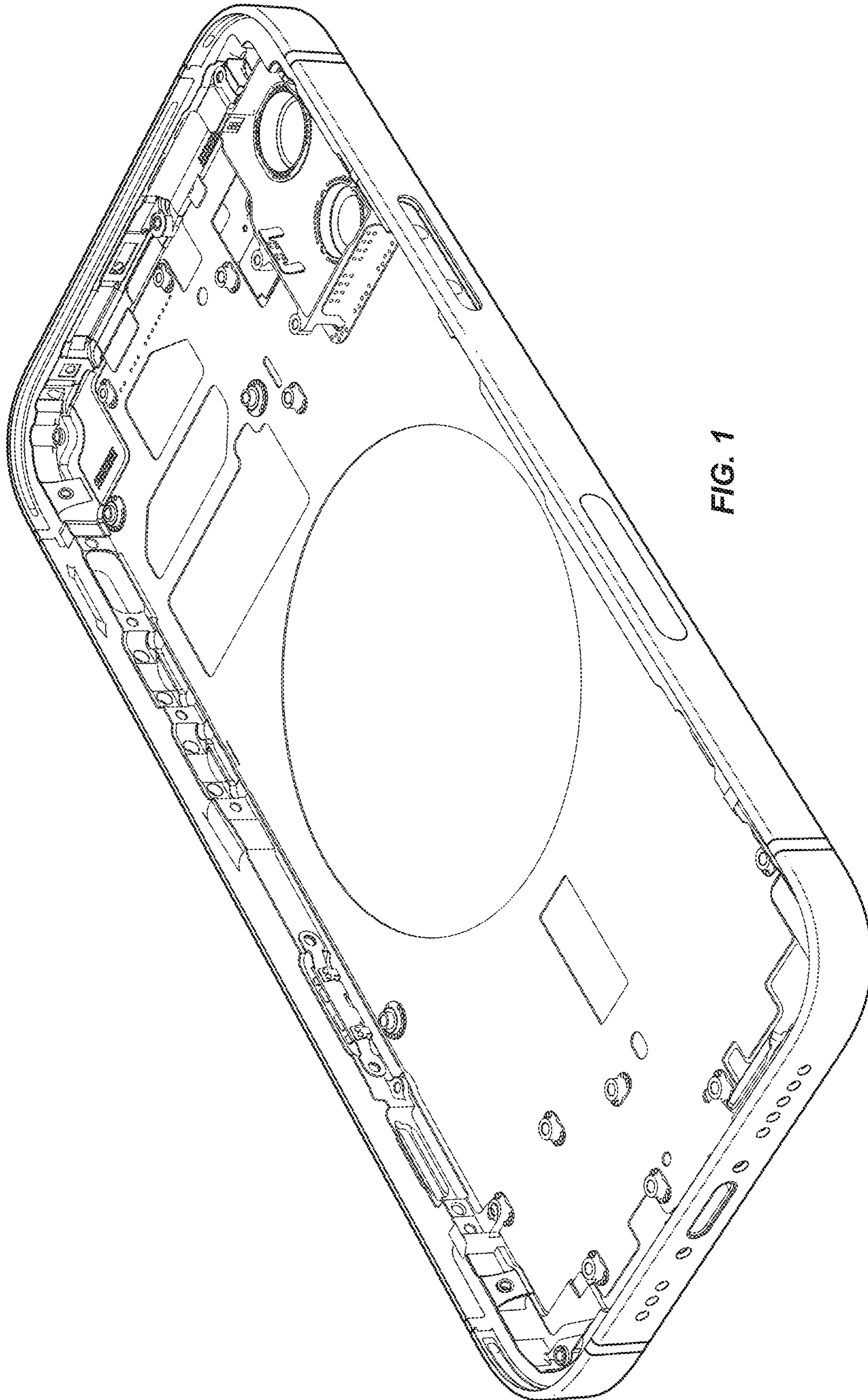


FIG. 1

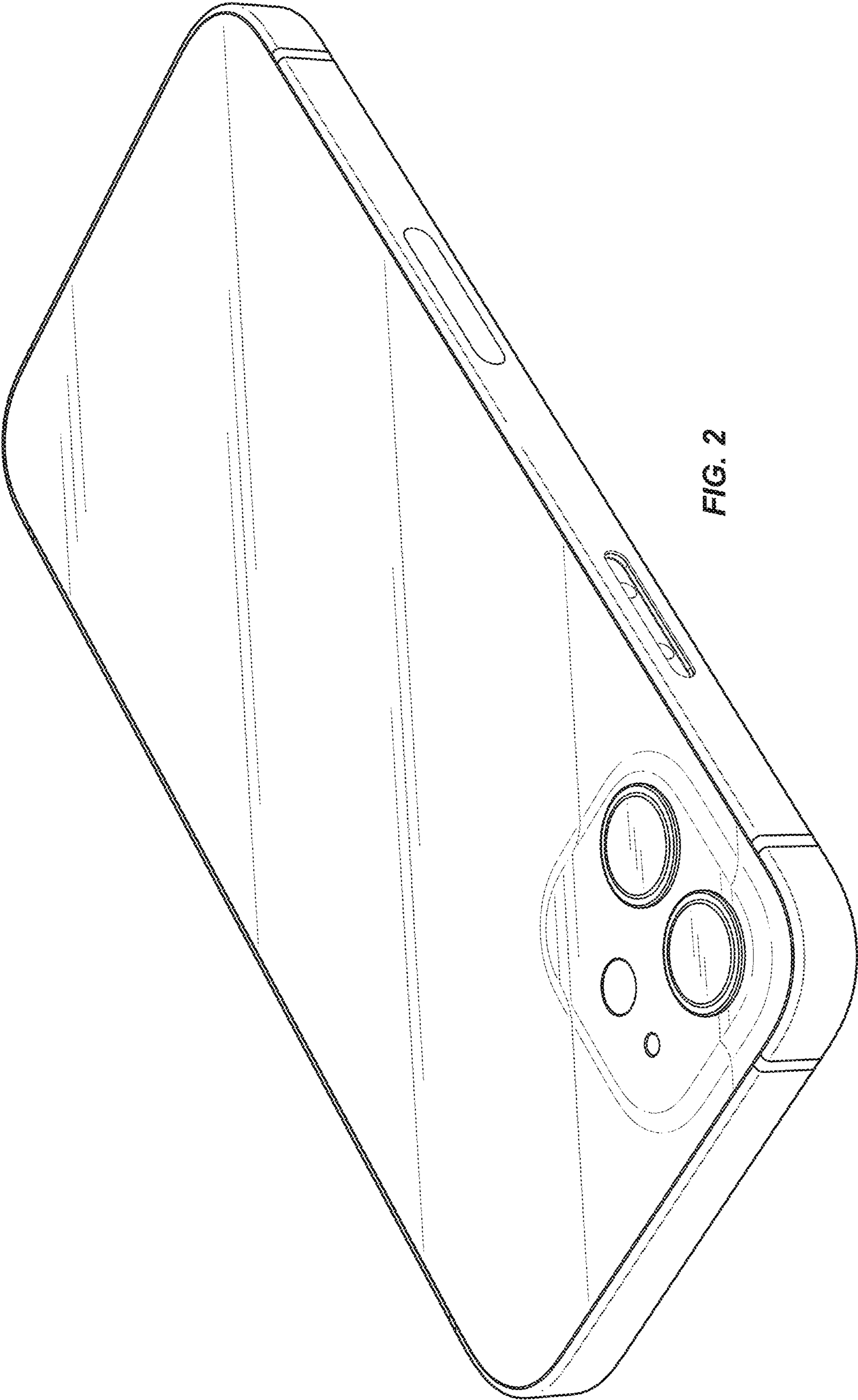


FIG. 2

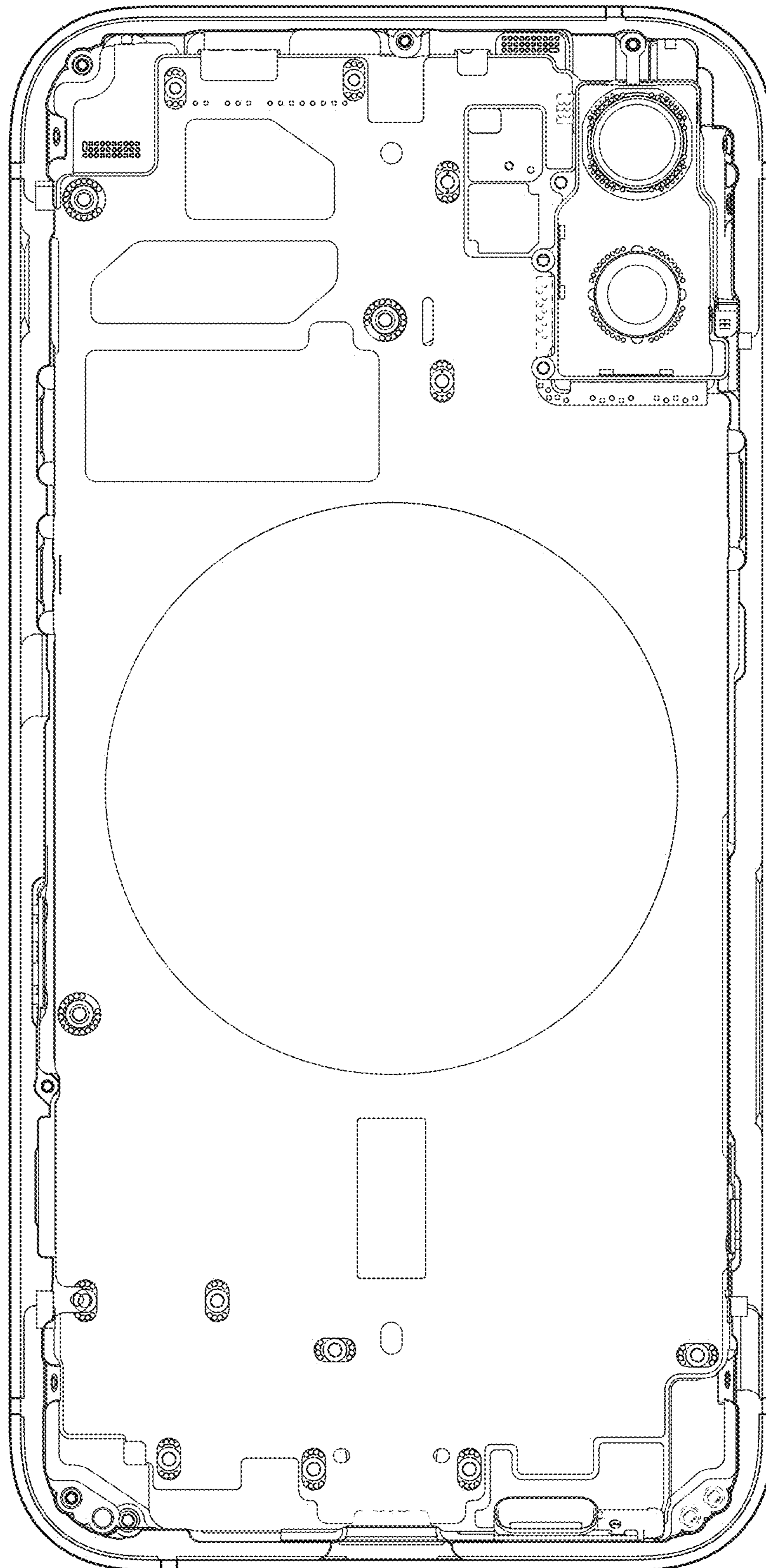


FIG. 3

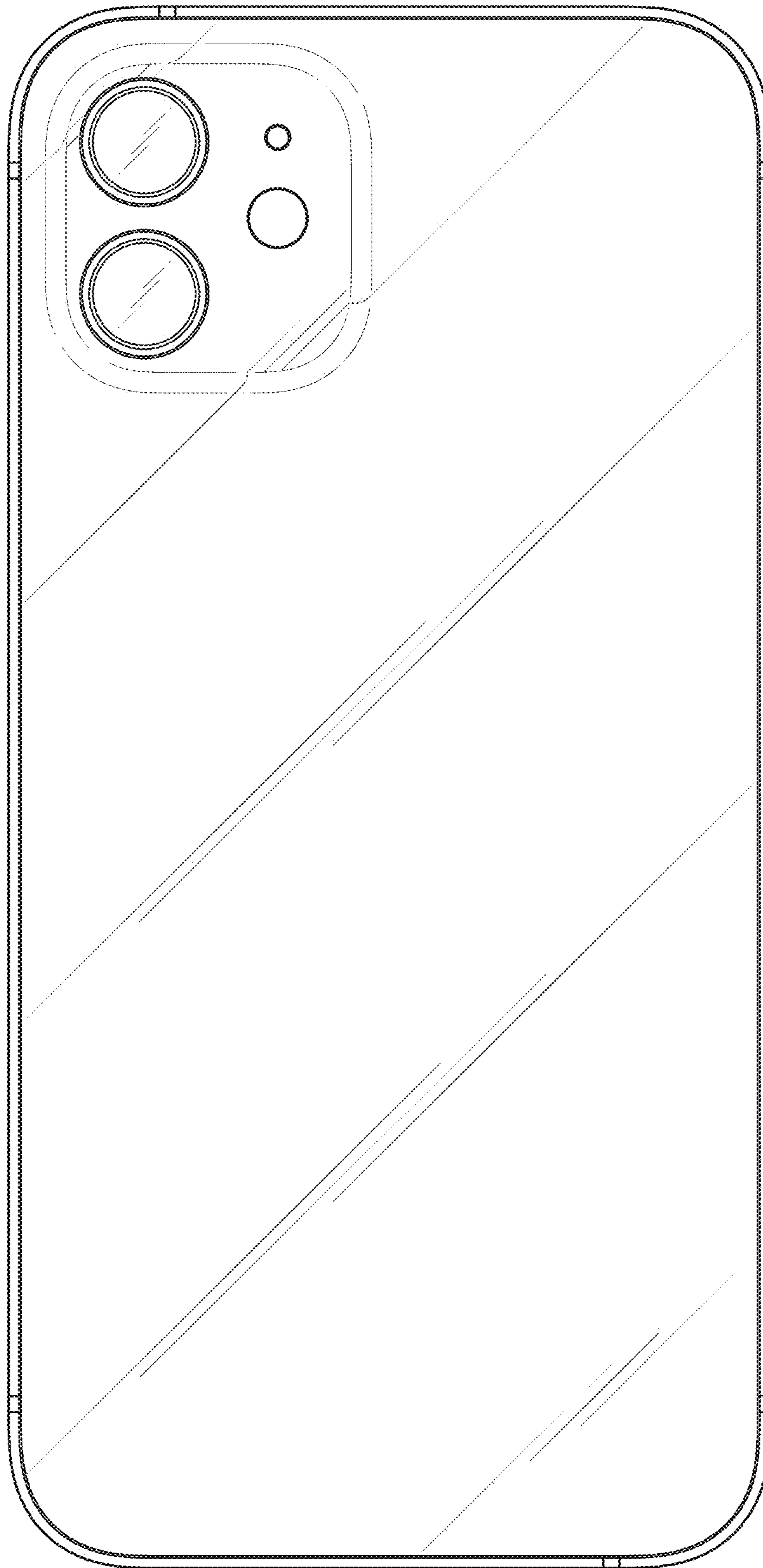


FIG. 4

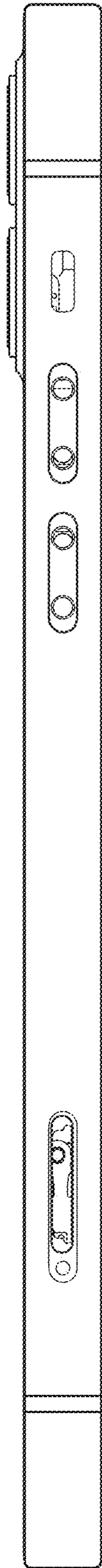


FIG. 5

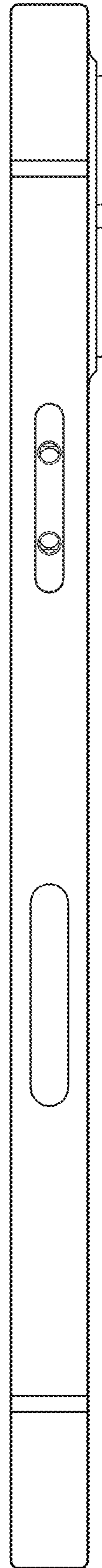


FIG. 6

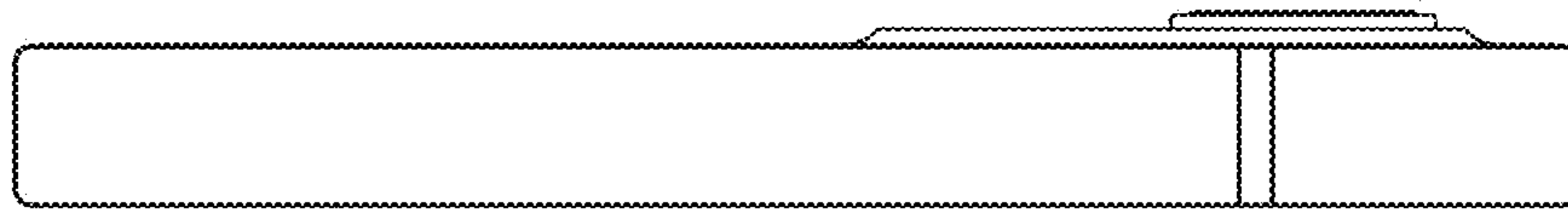


FIG. 7

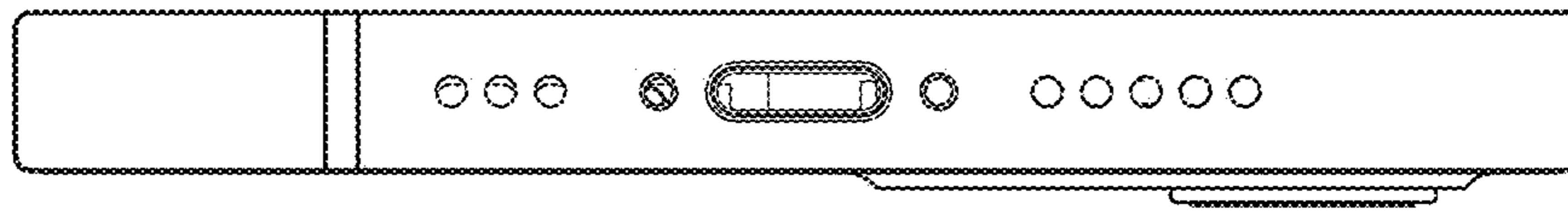


FIG. 8