



US00D947848S

(12) **United States Design Patent**
Akana et al.

(10) **Patent No.: US D947,848 S**
(45) **Date of Patent: ** Apr. 5, 2022**

(54) **COMPONENT FOR AN ELECTRONIC DEVICE**

(71) Applicant: **Apple Inc.**, Cupertino, CA (US)

(72) Inventors: **Jody Akana**, San Francisco, CA (US); **Molly Anderson**, San Francisco, CA (US); **Bartley K. Andre**, Palo Alto, CA (US); **Shota Aoyagi**, San Francisco, CA (US); **Anthony Michael Ashcroft**, San Francisco, CA (US); **Marine C. Bataille**, San Francisco, CA (US); **Jeremy Bataillou**, San Francisco, CA (US); **Markus Diebel**, San Francisco, CA (US); **M. Evans Hankey**, San Francisco, CA (US); **Julian Hoenig**, San Francisco, CA (US); **Richard P. Howarth**, San Francisco, CA (US); **Jonathan P. Ive**, San Francisco, CA (US); **Julian Jaede**, San Francisco, CA (US); **Duncan Robert Kerr**, San Francisco, CA (US); **Peter Russell-Clarke**, San Francisco, CA (US); **Benjamin Andrew Shaffer**, San Jose, CA (US); **Sung-Ho Tan**, San Francisco, CA (US); **Clement Tissandier**, San Francisco, CA (US); **Eugene Antony Whang**, San Francisco, CA (US); **Rico Zörkendörfer**, San Francisco, CA (US)

(73) Assignee: **Apple Inc.**, Cupertino, CA (US)

(**) Term: **15 Years**

(21) Appl. No.: **29/725,898**

(22) Filed: **Feb. 27, 2020**

(51) **LOC (13) Cl.** **14-02**

(52) **U.S. Cl.**
USPC **D14/432**

(58) **Field of Classification Search**
USPC D13/103, 107-108, 110, 184, 199;
D14/251, 253, 432, 434; D27/193, 194;
343/702, 700, 846

CPC H02J 7/0044; H02J 7/0045; H02J 7/0042;
H02J 7/342; H02J 7/345; H02J 7/025;
H02J 7/026; H02J 7/0007; H02J 7/0027;
H02J 7/0003; H01Q 1/521; H01Q 5/30;
H01Q 1/2291; H01Q 1/48
See application file for complete search history.

(56) **References Cited**

U.S. PATENT DOCUMENTS

7,623,077 B2 * 11/2009 Wang H01Q 1/22
343/700 MS
D658,604 S * 5/2012 Egawa D13/180
D718,236 S * 11/2014 Murray D13/108

(Continued)

FOREIGN PATENT DOCUMENTS

AU 351172 S 10/2013
JP D1573130 4/2017

Primary Examiner — Austin Murphy
(74) *Attorney, Agent, or Firm* — Sterne, Kessler,
Goldstein & Fox P.L.L.C.

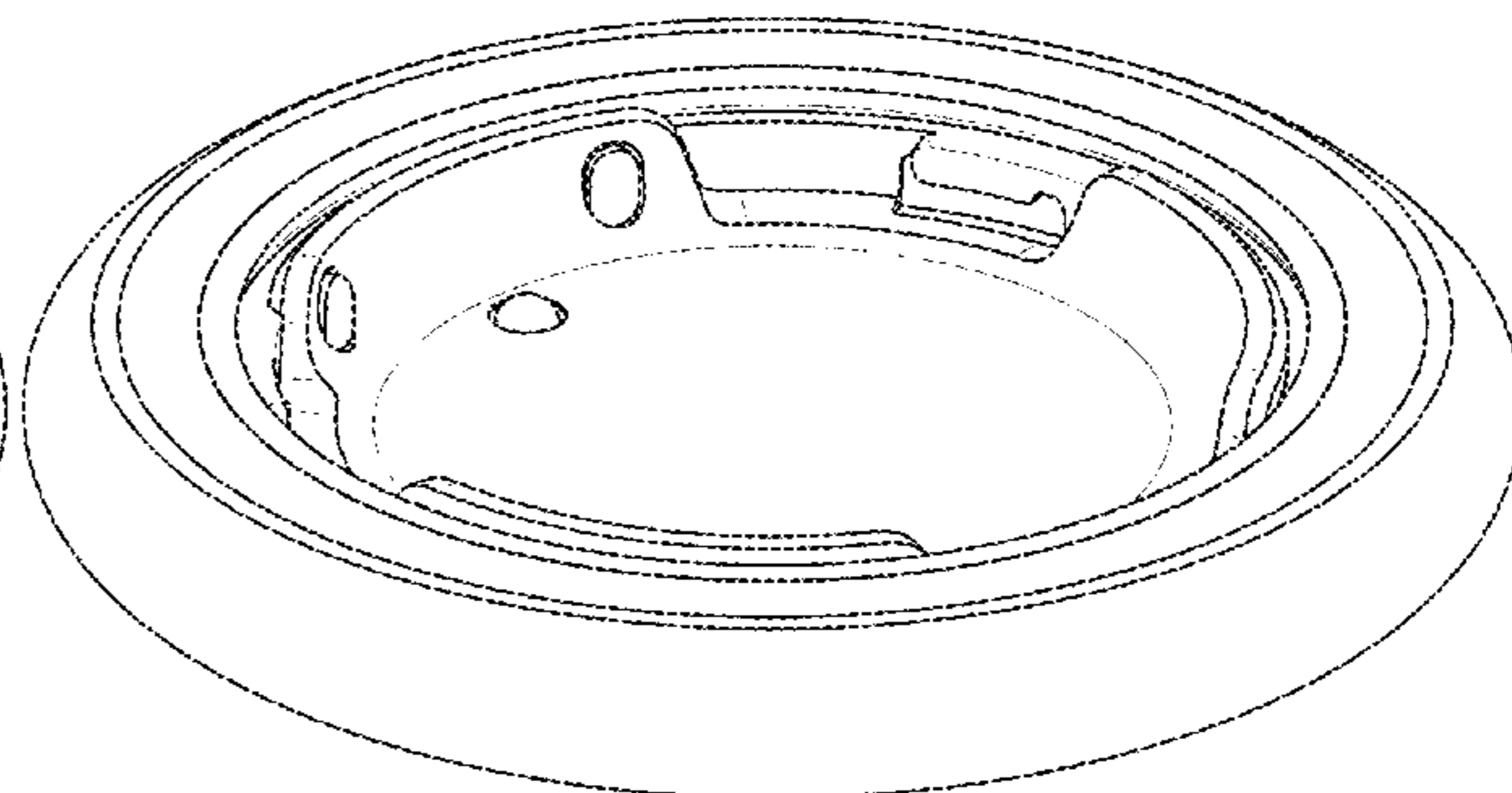
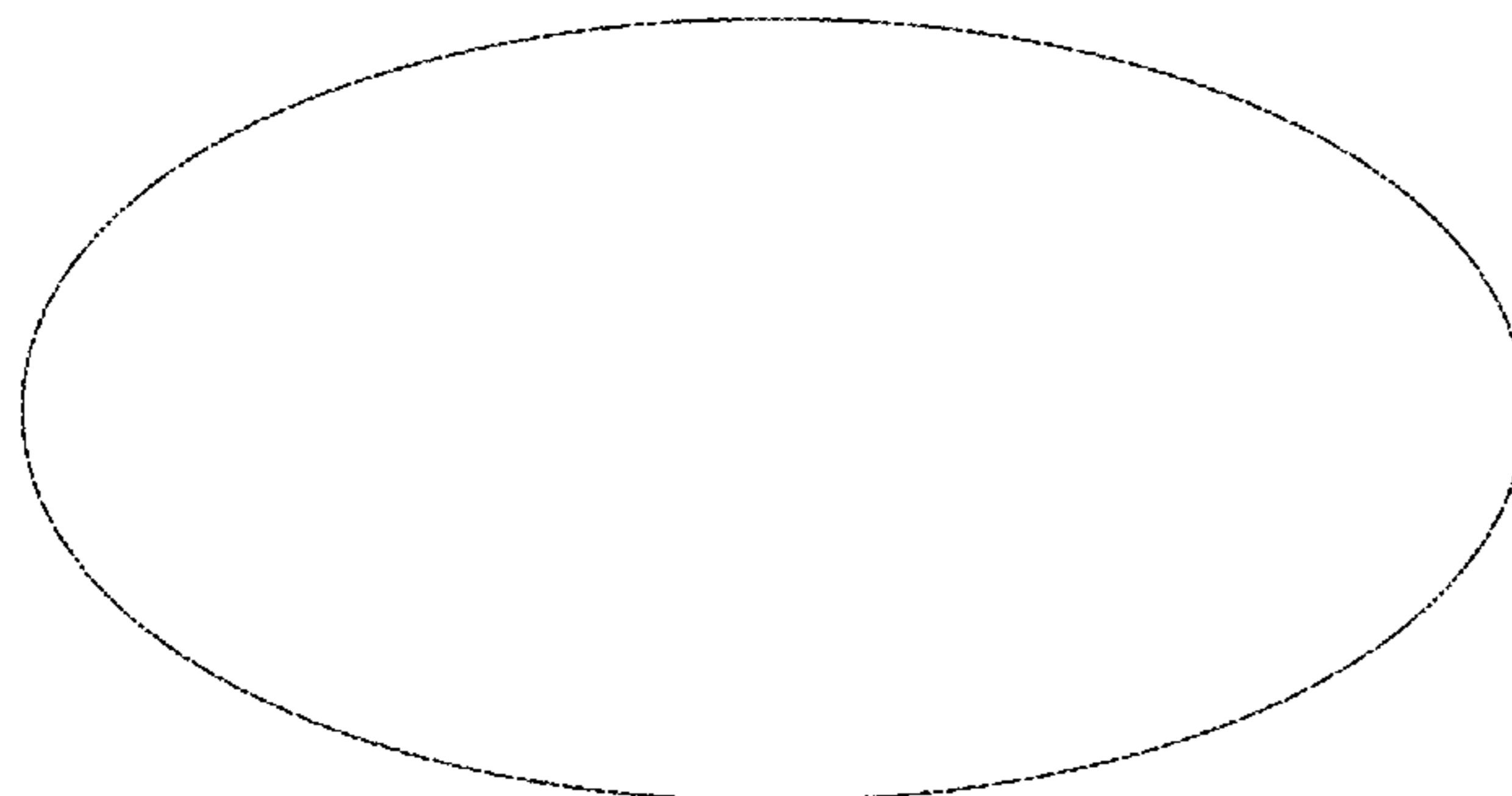
(57) **CLAIM**

The ornamental design for a component for an electronic device, as shown and described.

DESCRIPTION

FIG. 1 is a top front perspective view of a housing for an electronic device showing the claimed design; FIG. 2 is a bottom rear perspective view thereof; FIG. 3 is a front view thereof; FIG. 4 is a rear view thereof; FIG. 5 is a left side view thereof; FIG. 6 is a right side view thereof; FIG. 7 is a top view thereof; and, FIG. 8 is a bottom view thereof.

1 Claim, 4 Drawing Sheets



(56)

References Cited

U.S. PATENT DOCUMENTS

D749,504	S	*	2/2016	Jeong	D13/108
D768,634	S	*	10/2016	Akana	D14/432
D772,813	S	*	11/2016	Wahl	D13/108
D782,973	S	*	4/2017	Zhou	D13/108
D784,259	S	*	4/2017	Huang	D13/108
D791,771	S	*	7/2017	Akana	D14/432
D795,183	S	*	8/2017	Akana	D13/108
D807,863	S	*	1/2018	Ploetz	D14/230
D822,010	S	*	7/2018	Tkachenko	D14/230
D853,390	S	*	7/2019	Akana	D14/432
D855,567	S	*	8/2019	Cai	D13/108
D861,602	S	*	10/2019	Feng	D13/108
D865,760	S		11/2019	Beristain et al.		
D868,067	S	*	11/2019	Guarniere	D14/432
D869,391	S	*	12/2019	Roberts	D13/108
D888,715	S	*	6/2020	Hendrickson	D14/432
D895,543	S	*	9/2020	Akana	D13/108
D901,379	S	*	11/2020	Choi	D13/108
D911,276	S	*	2/2021	Li	D13/108
D918,135	S	*	5/2021	Akana	D13/108
D918,137	S	*	5/2021	Painter	D13/108
D924,796	S	*	7/2021	Ye	D13/108
11,128,032	B2	*	9/2021	Da Costa Bras Lima	
						H01Q 1/521
D937,765	S	*	12/2021	Akana	D13/107
2017/0093198	A1	*	3/2017	Graham	H04B 5/0081
2020/0059114	A1	*	2/2020	Langlois	H02J 50/10
2020/0083726	A1	*	3/2020	Kim	H02J 7/0044

* cited by examiner

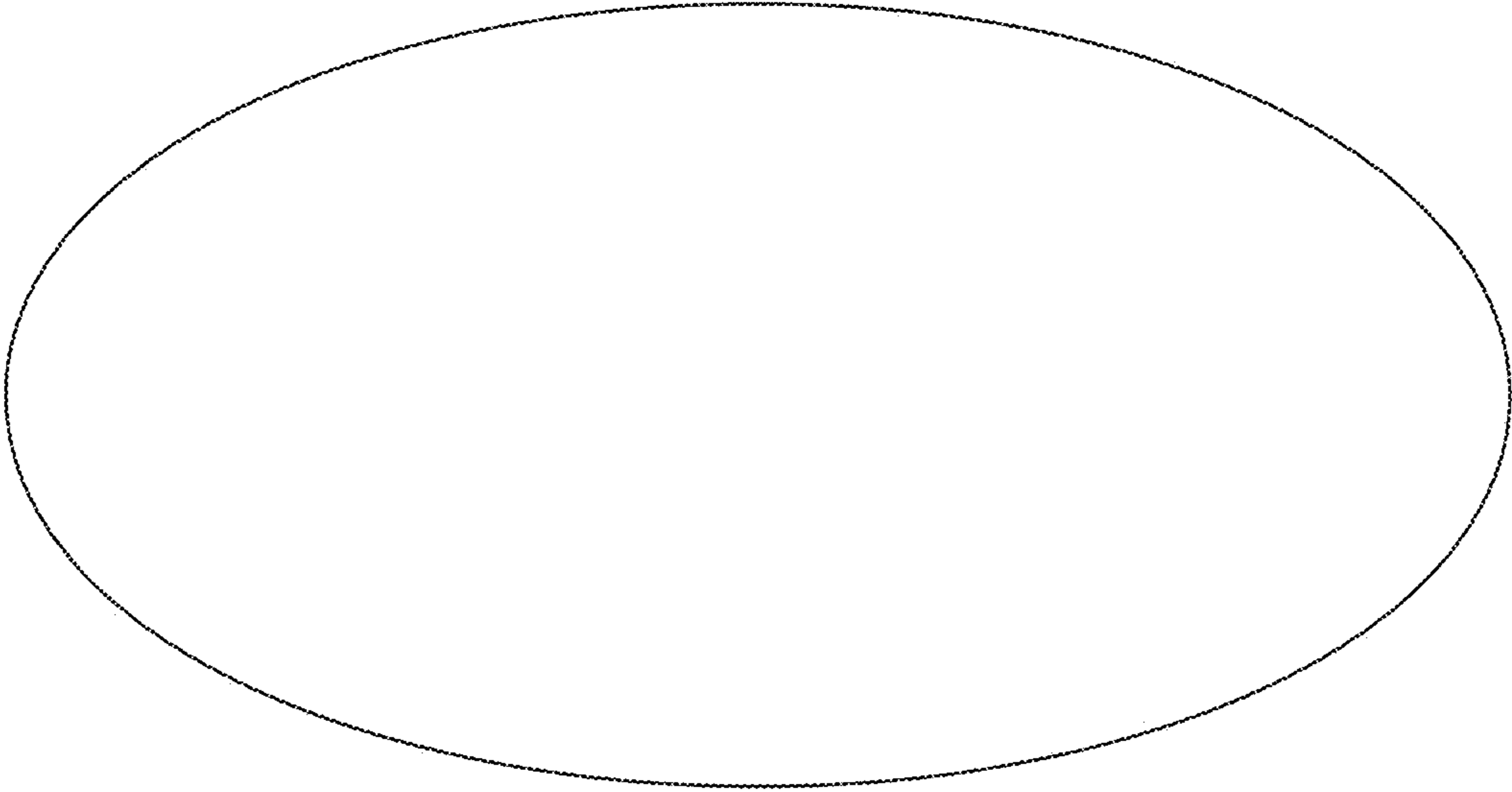


FIG. 1

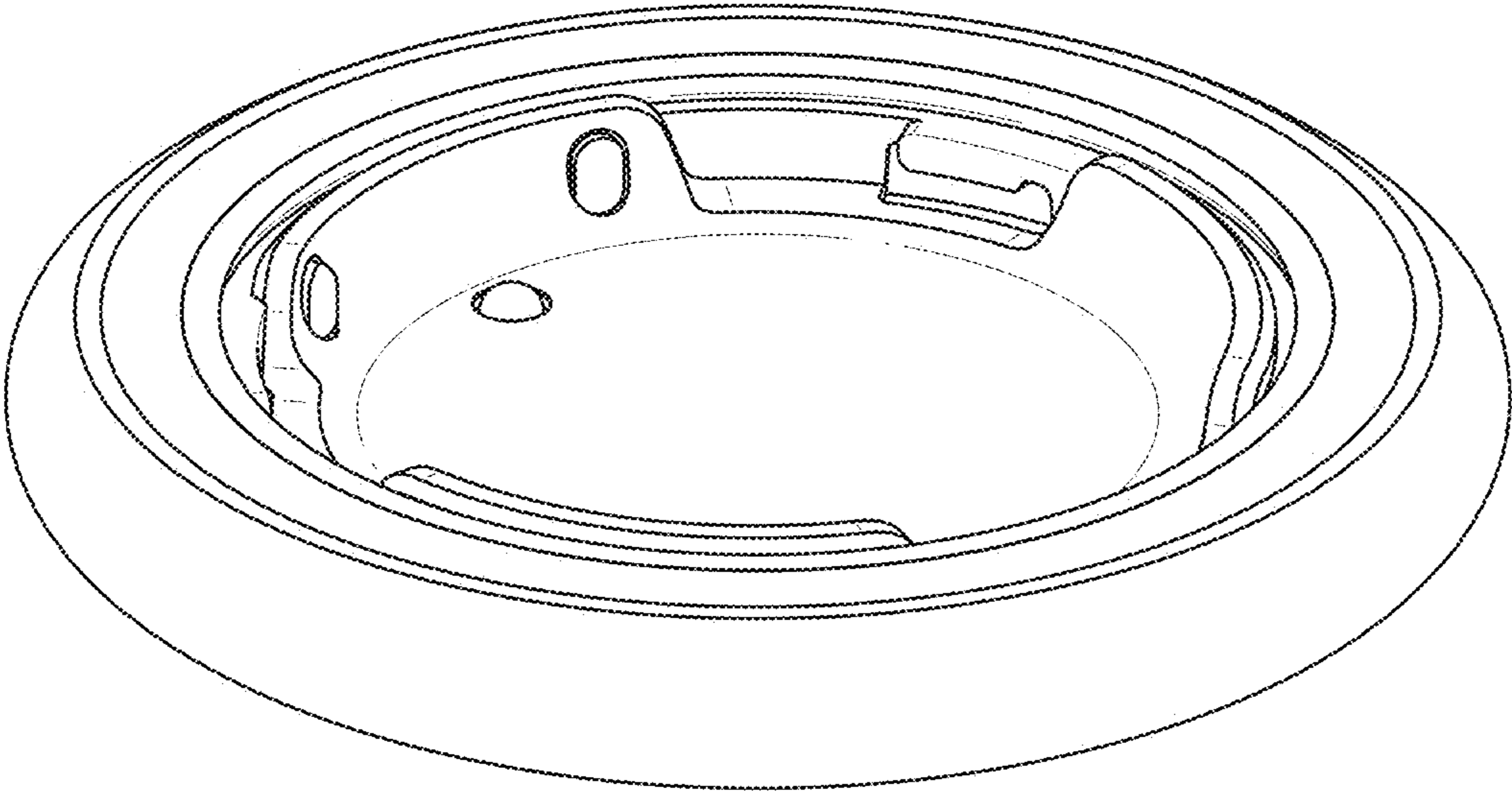


FIG. 2



FIG. 3

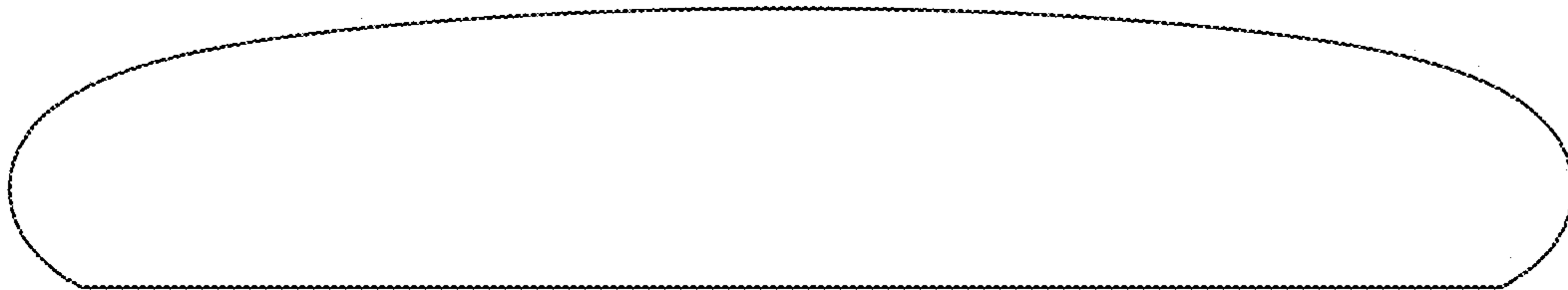


FIG. 4



FIG. 5

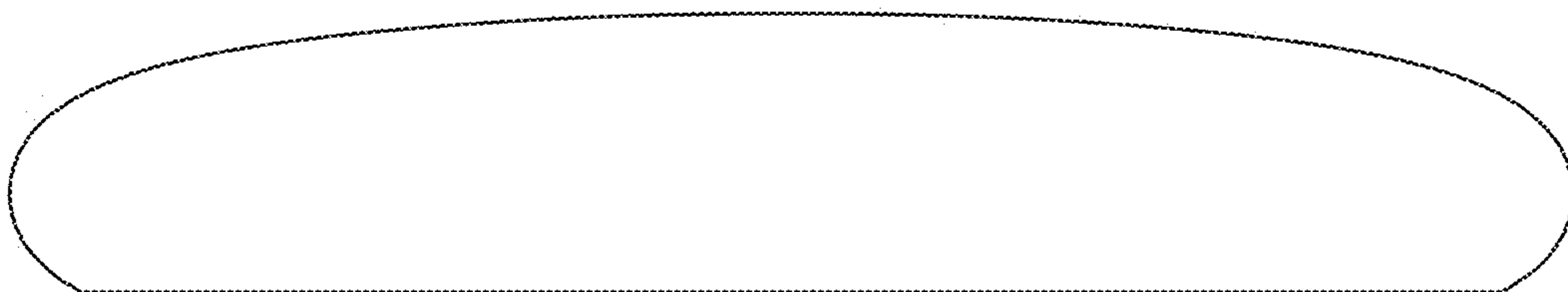


FIG. 6

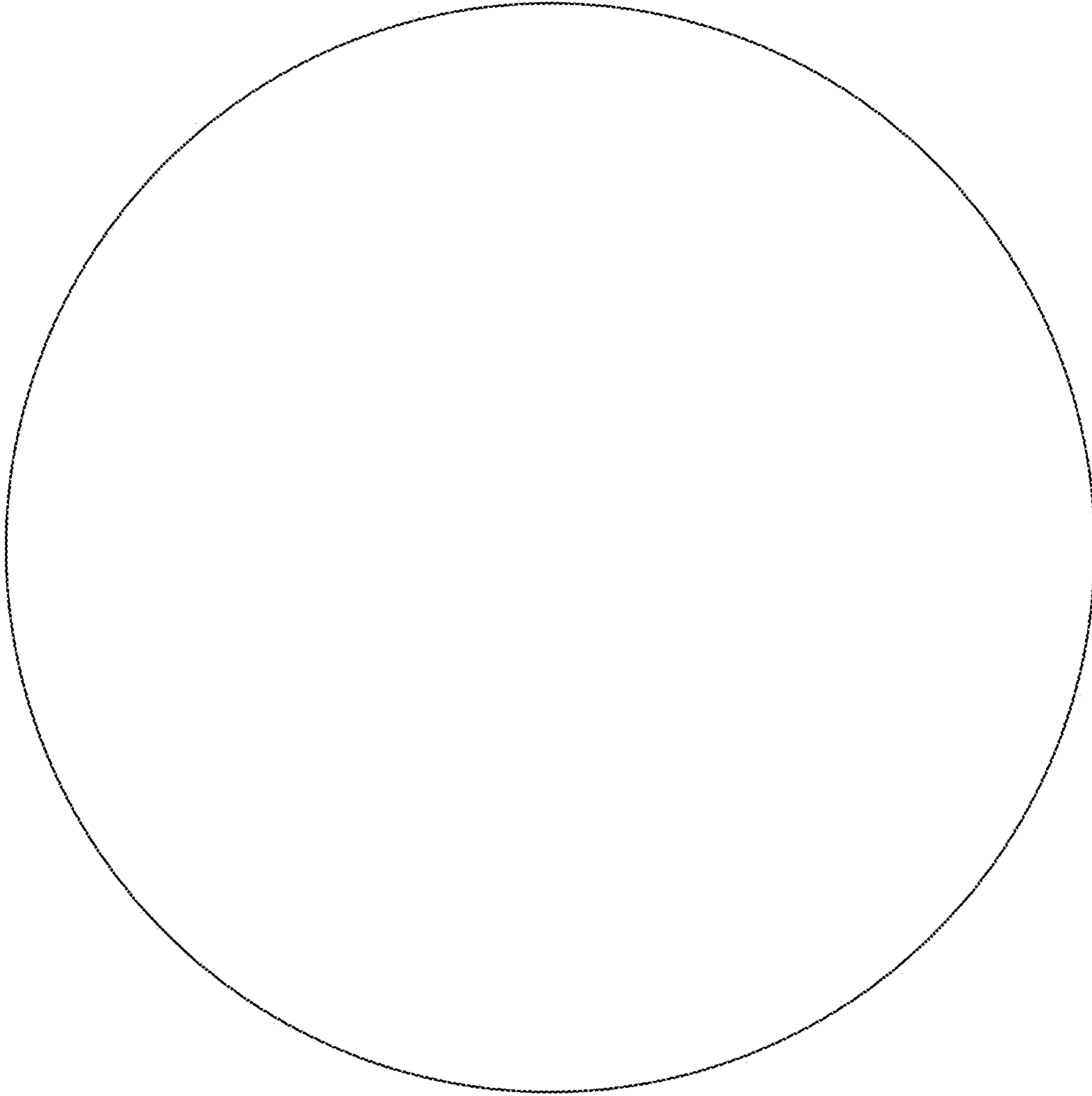


FIG. 7

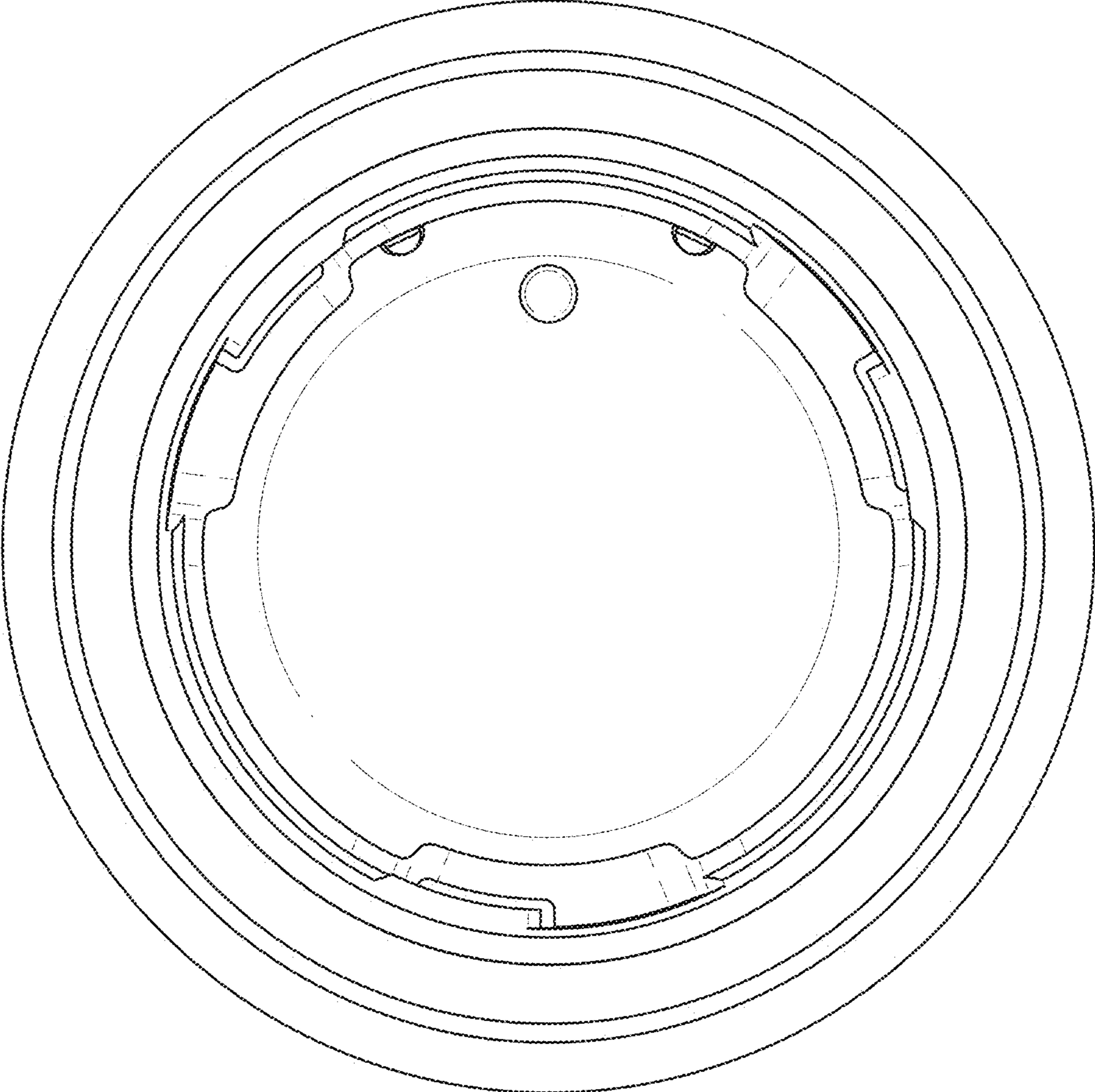


FIG. 8