



US00D947847S

(12) **United States Design Patent**  
**Xiao**

(10) **Patent No.:** **US D947,847 S**

(45) **Date of Patent:** **\*\* Apr. 5, 2022**

(54) **WIRELESS COMPUTER MOUSE**

(71) Applicant: **SEENDA Technology Co., Ltd.**,  
Shenzhen (CN)

(72) Inventor: **Hao Xiao**, Shenzhen (CN)

(\*\*) Term: **15 Years**

(21) Appl. No.: **29/749,894**

(22) Filed: **Sep. 9, 2020**

(51) **LOC (13) Cl.** ..... **14-02**

(52) **U.S. Cl.**

USPC ..... **D14/408**; D14/402

(58) **Field of Classification Search**

USPC ..... D14/402-411, 356, 388, 389, 383-385,  
D14/417, 426; 345/156-167; 463/36-38;  
358/471, 473; 273/148 B

CPC ..... G06F 3/03543; G06F 2203/0333; G06F  
3/039; G06F 3/038; G06F 2203/0384

See application file for complete search history.

(56) **References Cited**

**U.S. PATENT DOCUMENTS**

D651,604 S *	1/2012	Fischer	.....	D14/408
D667,408 S *	9/2012	Lim	.....	D14/408
D737,274 S *	8/2015	Kuo	.....	D14/408
D863,302 S *	10/2019	Cheung	.....	D14/408
D882,574 S *	4/2020	Zhan	.....	D14/408

D898,741 S *	10/2020	Wolfson	.....	D14/408
D904,407 S *	12/2020	Xu	.....	D14/408
D908,701 S *	1/2021	Xu	.....	D14/408
D911,339 S *	2/2021	Sitoh	.....	D14/408
D912,051 S *	3/2021	Chan	.....	D14/408
D918,205 S *	5/2021	Dearsley	.....	D14/408

\* cited by examiner

*Primary Examiner* — Austin Murphy

(74) *Attorney, Agent, or Firm* — Prakash Nama; Global IP Services, PLLC

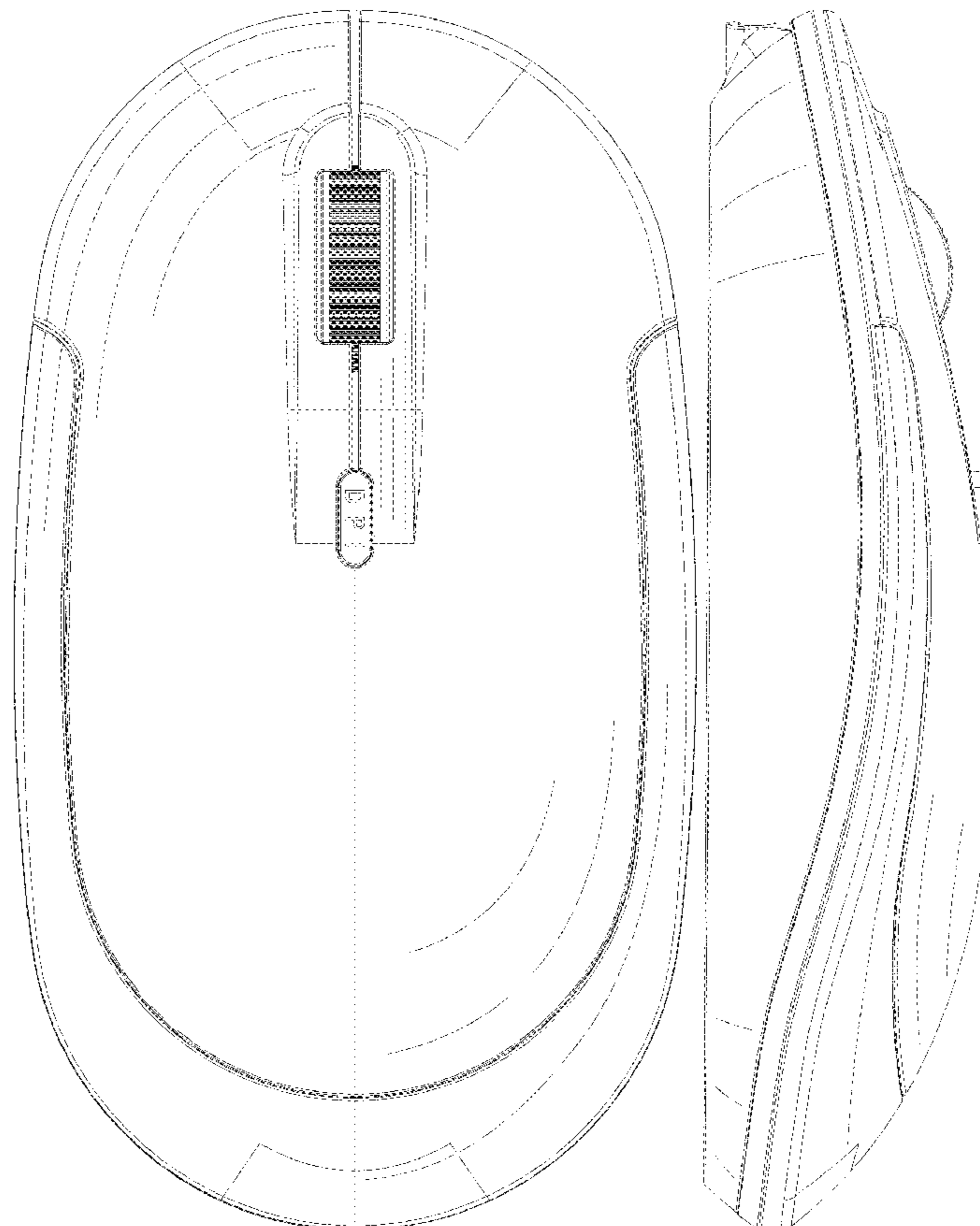
(57) **CLAIM**

The ornamental design for a wireless computer mouse, as shown.

**DESCRIPTION**

FIG. 1 is a front elevational view of a wireless computer mouse showing my new design;  
FIG. 2 is a rear elevational view thereof;  
FIG. 3 is a top plan view thereof;  
FIG. 4 is a bottom plan view thereof;  
FIG. 5 is a right side view thereof;  
FIG. 6 is a left side view thereof;  
FIG. 7 is a perspective view thereof; and,  
FIG. 8 is another perspective view thereof.

**1 Claim, 6 Drawing Sheets**



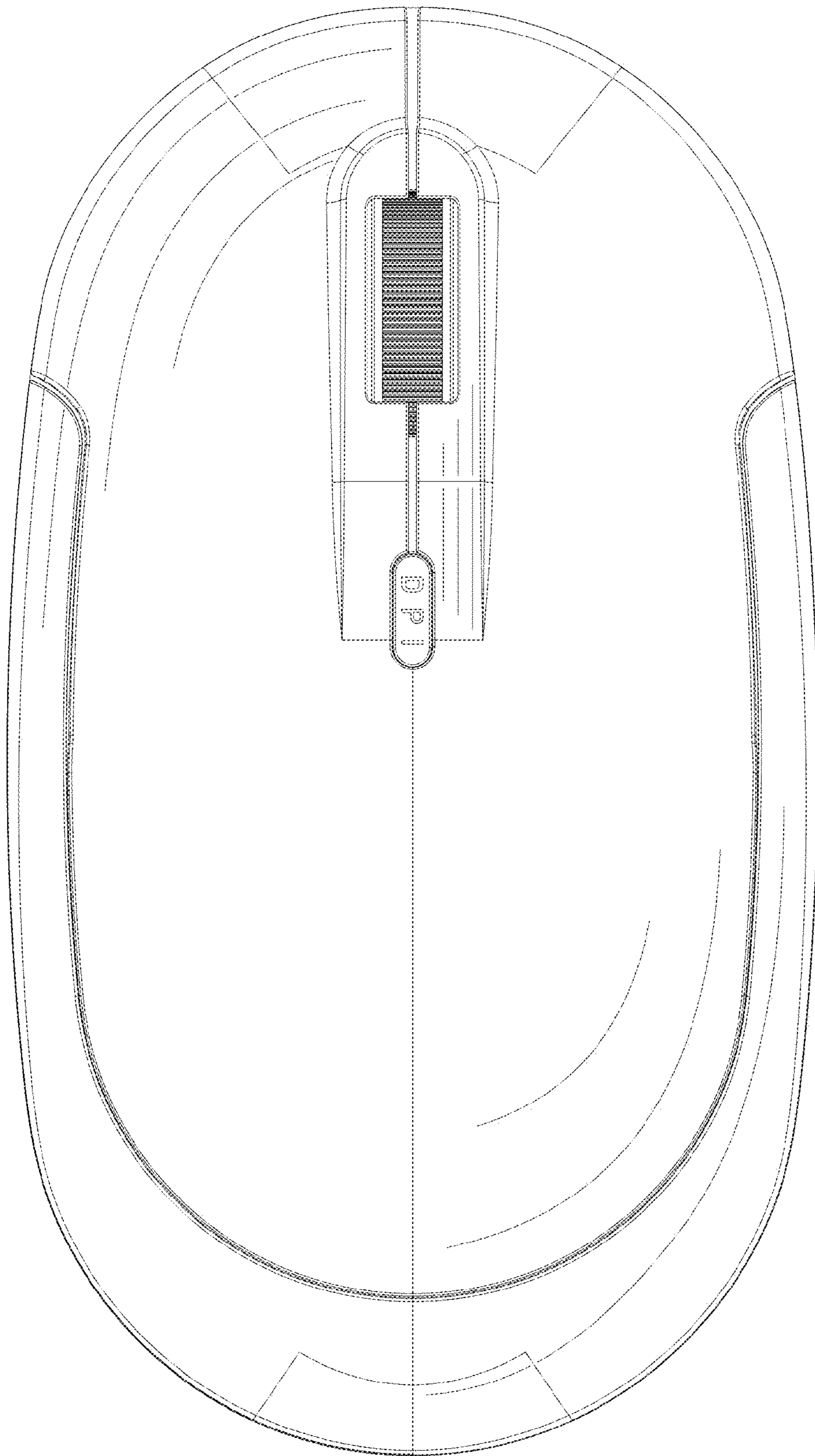


Fig. 1

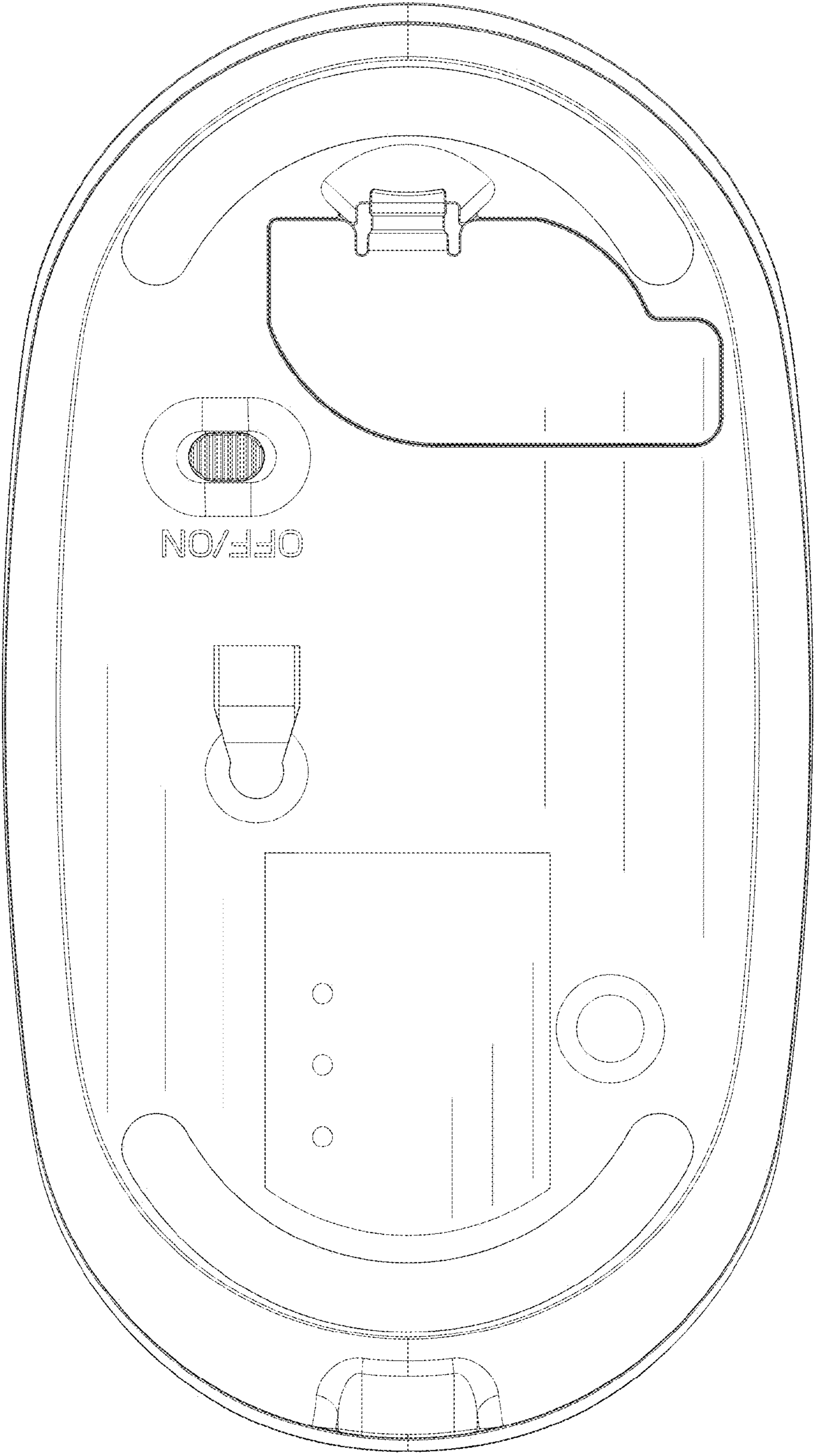


Fig.2

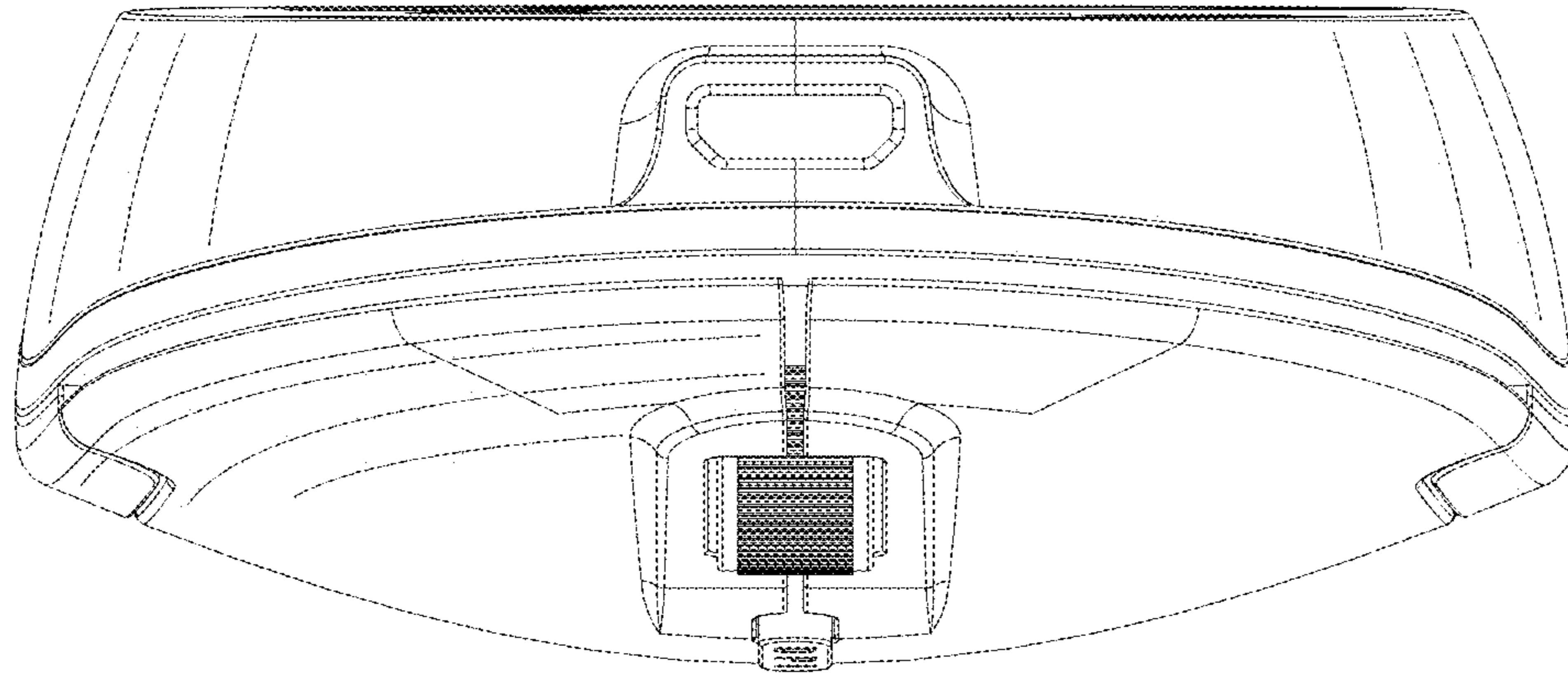


Fig.3

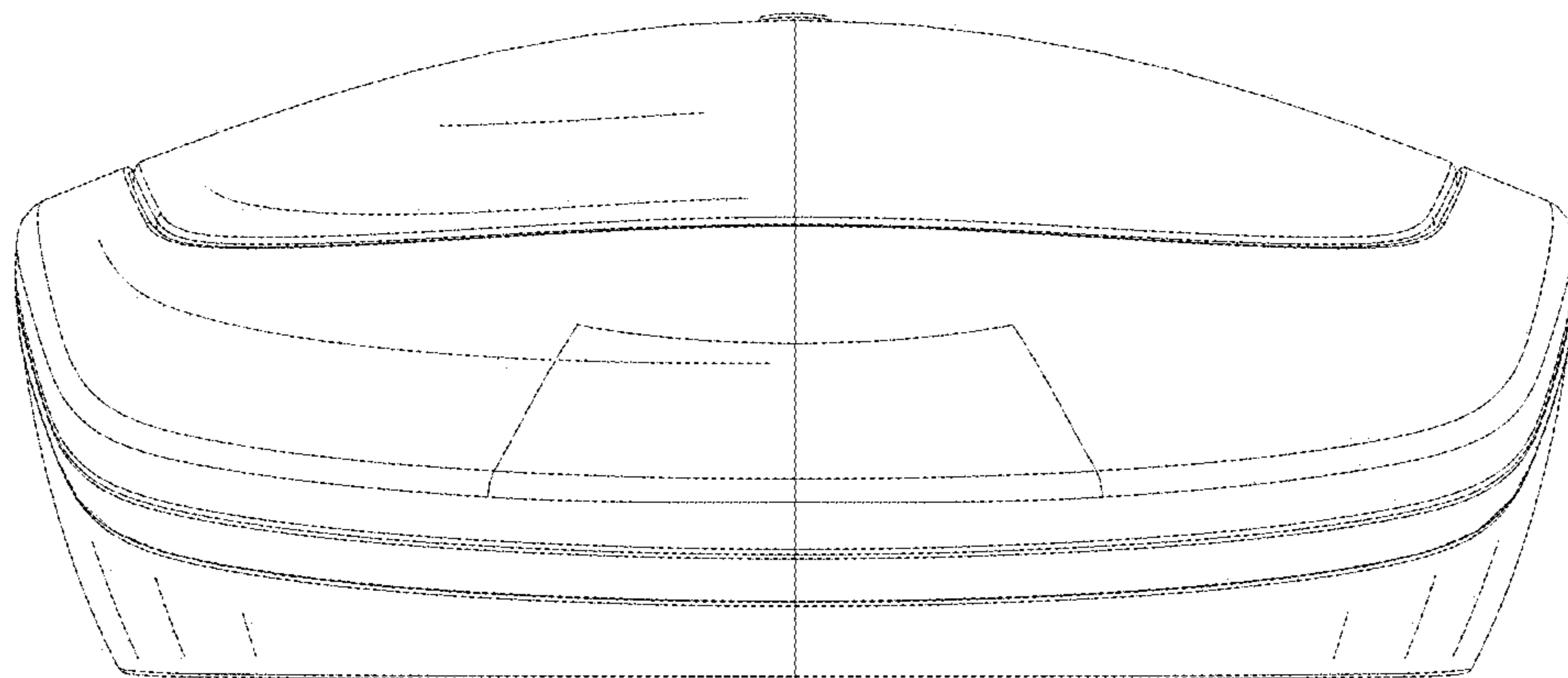


Fig.4

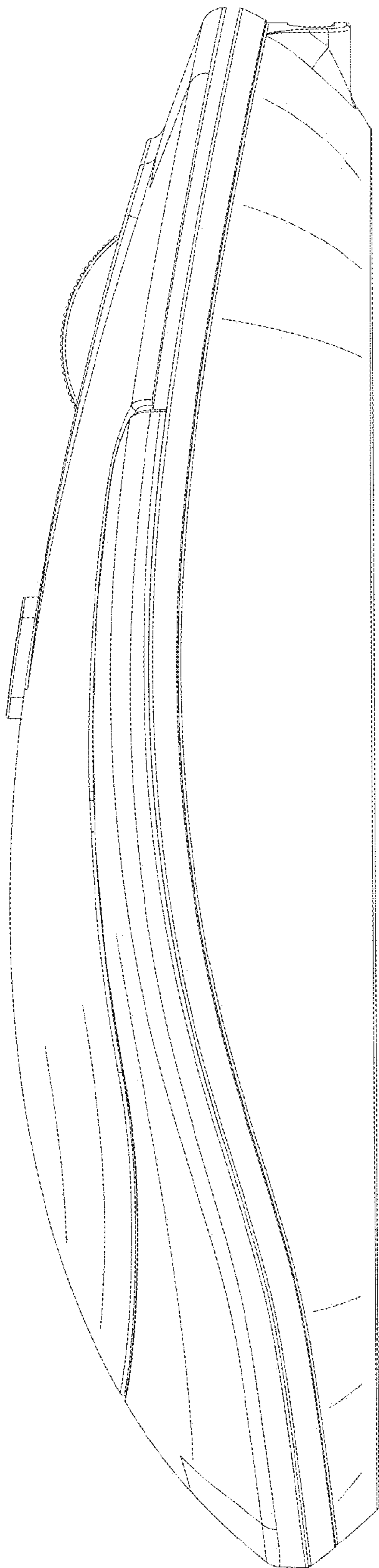


Fig. 5

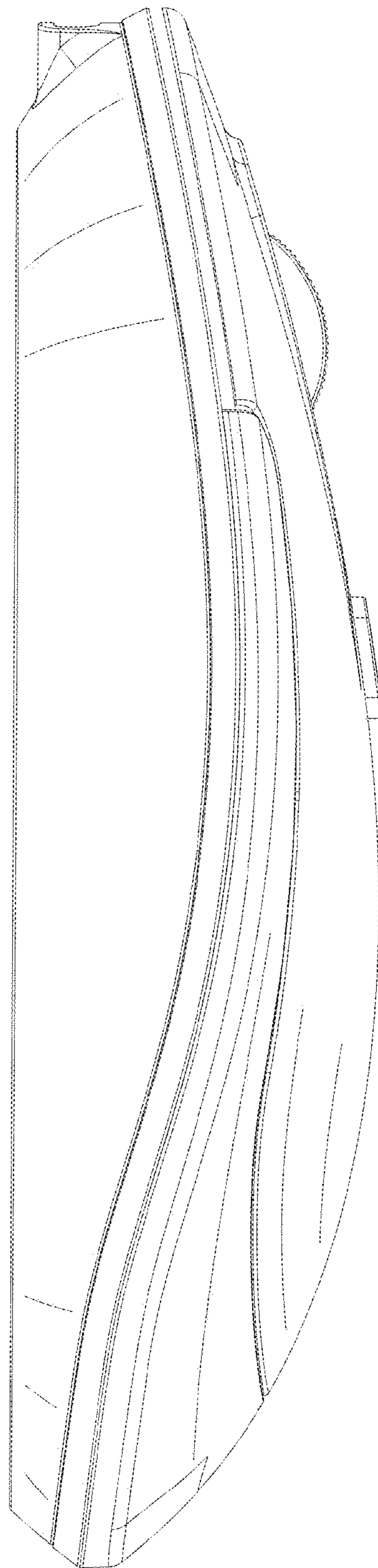


Fig. 6

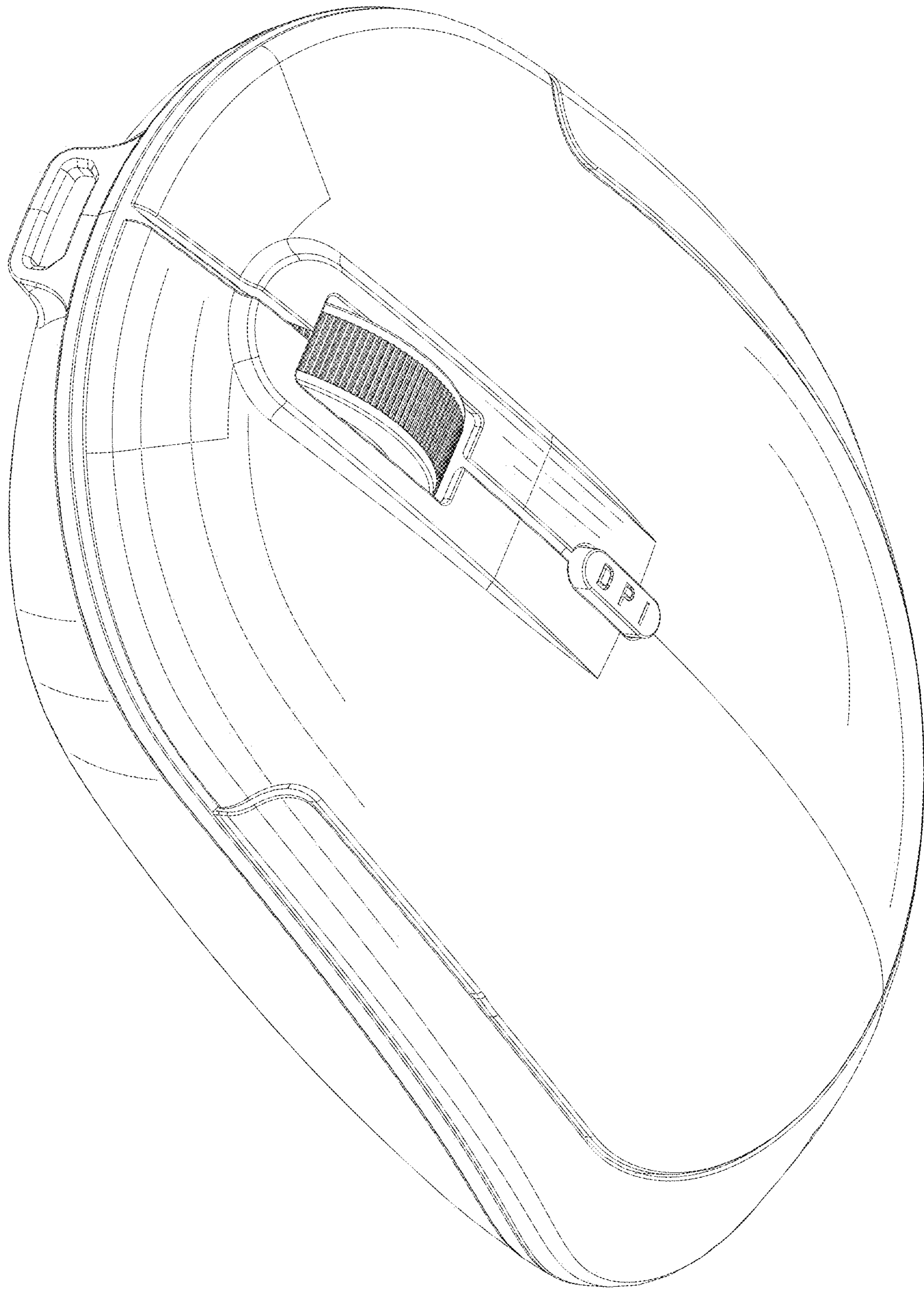


Fig.7

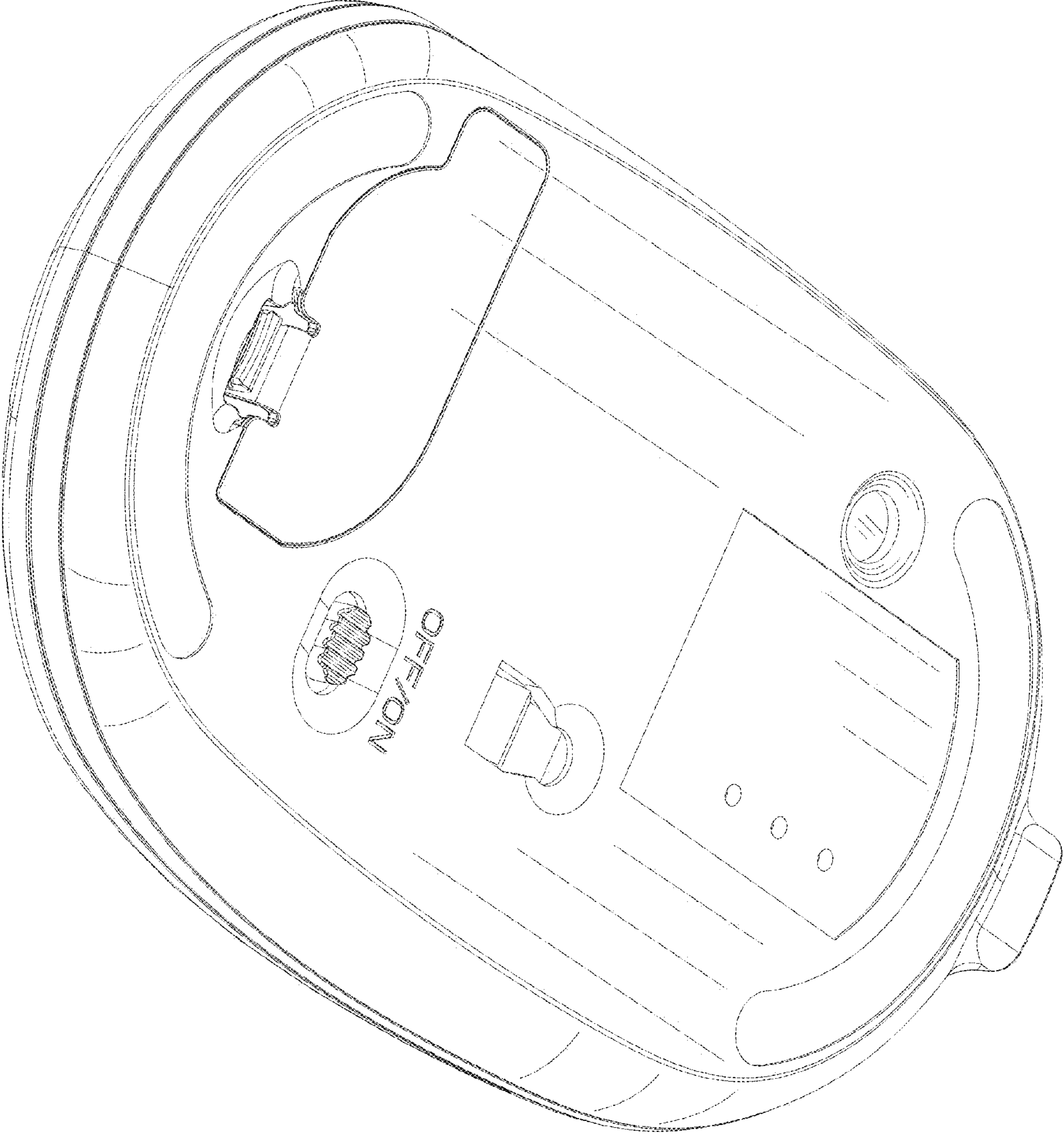


Fig.8