



US00D947844S

(12) **United States Design Patent** (10) **Patent No.:** **US D947,844 S**
Lee (45) **Date of Patent:** **** Apr. 5, 2022**

(54) **FOLDABLE DISPLAY**
(71) Applicant: **Samsung Electronics Co., Ltd.,**
Suwon-si (KR)
(72) Inventor: **Sang Chul Lee,** Guri-si (KR)
(73) Assignee: **Samsung Electronics Co., Ltd.,**
Suwon-si (KR)

2,782,056 A * 2/1957 Allegretti B42D 1/04
281/21.1
D418,160 S * 12/1999 Gunasekera D19/27
D544,852 S * 6/2007 Takamori D14/138 AA
D559,843 S * 1/2008 Takamori D14/248
D560,216 S * 1/2008 Takamori D14/248
(Continued)

(**) Term: **15 Years**
(21) Appl. No.: **29/690,598**
(22) Filed: **May 9, 2019**

FOREIGN PATENT DOCUMENTS
KR 3020180053232 * 7/2019

(30) **Foreign Application Priority Data**
Nov. 16, 2018 (KR) 30-2018-0053232
(51) **LOC (13) Cl.** **14-02**
(52) **U.S. Cl.**
USPC **D14/345; D14/341**
(58) **Field of Classification Search**
USPC D14/125, 126, 127-137, 138 AA,
D14/138 AB, 138 AC, 138 AD, 138 C,
D14/138 G, 138 R, 147, 218, 239, 240,
D14/247, 248, 315-318, 341-347, 371,
D14/374, 388-389, 420, 426, 496,
D14/203.1-203.8; D28/64.1; D6/308,
D6/310; D10/50, 65, 104.1; D18/6-7;
D19/26, 59-60; D21/324, 329-330, 332
CPC G06F 1/1613; G06F 1/1626; G06F 3/0488;
G06F 3/04886; H04M 1/725; H04M
1/0202; H04M 1/0266
See application file for complete search history.

OTHER PUBLICATIONS
Here's When You Can . . . Australia, Mar. 17, 2020 [online],
[retrieved Oct. 6, 2020], Retrieved from Internet, URL: <https://
www.gq.com.au/entertainment/tech/everything-we-know-so-far-
about-the-samsung-galaxy-z-flip/news-story/
bc106be1960469f7ad64f2566b0f74%E2%80%A6> (Year: 2020).*
(Continued)

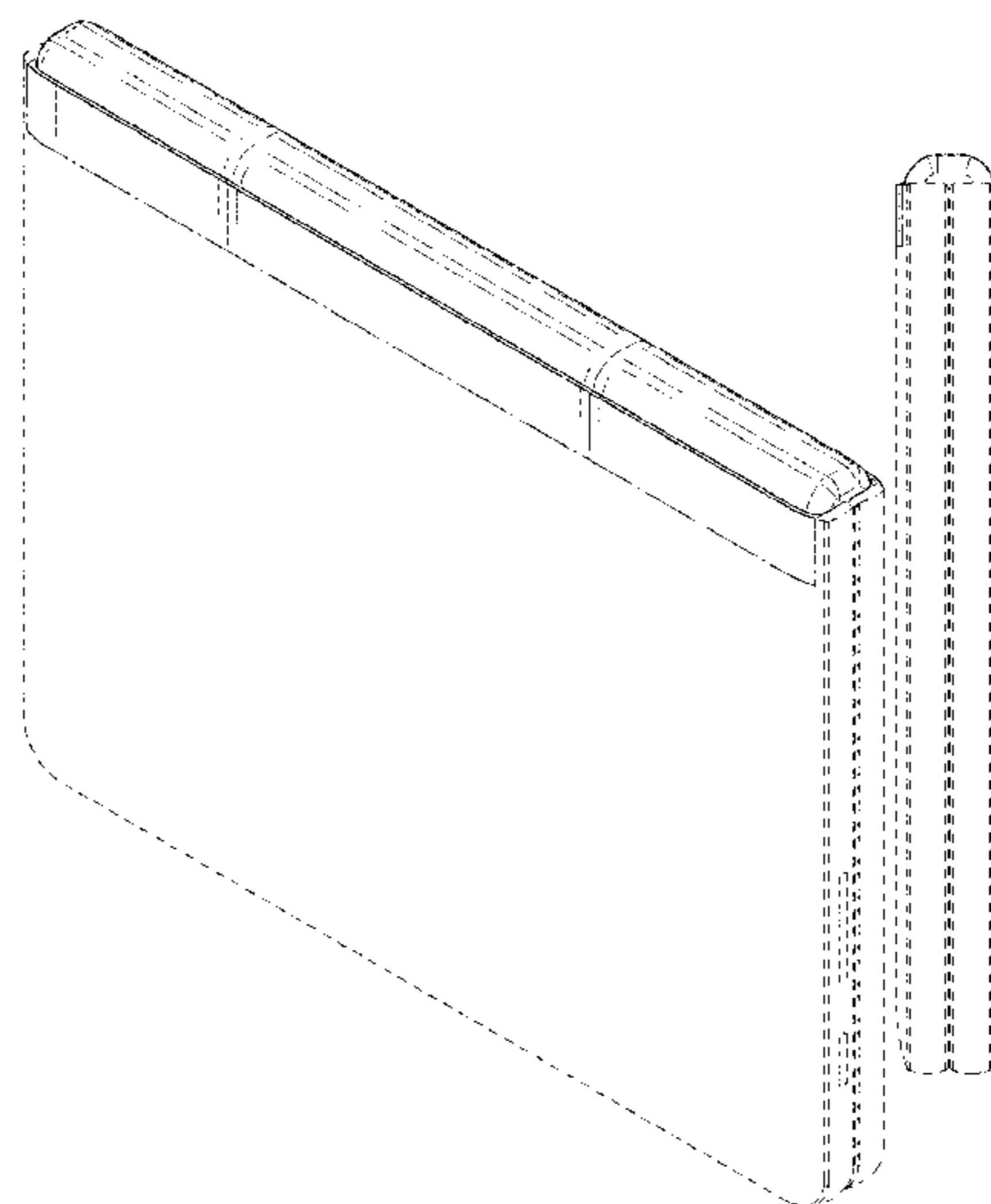
Primary Examiner — Barbara Fox
Assistant Examiner — Aram Kwon
(74) Attorney, Agent, or Firm — NSIP Law

(56) **References Cited**
U.S. PATENT DOCUMENTS
1,975,628 A * 10/1934 Ballard B42D 3/02
281/28
2,284,312 A * 5/1942 Walraven B42D 3/06
281/29

(57) **CLAIM**
I claim the ornamental design for a foldable display, as
shown and described.

DESCRIPTION
FIG. 1 is a front perspective view of a foldable display
showing my new design;
FIG. 2 is a front view thereof;
FIG. 3 is a rear view thereof;
FIG. 4 is a left-side view thereof;
FIG. 5 is a right-side view thereof;
FIG. 6 is a top view thereof; and,
FIG. 7 is a bottom view thereof.
The broken lines in the figures depict portions of the foldable
display which form no part of the claimed design.
The dot-dash broken lines in the figures represent a bound-
ary of the claimed design and form no part thereof.

1 Claim, 7 Drawing Sheets



(56)

References Cited

U.S. PATENT DOCUMENTS

D584,726 S * 1/2009 Morita D14/341
 D590,795 S * 4/2009 Tkachuk D14/138 AB
 D723,541 S * 3/2015 Sohn D14/315
 D723,542 S * 3/2015 Sohn D14/315
 D746,285 S * 12/2015 Okabe D14/345
 D749,576 S * 2/2016 Park D14/345
 D760,708 S * 7/2016 Hirst D14/250
 D788,774 S * 6/2017 Seo D14/345
 D791,725 S * 7/2017 Lee D14/138 AB
 D791,753 S * 7/2017 Bae D14/248
 D797,729 S * 9/2017 Park D14/345
 D798,257 S * 9/2017 Choo D14/138 AB
 RE46,680 E * 1/2018 Sohn D14/315
 D810,730 S * 2/2018 Cheng D14/315
 RE46,801 E * 4/2018 Sohn D14/315
 RE46,812 E * 5/2018 Sohn D14/315
 D825,518 S * 8/2018 Kikuchi D14/138 AB
 D859,341 S * 9/2019 Kang D14/138 AB
 D902,901 S * 11/2020 Kim D14/248
 D902,902 S * 11/2020 Kim D14/248
 D902,903 S * 11/2020 Kim D14/248
 D902,904 S * 11/2020 Kim D14/248
 D903,621 S * 12/2020 Kim D14/138 AB
 D910,619 S * 2/2021 Lim D14/345

D910,620 S * 2/2021 Lee D14/345
 D910,622 S * 2/2021 Lee D14/345
 2013/0089391 A1 * 4/2013 Bramon B42B 5/123
 412/9
 2016/0147263 A1 * 5/2016 Choi G06F 1/1626
 361/679.3
 2017/0357289 A1 * 12/2017 Ahn G06F 1/1652
 2018/0181257 A1 * 6/2018 Wang G06F 3/0488
 2019/0152249 A1 * 5/2019 Fukuda B42C 9/0012
 2019/0166703 A1 * 5/2019 Kim G06F 1/1679

OTHER PUBLICATIONS

Samsung's Galaxy Z Fold 2, Sep. 1, 2020 [online], [retrieved Oct. 6, 2020], Retrieved from Internet, URL: <<https://www.theverge.com/2020/9/1/21407750/samsungs-galaxy-z-fold-2-price-release-date-hinge-screen-durability>> (Year: 2020).*

Samsung's Galaxy Z Flip, Feb. 7, 2020 [online], [retrieved Oct. 6, 2020], Retrieved from Internet, URL: <<https://mobilesyrup.com/2020/02/07/samsungs-galaxy-z-flip-first-foldable-smartphone-worth-buying/>> (Year: 2020).*

Saware Book Binding, Dec. 17, 2017 [online], [retrieved Oct. 14, 2020], Retrieved from Internet, URL: <<https://saware-binders.business.site/posts/5463512831822282890?hl=en-US>> (Year: 2017).*

* cited by examiner

FIG. 1

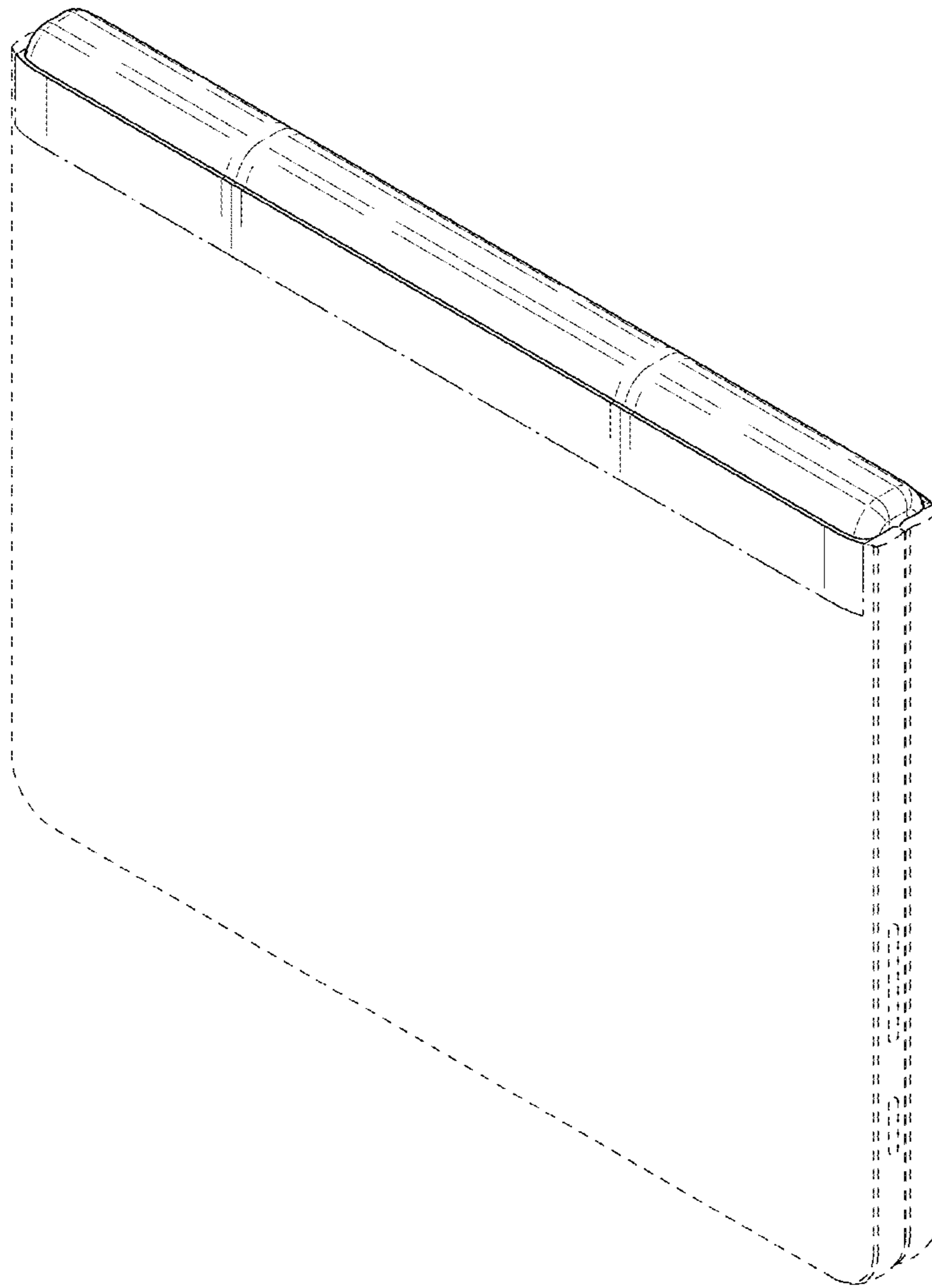


FIG. 2

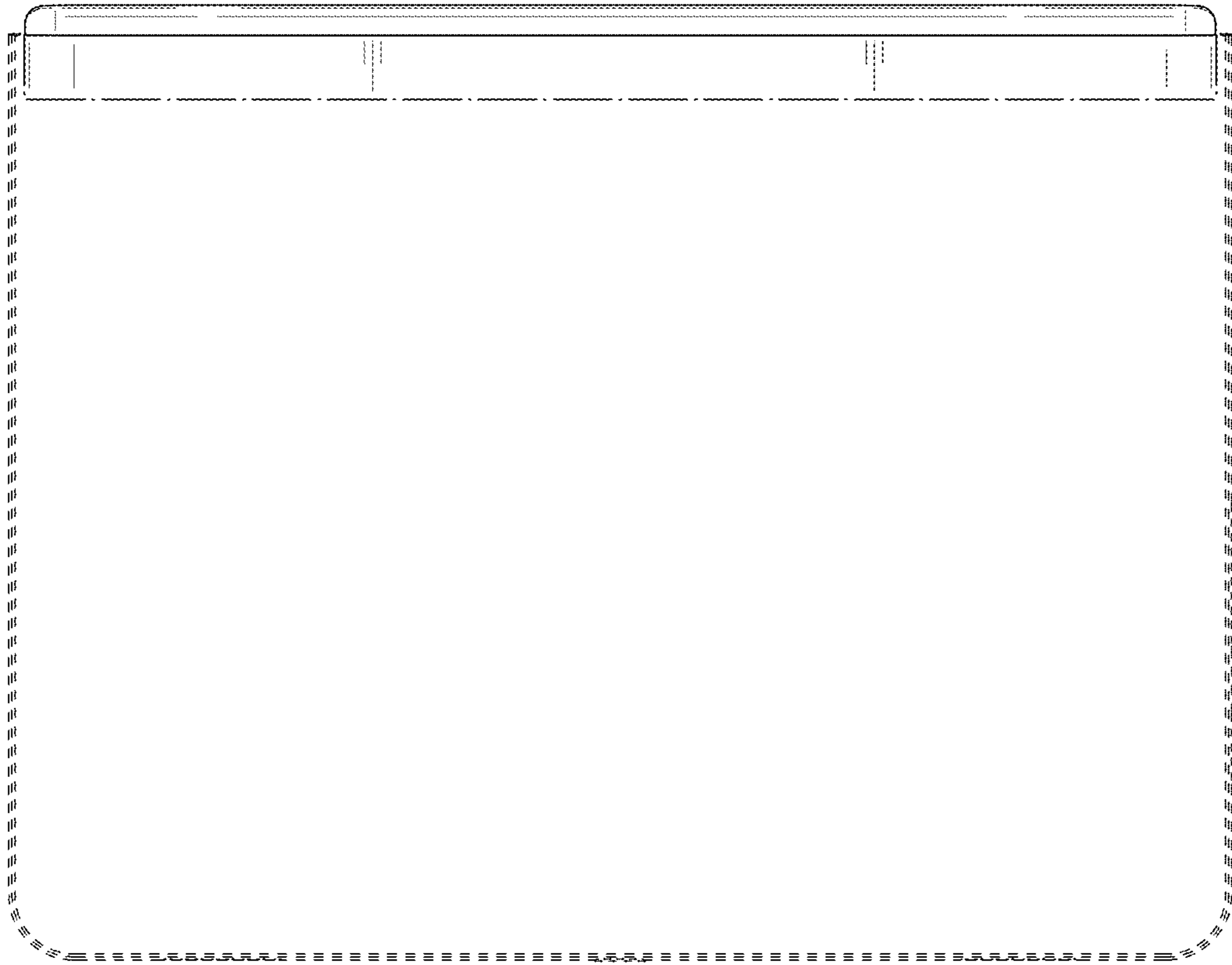


FIG. 3

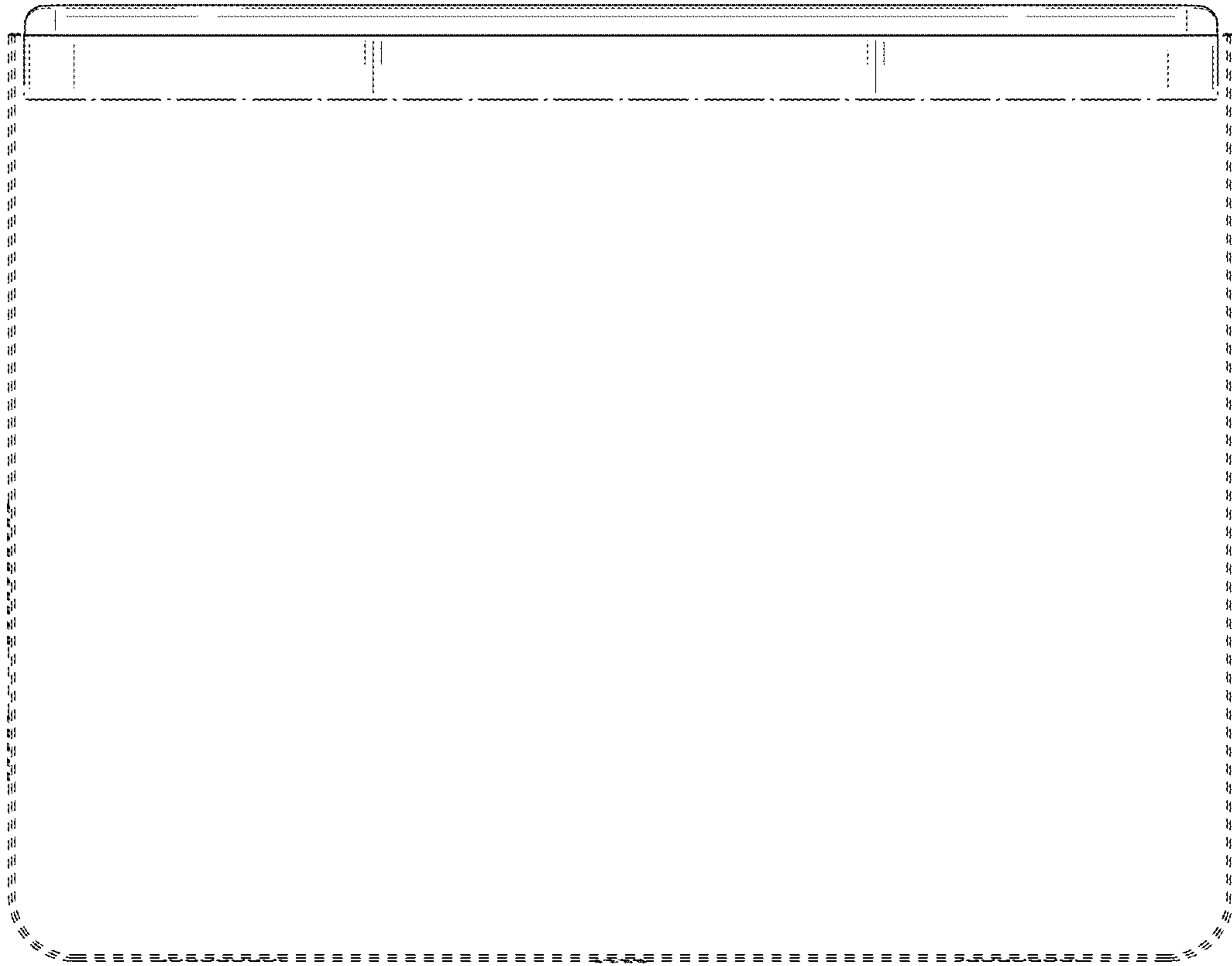


FIG. 4

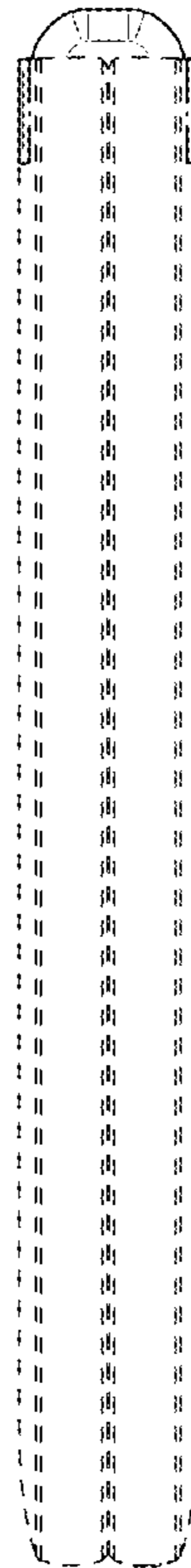


FIG. 5

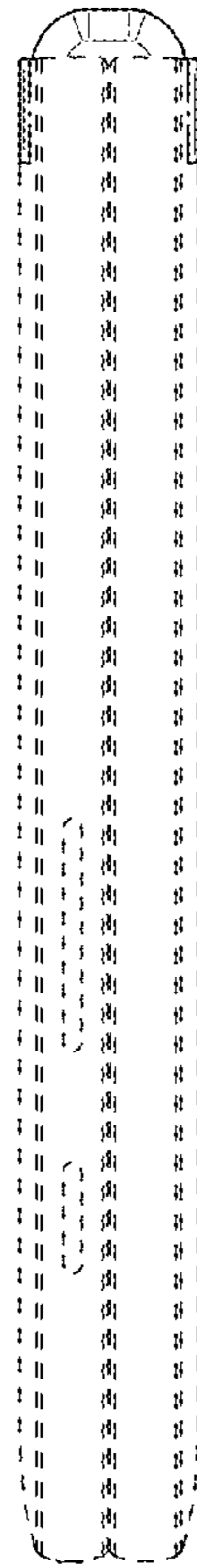


FIG. 6

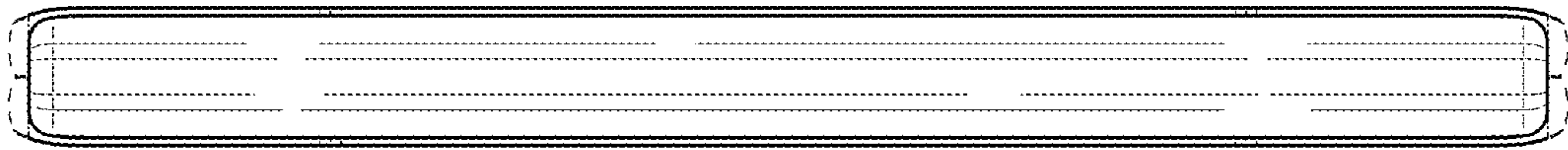


FIG. 7

