



US00D947840S

(12) **United States Design Patent** (10) **Patent No.:** **US D947,840 S**
Akana et al. (45) **Date of Patent:** **** Apr. 5, 2022**

(54) **WEARABLE DEVICE**

(71) Applicant: **Apple Inc.**, Cupertino, CA (US)

(72) Inventors: **Jody Akana**, San Francisco, CA (US); **Bartley K. Andre**, Palo Alto, CA (US); **Shota Aoyagi**, San Francisco, CA (US); **Anthony Michael Ashcroft**, San Francisco, CA (US); **Jeremy Bataillou**, San Francisco, CA (US); **Daniel J. Coster**, San Francisco, CA (US); **Daniele De Iuliis**, San Francisco, CA (US); **M. Evans Hankey**, San Francisco, CA (US); **Julian Hoenig**, San Francisco, CA (US); **Richard P. Howarth**, San Francisco, CA (US); **Jonathan P. Ive**, San Francisco, CA (US); **Duncan Robert Kerr**, San Francisco, CA (US); **Marc A. Newson**, London (GB); **Matthew Dean Rohrbach**, San Francisco, CA (US); **Peter Russell-Clarke**, San Francisco, CA (US); **Benjamin Andrew Shaffer**, San Jose, CA (US); **Mikael Silvano**, San Francisco, CA (US); **Christopher J. Stringer**, Woodside, CA (US); **Eugene Antony Whang**, San Francisco, CA (US); **Rico Zörkendörfer**, San Francisco, CA (US)

(73) Assignee: **Apple Inc.**, Cupertino, CA (US)

(**) Term: **15 Years**

(21) Appl. No.: **29/796,668**

(22) Filed: **Jun. 25, 2021**

Related U.S. Application Data

(63) Continuation of application No. 29/673,642, filed on Dec. 17, 2018, now Pat. No. Des. 923,621, which is (Continued)

(51) **LOC (13) Cl.** **14-02**

(52) **U.S. Cl.**
USPC **D14/344**

(58) **Field of Classification Search**
USPC ... D14/138 R, 144, 341, 344, 358, 388, 218, D14/485-495; D10/30-39, 70, 98;
(Continued)

(56) **References Cited**

U.S. PATENT DOCUMENTS

D719,123 S 12/2014 Park et al.
D724,469 S 3/2015 Akana et al.
(Continued)

FOREIGN PATENT DOCUMENTS

CN 303518893 12/2015
CN 303590256 2/2016
(Continued)

OTHER PUBLICATIONS

“Everything you want in an Apple Watch. In looks you’ll love.” apple.com, available at least as early as Sep. 16, 2020. <<https://www.apple.com/shop/buy-watch/apple-watch-se>>.

(Continued)

Primary Examiner — Calvin E Vansant

(74) *Attorney, Agent, or Firm* — Sterne, Kessler, Goldstein & Fox P.L.L.C.

(57) **CLAIM**

The ornamental design for a wearable device, as shown and described.

DESCRIPTION

This application also incorporates U.S. Design application Ser. No. 29/499,081, filed Aug. 11, 2014, herein in its entirety by reference thereto.

FIG. 1 is a front view of a wearable device showing the claimed design;

FIG. 2 is a rear view thereof;

FIG. 3 is a right side view thereof;

(Continued)

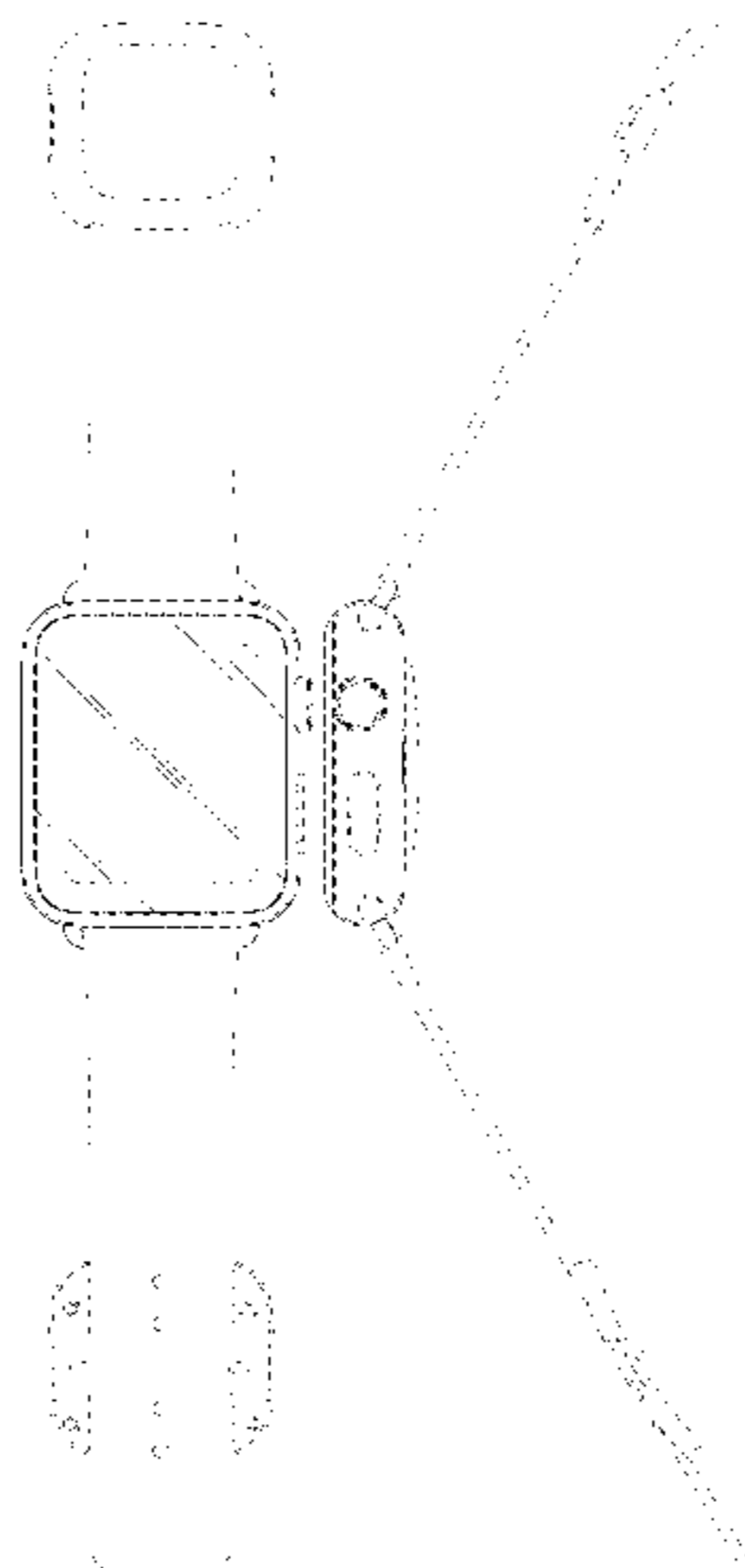


FIG. 4 is a left side view thereof;
 FIG. 5 is a top view thereof; and,
 FIG. 6 is a bottom view thereof.
 The broken lines in the figures show portions of the wearable device that form no part of the claimed design.

1 Claim, 4 Drawing Sheets

Related U.S. Application Data

a continuation of application No. 29/629,981, filed on Dec. 18, 2017, now Pat. No. Des. 836,102, which is a continuation of application No. 29/583,415, filed on Nov. 4, 2016, now Pat. No. Des. 805,513, which is a continuation of application No. 29/519,678, filed on Mar. 6, 2015, now Pat. No. Des. 771,037.

(58) **Field of Classification Search**

USPC D11/3, 4, 26, 93-94, 78.1, 79, 86;
 D24/167, 169, 186-187, 164
 CPC A41D 1/002; A41D 19/0034; G06F 1/04;
 G06F 1/08; G06F 1/10; G06F 1/14; G06F
 1/1626; G06F 1/1628; G06F 1/163; G06F
 1/1635; G06F 1/3203; G06Q 20/10;
 G06Q 20/12; G06Q 20/108; G06Q
 20/145; H04B 1/3833; H04B 1/385;
 H04B 1/3888; H04M 1/02; H04M 1/03;
 H04M 1/04; H04M 1/05; H04M 1/667;
 H04M 1/6058; Y02B 60/1217

See application file for complete search history.

(56) **References Cited**

U.S. PATENT DOCUMENTS

D747,979 S 1/2016 Babcock et al.
 D748,527 S 2/2016 Akana et al.

D751,550 S 3/2016 Solomon et al.
 D756,824 S 5/2016 Akana et al.
 D759,121 S 6/2016 Akana et al.
 D771,035 S 11/2016 Akana et al.
 D795,864 S 8/2017 Akana et al.
 D797,809 S 9/2017 Akana et al.
 D836,102 S 12/2018 Akana et al.
 D842,724 S 3/2019 Vandenbussche et al.
 D854,433 S 7/2019 Vandenbussche et al.
 D869,462 S 12/2019 Ke
 D895,614 S 9/2020 Vandenbussche et al.
 D895,615 S 9/2020 Vandenbussche et al.
 D915,398 S 4/2021 Yu et al.
 D917,467 S 4/2021 Akana et al.

FOREIGN PATENT DOCUMENTS

CN 303590257 2/2016
 CN 303590258 2/2016
 CN 304419763 12/2017
 CN 304498230 2/2018
 CN 304612355 5/2018
 CN 305580250 1/2020
 CN 305818513 6/2020
 CN 306051711 9/2020
 CN 306111602 10/2020
 CN 306209584 12/2020
 CN 306235641 12/2020
 CN 306313721 2/2021
 CN 306380759 3/2021
 CN 306449808 4/2021
 CN 306458843 4/2021
 CN 306458857 4/2021
 CN 306493853 4/2021
 CN 306529722 5/2021

OTHER PUBLICATIONS

“Wear it with pride.” apple.com, available at least as early as May 18, 2021. <<https://www.apple.com/shop/watch/bands>>.

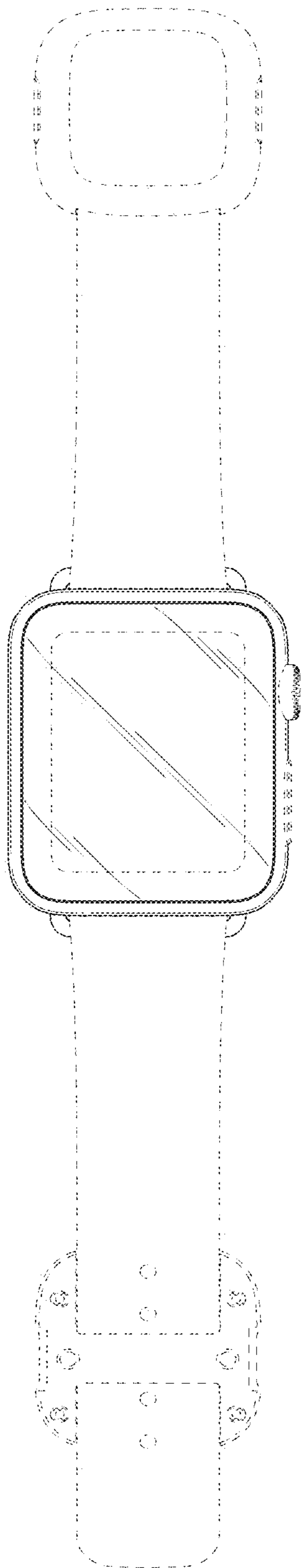


FIG. 1

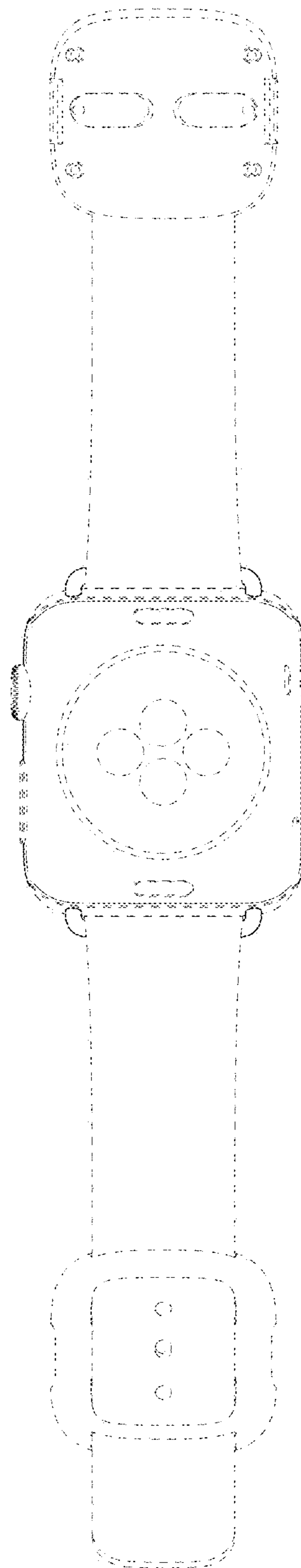


FIG. 2

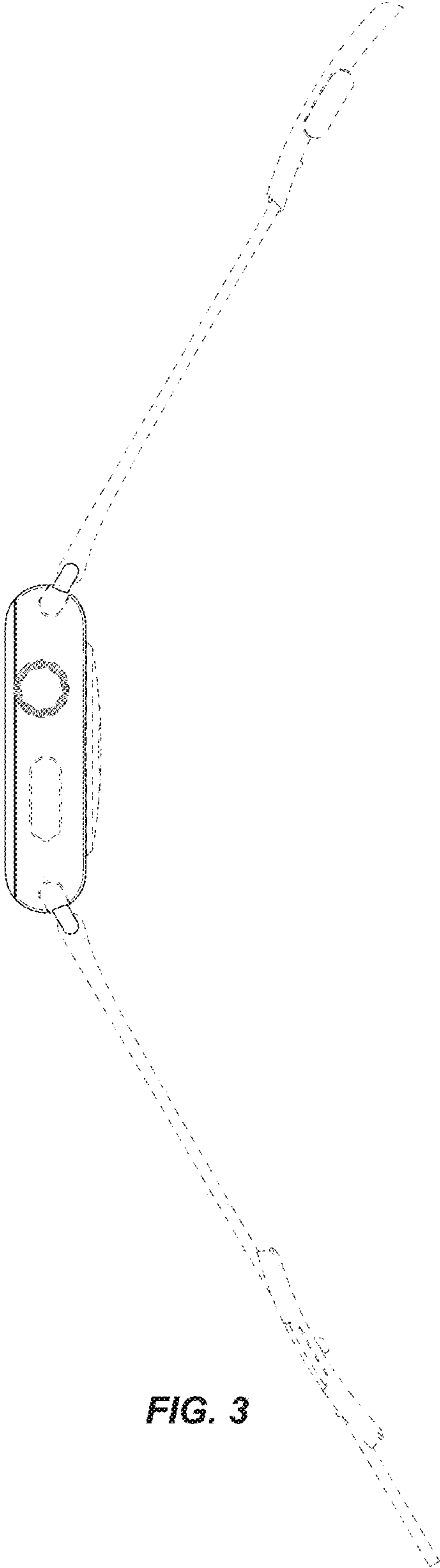


FIG. 3

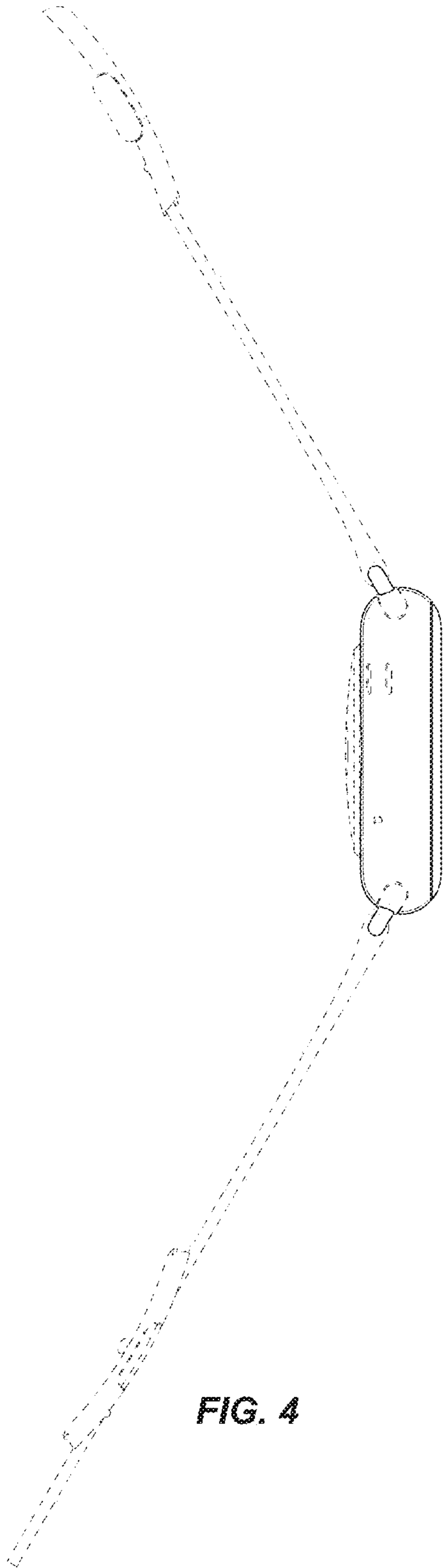


FIG. 4

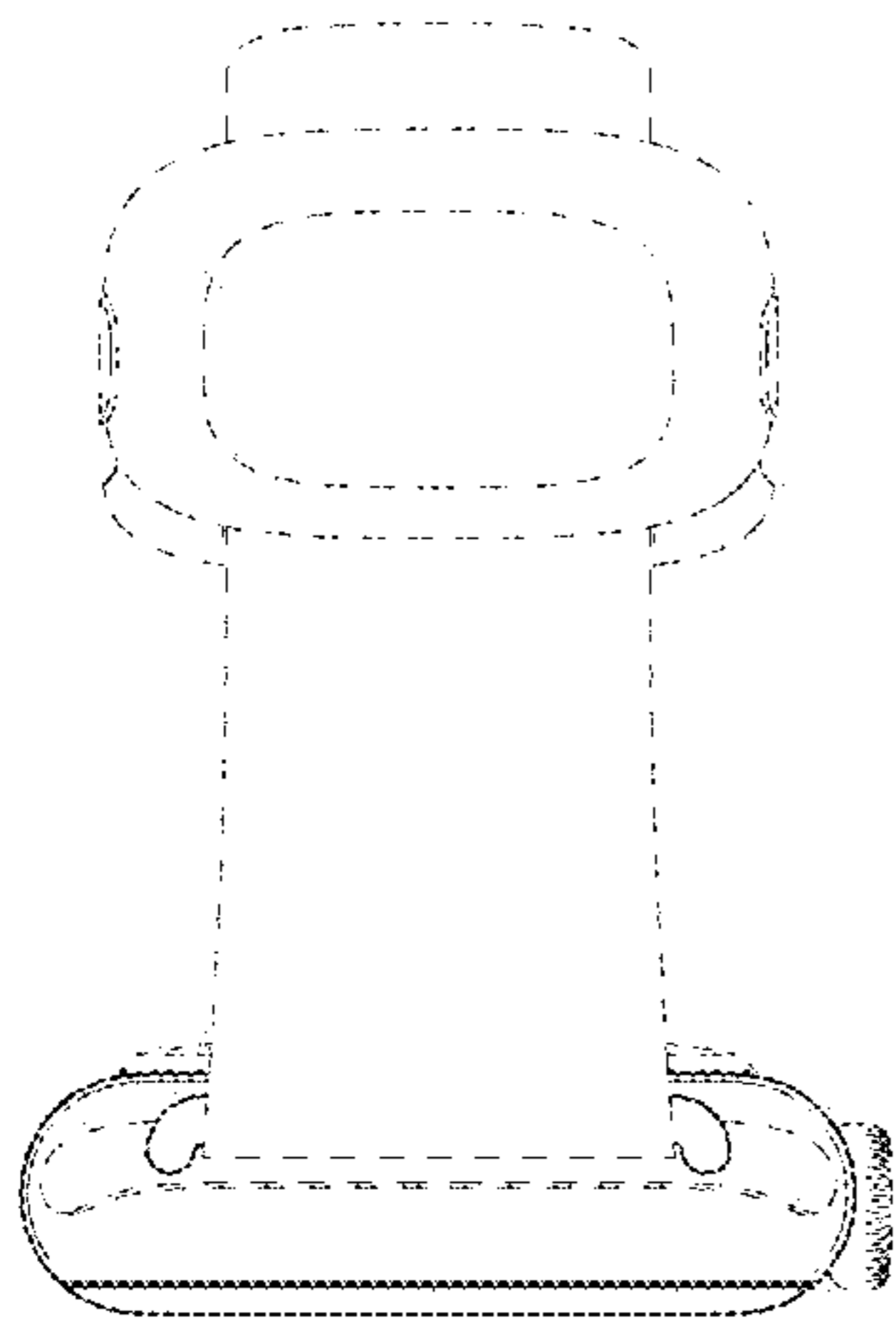


FIG. 5

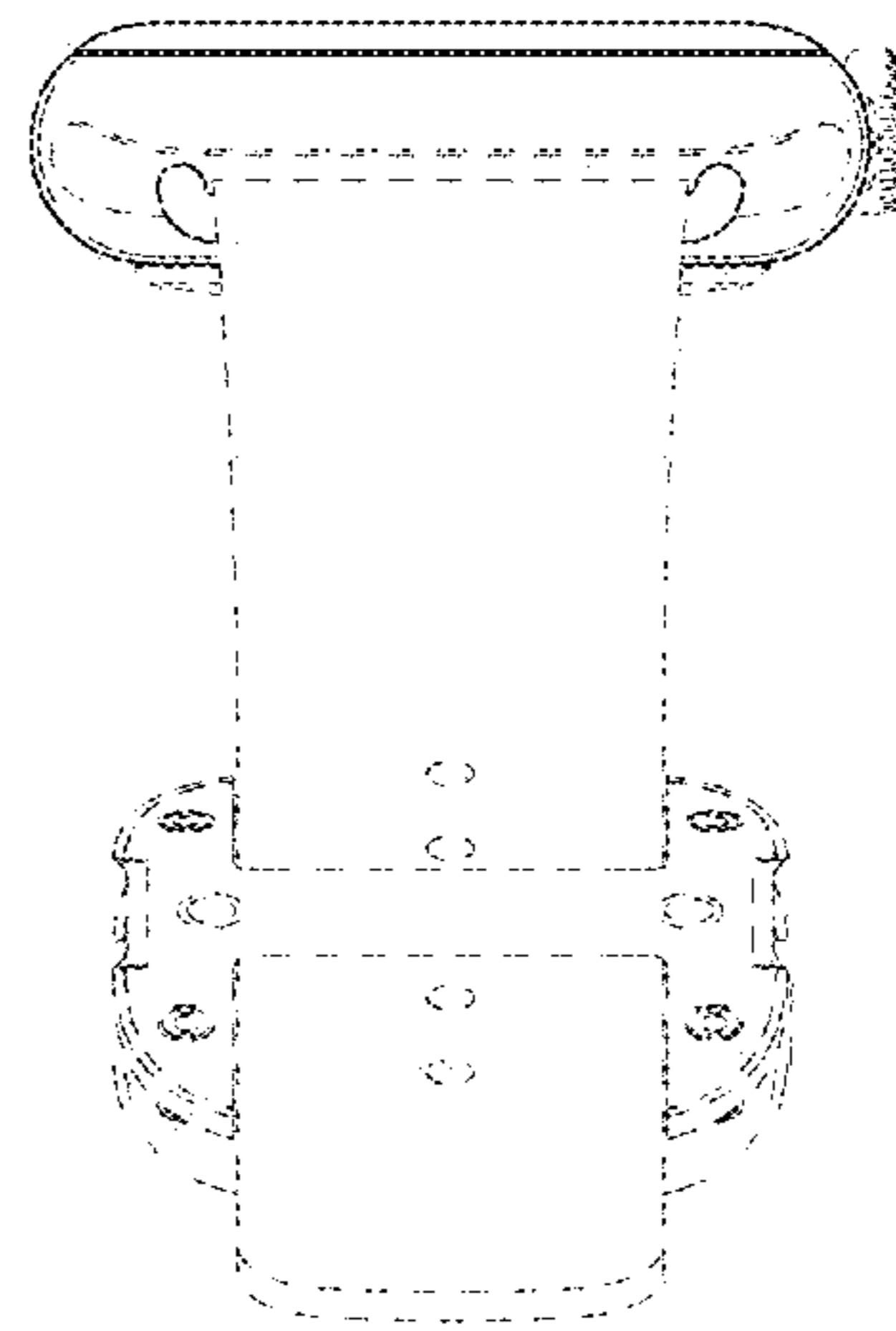


FIG. 6