

US00D947833S

(12) **United States Design Patent** (10) **Patent No.:** **US D947,833 S**
Bolmstrand (45) **Date of Patent:** **** Apr. 5, 2022**

(54) **INTERACTIVE TOUCH SCREEN DISPLAY FOR ROOM MANAGEMENT**

(71) Applicant: **Evoko Unlimited AB**, Nacka (SE)

(72) Inventor: **Per Bolmstrand**, Nacka (SE)

(73) Assignee: **EVOKO UNLIMITED AB**, Nacka (SE)

(**) Term: **15 Years**

(21) Appl. No.: **29/710,418**

(22) Filed: **Oct. 23, 2019**

(30) **Foreign Application Priority Data**

Apr. 23, 2019 (EM) 006392122

(51) **LOC (13) Cl.** **14-02**

(52) **U.S. Cl.**
USPC **D14/336**

(58) **Field of Classification Search**
USPC D24/185, 186; D14/336, 337, 373, 374,
D14/375, 376, 377, 125, 128, 129, 126,
D14/127, 371, 372, 341

(Continued)

(56) **References Cited**

U.S. PATENT DOCUMENTS

D396,222 S * 7/1998 Morgan D14/126
D454,565 S * 3/2002 Harriman D14/374

(Continued)

FOREIGN PATENT DOCUMENTS

EM 006392122-0001 * 2/2020
EM 006392122-0003 * 2/2020

(Continued)

OTHER PUBLICATIONS

Extron. Link: <https://www.extron.com/product/tls1025m#>. Visited Jul. 27, 2021. TLS 1025M 10" Wall Mount TouchLink Scheduling Panel. (Year: 2021).*

(Continued)

Primary Examiner — Lauren D McVey

(74) *Attorney, Agent, or Firm* — Cooper Legal Group, LLC; Ronald M. Kachmarik

(57) **CLAIM**

The ornamental design for an interactive touch screen display for room management, as shown and described.

DESCRIPTION

The patent or application file contains at least one drawing executed in color. Copies of this patent or patent application publication with color drawing(s) will be provided by the Office upon request and payment of the necessary fee.

FIG. 1 is a bottom front perspective view of an interactive touch screen display for room management, showing the new design in a first green color perimeter glow state;

FIG. 2 is a front, first side, top perspective view thereof;

FIG. 3 is a front, second side, top perspective view thereof;

FIG. 4 is a rear, second side, bottom perspective view thereof;

FIG. 5 is a rear, first side, top perspective view thereof in a second green color perimeter glow state;

FIG. 6 is bottom front perspective view of the interactive touch screen display for room management, showing the new design in a first red color perimeter glow state;

FIG. 7 is a front, first side, top perspective view thereof;

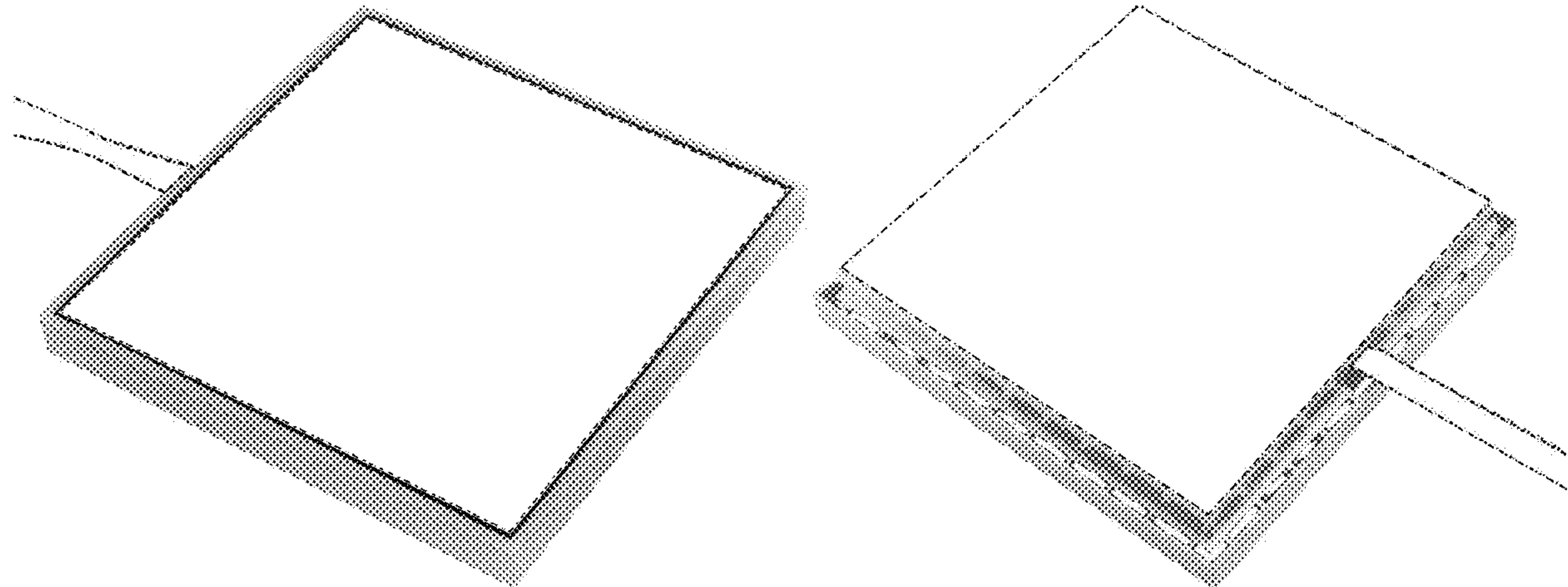
FIG. 8 is a front, second side, top perspective view thereof;

FIG. 9 is a rear, second side, bottom perspective view thereof; and,

FIG. 10 is a rear, first side, top perspective view thereof in a second red color perimeter glow state.

Color, at portions glowing green or red, is part of the claimed design. The dot-dash broken lines depict the bounds of the claimed design. The broken lines form no part of the claimed design.

1 Claim, 10 Drawing Sheets
(10 of 10 Drawing Sheet(s) Filed in Color)



(58) **Field of Classification Search**

CPC G06F 1/1601; G06F 1/1605; G06F 1/162
See application file for complete search history.

FOREIGN PATENT DOCUMENTS

EM	006392122-0005	*	2/2020
EM	006392122-0007	*	2/2020
EM	006392122-0010	*	2/2020
EM	006392122-0012	*	2/2020
EM	006392122-0014	*	2/2020

(56) **References Cited**

U.S. PATENT DOCUMENTS

D494,583	S	*	8/2004	Guerrera	D14/336
D500,037	S	*	12/2004	Ozolins	D14/375
D608,315	S	*	1/2010	Mitsubishi	D14/126
D609,658	S	*	2/2010	Kim	D14/126
D624,513	S	*	9/2010	Mitsubishi	D14/126
D675,173	S	*	1/2013	Paradise	D14/125
D687,388	S	*	8/2013	Baumgartner	D13/162
D715,799	S	*	10/2014	Ozolins	D14/374
D745,480	S	*	12/2015	Mathews	D14/125
D793,888	S	*	8/2017	Hasegawa	D10/106.95
D795,868	S	*	8/2017	Ozolins	D14/374

OTHER PUBLICATIONS

Crestron. Link: <https://www.crestron.com/Products/Featured-Solutions/TSW-70-Series>. Visited Jul. 27, 2021. TSW-70-Series Crestron 70 Touch Screens. (Year: 2021).*

Crestron. Link: <https://www.crestron.com/Products/Control-Surfaces/Room-Availability-Signs-Accessories/Room-Availability-Signs/SSC-100-EL>. Visited Jul. 27, 2021. SSC-100-EL Room Availability Hallway Sign. (Year: 2021).*

* cited by examiner

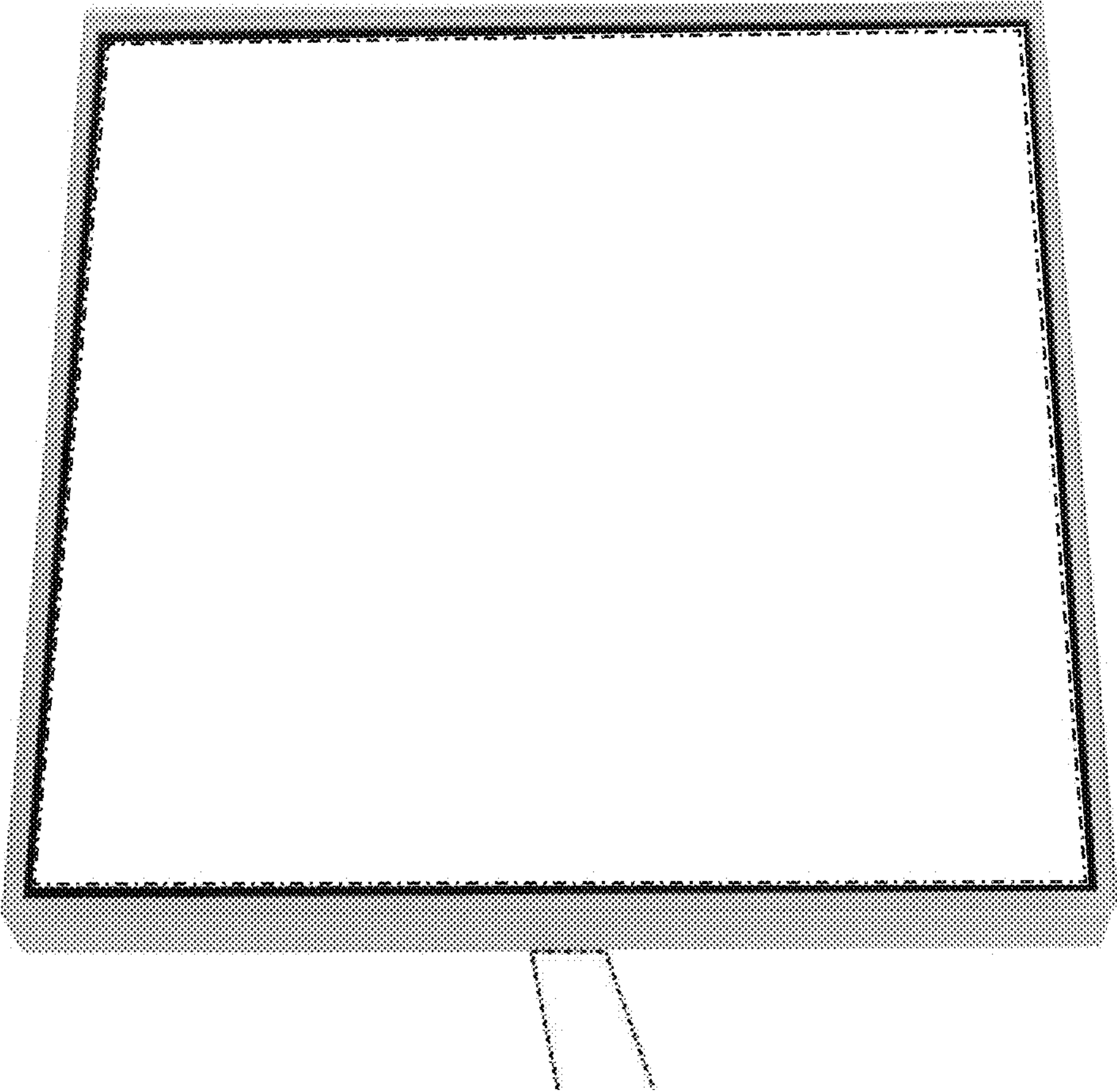


FIG. 1

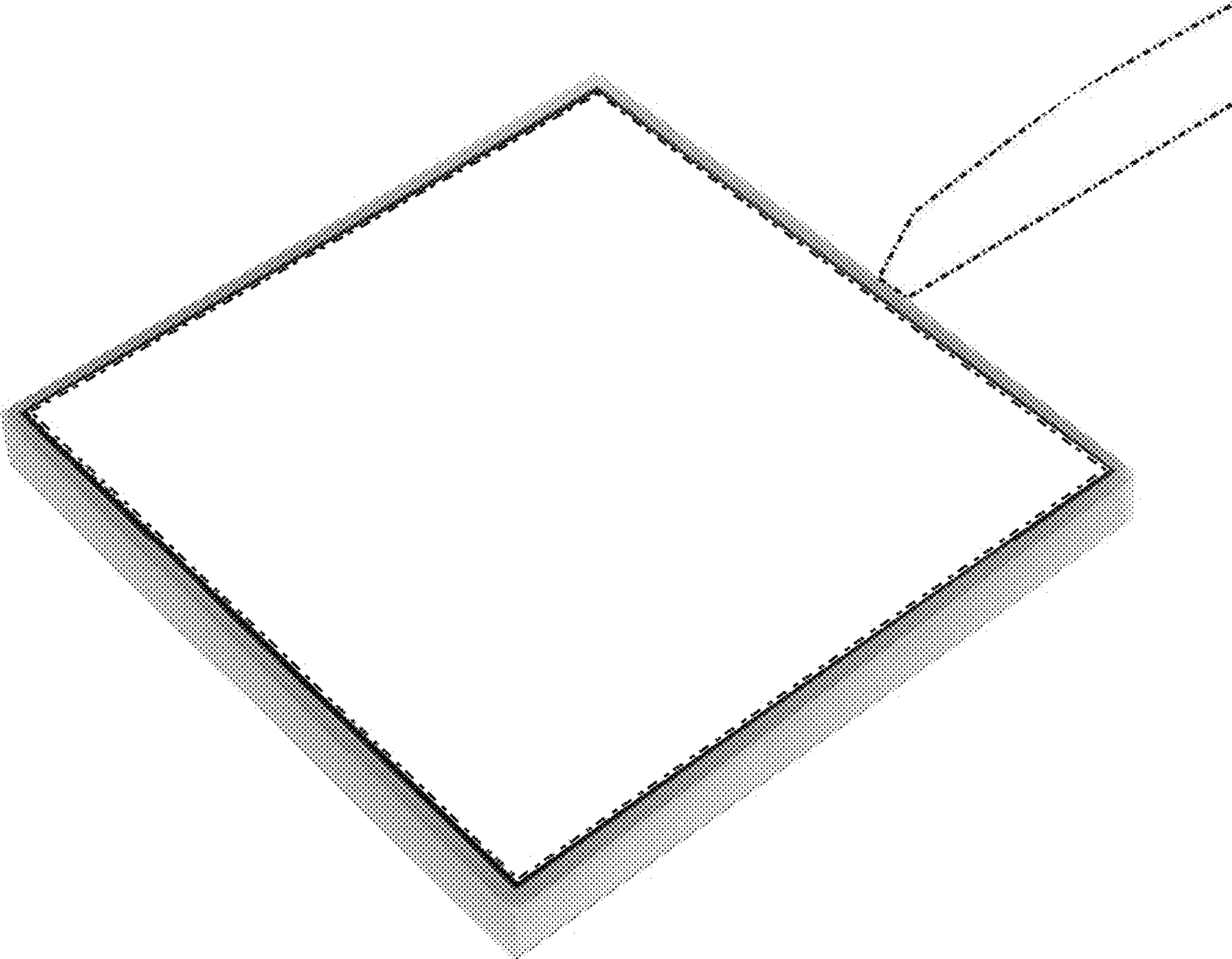


FIG. 2

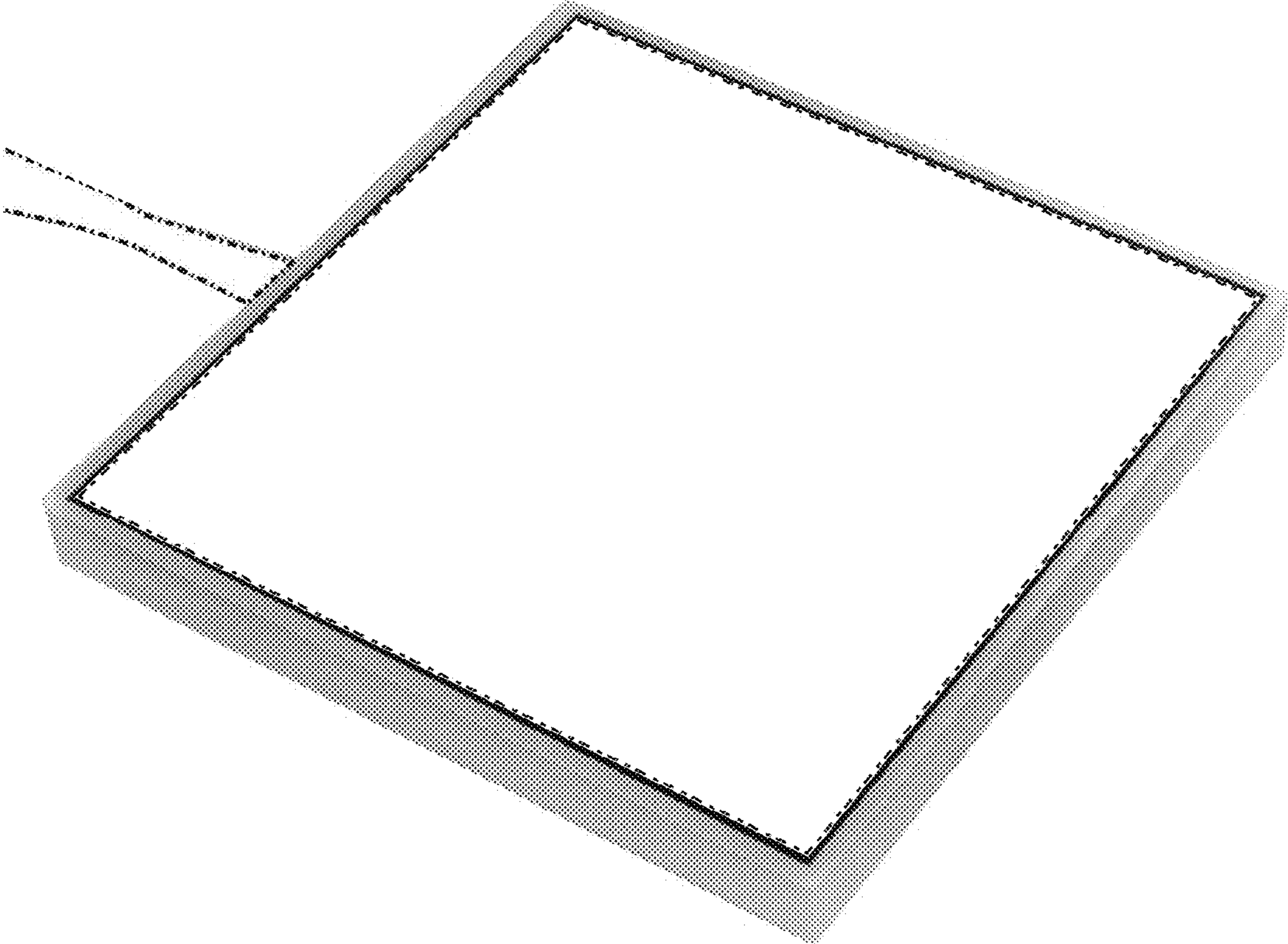


FIG. 3

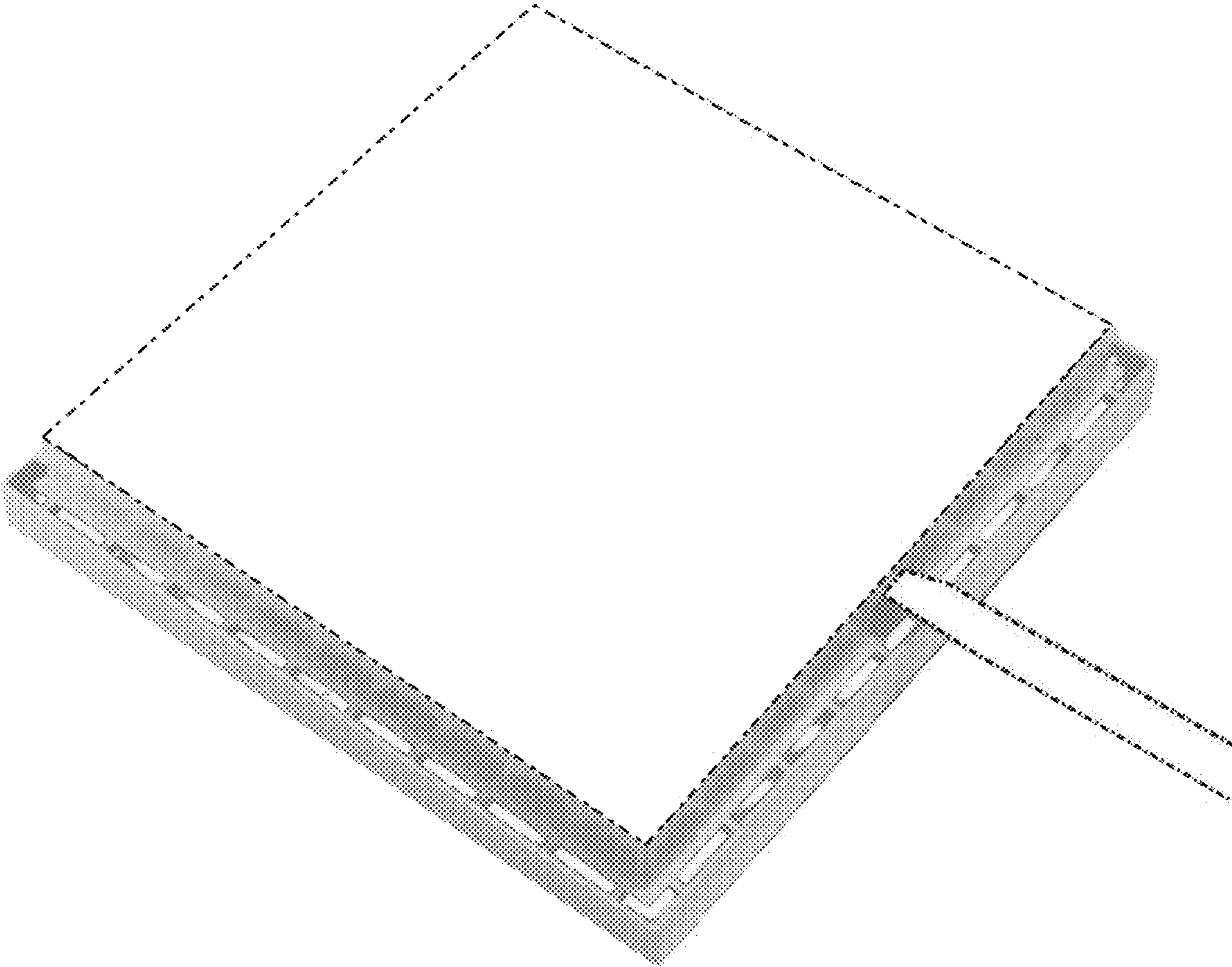


FIG. 4

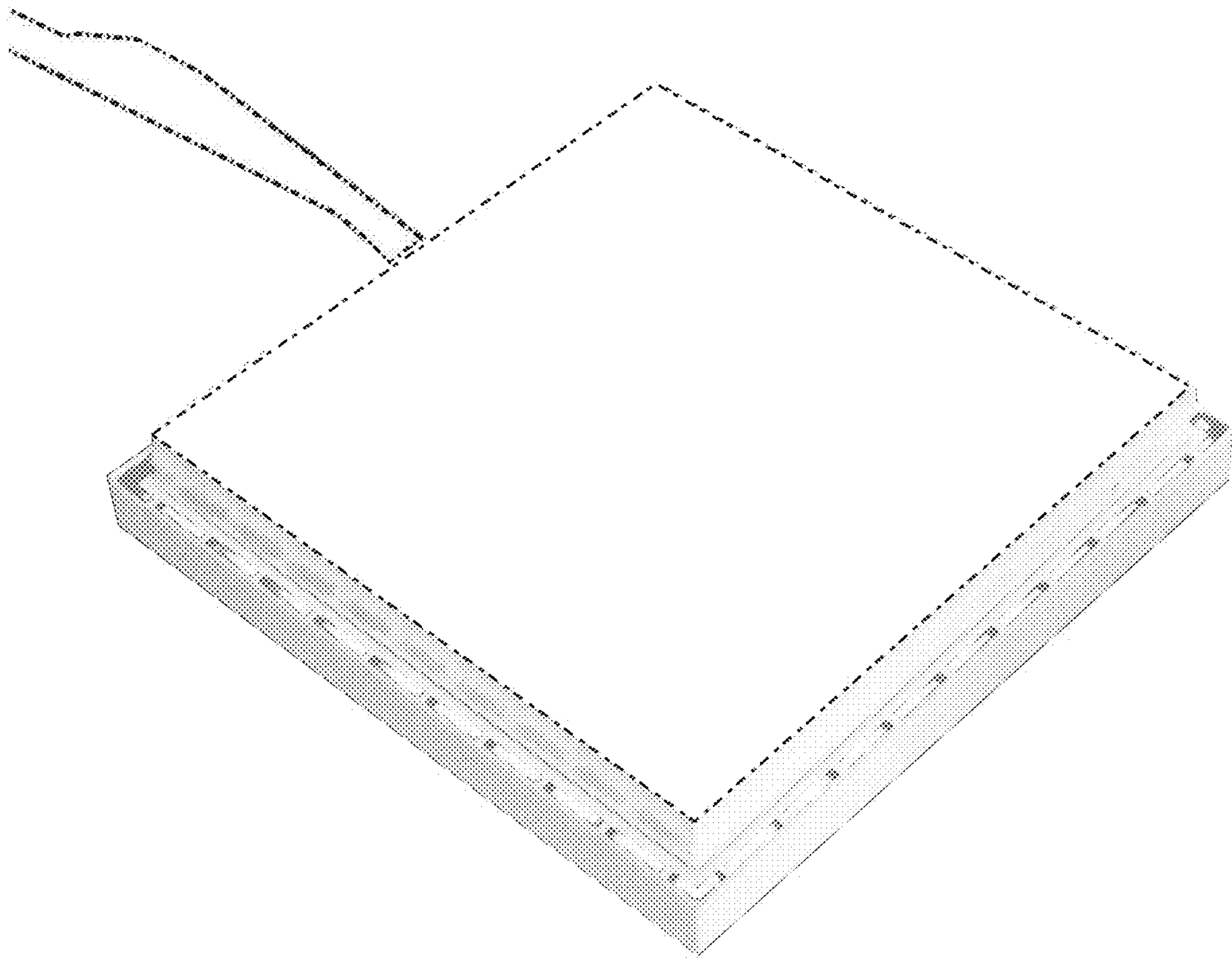


FIG. 5

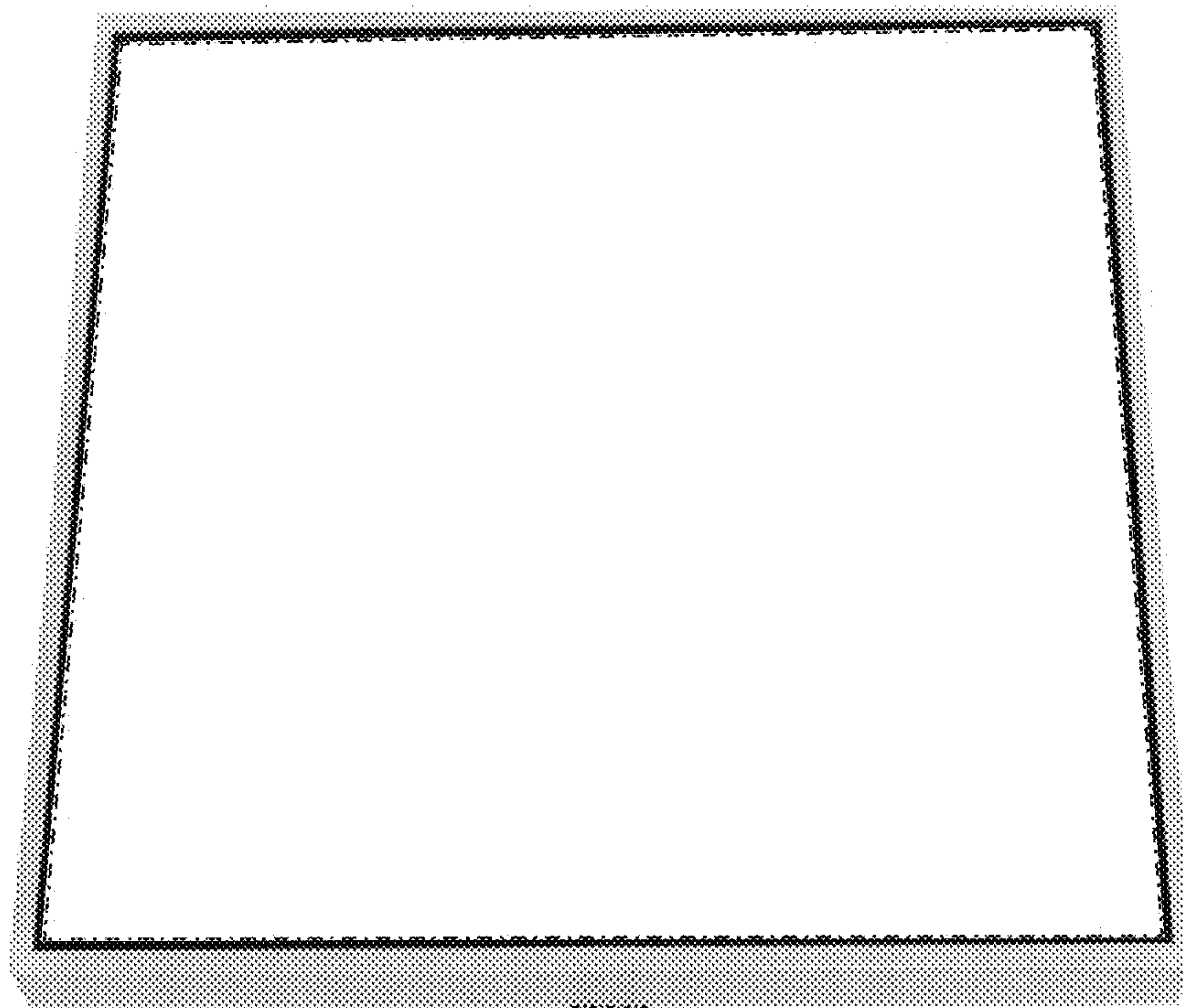


FIG. 6

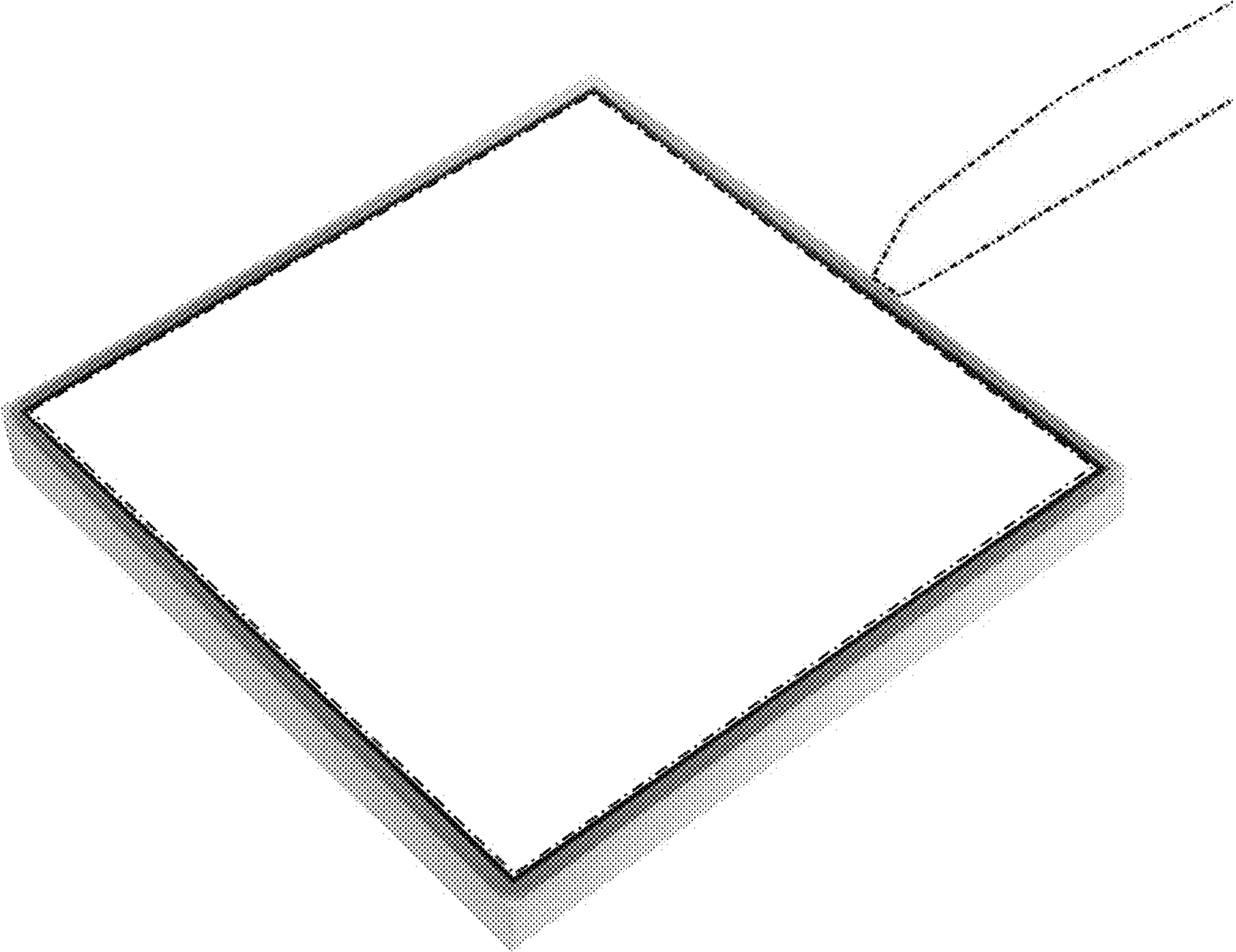


FIG. 7

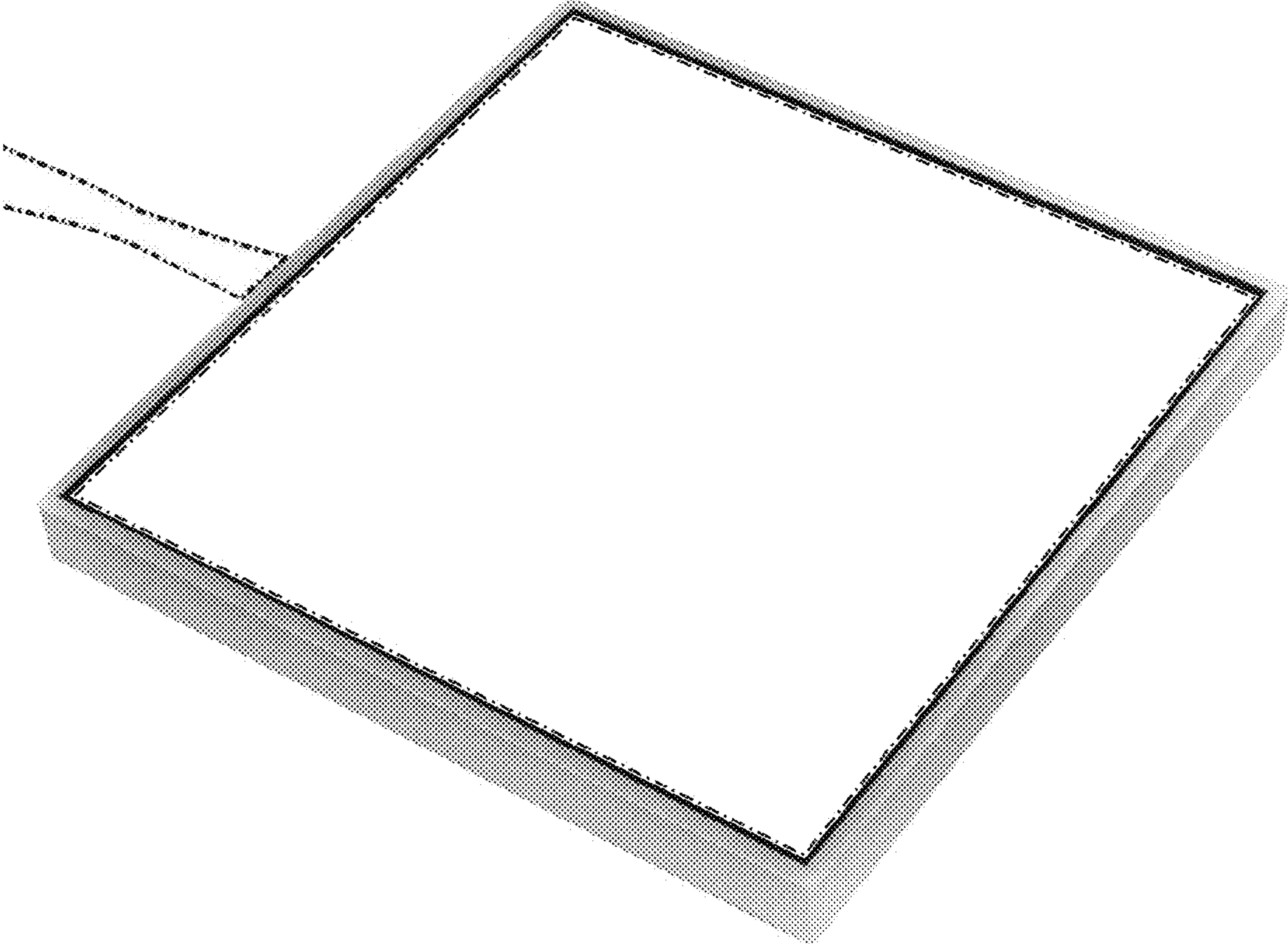


FIG. 8

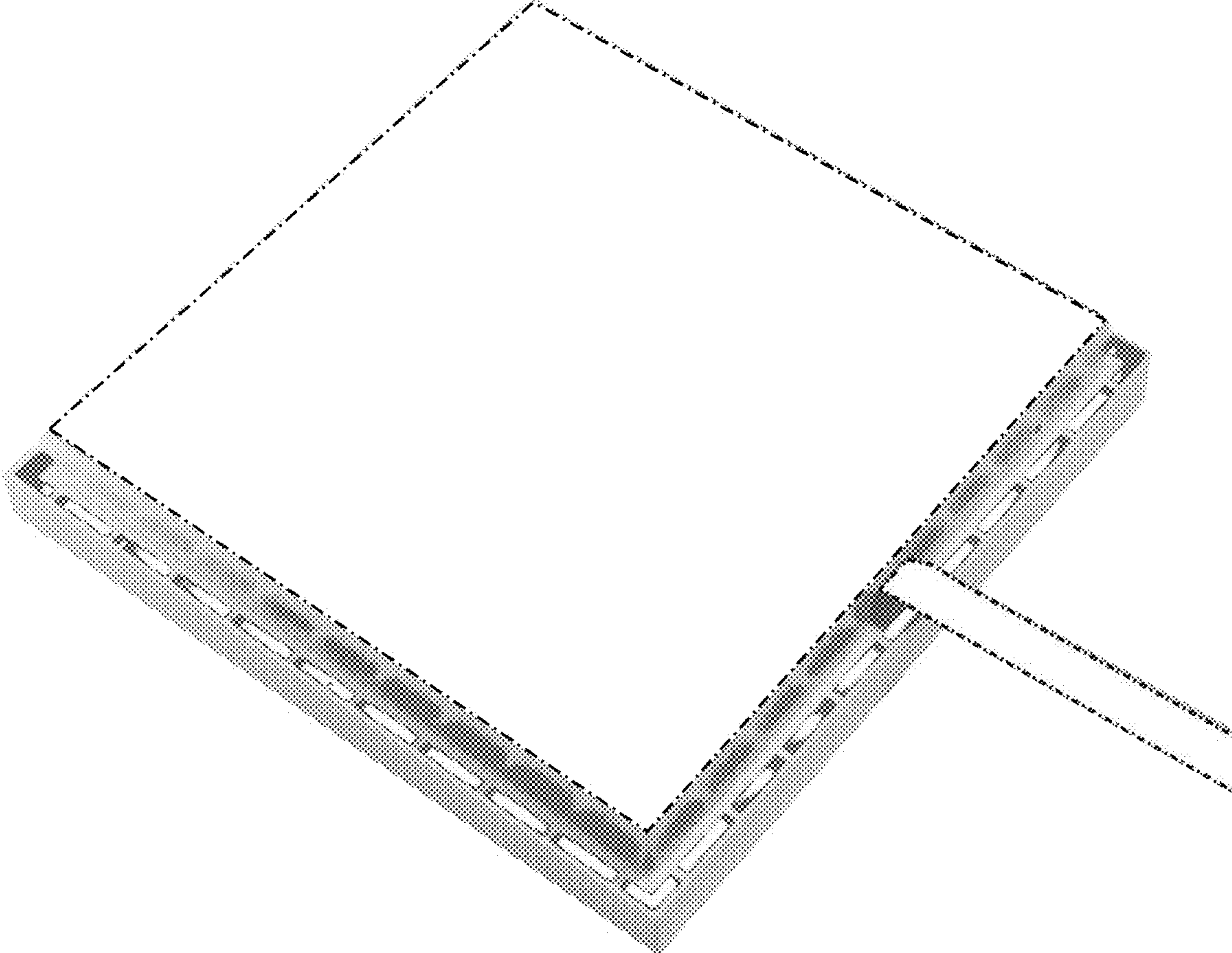


FIG. 9

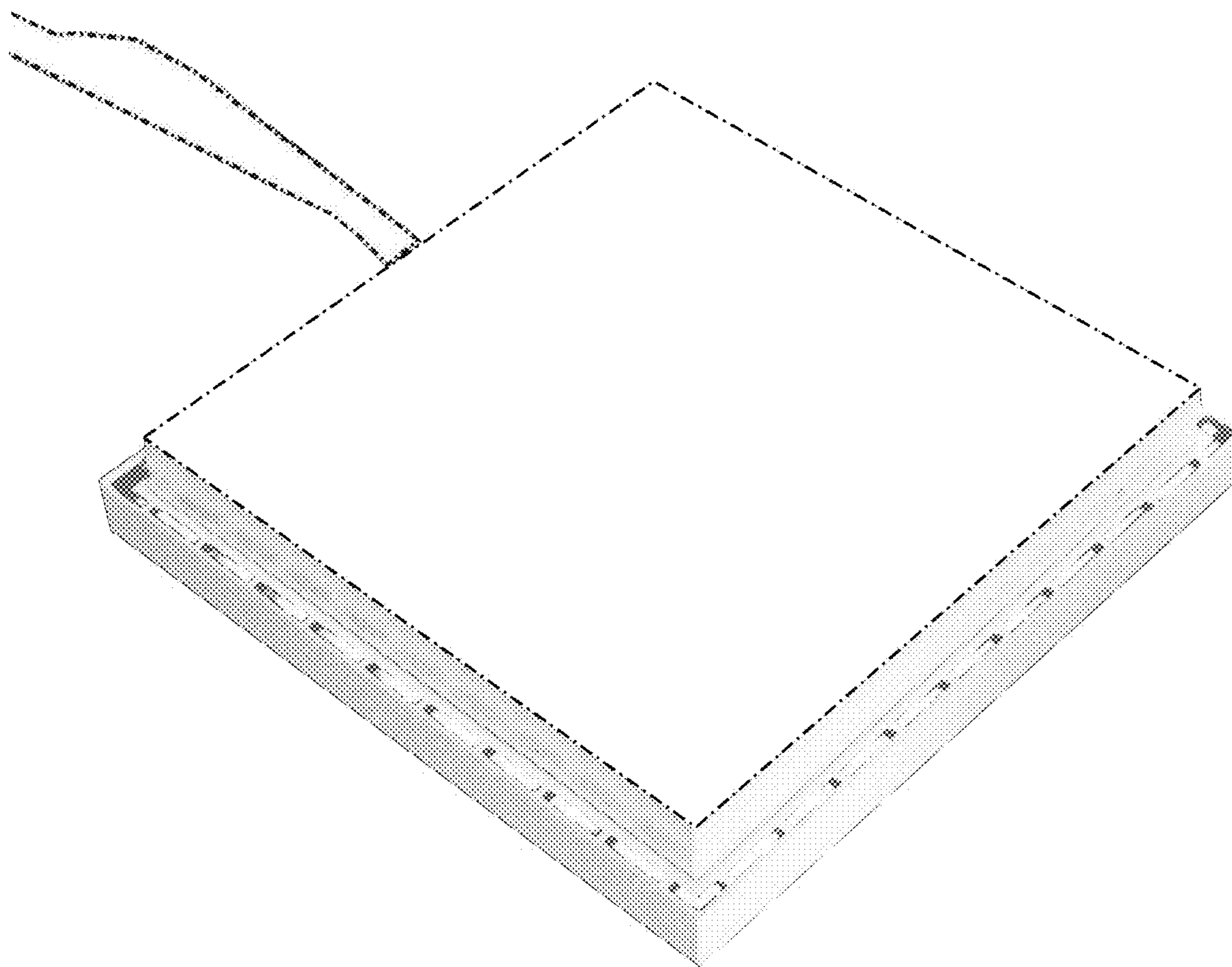


FIG. 10