

US00D947832S

(12) **United States Design Patent** (10) **Patent No.:** **US D947,832 S**
Bolmstrand (45) **Date of Patent:** **** Apr. 5, 2022**

(54) **INTERACTIVE TOUCH SCREEN DISPLAY FOR ROOM MANAGEMENT**

D715,799 S * 10/2014 Ozolins D14/374
D745,480 S * 12/2015 Mathews D14/125
D793,888 S * 8/2017 Hasegawa D10/106.95
D795,868 S * 8/2017 Ozolins D14/374

(71) Applicant: **Evoko Unlimited AB**, Nacka (SE)

(72) Inventor: **Per Bolmstrand**, Nacka (SE)

(73) Assignee: **EVOKO UNLIMITED AB**, Nacka (SE)

(**) Term: **15 Years**

(21) Appl. No.: **29/710,415**

(22) Filed: **Oct. 23, 2019**

(30) **Foreign Application Priority Data**

Apr. 23, 2019 (EM) 006392122

(51) **LOC (13) Cl.** **14-02**

(52) **U.S. Cl.**
USPC **D14/336**

(58) **Field of Classification Search**
USPC D14/336, 337, 373, 374, 375, 376, 377,
D14/125, 128, 129, 126, 371, 372, 341;
D24/185, 186

CPC G06F 1/1601; G06F 1/1605; G06F 1/162
See application file for complete search history.

(56) **References Cited**

U.S. PATENT DOCUMENTS

D396,222 S * 7/1998 Morgan D14/126
D454,565 S * 3/2002 Harriman D14/374
D494,583 S * 8/2004 Guerrero D14/336
D500,037 S * 12/2004 Ozolins D14/375
D608,315 S * 1/2010 Mitsuhashi D14/126
D609,658 S * 2/2010 Kim D14/126
D624,513 S * 9/2010 Mitsuhashi D14/126
D675,173 S * 1/2013 Paradise D14/125
D687,388 S * 8/2013 Baumgartner D13/162

FOREIGN PATENT DOCUMENTS

EM 006392122-0001 * 2/2020
EM 006392122-0003 * 2/2020
EM 006392122-0005 * 2/2020
EM 006392122-0007 * 2/2020
EM 006392122-0010 * 2/2020

(Continued)

OTHER PUBLICATIONS

Extron. Link: <https://www.extron.com/product/tls1025m#>. Visited Jul. 27, 2021. TLS 1025M 10" Wall Mount TouchLink Scheduling Panel. (Year: 2021).*

(Continued)

Primary Examiner — Lauren D McVey
(74) *Attorney, Agent, or Firm* — Cooper Legal Group, LLC; Ronald M. Kachmarik

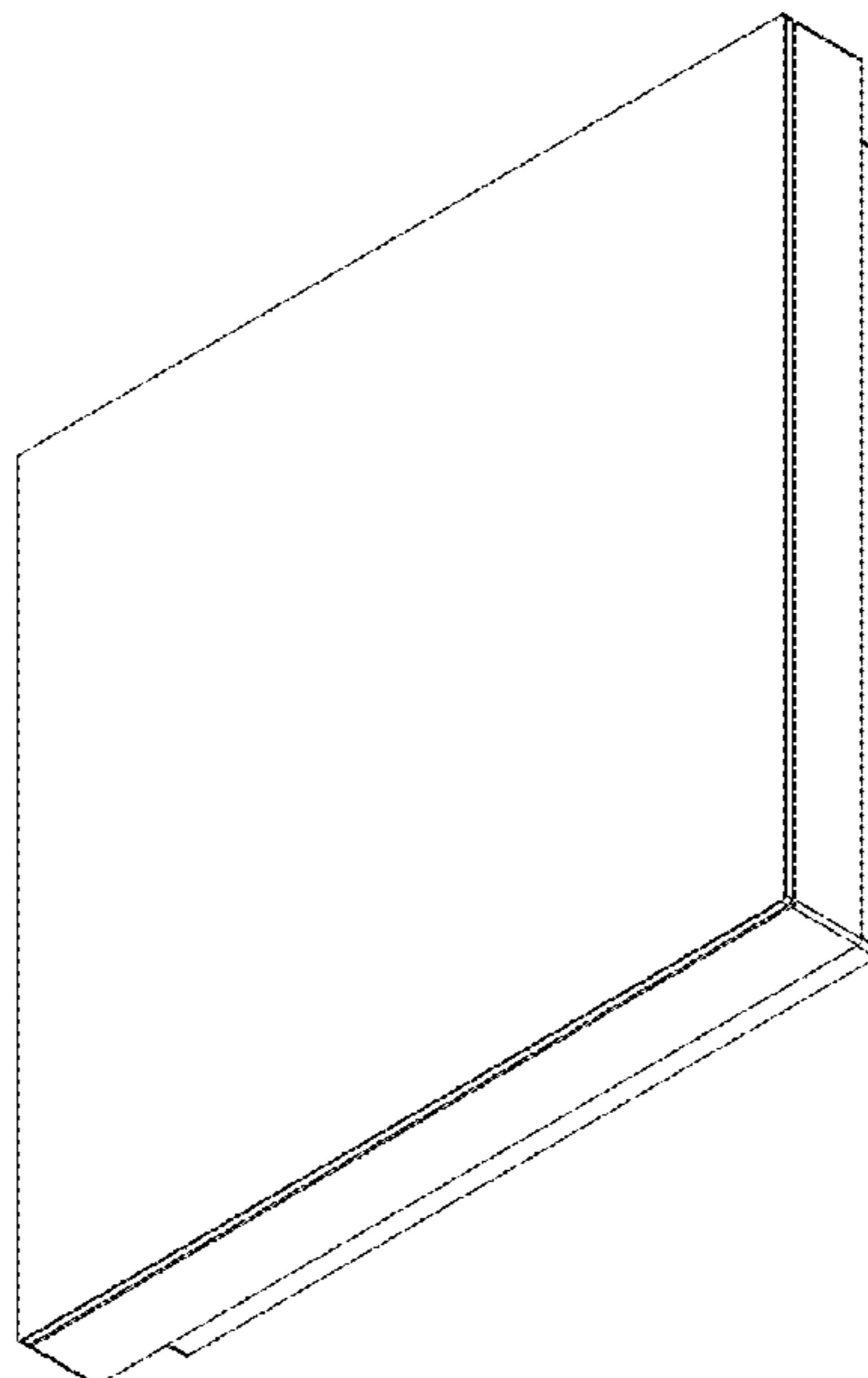
(57) **CLAIM**

The ornamental design for an interactive touch screen display for room management, as shown and described.

DESCRIPTION

FIG. 1 is a front view of an interactive touch screen display for room management, showing the new design; FIG. 2 is a front, lower perspective view thereof; FIG. 3 is a rear, lower perspective view thereof; FIG. 4 is a first side view thereof; FIG. 5 is a rear view thereof; FIG. 6 is a second side view thereof; and, FIG. 7 is a rear, upper perspective view thereof. Portions of the design shown in broken lines form no part of the claimed design.

1 Claim, 7 Drawing Sheets



(56)

References Cited

FOREIGN PATENT DOCUMENTS

EM 006392122-0012 * 2/2020
EM 006392122-0014 * 2/2020

OTHER PUBLICATIONS

Crestron. Link: <https://www.crestron.com/Products/Featured-Solutions/TSW-70-Series>. Visited Jul. 27, 2021. TSW-70-Series Crestron 70 Touch Screens. (Year: 2021).*

Crestron. Link: <https://www.crestron.com/Products/Control-Surfaces/Room-Availability-Signs-Accessories/Room-Availability-Signs/SSC-100-EL>. Visited Jul. 27, 2021. SSC-100-EL Room Availability Hallway Sign. (Year: 2021).*

* cited by examiner

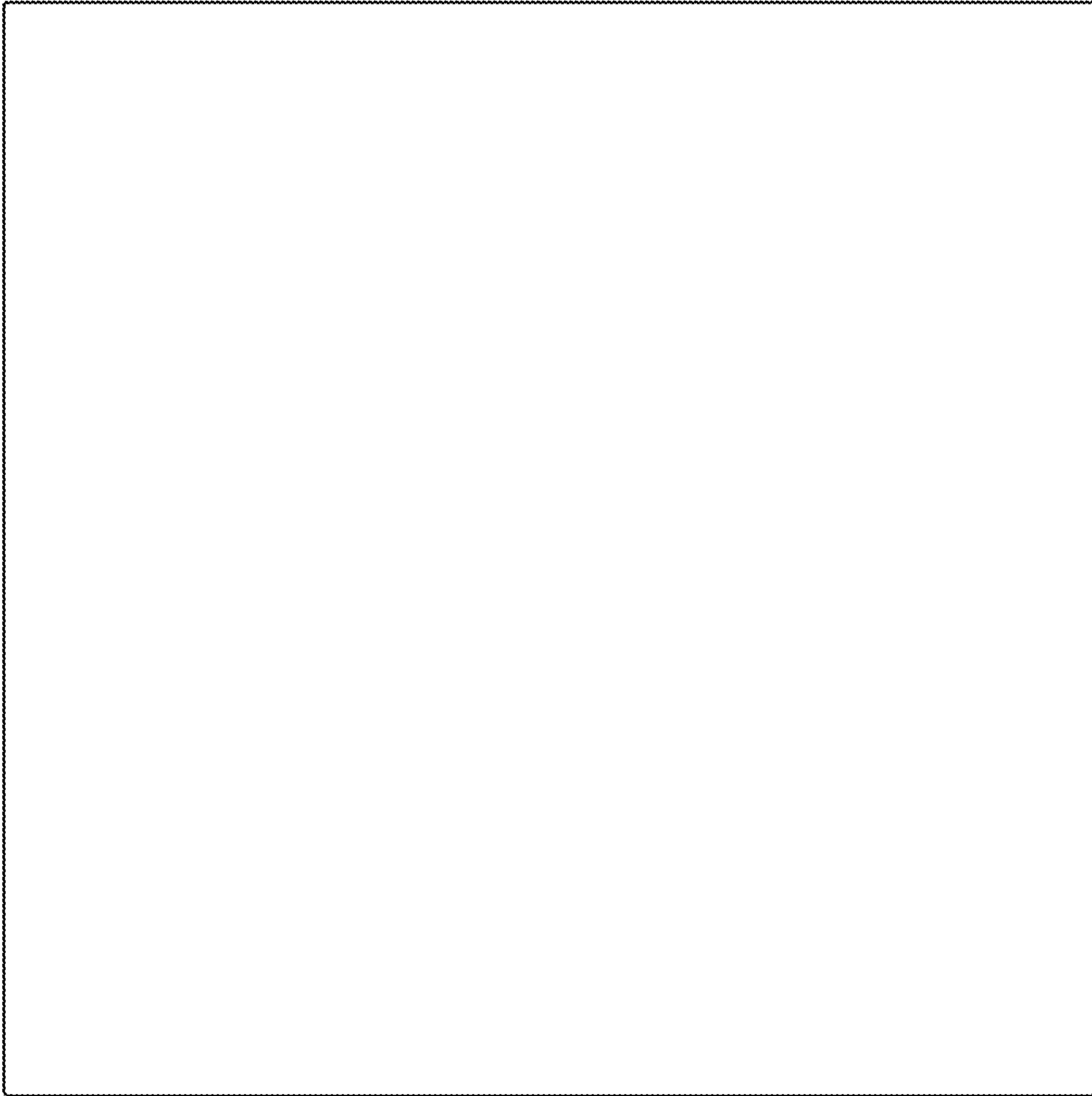


FIG. 1

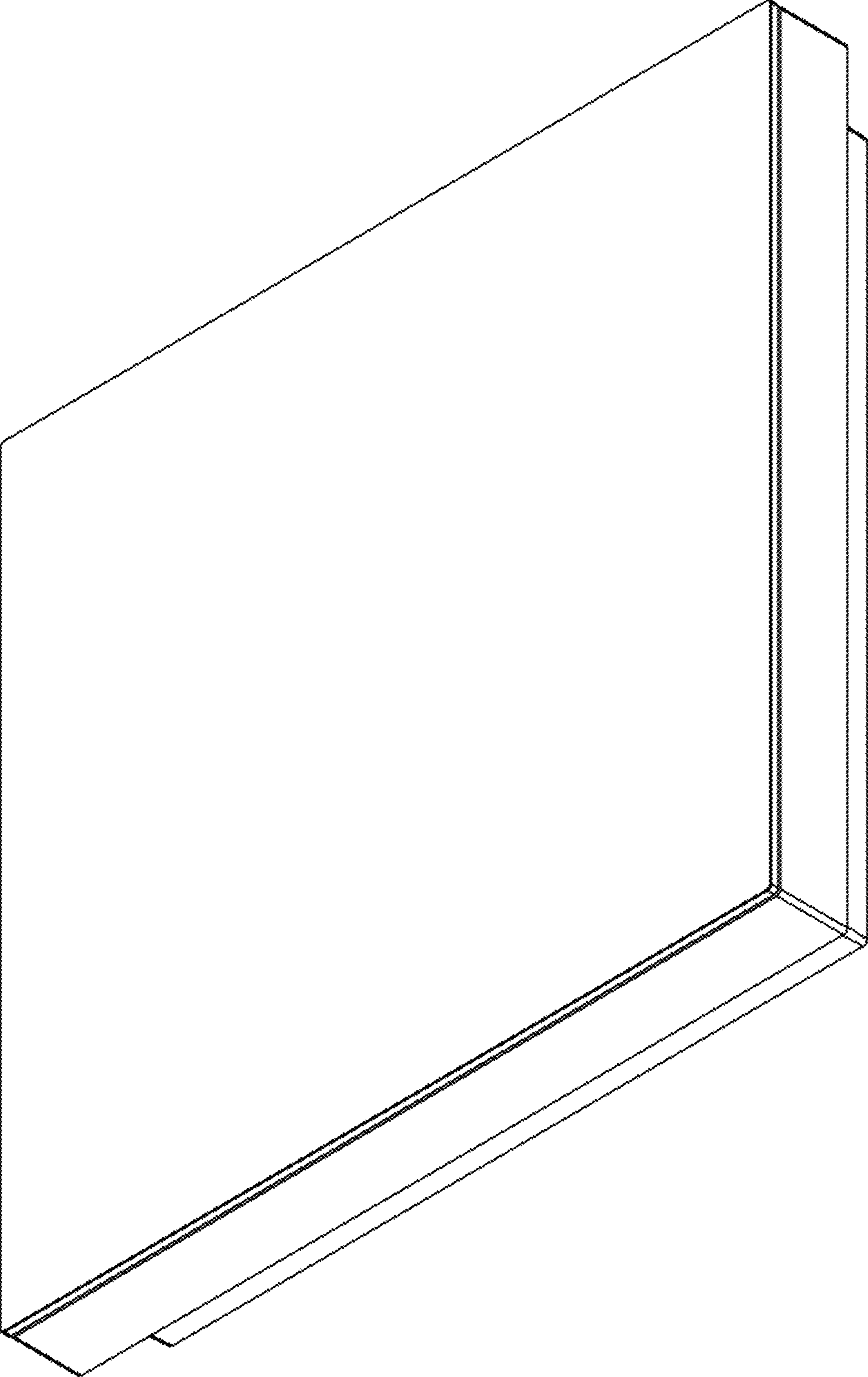


FIG. 2

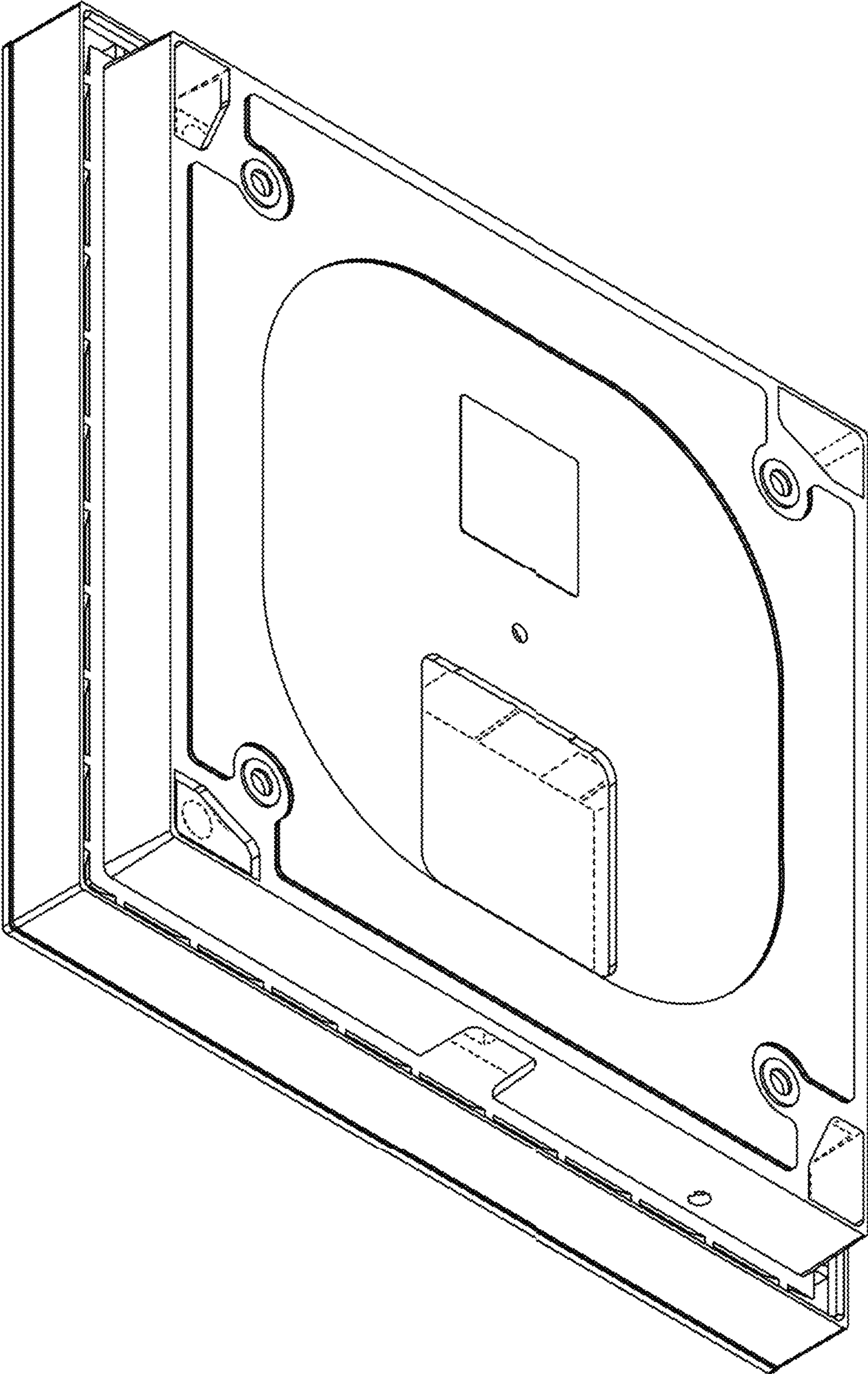


FIG. 3

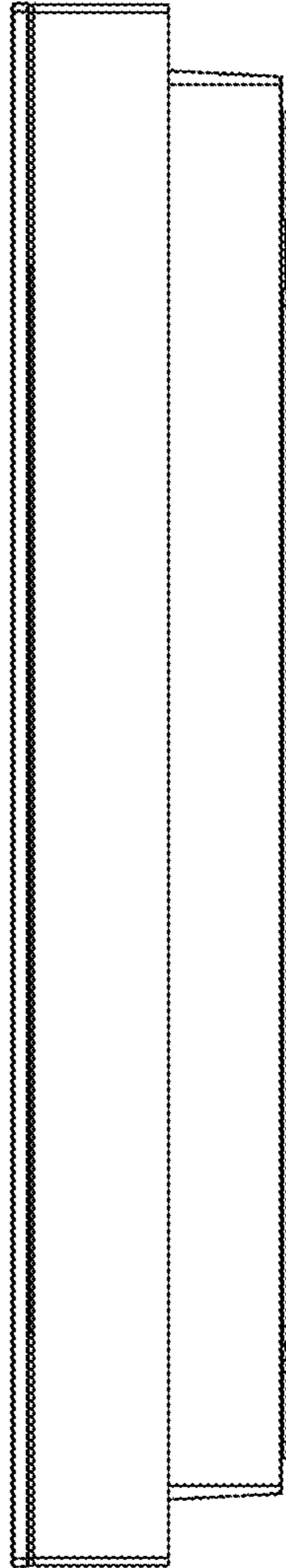


FIG. 4

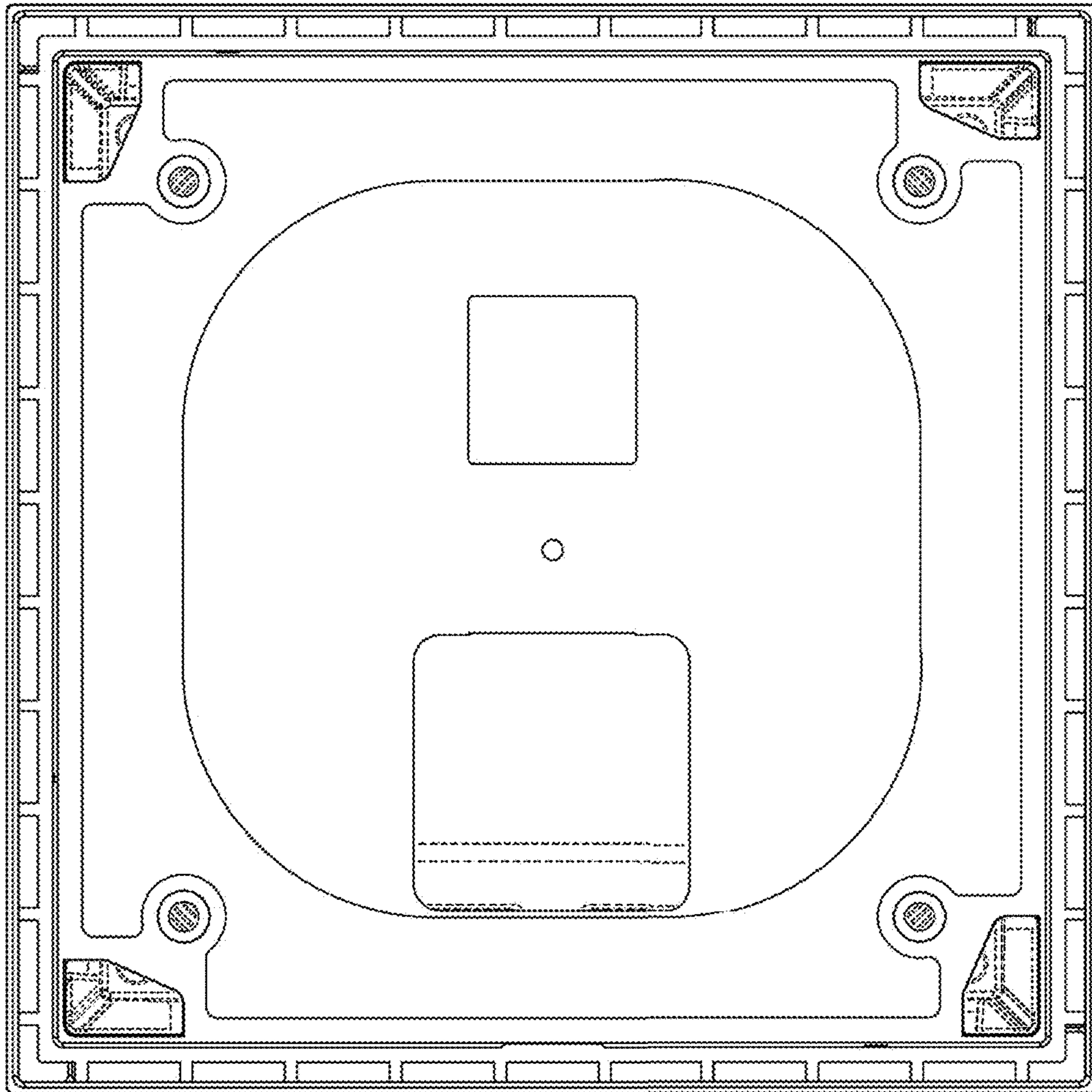


FIG. 5

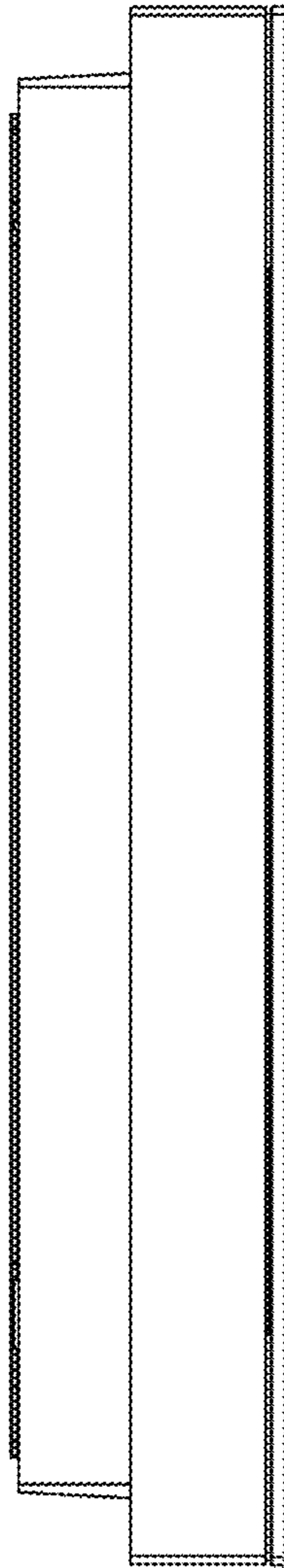


FIG. 6

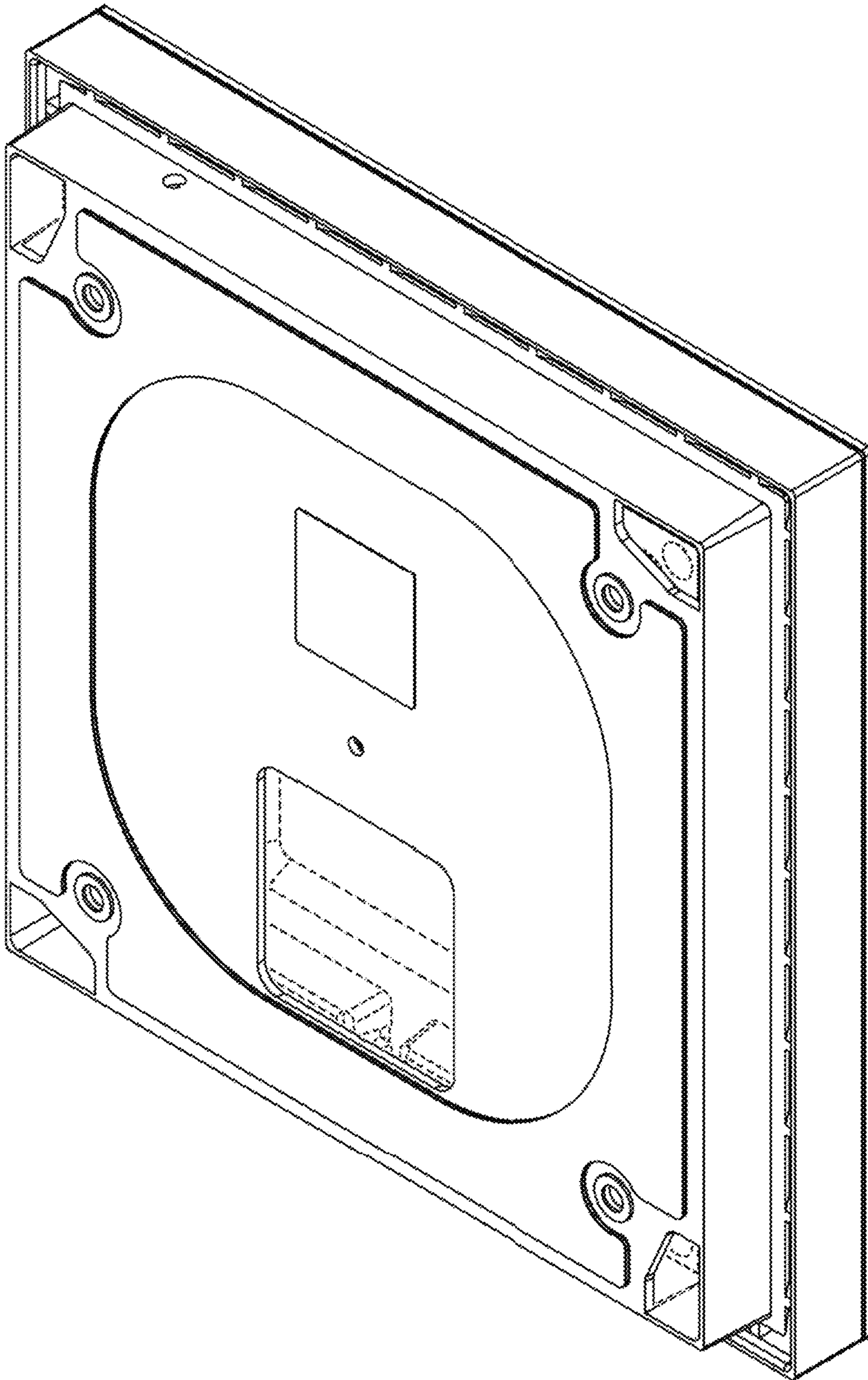


FIG. 7