



US00D947830S

(12) **United States Design Patent**  
**Lin et al.**

(10) **Patent No.:** **US D947,830 S**

(45) **Date of Patent:** **\*\* Apr. 5, 2022**

(54) **PHONE COVER**

(71) Applicant: **Guangzhou Roiskin Technology Company, Guangzhou (CN)**

(72) Inventors: **Sam Lin, Guangzhou (CN); Fanyiguo Cai, Guangdong (CN)**

(73) Assignee: **Guangzhou Roiskin Technology Company, Guangzhou (CN)**

(\*\*) Term: **15 Years**

(21) Appl. No.: **29/772,352**

(22) Filed: **Mar. 1, 2021**

(51) **LOC (13) Cl.** ..... **14-03**

(52) **U.S. Cl.**  
USPC ..... **D14/250**

(58) **Field of Classification Search**  
USPC ..... D14/203.3–203.7, 439, 251–253, 447, D14/217, 240, 238.1, 250, 440, 248; D13/103, 107–108, 119; D3/201, 218, D3/247, 249, 269, 273, 301, 303  
CPC . H04B 1/3888; A45C 13/02; A45C 2011/002; A45C 1/06; A45C 11/00; A45F 2005/026; A45F 2200/0525; A45F 2200/0516; H04M 1/0283; H04M 1/0202  
See application file for complete search history.

(56) **References Cited**

**U.S. PATENT DOCUMENTS**

D590,386 S *	4/2009	Leith	.....	D14/248
D670,279 S *	11/2012	Veltz	.....	D14/250
D701,211 S *	3/2014	Ng	.....	D14/440
D709,486 S *	7/2014	Lin	.....	D14/250
D716,280 S *	10/2014	Macrina	.....	D14/250
D717,779 S *	11/2014	Dong	.....	D14/250
8,936,222 B1 *	1/2015	Bastian	.....	H04B 1/3877 248/206.5
D775,619 S *	1/2017	Tien	.....	D14/250
D788,092 S *	5/2017	Phang	.....	D14/250

D791,759 S *	7/2017	Lin	.....	D14/250
D803,222 S *	11/2017	Cheng	.....	D14/440
D863,281 S *	10/2019	Liu	.....	D14/250
D863,286 S *	10/2019	Hong	.....	D14/250
D868,053 S *	11/2019	Gao	.....	D14/250
10,581,480 B1 *	3/2020	Kim	.....	H04M 1/04
D881,176 S *	4/2020	Hao	.....	D14/250

(Continued)

**FOREIGN PATENT DOCUMENTS**

CN	306332307	*	2/2021
CN	306517192		5/2021
JP	2019536485		12/2019

**OTHER PUBLICATIONS**

Roiskin Mecha Phone Case, URL: <<https://www.roiskin.com/products/mecha-phone-case.html>>, retrieved from internet on Sep. 2, 2021.\*

*Primary Examiner* — Carla J Wright

(74) *Attorney, Agent, or Firm* — Patrick J. Halloran

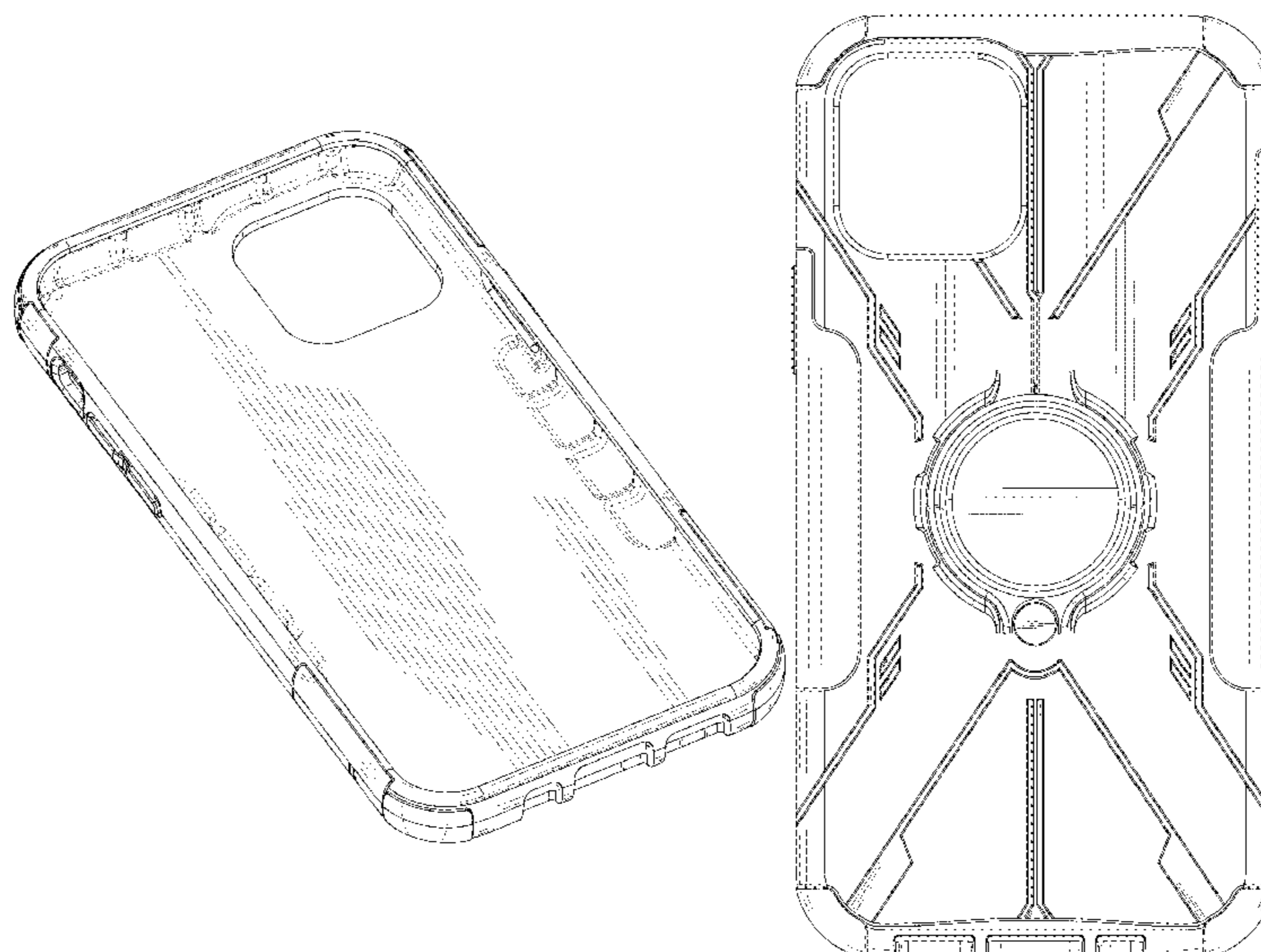
(57) **CLAIM**

The ornamental design for a phone cover, as shown and described.

**DESCRIPTION**

FIG. 1 is a front, left-side, and bottom perspective view of a phone cover showing our new design; FIG. 2 is a rear, right-side, and bottom perspective view thereof; FIG. 3 is a front elevational view thereof; FIG. 4 is a rear elevational view thereof; FIG. 5 is a left-side elevational view thereof; FIG. 6 is a right-side elevational view thereof; FIG. 7 is a top plan view thereof; and, FIG. 8 is a bottom plan view thereof. The broken lines shown in the drawings are for the purpose of illustrating portions of the phone cover that form no part of the claimed design.

**1 Claim, 8 Drawing Sheets**



(56)

**References Cited**

U.S. PATENT DOCUMENTS

D896,212	S	*	9/2020	Wang	.....	D14/250
D896,804	S	*	9/2020	Lin	.....	D14/250
D901,481	S	*	11/2020	Ahn	.....	D14/250
D903,650	S	*	12/2020	Huang	.....	D14/250
D917,445	S		4/2021	Li		
2014/0069825	A1	*	3/2014	Macrina	.....	A45C 11/00 206/37
2015/0068934	A1	*	3/2015	Armstrong	.....	H04B 1/3888 206/320
2017/0353207	A1	*	12/2017	Chou	.....	H04M 1/0202
2018/0220782	A1	*	8/2018	Mody	.....	A45F 5/00
2020/0083921	A1	*	3/2020	Hogue	.....	A45F 5/00
2021/0012623	A1	*	1/2021	Gov-Ari	.....	A45F 5/10

\* cited by examiner

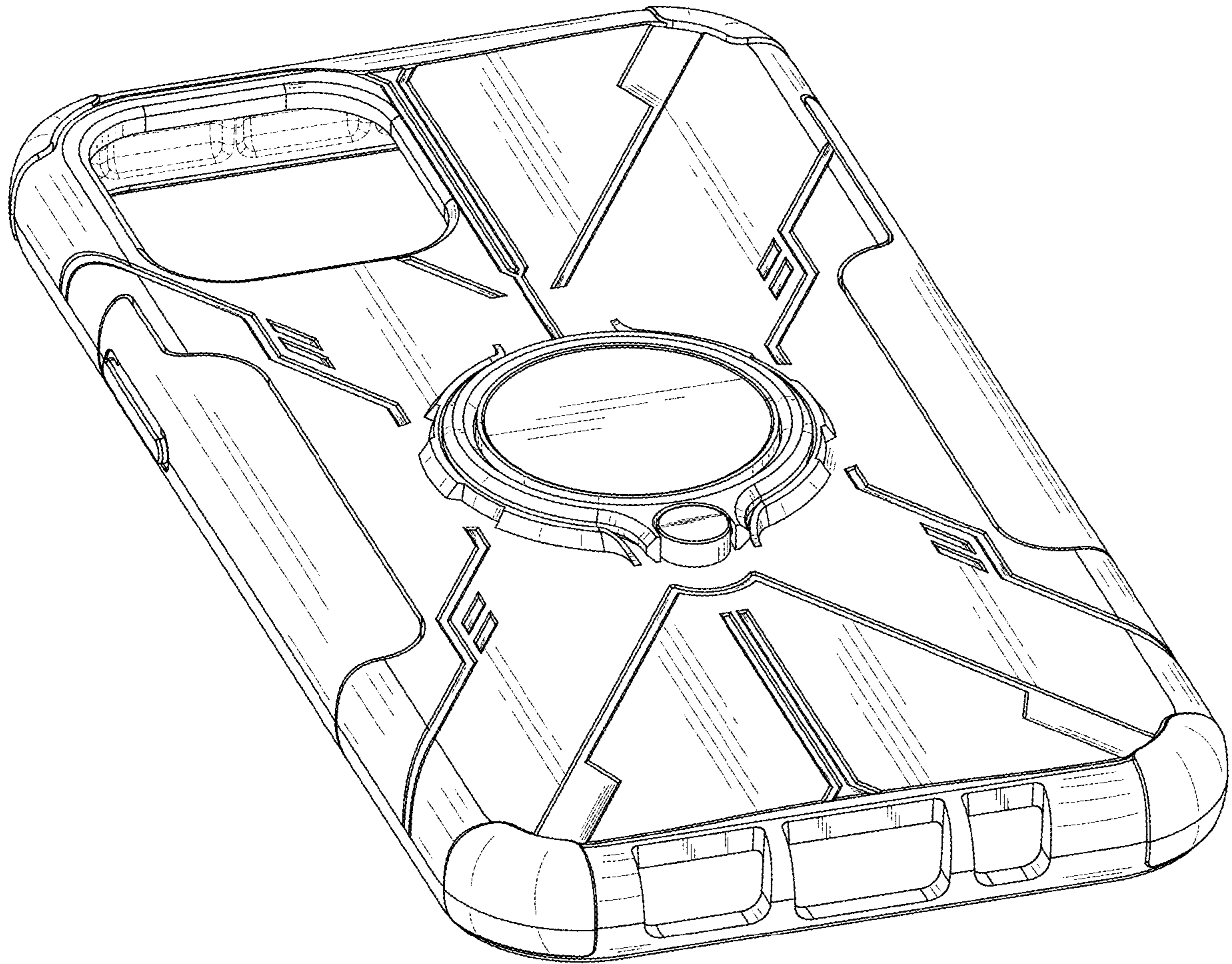


FIG. 1



FIG. 2

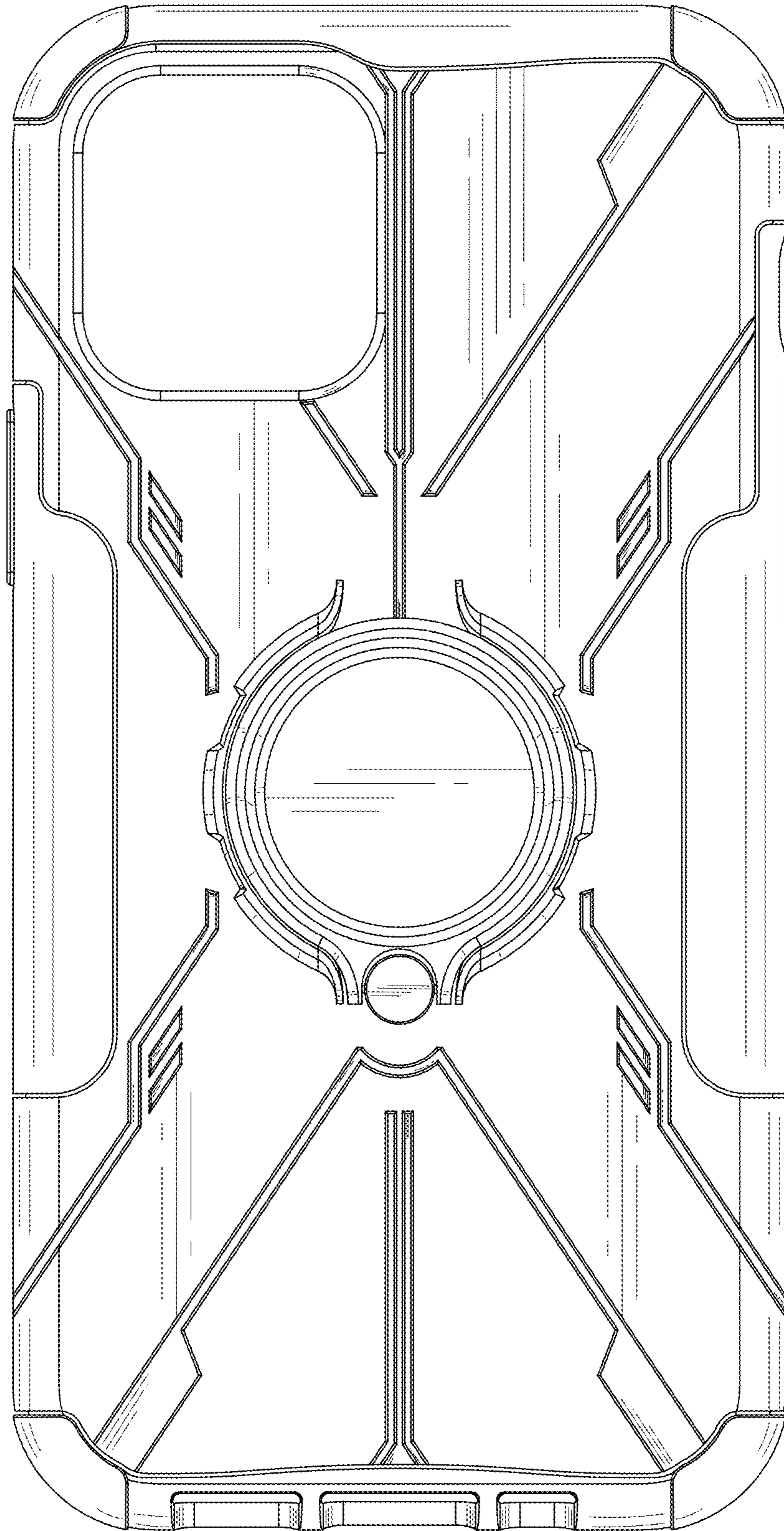


FIG. 3

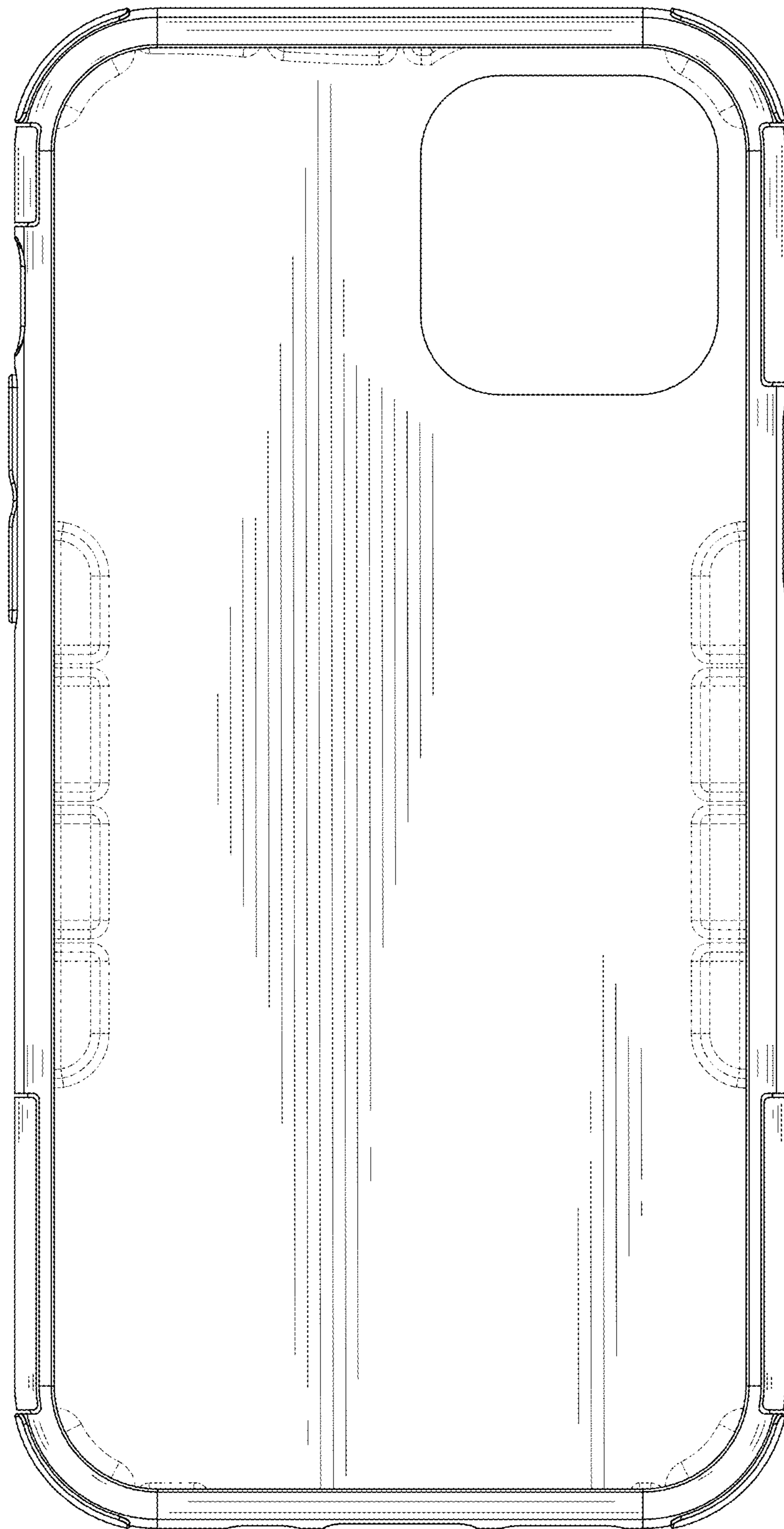


FIG. 4

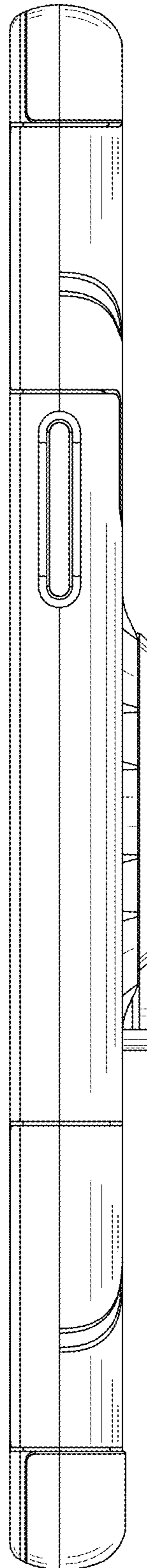


FIG. 5

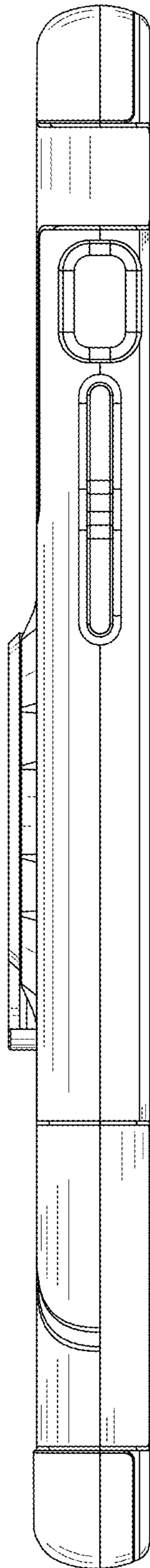


FIG. 6



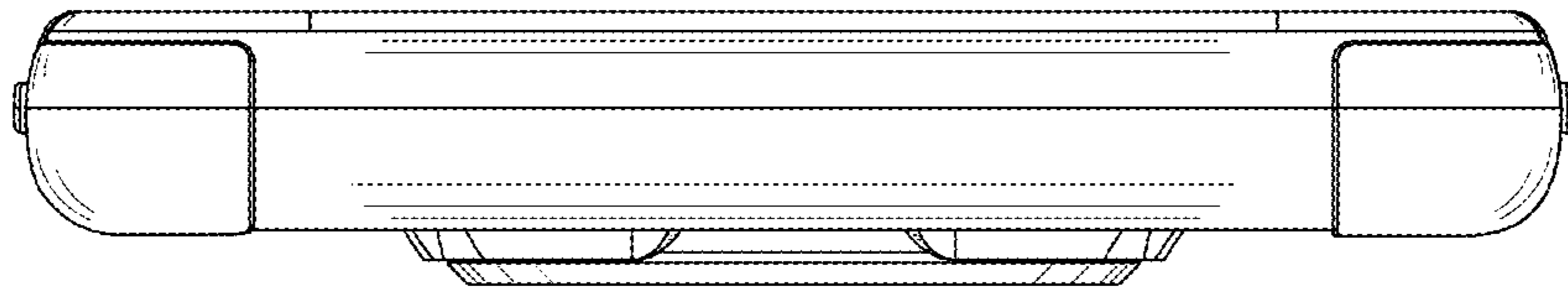


FIG. 7

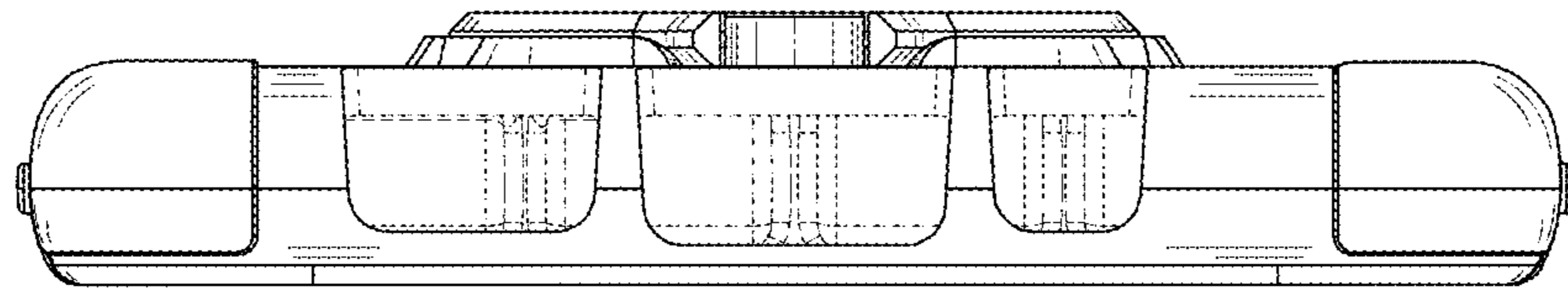


FIG. 8