



US00D947829S

(12) **United States Design Patent**
Choi et al.

(10) **Patent No.:** **US D947,829 S**
(45) **Date of Patent:** **** Apr. 5, 2022**

(54) **CASE FOR ELECTRONIC DEVICE**

(71) Applicant: **Samsung Electronics Co., Ltd.**,
Suwon-si (KR)

(72) Inventors: **Jung-Hyun Choi**, Suwon-si (KR);
Jun-Yong Song, Suwon-si (KR);
Eun-Soo Kim, Suwon-si (KR);
Byoung-Jin Kim, Suwon-si (KR)

(73) Assignee: **SAMSUNG ELECTRONICS CO., LTD.**,
Suwon-si (KR)

(**) Term: **15 Years**

(21) Appl. No.: **29/752,526**

(22) Filed: **Sep. 28, 2020**

(30) **Foreign Application Priority Data**

Apr. 22, 2020 (KR) 30-2020-0017743

(51) **LOC (13) Cl.** **14-03**

(52) **U.S. Cl.**
USPC **D14/250**

(58) **Field of Classification Search**

USPC D14/203.3–203.7, 439, 251–253, 447,
D14/217, 240, 238.1, 440, 248, 250;
D13/103, 107–108, 119; D3/201, 218,
D3/247, 249, 269, 273, 301, 303
CPC H04B 1/3888; A45C 11/00; A45C 13/02;
A45C 2011/002; A45C 1/06; A45F
2200/0525; A45F 2005/026; A45F
2200/0516; H04M 1/0283; H04M 1/0202

See application file for complete search history.

(56) **References Cited**

U.S. PATENT DOCUMENTS

7,343,184 B2 * 3/2008 Rostami H04B 1/3888
455/550.1
D610,579 S * 2/2010 Behar D3/201

D648,332 S * 11/2011 Kim D14/248
D659,691 S * 5/2012 Kim D14/250
D709,484 S * 7/2014 Yoo D14/250
D718,048 S * 11/2014 Hsu D3/273
9,223,346 B2 * 12/2015 Wilson G06F 1/1626

(Continued)

FOREIGN PATENT DOCUMENTS

EM 006719183-0001 8/2019
EM 007189253-0002 2/2020

Primary Examiner — Carla J Wright

(74) *Attorney, Agent, or Firm* — McAndrews Held &
Malloy, Ltd.

(57) **CLAIM**

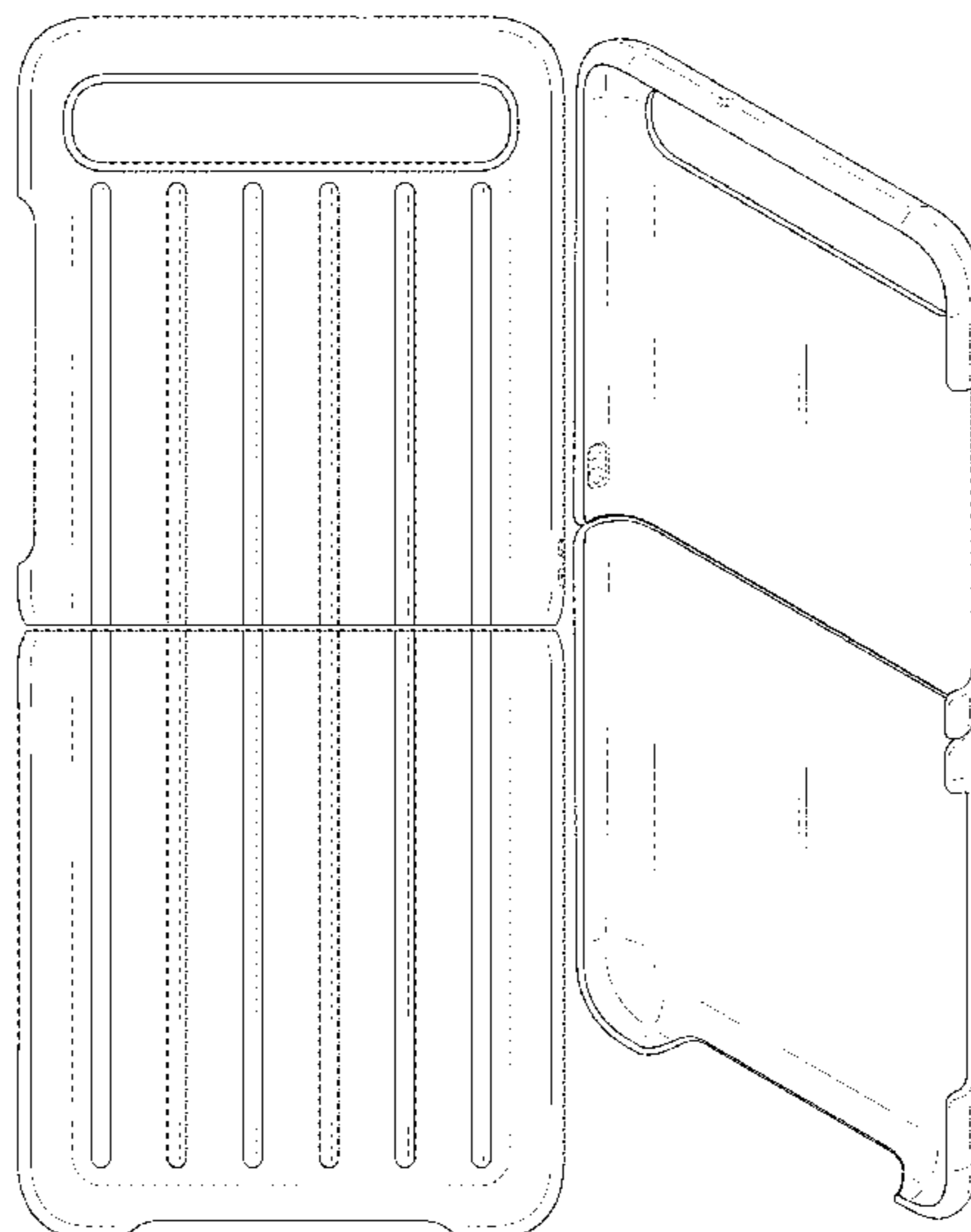
The ornamental design for a case for electronic device, as
shown and described.

DESCRIPTION

FIG. 1 is a front, right-side, and top perspective view of a
case for electronic device showing our new design;
FIG. 2 is a front elevation view thereof;
FIG. 3 is a rear elevation view thereof;
FIG. 4 is a left-side elevation view thereof;
FIG. 5 is a right-side elevation view thereof;
FIG. 6 is a top plan view thereof;
FIG. 7 is a bottom plan view thereof;
FIG. 8 is a rear, left-side, and top perspective view thereof;
FIG. 9 is an exploded left-side elevation view thereof shown
with an environmental electronic device; and,
FIG. 10 is an exploded left-side elevation view thereof
shown in an alternate configuration and shown with an
environmental electronic device.

The broken line showing of the electronic device in FIGS.
9 and 10 is for the purpose of illustrating environmental
structure that forms no part of the claimed design. The
remaining broken lines in the figures illustrate portions of
the case for electronic device that form no part of the
claimed design.

1 Claim, 10 Drawing Sheets



(56)

References Cited

U.S. PATENT DOCUMENTS

D748,614 S * 2/2016 Ju D14/250
D749,555 S * 2/2016 Poon D14/250
D754,111 S * 4/2016 Kwak D14/240
D762,204 S 7/2016 Armstrong et al.
D774,498 S * 12/2016 Tao D14/250
D776,105 S 1/2017 Han
D781,835 S * 3/2017 Kim D14/250
D789,347 S * 6/2017 Zamudio D14/250
D791,754 S 7/2017 Armstrong et al.
D837,776 S * 1/2019 Chung D14/250
D851,033 S * 6/2019 Yuk D13/103
D861,665 S * 10/2019 Li D14/250
D880,468 S * 4/2020 Lee D14/250
D888,660 S * 6/2020 Jen D13/103
D890,698 S * 7/2020 Liu D13/103
D902,912 S * 11/2020 Kim D14/250
D911,323 S * 2/2021 Kim D14/250
D912,035 S * 3/2021 Lee D14/250
D915,371 S * 4/2021 Cho D14/250
D915,383 S * 4/2021 Kim D14/250
D917,446 S * 4/2021 Ham D14/250
D928,768 S * 8/2021 Chung D14/250
D933,055 S * 10/2021 Dobson D14/250
D933,056 S * 10/2021 Kwon D14/250
D933,644 S * 10/2021 Choi D14/250
2006/0023872 A1 * 2/2006 Chang H04M 1/0283
379/440
2008/0233326 A1 * 9/2008 Hegemier H04M 1/0283
428/41.7
2009/0111534 A1 * 4/2009 Lu H05K 5/0243
455/575.1
2018/0139857 A1 * 5/2018 Cavenagh H04B 1/3888

* cited by examiner

FIG. 1

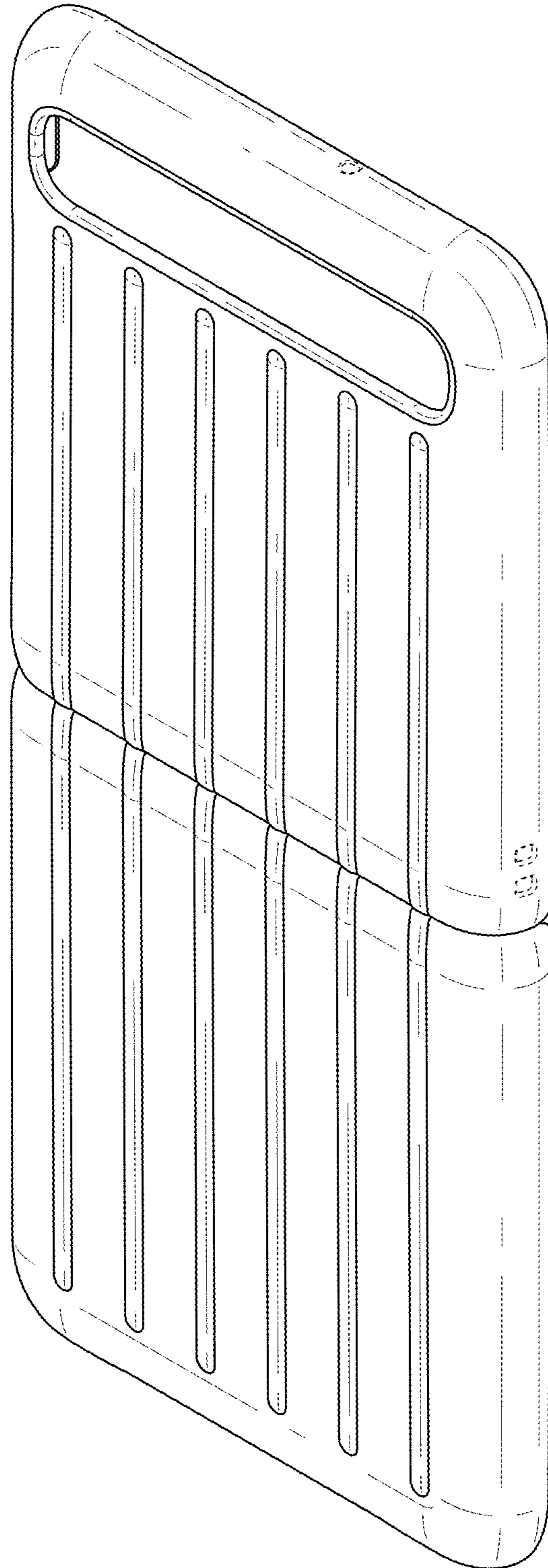


FIG. 2

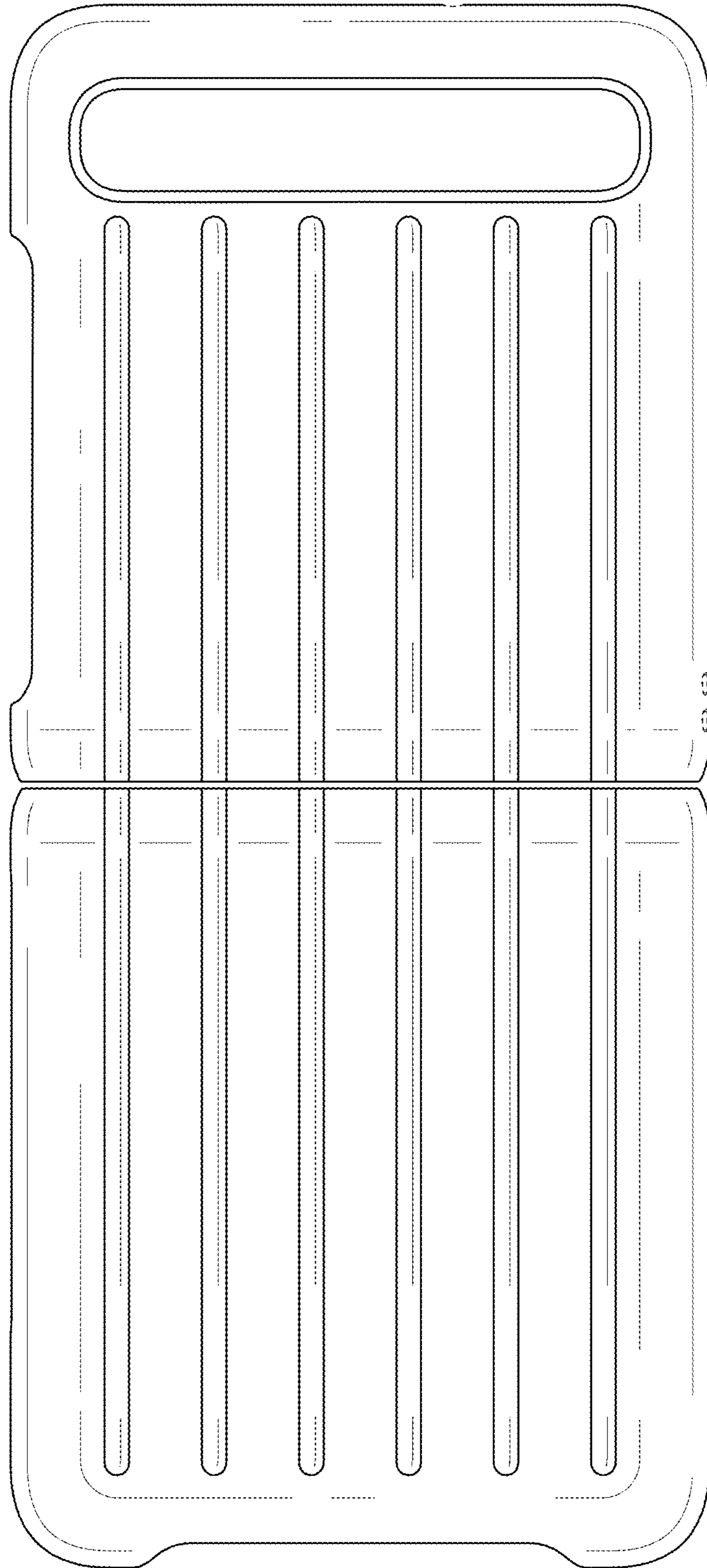


FIG. 3

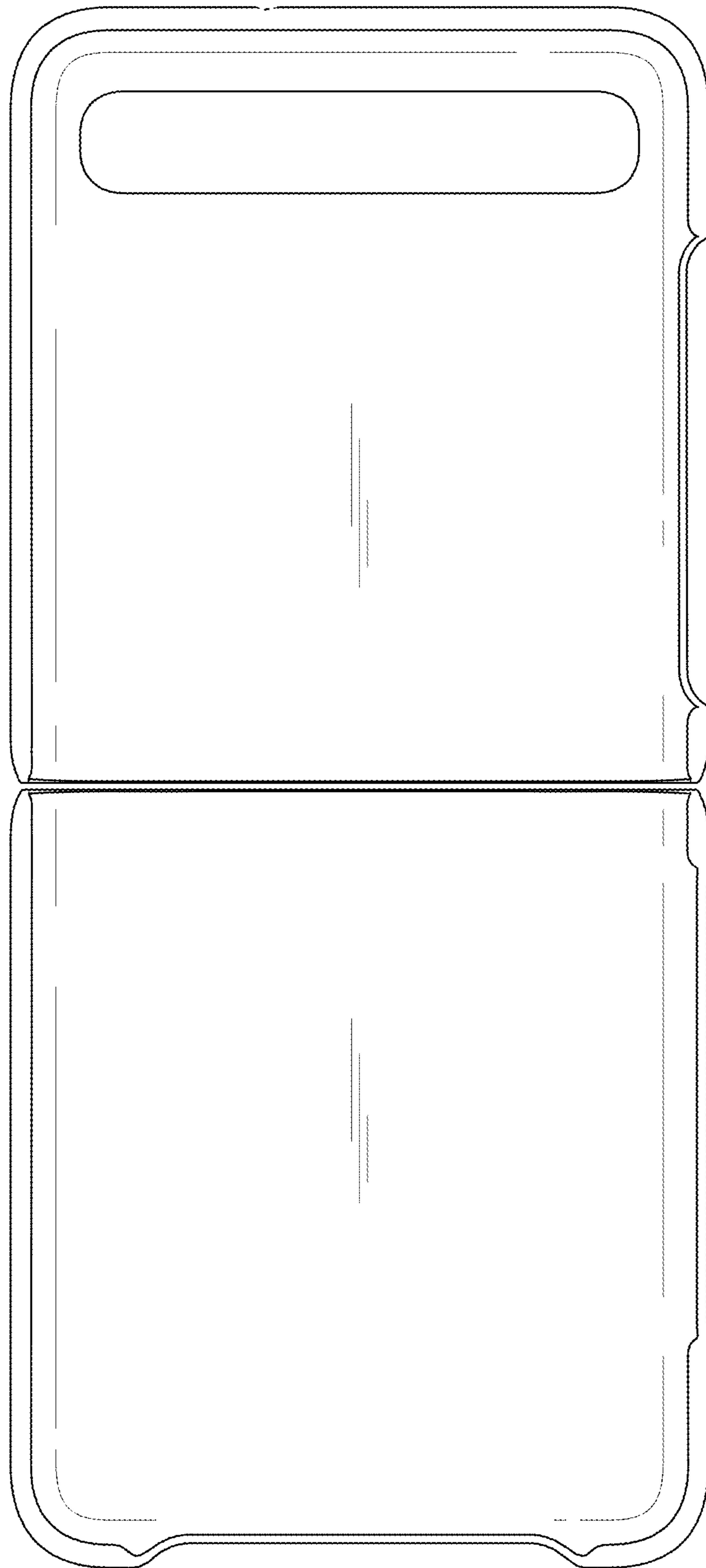


FIG. 4



FIG. 5

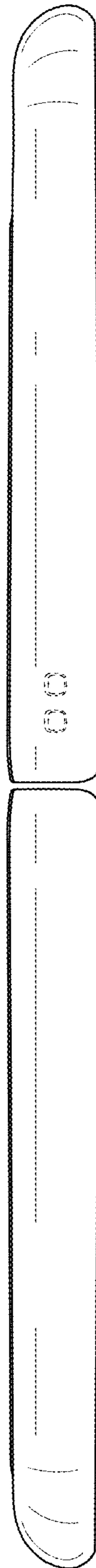


FIG. 6



FIG. 7

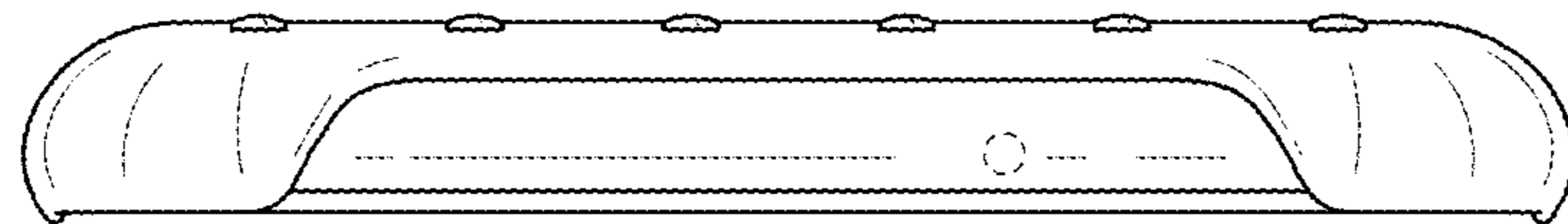


FIG. 8

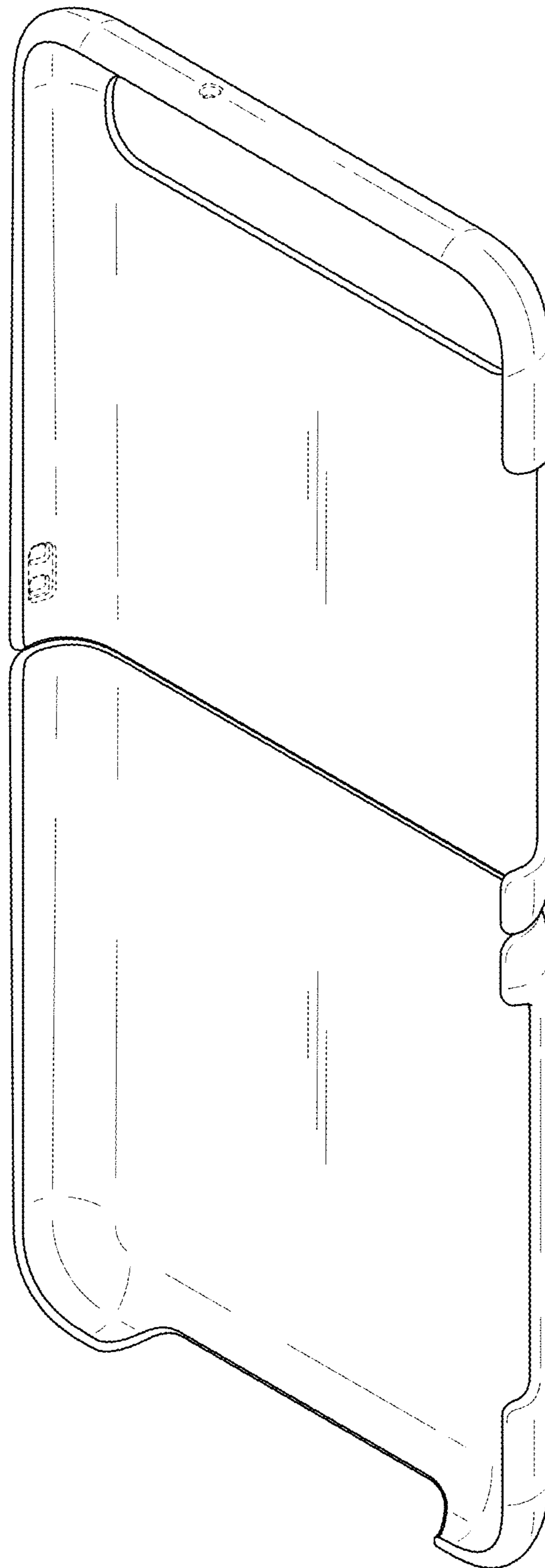


FIG. 9

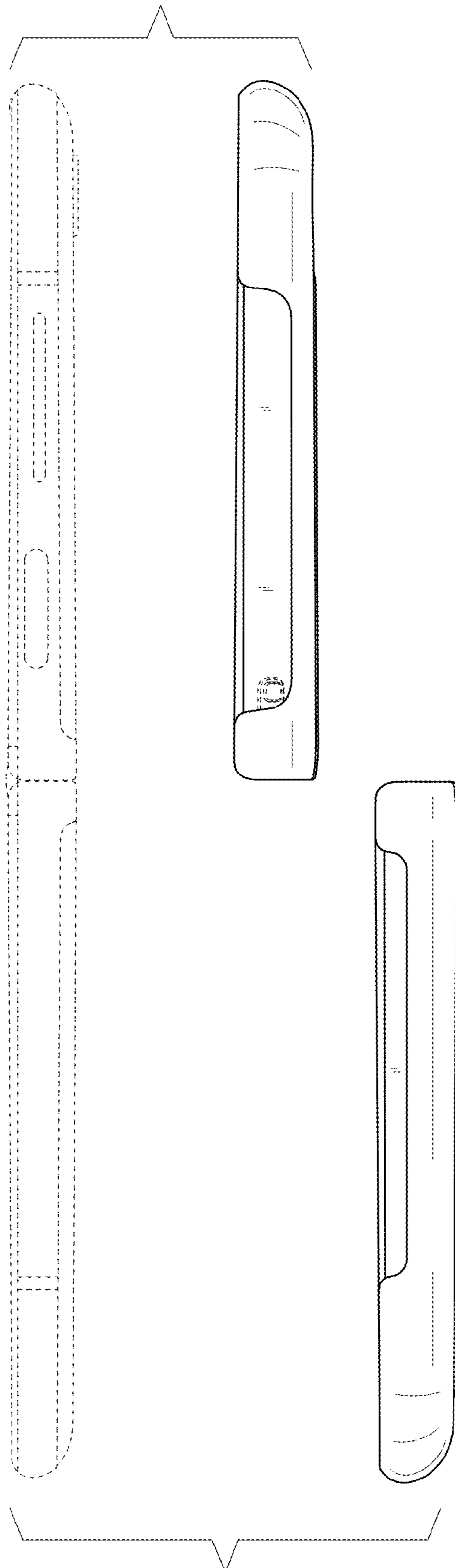


FIG. 10

