



US00D947827S

(12) **United States Design Patent**  
**Bai**

(10) **Patent No.:** **US D947,827 S**

(45) **Date of Patent:** **\*\* Apr. 5, 2022**

(54) **COMBINED MOBILE PHONE PROTECTIVE CASE AND GAME HANDLE**

(71) Applicant: **Weisen Bai**, Dongguan (CN)

(72) Inventor: **Weisen Bai**, Dongguan (CN)

(73) Assignee: **Dongguan Yuetao Plastic Electronics Technology Co., Ltd.**, Dongguan (CN)

(\*\*) Term: **15 Years**

(21) Appl. No.: **29/727,607**

(22) Filed: **Mar. 12, 2020**

(51) **LOC (13) Cl.** ..... **14-03**

(52) **U.S. Cl.**  
USPC ..... **D14/250; D21/333**

(58) **Field of Classification Search**  
USPC ..... D14/203.3–203.7, 439, 251–253, 447, D14/217, 240, 238.1, 250, 440, 248; D13/103, 107–108, 119; D3/201, 218, D3/247, 249, 269, 273, 301, 303; D21/324, 329, 333  
CPC . H04B 1/3888; A45C 13/02; A45C 2011/002; A45C 1/06; A45C 11/00; A45F 2005/026; A45F 2200/0525; A45F 2200/0516; H04M 1/0283; H04M 1/0202  
See application file for complete search history.

(56) **References Cited**

**U.S. PATENT DOCUMENTS**

D461,631 S *	8/2002	Hussaini .....	D3/218
D624,129 S *	9/2010	Lim .....	D21/333
D678,259 S *	3/2013	Moore .....	D14/250
D703,656 S *	4/2014	Witter .....	D14/250
D720,342 S *	12/2014	Starrett .....	D14/252
D751,058 S *	3/2016	Cocchia .....	D14/250
D765,642 S *	9/2016	Bulkley .....	D14/250

D769,233 S *	10/2016	Qian .....	D14/250
D771,027 S *	11/2016	Prstojevich .....	D14/250
D778,271 S *	2/2017	Stump .....	D14/250
D840,992 S *	2/2019	Kim .....	D14/250
D841,639 S *	2/2019	Liao .....	D14/250
D843,363 S *	3/2019	Yan .....	D14/250
D845,290 S *	4/2019	Brubaker .....	D14/250
D849,735 S *	5/2019	Fang .....	D14/250
D857,682 S *	8/2019	Wang .....	D14/250
10,525,360 B1 *	1/2020	Corigliano .....	A63F 13/92
D875,834 S *	2/2020	Tien .....	D21/333

(Continued)

*Primary Examiner* — Carla J Wright

(57) **CLAIM**

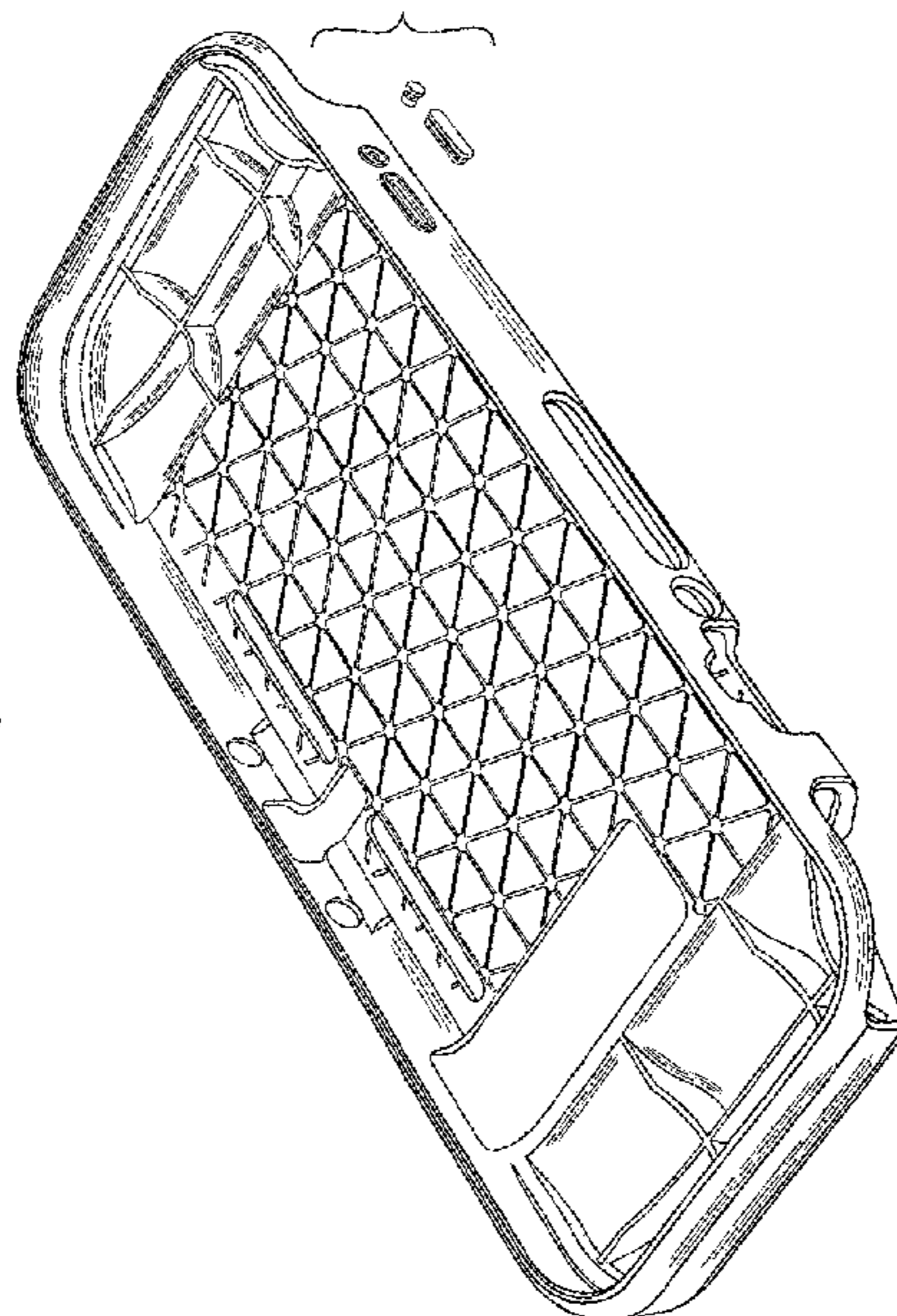
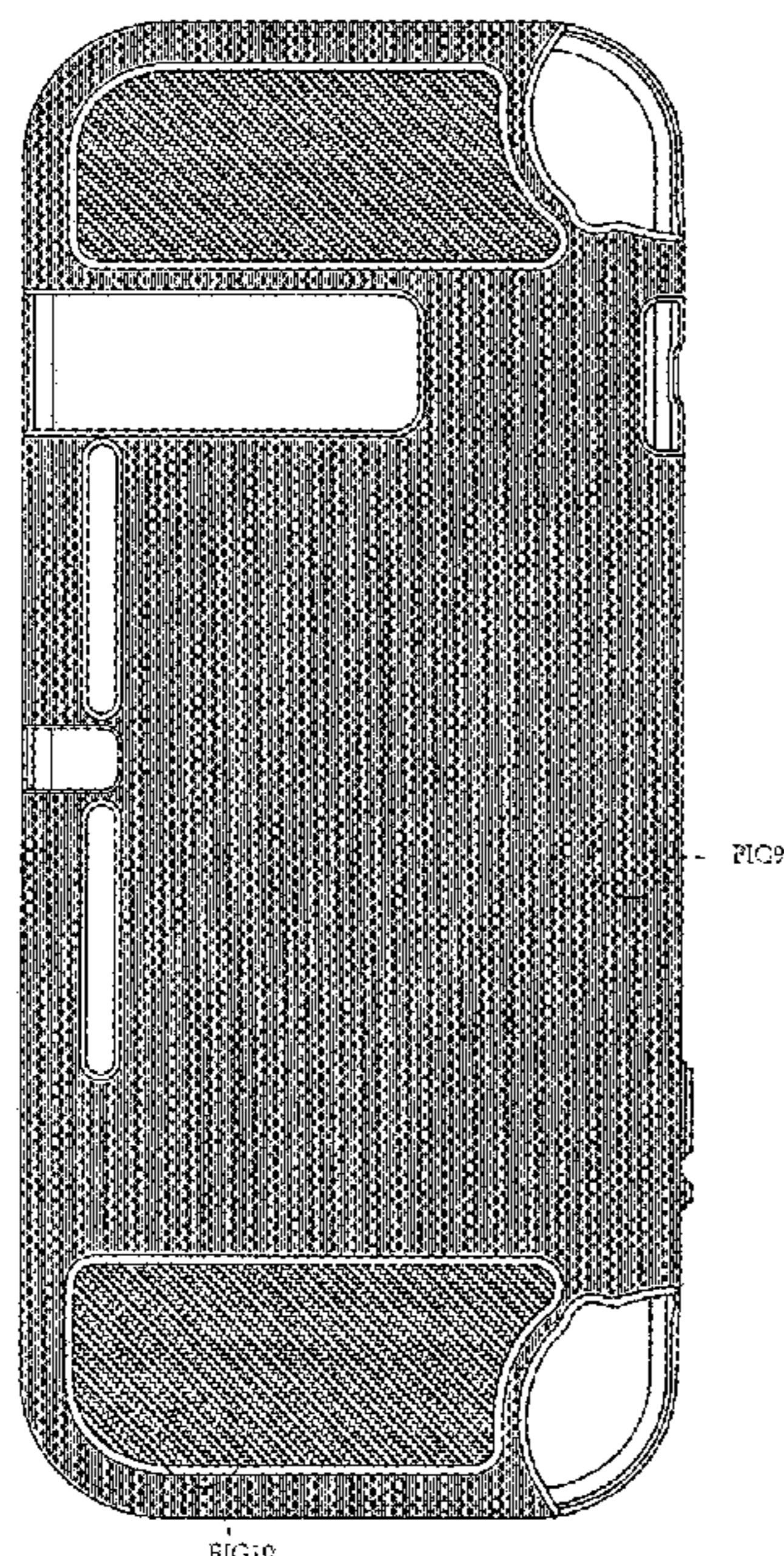
The ornamental design for a combined mobile phone protective case and game handle, as shown and described.

**DESCRIPTION**

FIG. 1 is a front elevation view of a combined mobile phone protective case and game handle showing my new design; FIG. 2 is a rear elevation view thereof; FIG. 3 is a left side elevation view thereof; FIG. 4 is a right side elevation view thereof; FIG. 5 is a top plan view thereof, shown enlarged in scale; FIG. 6 is a bottom plan view thereof, shown enlarged in scale; FIG. 7 is a rear, right-side, and top perspective view thereof; FIG. 8 is a front, left-side, and top perspective view thereof; FIG. 9 is an enlarged detail view of a first encircled region of FIG. 1; and, FIG. 10 is an enlarged detail view of a second encircled region of FIG. 1.

The broken line circles in FIGS. 1 and 9-10 form no part of the claimed design and delineate portions of the claimed design that are shown on an enlarged scale in FIGS. 9 and 10.

**1 Claim, 10 Drawing Sheets**



(56)

**References Cited**

U.S. PATENT DOCUMENTS

D881,992 S *	4/2020	Liu .....	D21/333
D892,804 S *	8/2020	Lin .....	D14/440
D900,227 S *	10/2020	Jung .....	D21/333
D906,310 S *	12/2020	Kim .....	D14/250
D916,980 S *	4/2021	Chen .....	D21/333
2016/0043514 A1 *	2/2016	George .....	H01R 13/665 439/501
2017/0222683 A1 *	8/2017	Adelmann .....	H02J 7/0044
2021/0008459 A1 *	1/2021	Miyatake .....	H04M 1/185

\* cited by examiner

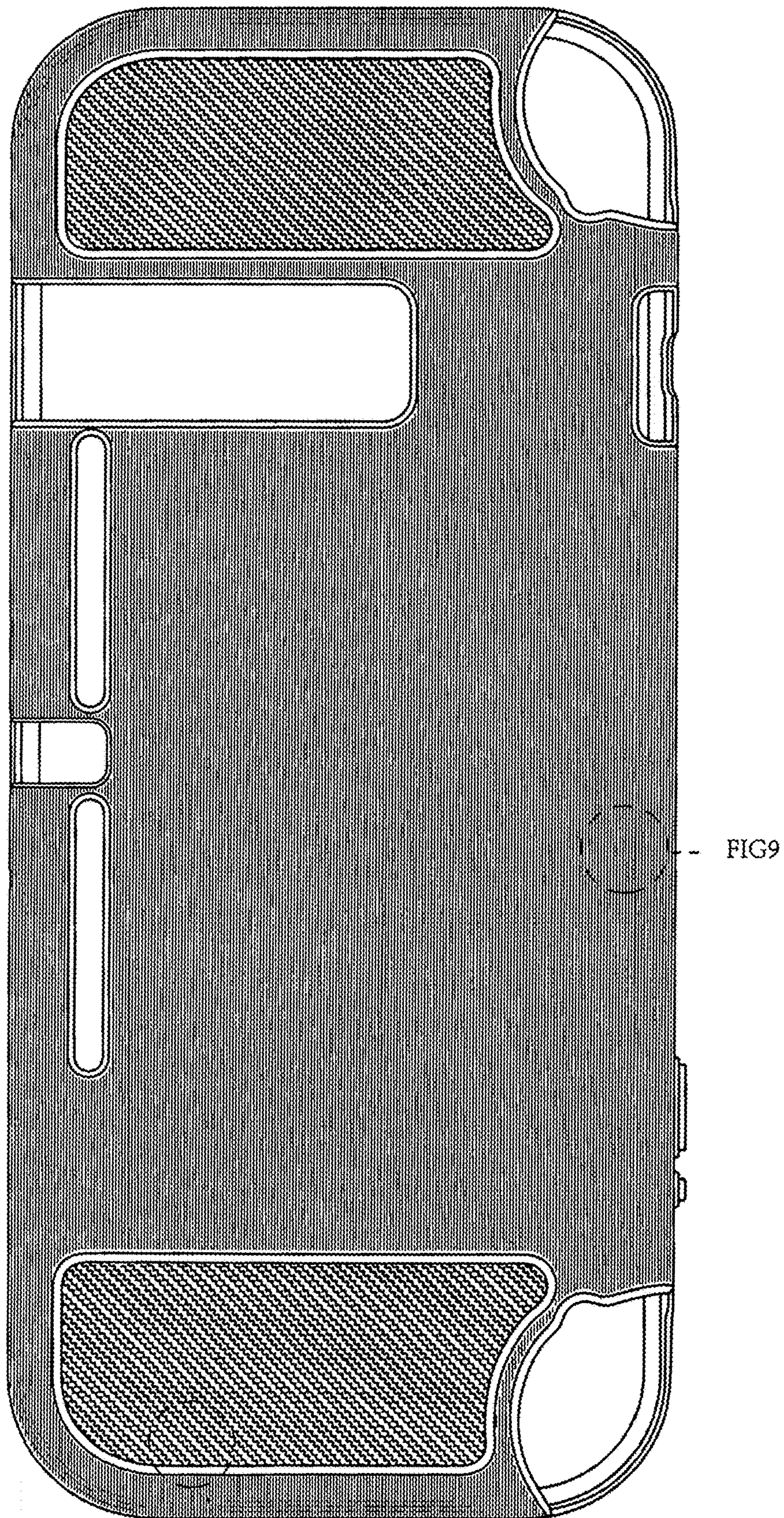


FIG. 10

FIG. 1

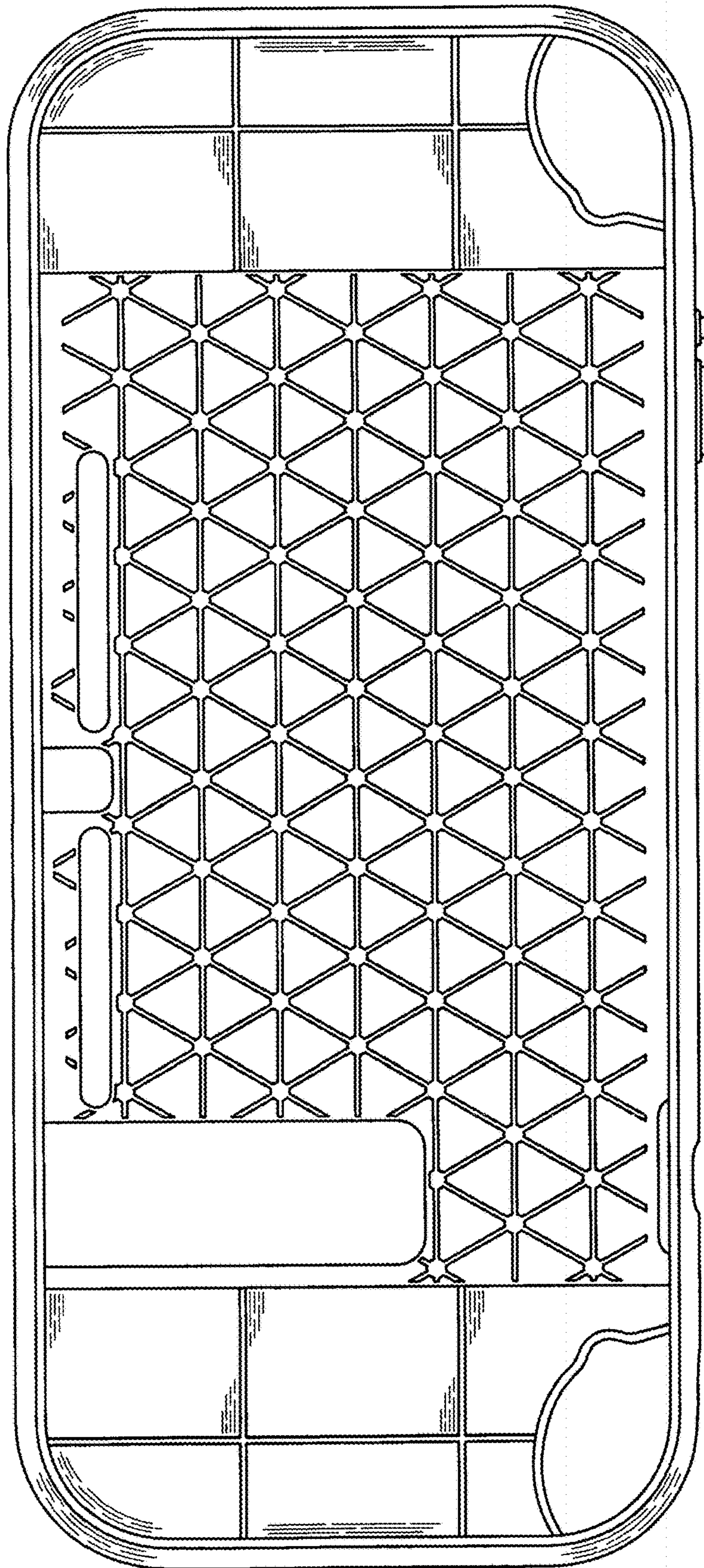


FIG. 2

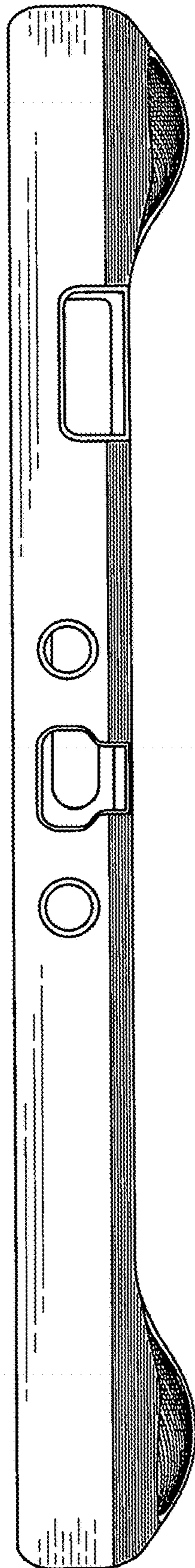


FIG. 3

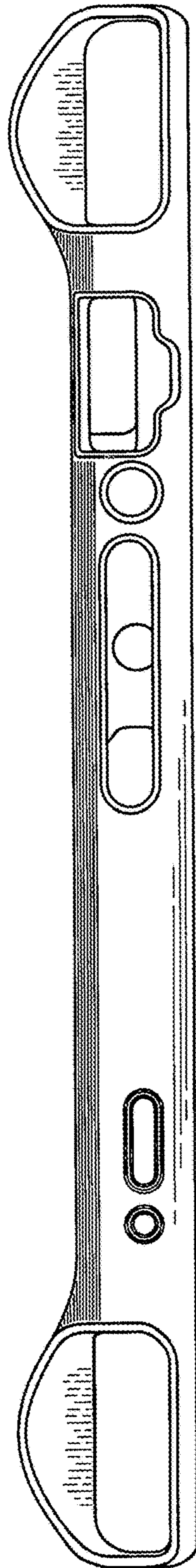


FIG. 4

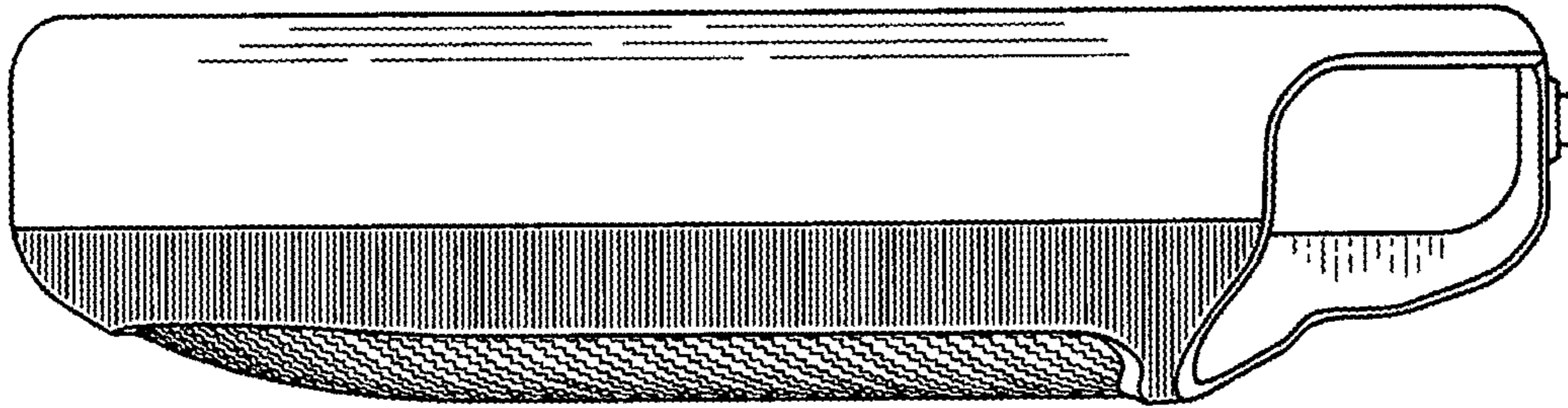


FIG. 5

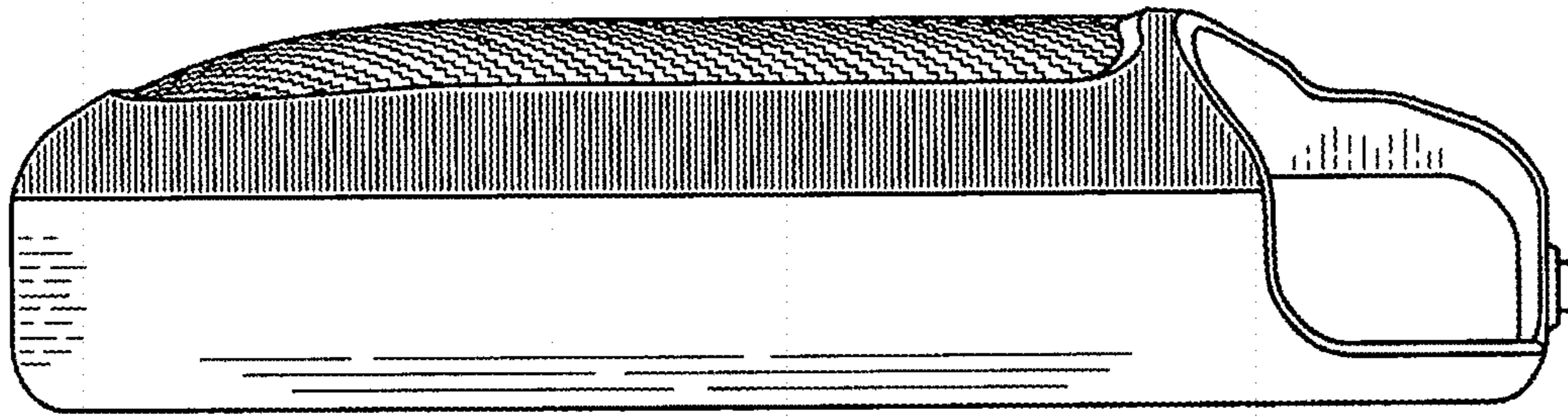


FIG. 6



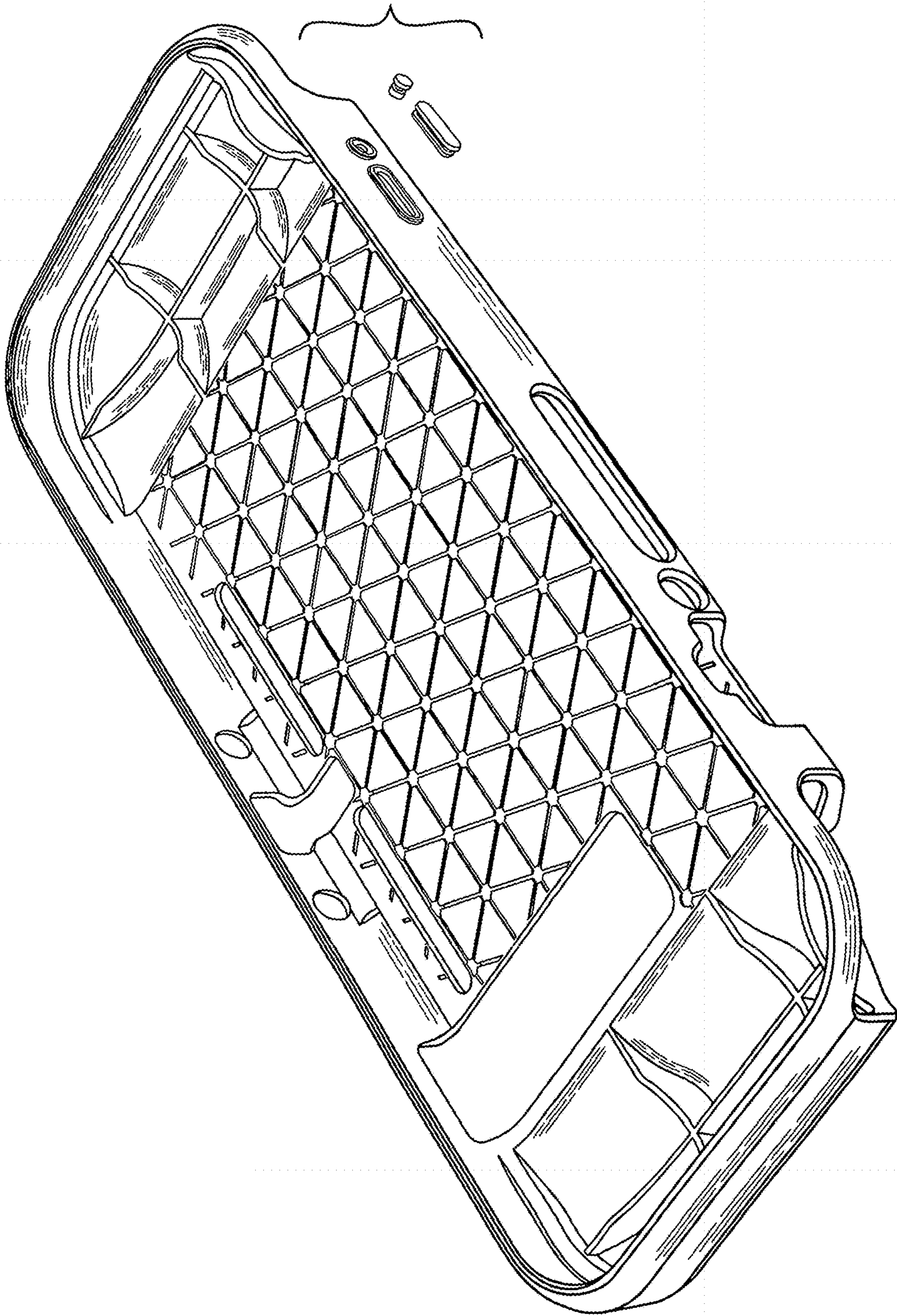


FIG. 7

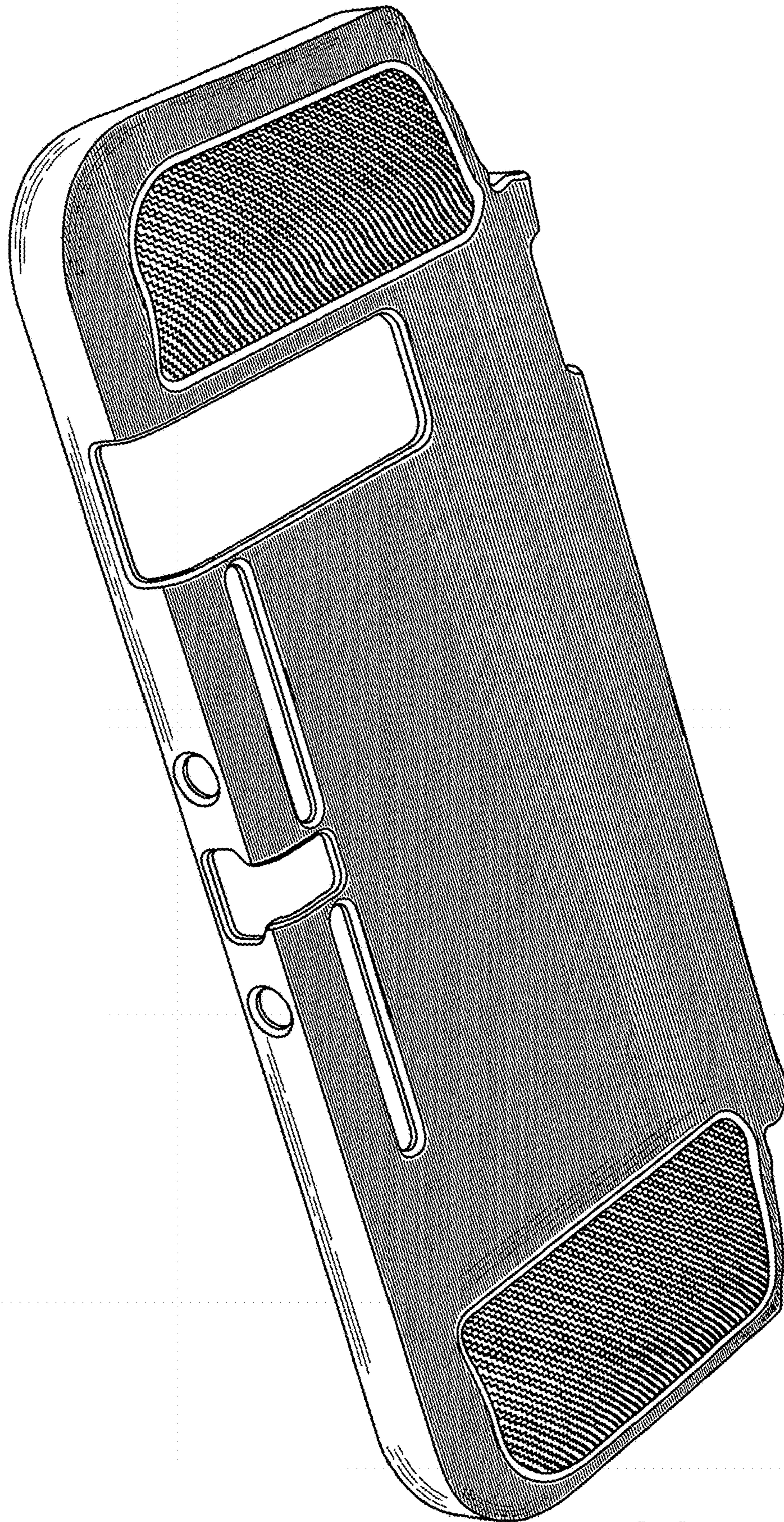
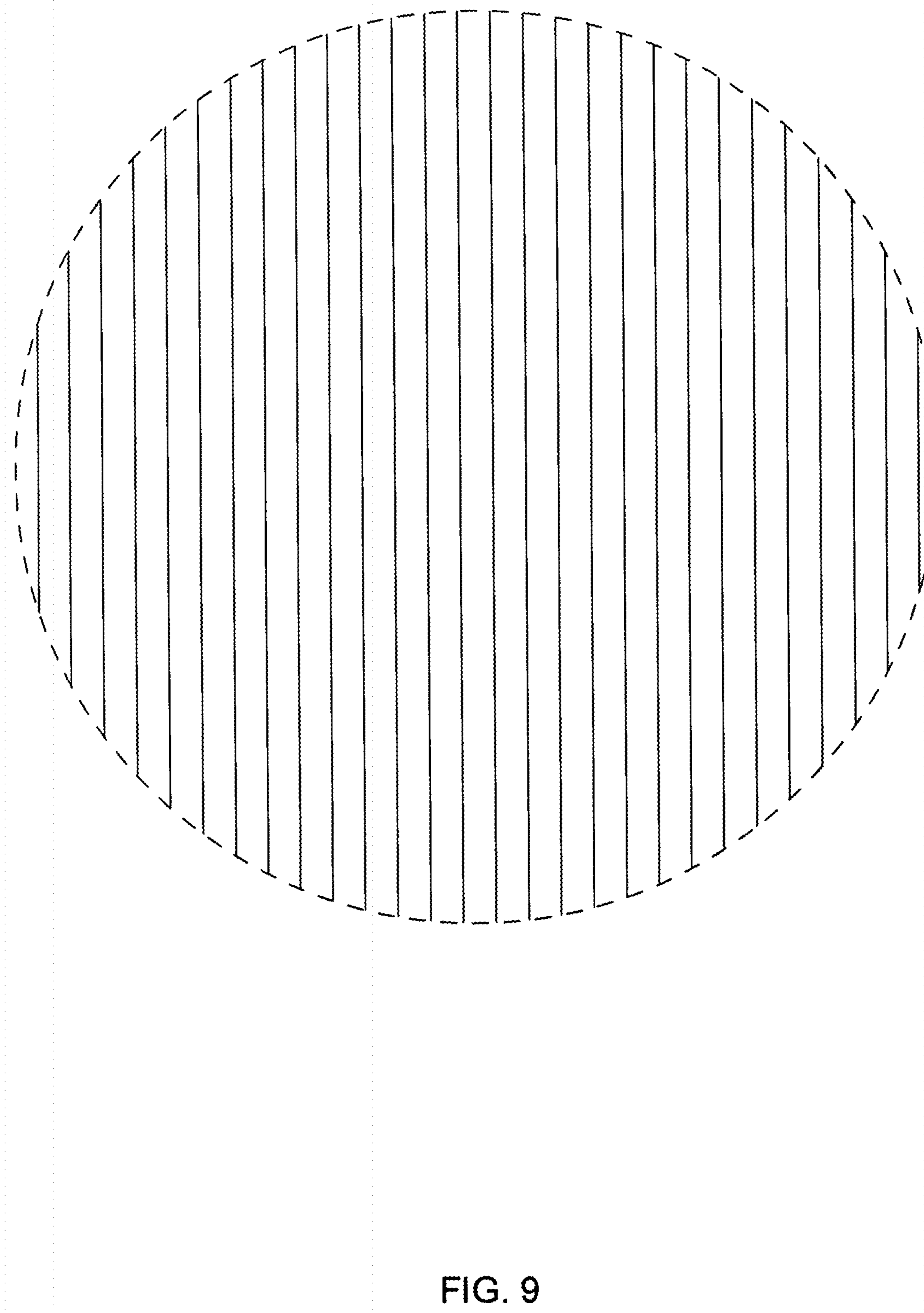


FIG. 8



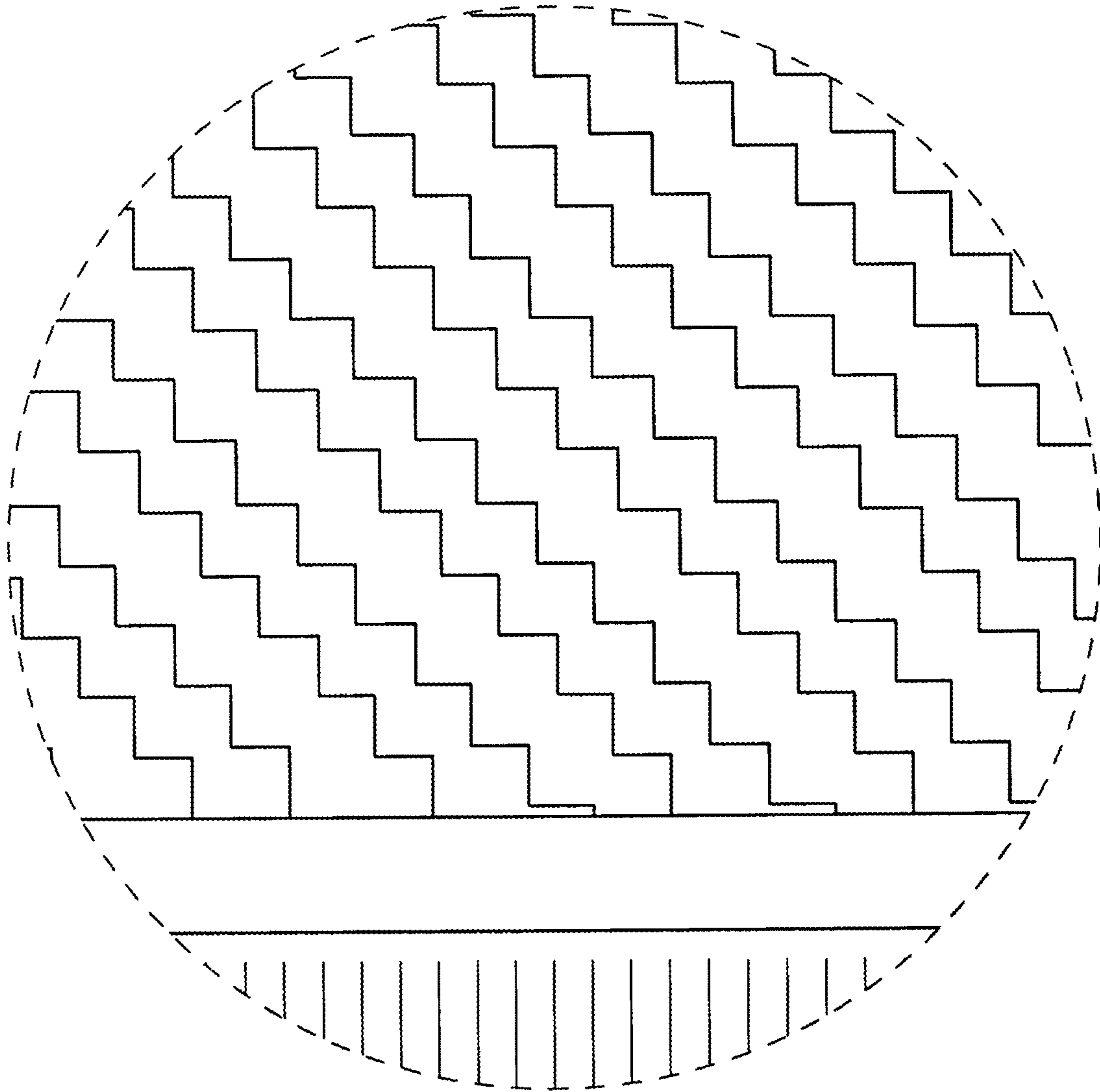


FIG. 10