



US00D947824S

(12) **United States Design Patent**  
**Park et al.**

(10) **Patent No.:** **US D947,824 S**

(45) **Date of Patent:** **\*\* Apr. 5, 2022**

(54) **SMART POLE WITH WI-FI ROUTER**

(71) Applicant: **LG ELECTRONICS INC.**, Seoul (KR)

(72) Inventors: **Jaeyong Park**, Seoul (KR); **Miju Kim**, Seoul (KR); **Junhee Yeo**, Seoul (KR)

(73) Assignee: **LG ELECTRONICS INC.**, Seoul (KR)

(\*\*) Term: **15 Years**

(21) Appl. No.: **29/730,932**

(22) Filed: **Apr. 9, 2020**

(30) **Foreign Application Priority Data**

Nov. 28, 2019 (KR) ..... 30-2019-0057439

(51) **LOC (13) Cl.** ..... **14-03**

(52) **U.S. Cl.**  
USPC ..... **D14/242**

(58) **Field of Classification Search**  
USPC ..... D14/172, 204, 216, 242; D26/40  
CPC ..... F21L 19/00; F21V 35/00  
See application file for complete search history.

(56) **References Cited**

**U.S. PATENT DOCUMENTS**

- 4,054,791 A \* 10/1977 Du Shane ..... F21L 2/00  
362/35
- D273,461 S \* 4/1984 Sevenoaks ..... D9/500
- D693,688 S \* 11/2013 Russell ..... D9/504
- D747,022 S \* 1/2016 Leung ..... D26/40

- D813,678 S \* 3/2018 Kalagher ..... D9/504
- D870,701 S \* 12/2019 Lee ..... D14/211
- D870,705 S \* 12/2019 Lee ..... D14/216
- D905,012 S \* 12/2020 Lee ..... D14/216
- D916,009 S \* 4/2021 He ..... D13/103
- 2015/0292731 A1\* 10/2015 Rutger ..... F21V 21/22  
362/86

**FOREIGN PATENT DOCUMENTS**

- CN 306561447 \* 5/2021
- WO WO209107001 \* 4/2020

\* cited by examiner

*Primary Examiner* — Khawaja Anwar

*Assistant Examiner* — Megan Tiana Rakos

(74) *Attorney, Agent, or Firm* — Birch, Stewart, Kolasch & Birch, LLP

(57) **CLAIM**

We claim the ornamental design for a smart pole with Wi-Fi router, as shown and described.

**DESCRIPTION**

FIG. 1 is a perspective view of a smart pole with Wi-Fi router showing the new design:

FIG. 2 is a front elevation view thereof;

FIG. 3 is a rear elevation view thereof;

FIG. 4 is a left-side elevation view thereof;

FIG. 5 is a right-side elevation view thereof;

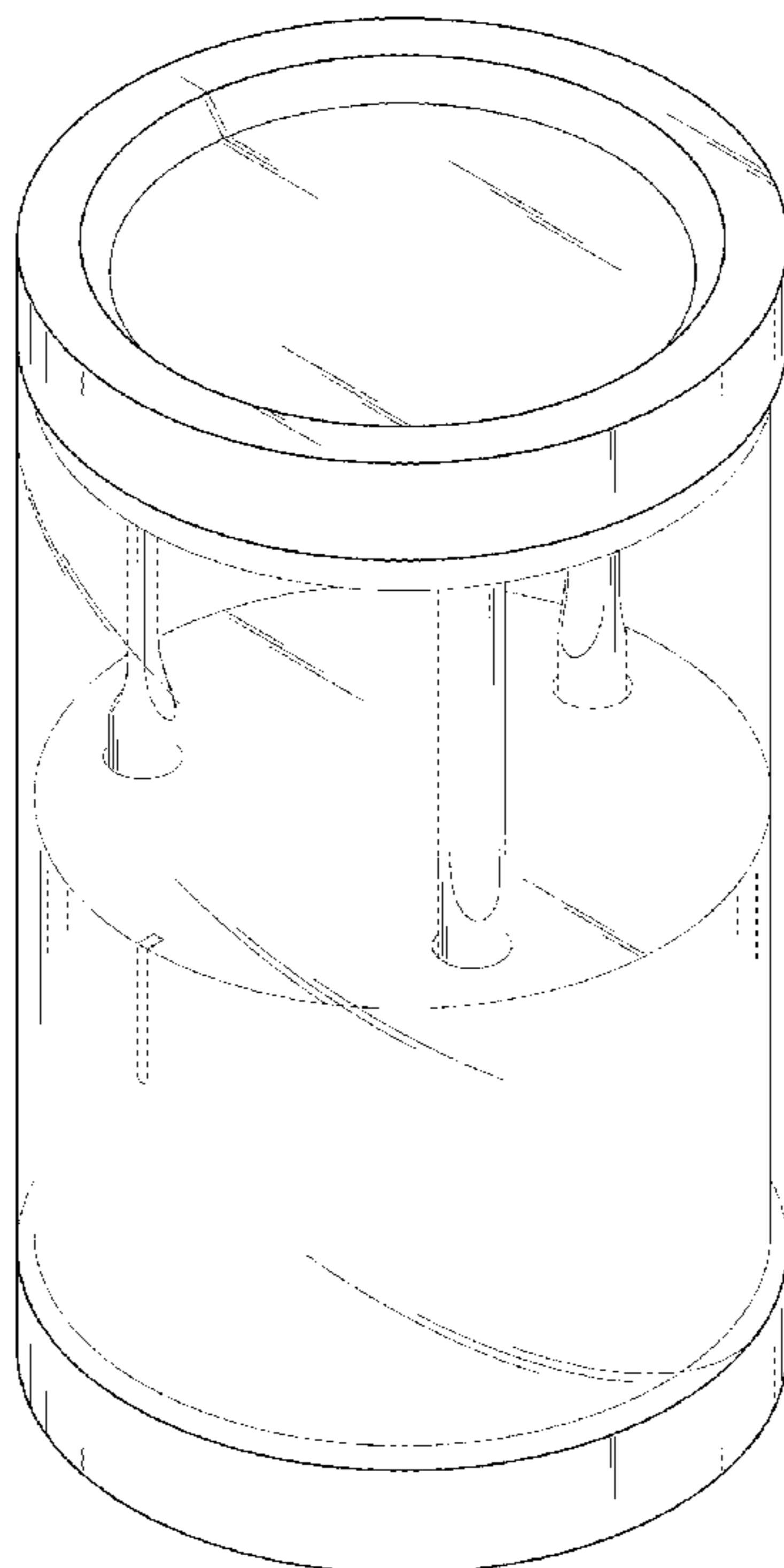
FIG. 6 is a top plan view thereof;

FIG. 7 is a bottom plan view thereof; and,

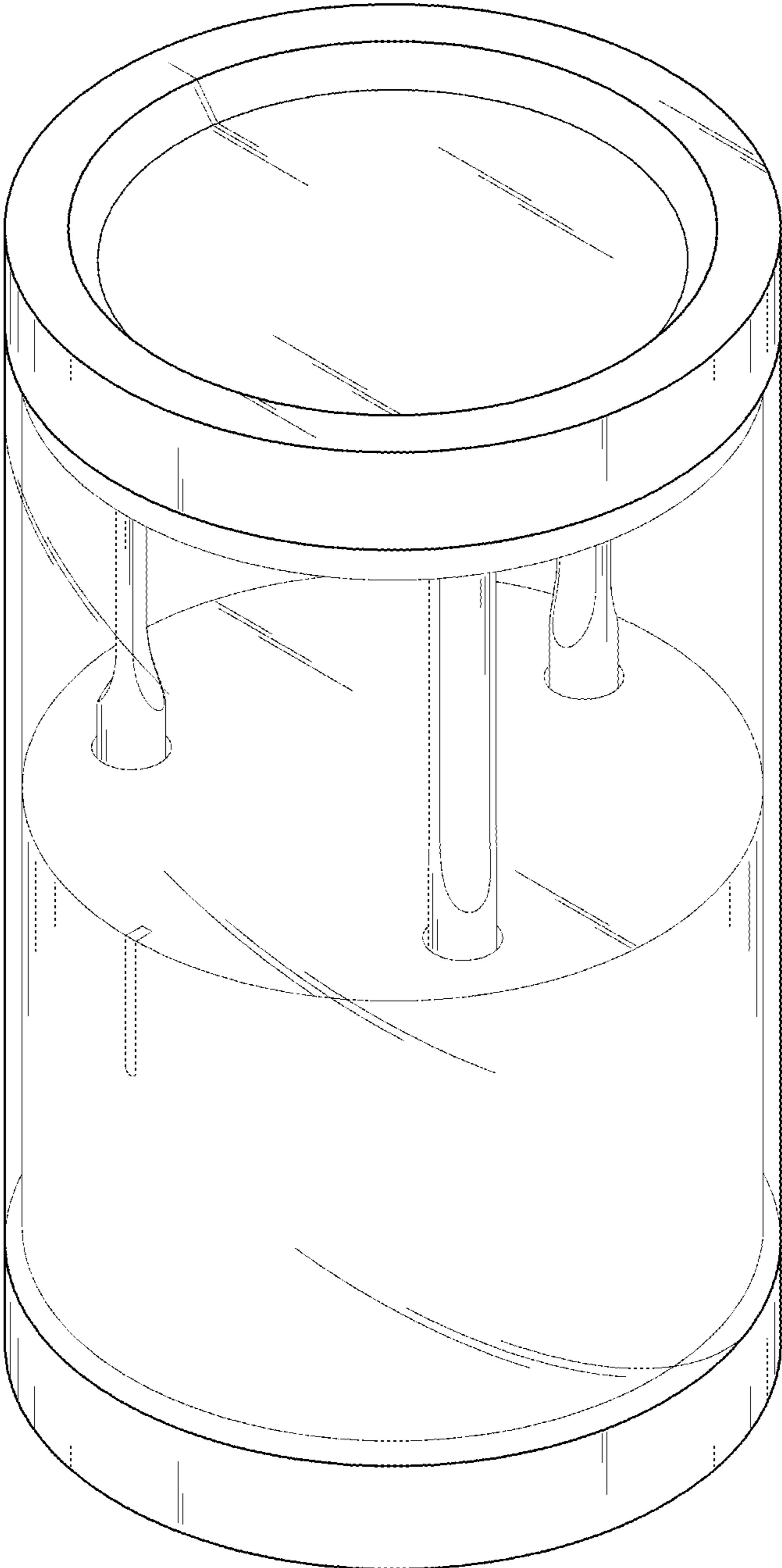
FIG. 8 is a perspective view in a state of use thereof.

Broken lines illustrate environmental condition only and form no part of the claimed design.

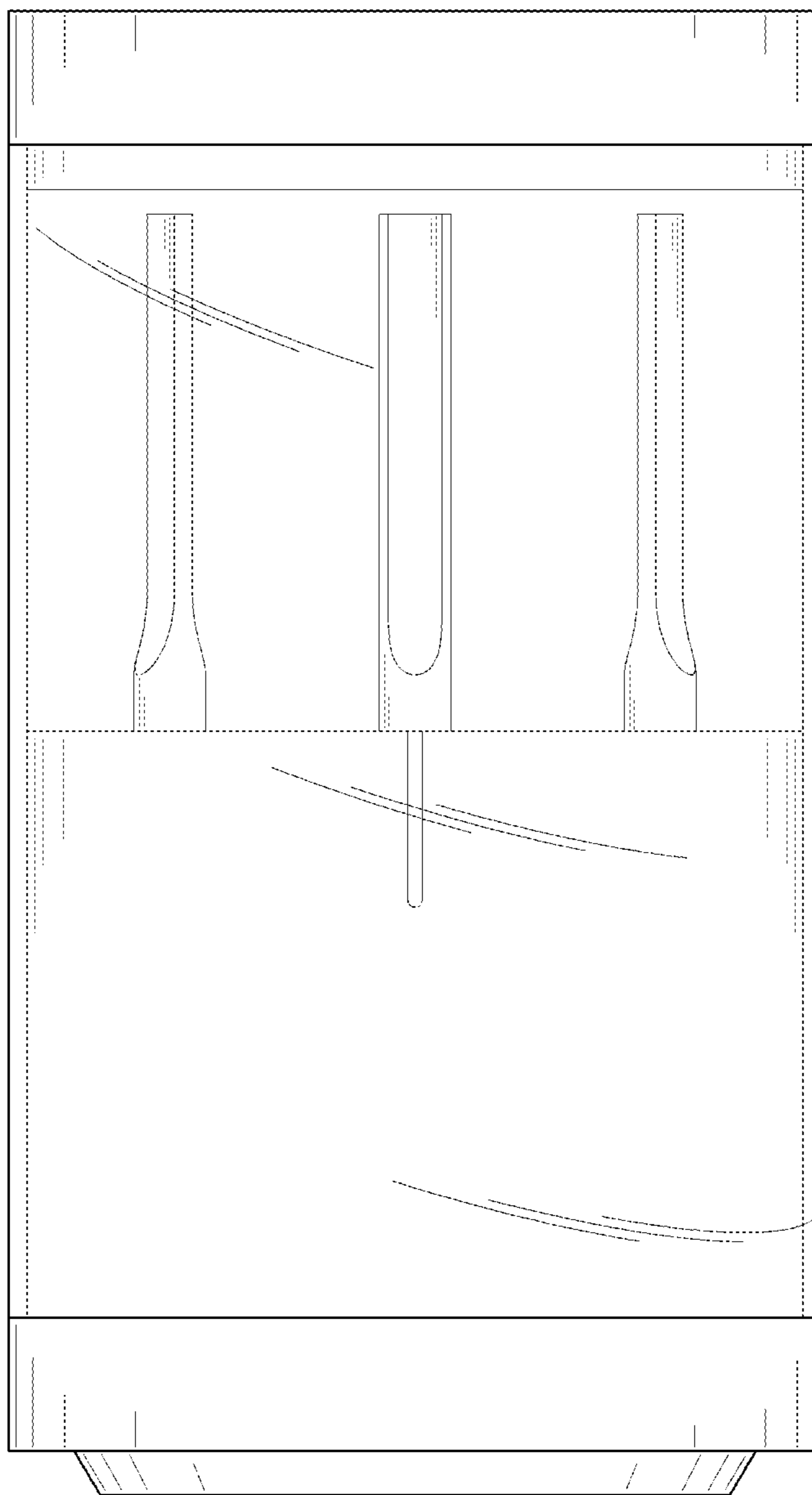
**1 Claim, 8 Drawing Sheets**



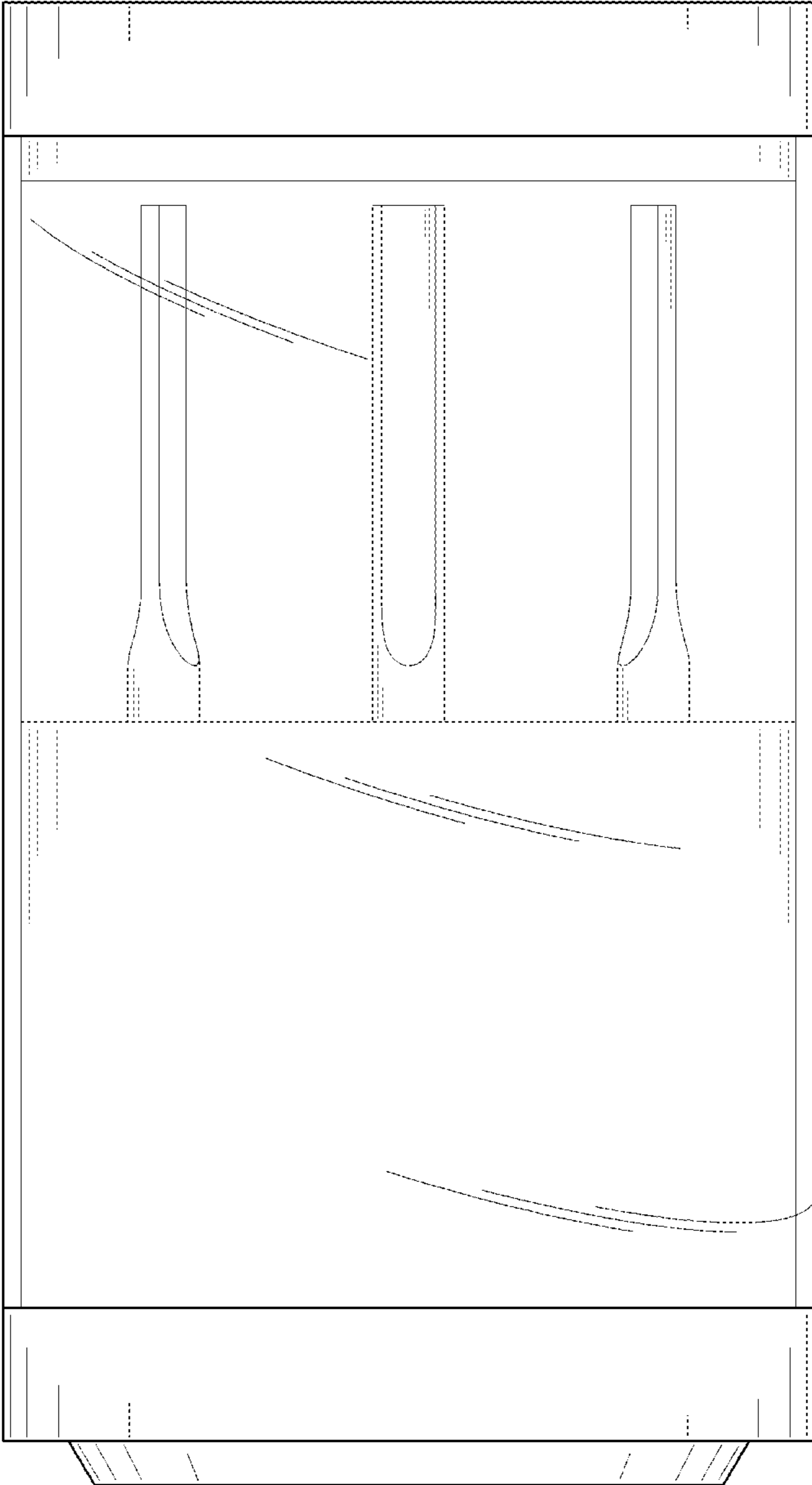
*FIG. 1*



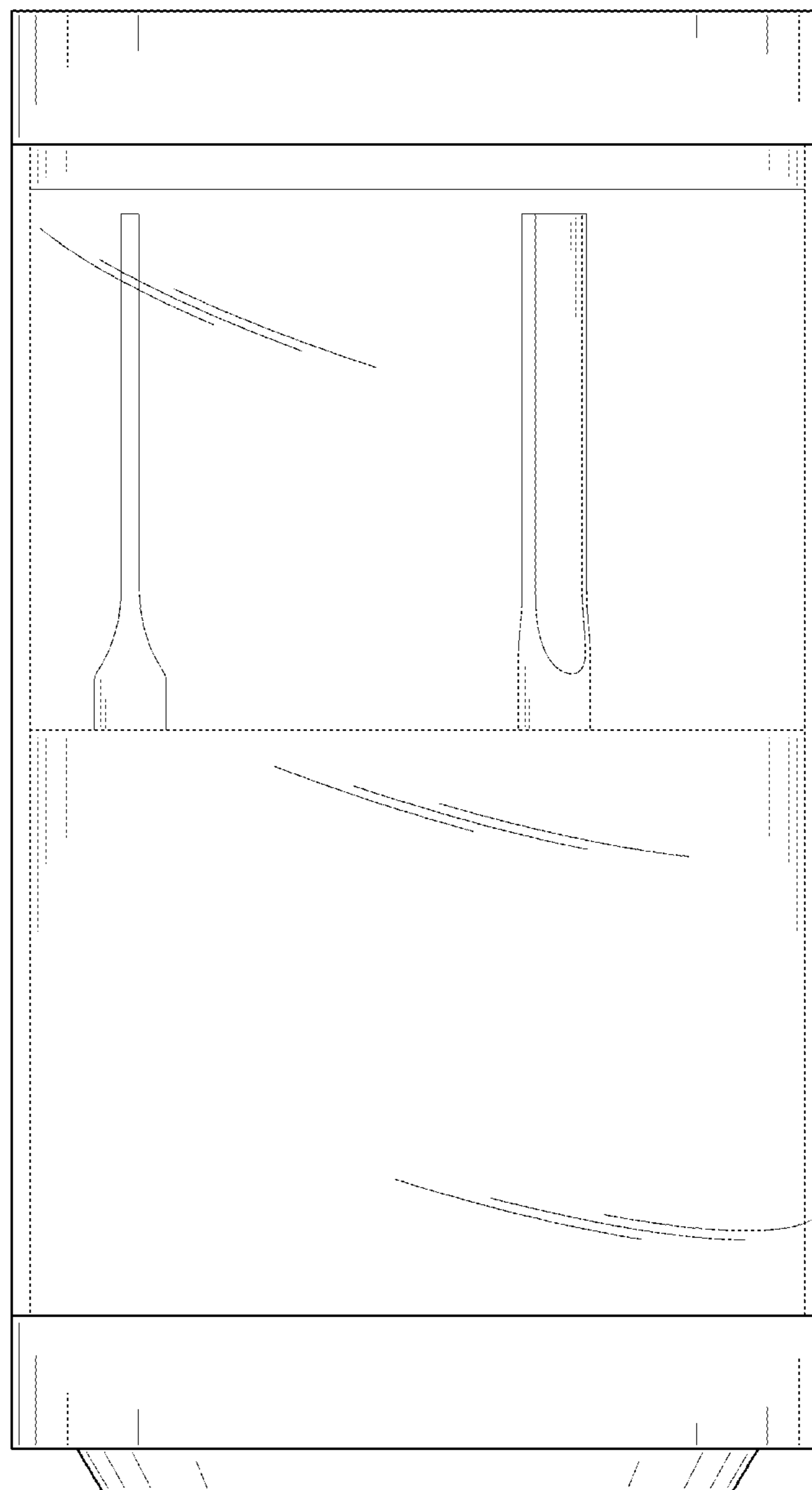
*FIG. 2*



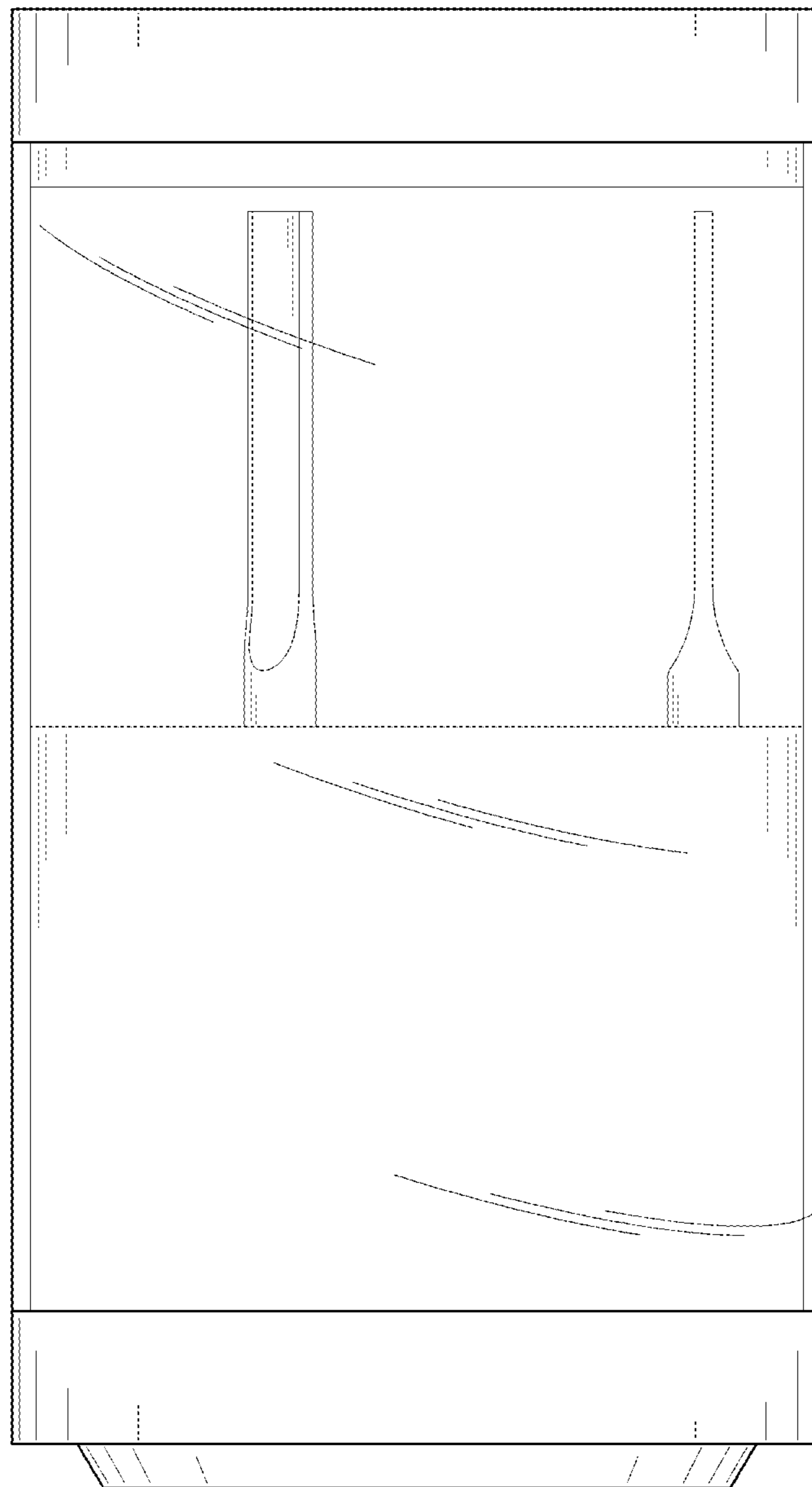
*FIG. 3*



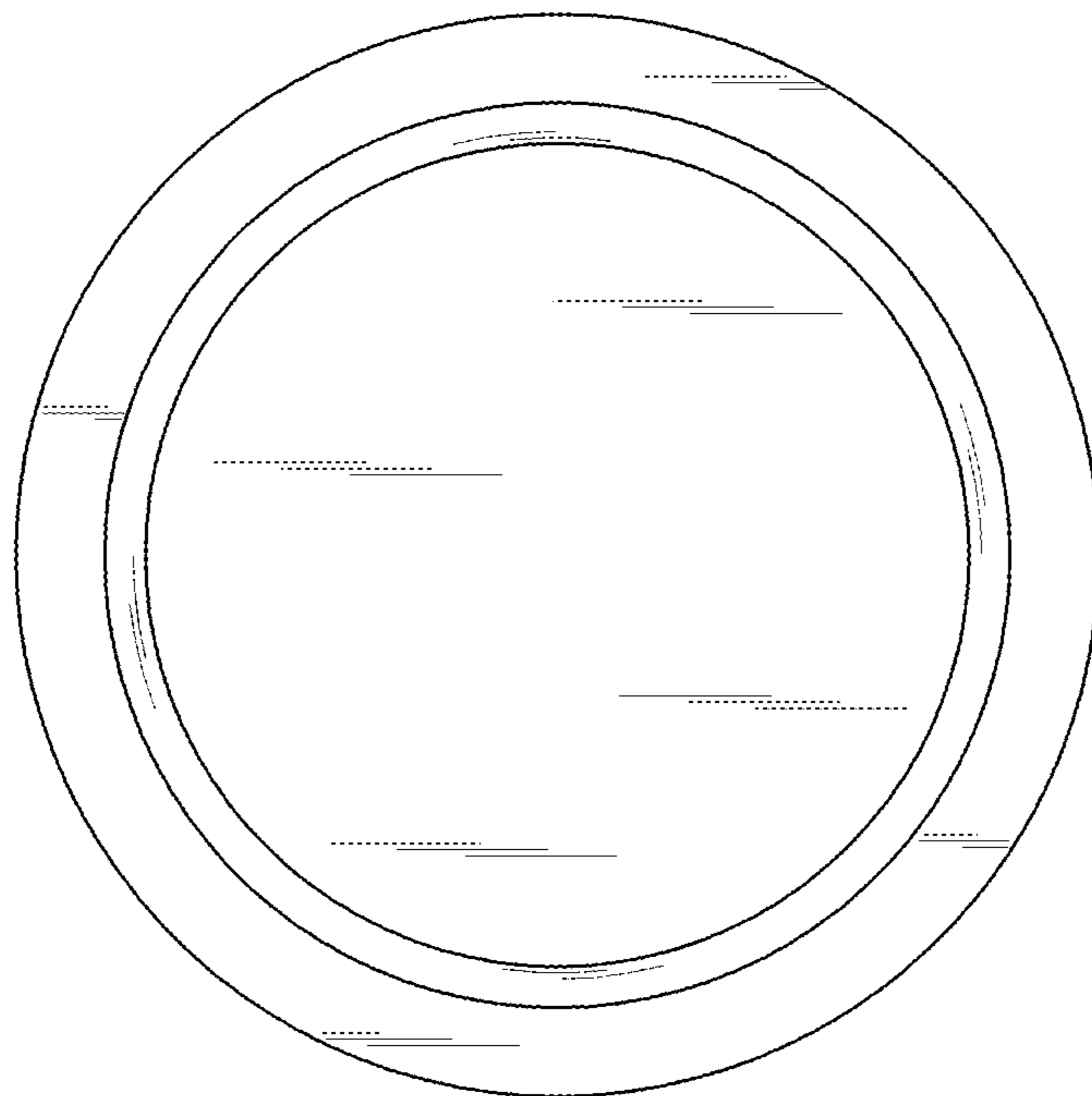
*FIG. 4*



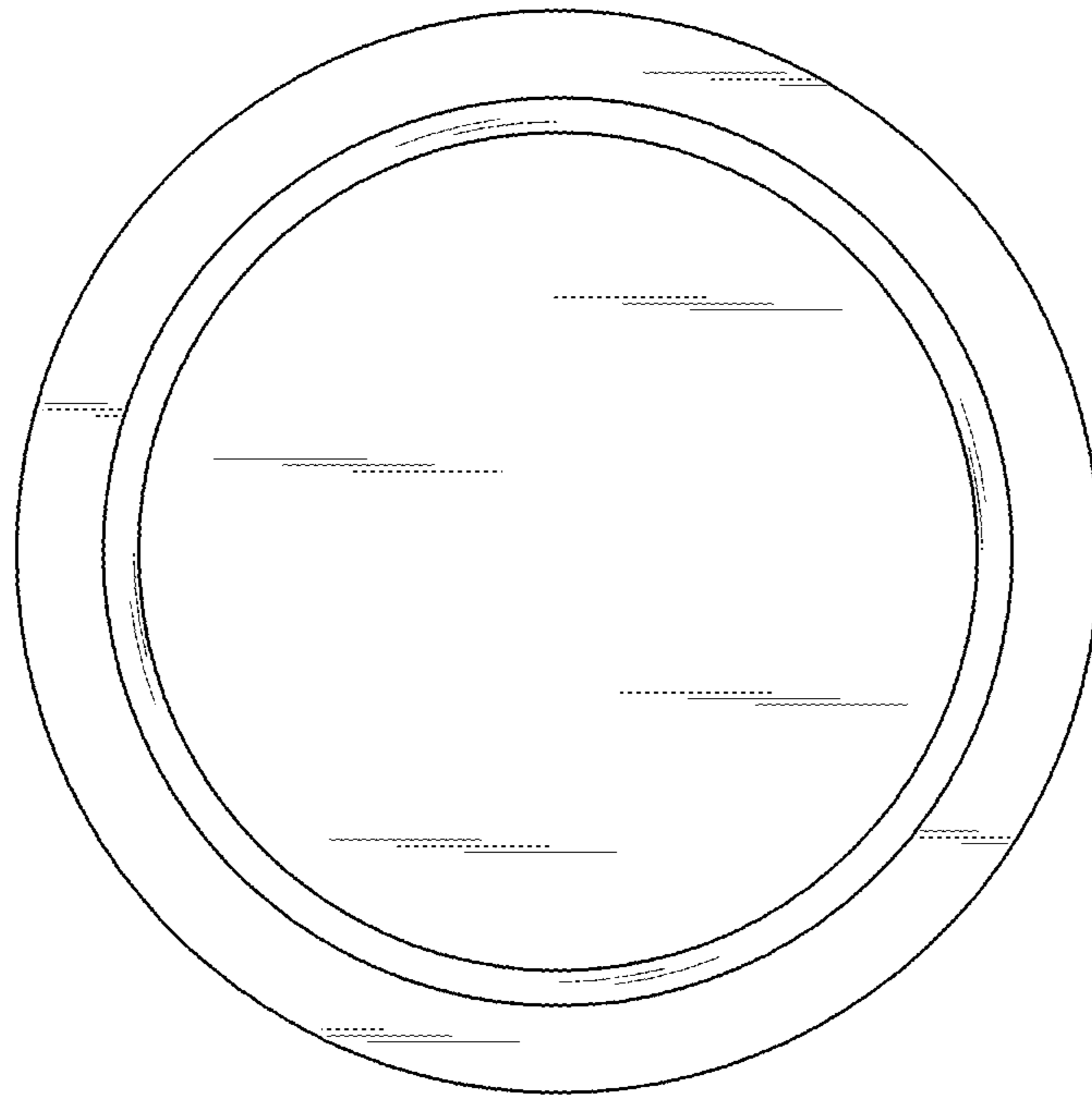
*FIG. 5*



*FIG. 6*



*FIG. 7*





*FIG. 8*

