



US00D947822S

(12) **United States Design Patent** (10) **Patent No.:** **US D947,822 S**
Lee et al. (45) **Date of Patent:** **** Apr. 5, 2022**

(54) **TELEVISION RECEIVER**

(71) Applicant: **Samsung Electronics Co., Ltd.**,
Suwon-si (KR)

(72) Inventors: **Seung-Ho Lee**, Suwon-si (KR);
Jang-Ho Kim, Suwon-si (KR);
Jae-Wook Yoo, Suwon-si (KR)

(73) Assignee: **SAMSUNG ELECTRONICS CO., LTD.**,
Suwon-si (KR)

(**) Term: **15 Years**

(21) Appl. No.: **29/724,049**

(22) Filed: **Feb. 12, 2020**

(30) **Foreign Application Priority Data**

Aug. 30, 2019 (KR) 30-2019-0041770

(51) **LOC (13) Cl.** **14-03**

(52) **U.S. Cl.**
USPC **D14/239**; D14/126; D14/451

(58) **Field of Classification Search**
USPC D14/125, 126, 127-137, 163, 172, 188,
D14/204, 205, 206, 210, 214, 219, 239,
D14/240, 257, 258, 305, 307, 314-316,
D14/335, 336, 340, 371-377, 447,
D14/448-451; D20/10, 17, 18, 19, 21,
D20/27, 39, 41, 42, 99; D21/329, 332,
D21/515; D6/300, 308, 309, 553, 574;
D10/15, 70; D18/4.4; D16/135, 242;
D15/89

CPC A47B 81/06; A47B 47/042; F16M 11/10;
G02B 25/002; G02B 6/0068; G06F 1/16;
G06F 1/1601; G06F 1/1637; G06F
1/1643; H04N 5/64; H04N 5/66; H04N
5/655; H04N 7/00; H04N 9/3141; H05K
5/0204; H05K 5/0004; H05K 5/0017;
H05K 5/0217; H05K 5/02

See application file for complete search history.

(56) **References Cited**

U.S. PATENT DOCUMENTS

D488,139 S * 4/2004 Takami D14/126
D625,278 S * 10/2010 Kim D14/126
D670,256 S * 11/2012 Kim D14/126

(Continued)

FOREIGN PATENT DOCUMENTS

CN 303585529 2/2016
EM 000661418-0006 12/2007

(Continued)

Primary Examiner — Ramzi Almatrahi

(74) *Attorney, Agent, or Firm* — McAndrews Held &
Malloy, Ltd.

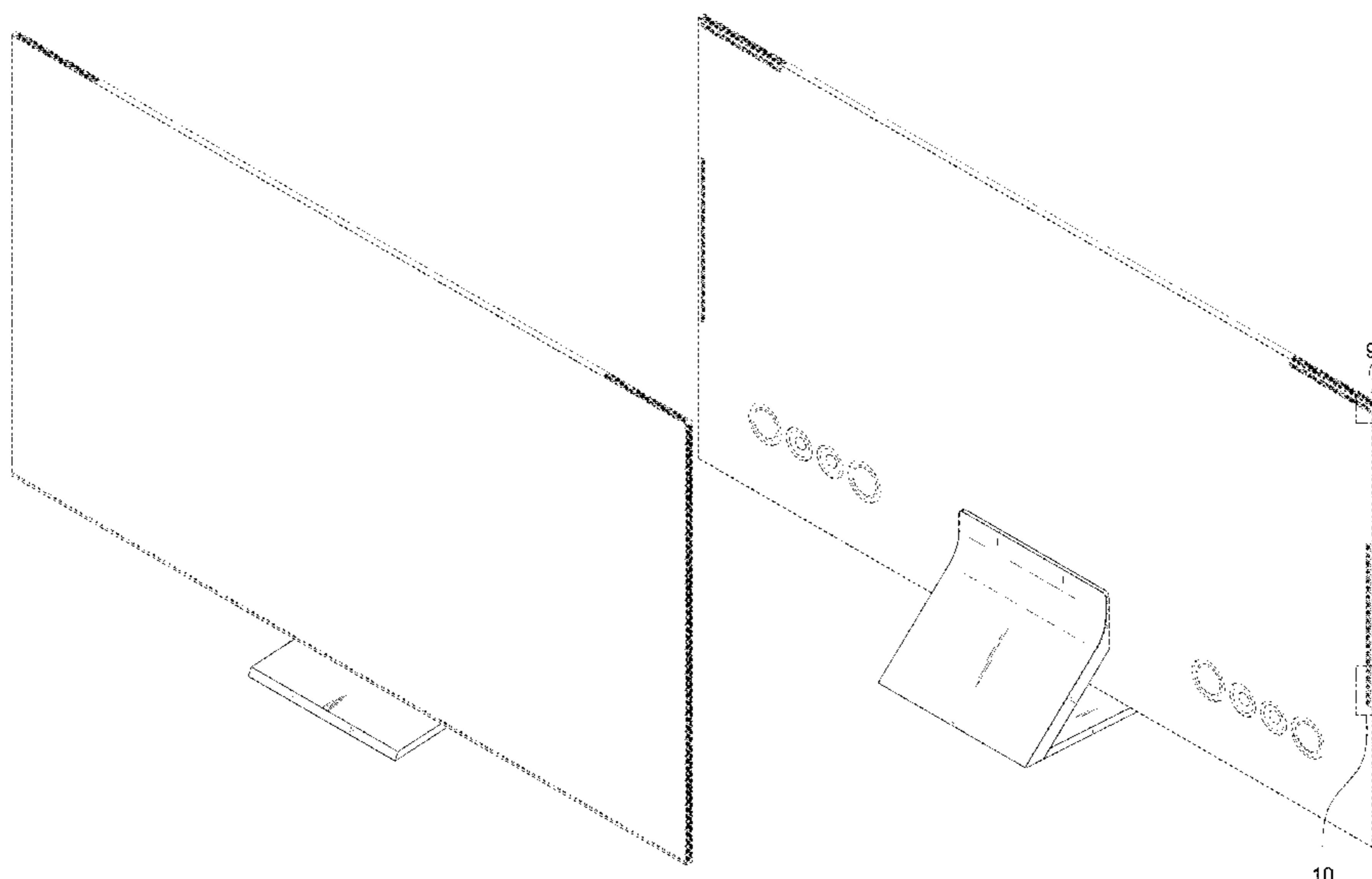
(57) **CLAIM**

The ornamental design for a television receiver, as shown
and described.

DESCRIPTION

FIG. 1 is a front perspective view of a television receiver
showing our new design;
FIG. 2 is a front elevation view thereof;
FIG. 3 is a rear elevation view thereof;
FIG. 4 is a left side elevation view thereof;
FIG. 5 is a right side elevation view thereof;
FIG. 6 is a top plan view thereof;
FIG. 7 is a bottom plan view thereof;
FIG. 8 is a rear perspective view thereof;
FIG. 9 is an enlarged view of portion 9 shown in FIG. 8; and,
FIG. 10 is an enlarged view of portion 10 shown in FIG. 8.
The broken lines depict portions of the television receiver
that form no part of the claimed design. The dot-dash broken
lines encircling an enlargement portion of the design forms
no part of the claimed design.

1 Claim, 10 Drawing Sheets



(56)

References Cited

U.S. PATENT DOCUMENTS

D719,142	S	*	12/2014	Lee	D14/239
D721,666	S	*	1/2015	Son	D14/126
D737,232	S	*	8/2015	Choi	D14/126
D738,338	S	*	9/2015	Lee	D14/126
D741,276	S	*	10/2015	Shin	D14/126
D758,332	S	*	6/2016	Won	D14/126
D760,679	S	*	7/2016	Lee	D14/126
D766,859	S	*	9/2016	Won	D14/126
D905,650	S	*	12/2020	Lee	D14/126
D920,324	S	*	5/2021	Warren	D14/336

FOREIGN PATENT DOCUMENTS

EM	001905902-0004	3/2012
KR	300603905	7/2011
KR	300944862	2/2018

* cited by examiner

FIG. 1

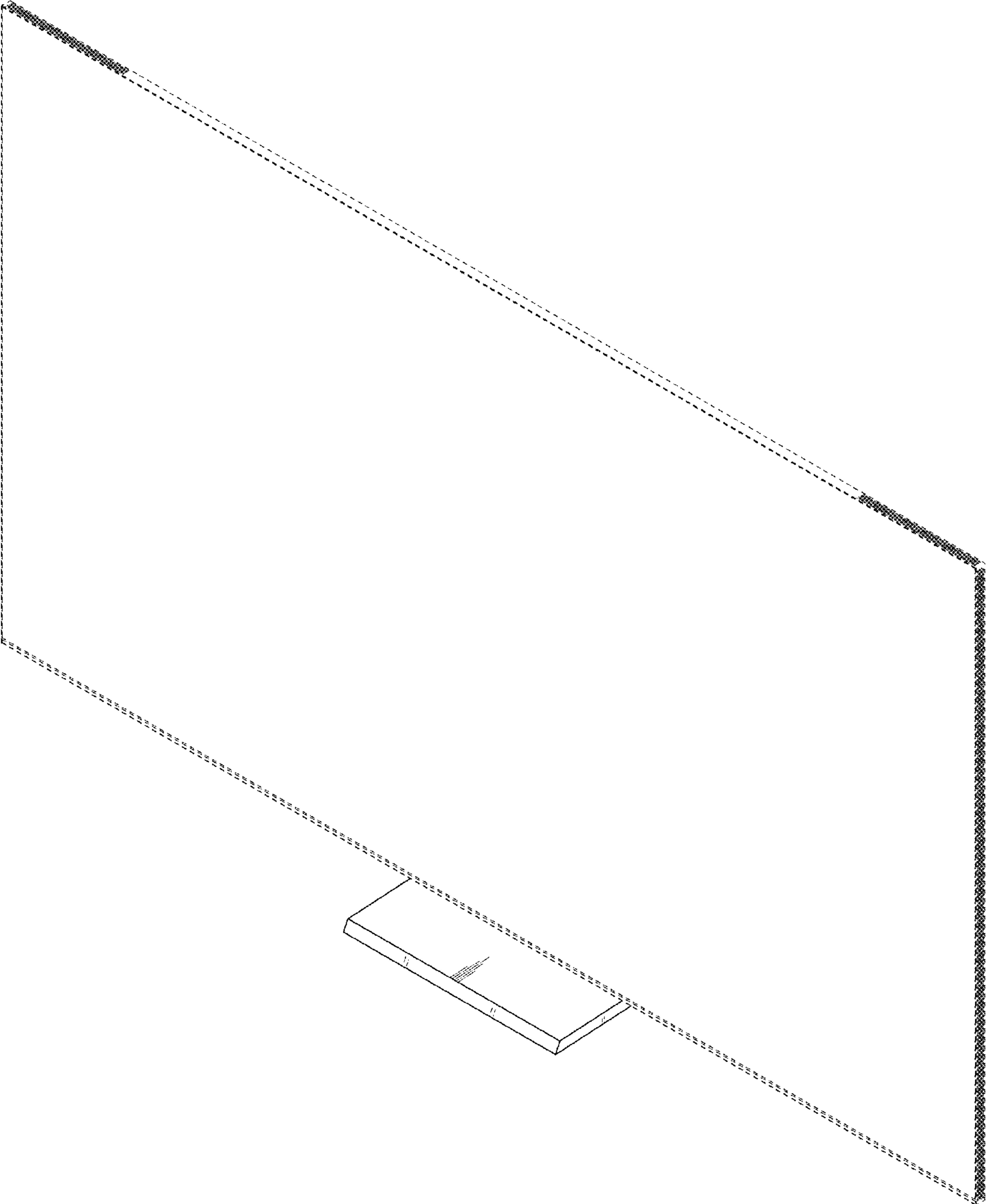


FIG. 2

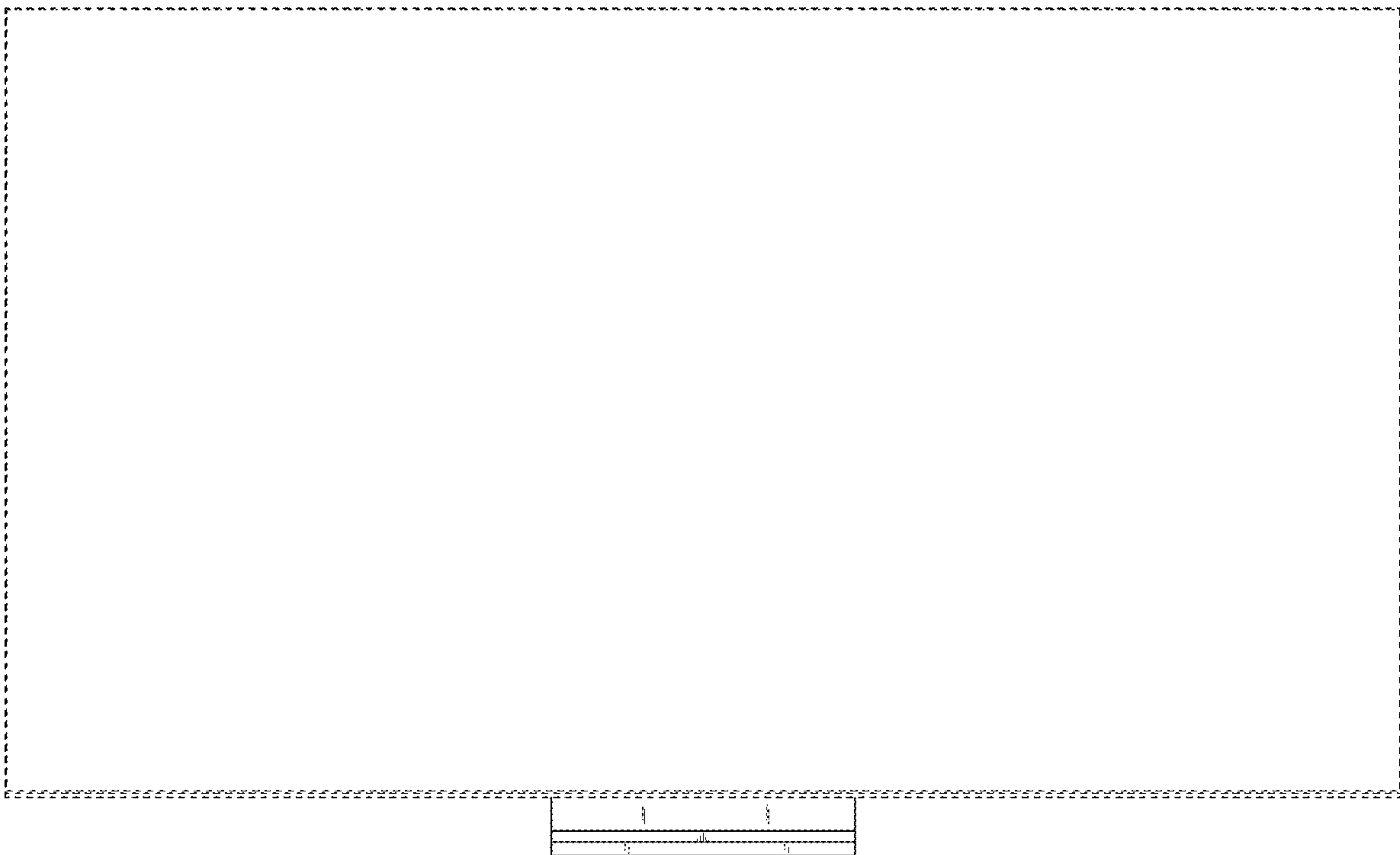


FIG. 3

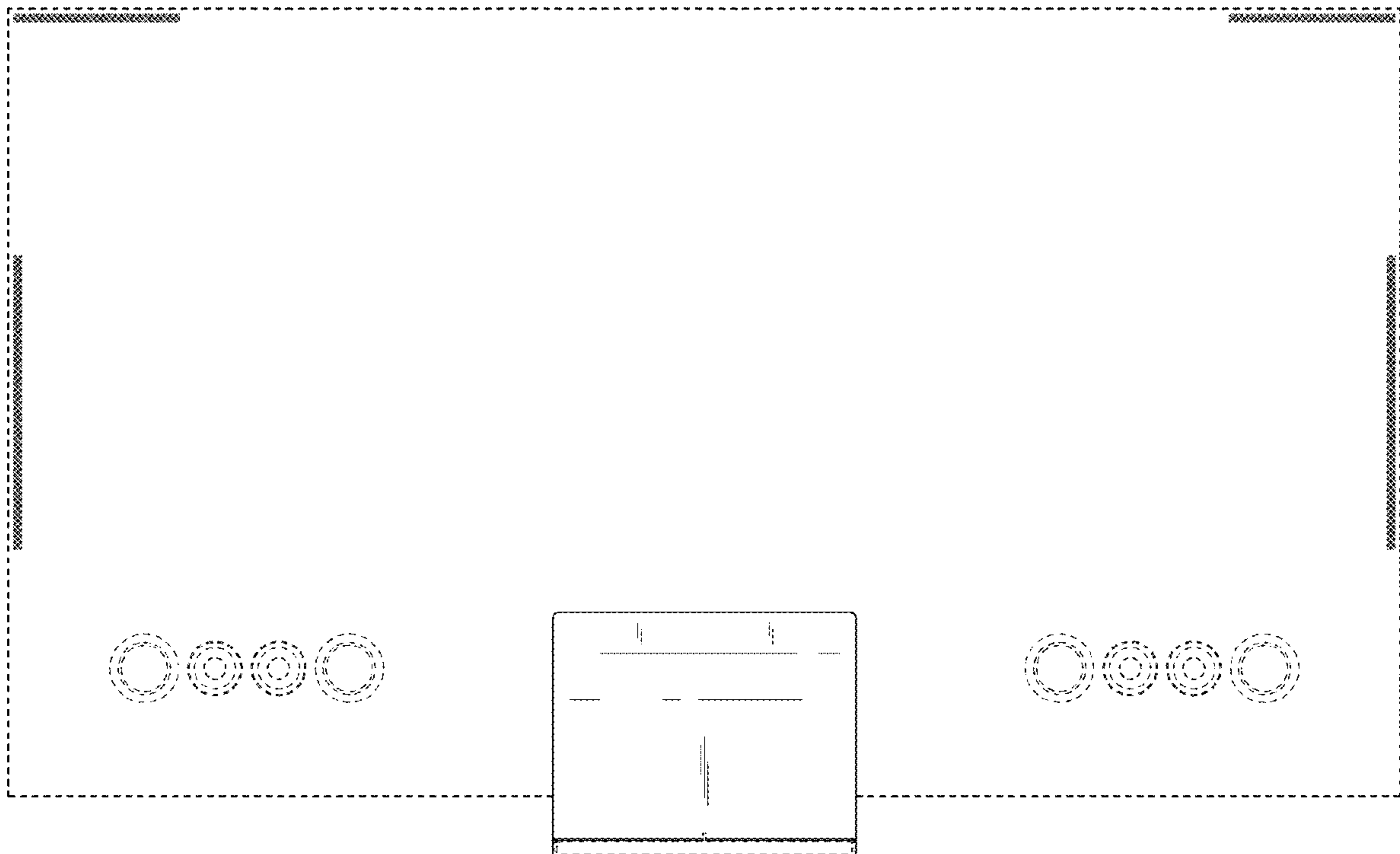


FIG. 4

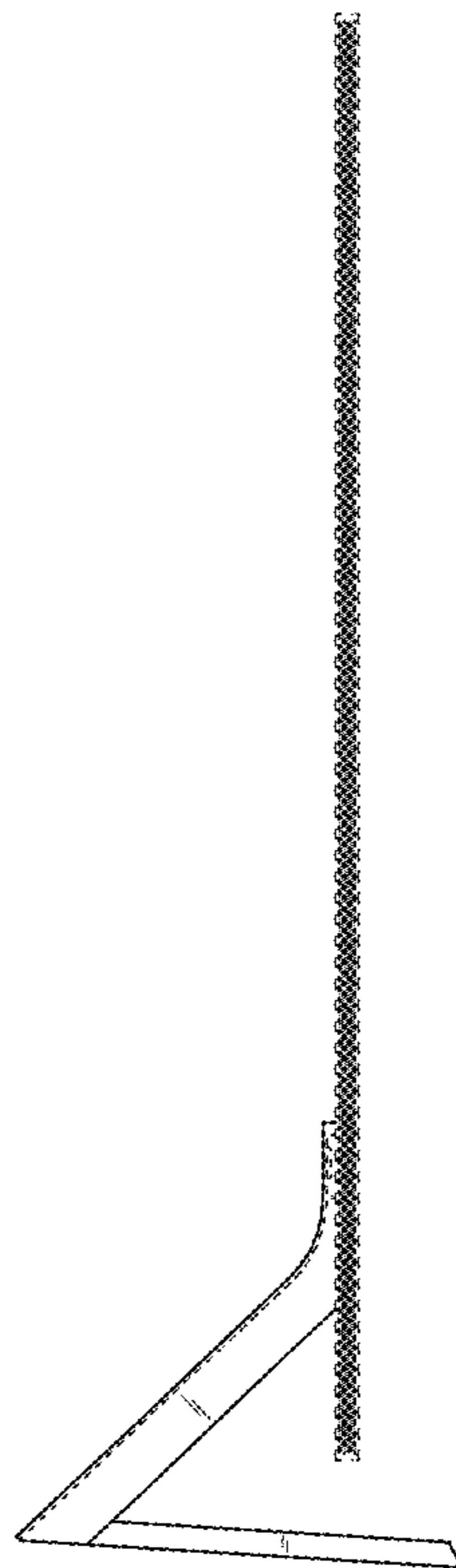


FIG. 5

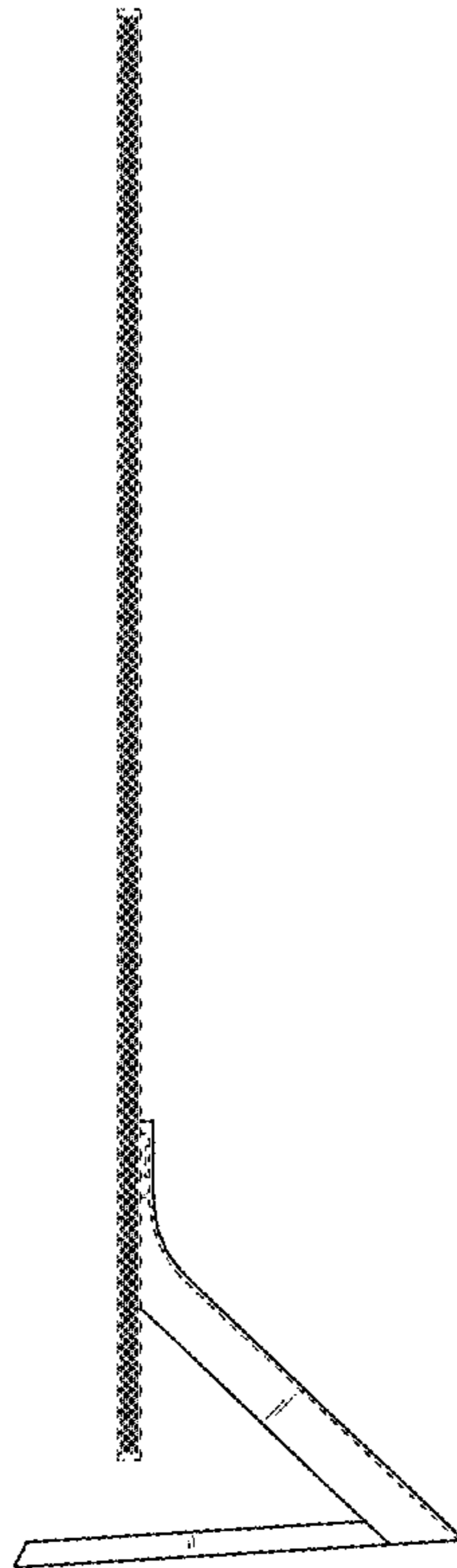


FIG. 6

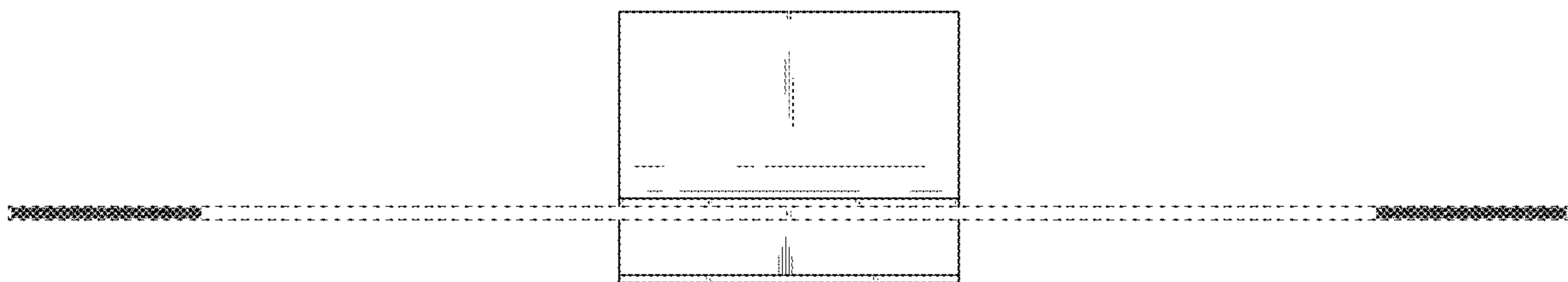


FIG. 7

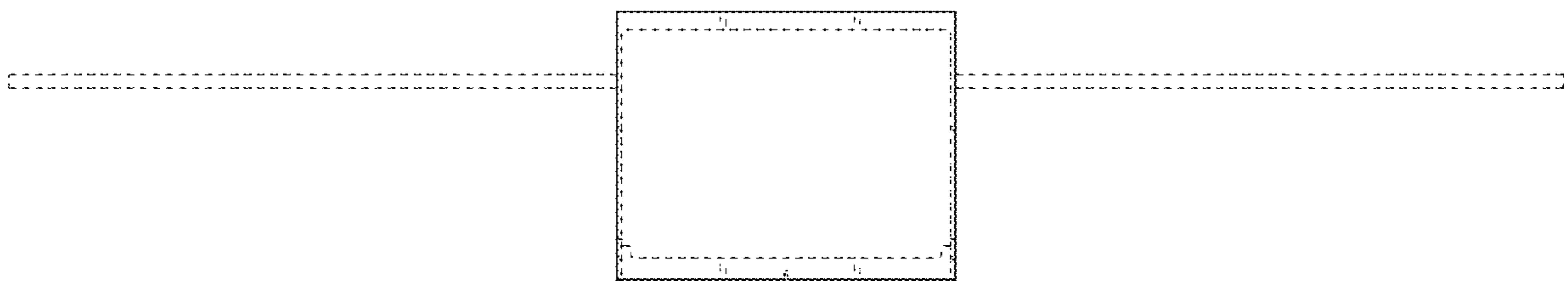


FIG. 8

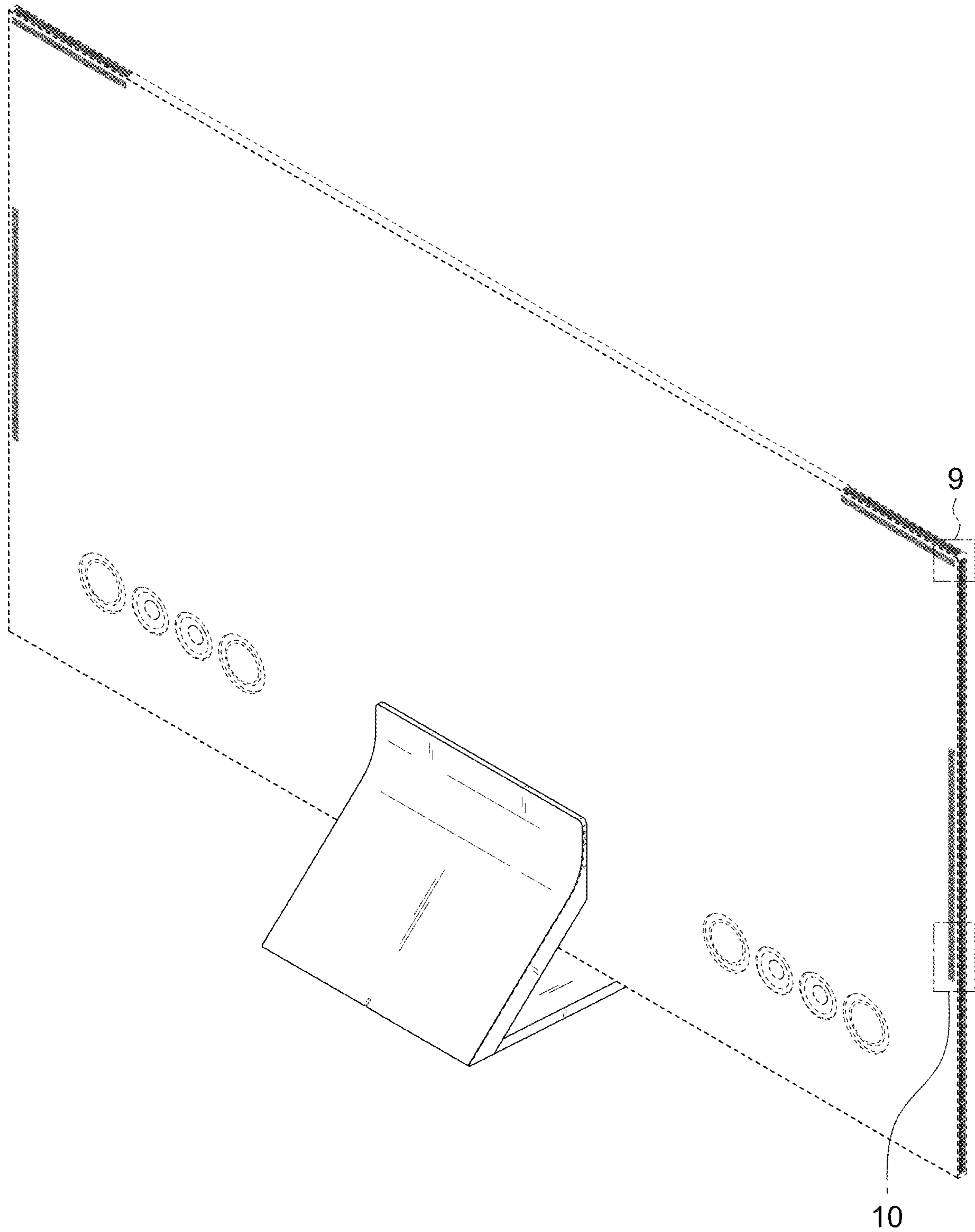


FIG. 9

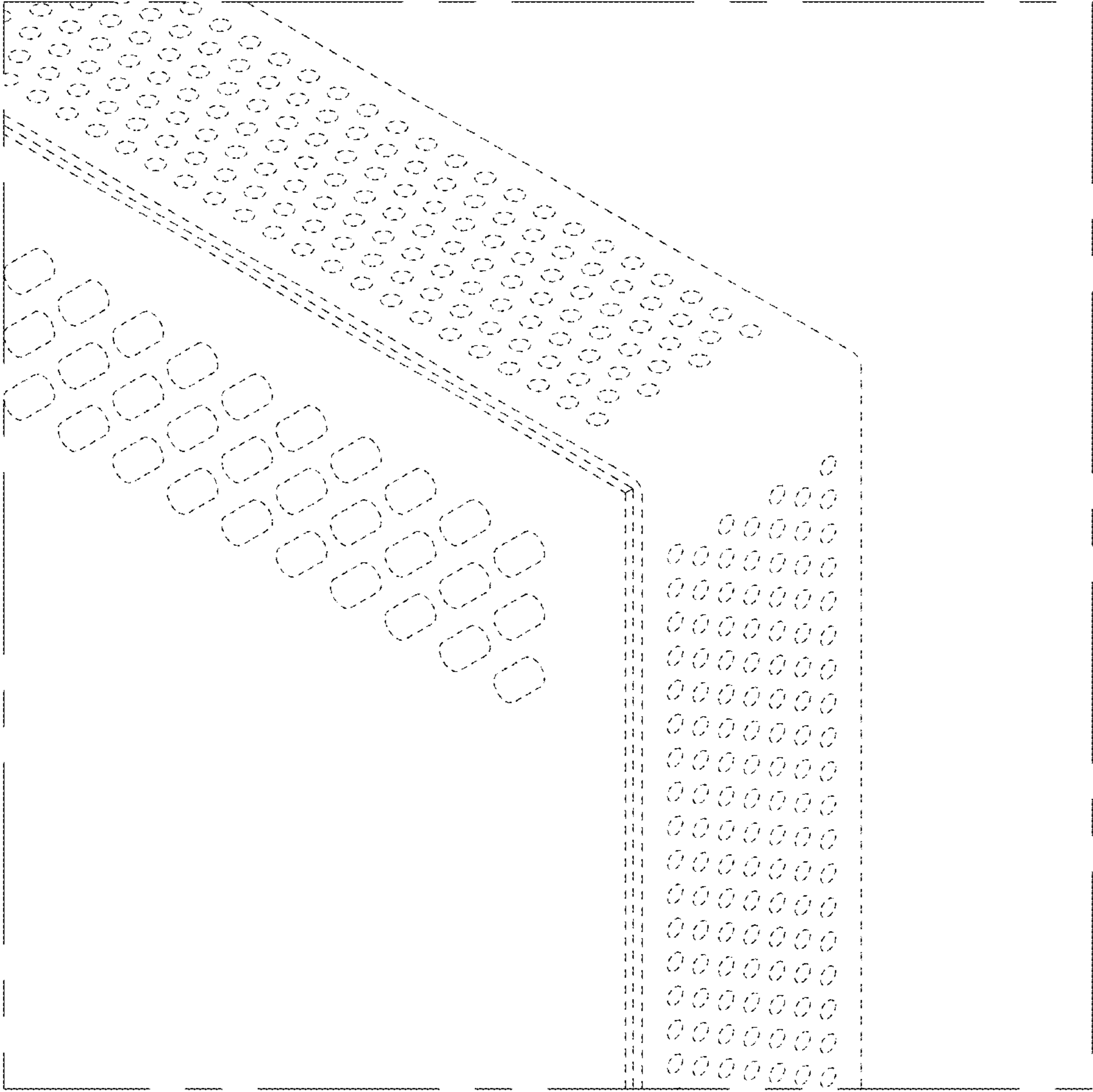


FIG. 10

