



US00D947820S

(12) **United States Design Patent** (10) **Patent No.:** **US D947,820 S**
Zhao (45) **Date of Patent:** **** Apr. 5, 2022**

(54) **DIGITAL TV ANTENNA**
(71) Applicant: **Shenzhen Tuko Technology Co., Ltd,**
Shenzhen (CN)
(72) Inventor: **Guodong Zhao,** Shenzhen (CN)
(**) Term: **15 Years**
(21) Appl. No.: **29/779,727**
(22) Filed: **Apr. 21, 2021**
(51) **LOC (13) Cl.** **14-03**
(52) **U.S. Cl.**
USPC **D14/230**
(58) **Field of Classification Search**
USPC D14/230
CPC H01Q 9/16; H01Q 9/28; H01Q 1/12
See application file for complete search history.

2018/0175674 A1* 6/2018 Manova-Elssibony
H01Q 1/22
2021/0083367 A1* 3/2021 Ouyang H01Q 1/40
2021/0135343 A1* 5/2021 Wu H01Q 21/24
2021/0257747 A1* 8/2021 Thacker H01Q 1/422
2021/0328328 A1* 10/2021 Sung H01Q 9/285

FOREIGN PATENT DOCUMENTS

CN 306647588 * 6/2021

OTHER PUBLICATIONS

Amazon HDTV antenna, website 2022, site visited Jan. 21, 2022,
https://www.amazon.com/TV-Antenna-Amplified-Reception-Amplifier/dp/B099RGNQ2R/ref=asc_df_B099RGNQ2R/?tag=.*

* cited by examiner

Primary Examiner — John R Yeh

(56) **References Cited**
U.S. PATENT DOCUMENTS

D318,673 S * 7/1991 Terk D14/230
6,452,549 B1 * 9/2002 Lo H01Q 9/28
343/700 MS
D623,175 S * 9/2010 Suleiman D14/230
D697,059 S * 1/2014 Miller D14/230
D754,641 S * 4/2016 Suleiman D14/230
D757,693 S * 5/2016 Sudo D14/230
D758,999 S * 6/2016 Matsuoka D14/230
D759,635 S * 6/2016 Forster D14/230
9,373,881 B2 * 6/2016 Thompson, Jr. H01Q 21/061
D829,695 S * 10/2018 Wu D14/230
10,158,180 B1 * 12/2018 Riley H01Q 9/28
D890,147 S * 7/2020 Zhao D14/230
D901,468 S 11/2020 Zhao
D918,878 S * 5/2021 Liu D14/230
D919,607 S * 5/2021 Chen D14/230
D927,467 S * 8/2021 Zhou D14/230
D934,843 S * 11/2021 Wu D14/230
2009/0051620 A1 * 2/2009 Ishibashi H01Q 9/30
343/897

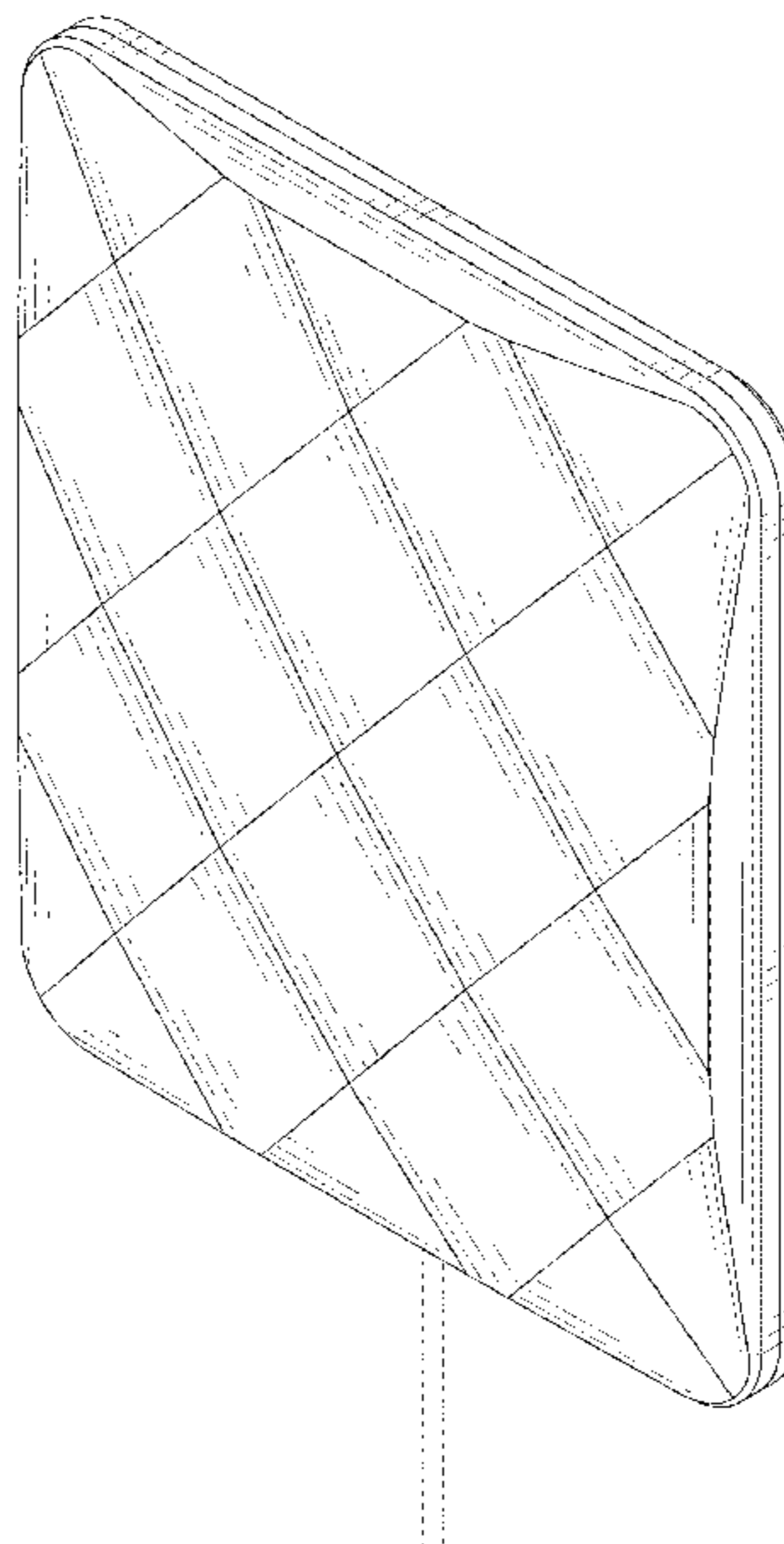
(57) **CLAIM**

The ornamental design for a digital TV antenna, as shown and described.

DESCRIPTION

FIG. 1 is a front and top perspective view of a digital TV antenna, showing my new design;
FIG. 2 is a rear and bottom perspective view thereof;
FIG. 3 is a front elevation view thereof;
FIG. 4 is a rear elevation view thereof;
FIG. 5 is a left side elevation view thereof;
FIG. 6 is a right side elevation view thereof;
FIG. 7 is a top plan view thereof; and,
FIG. 8 is a bottom plan view thereof.
The dashed broken lines in the figures illustrate portions of the digital TV antenna that form no part of the claimed design.

1 Claim, 8 Drawing Sheets



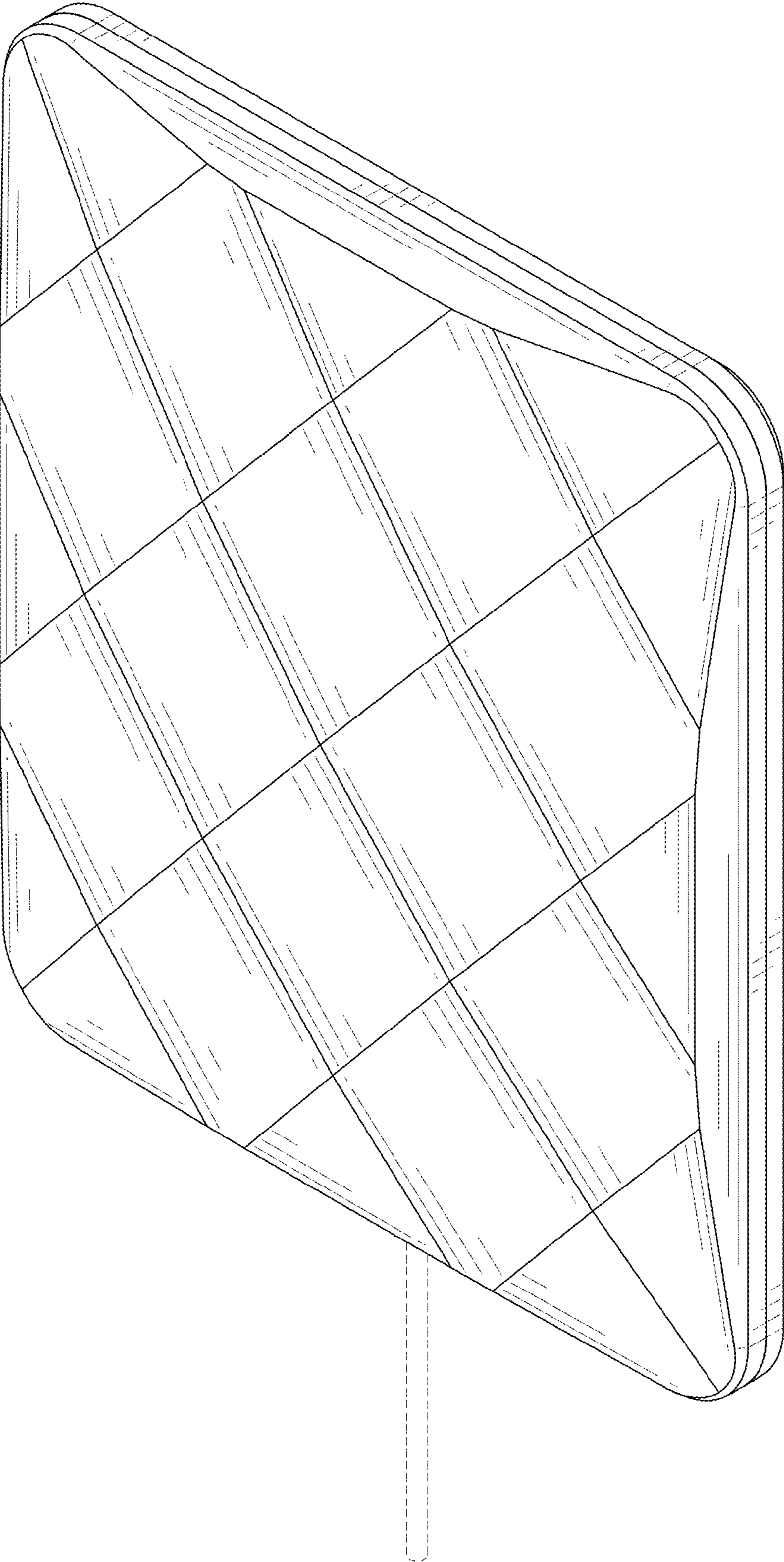


FIG. 1

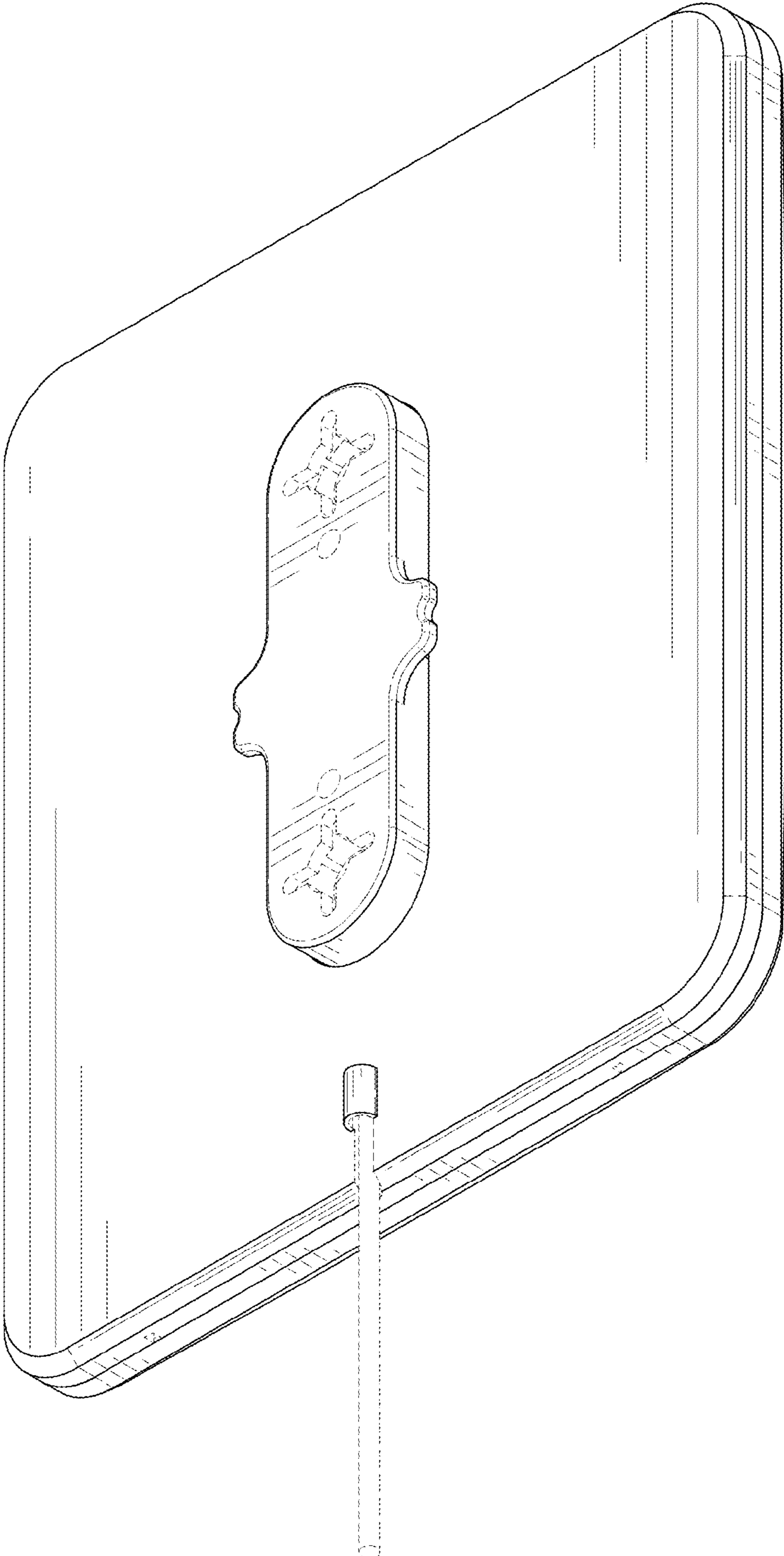


FIG. 2

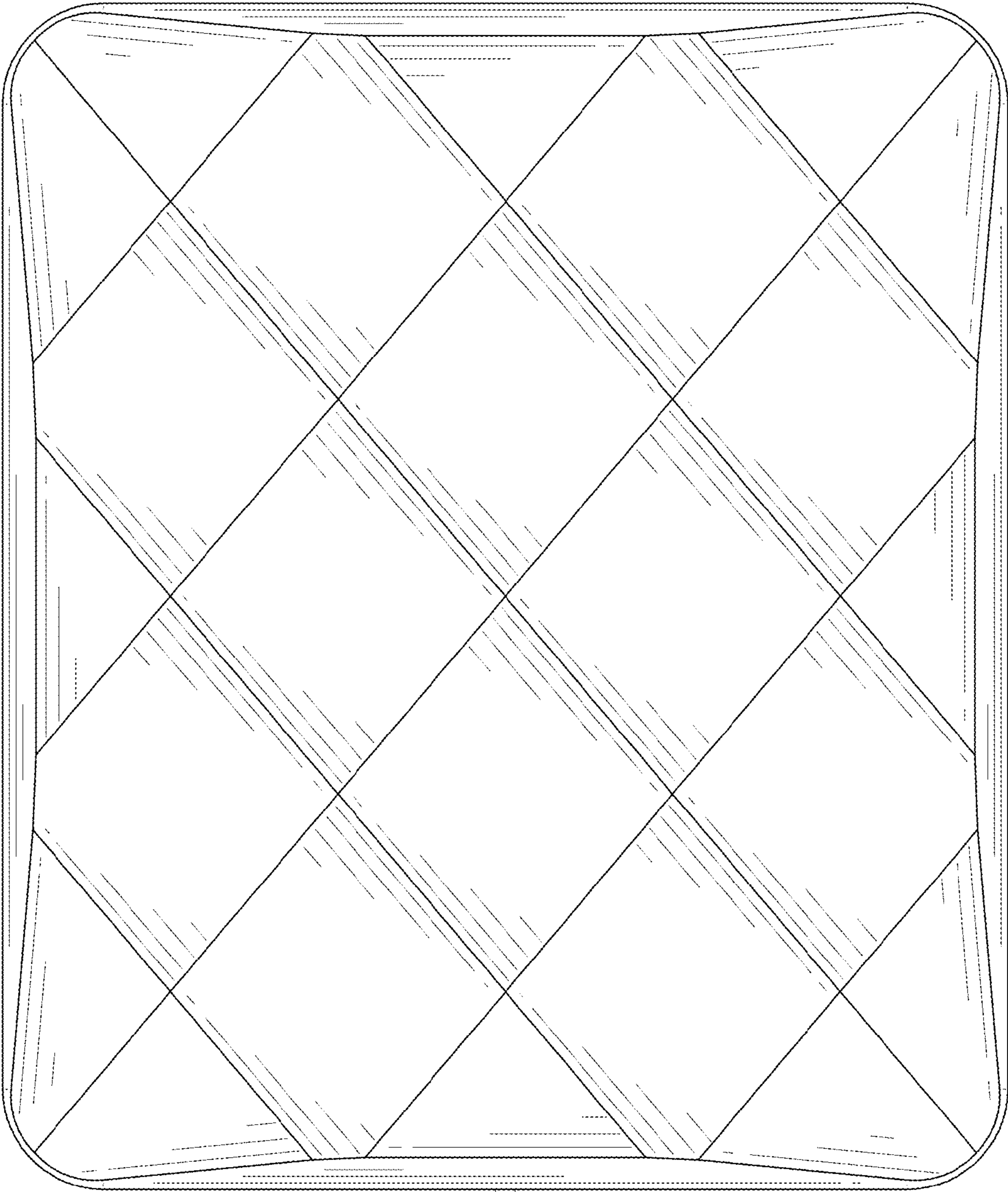


FIG. 3

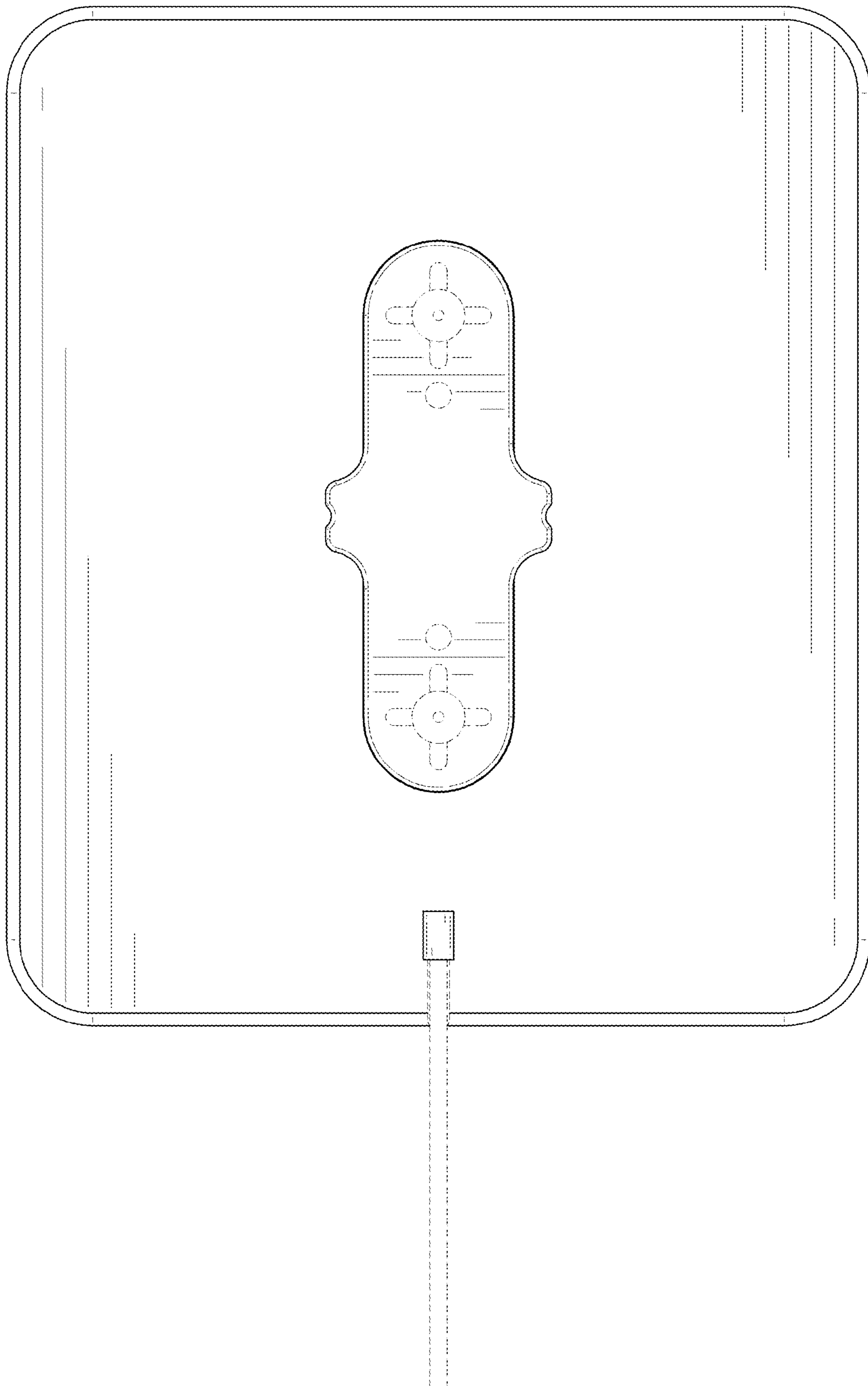


FIG. 4

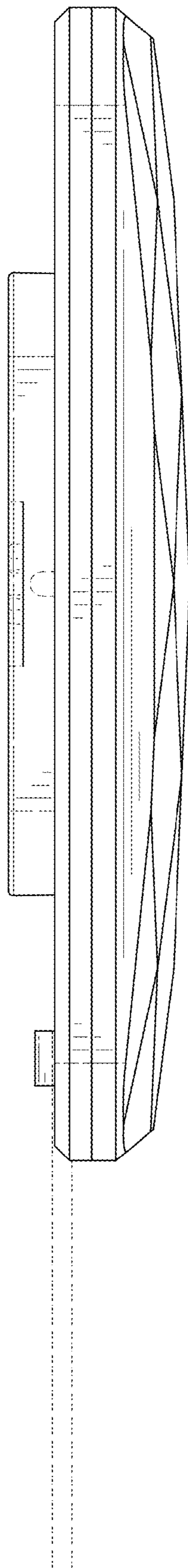


FIG. 5

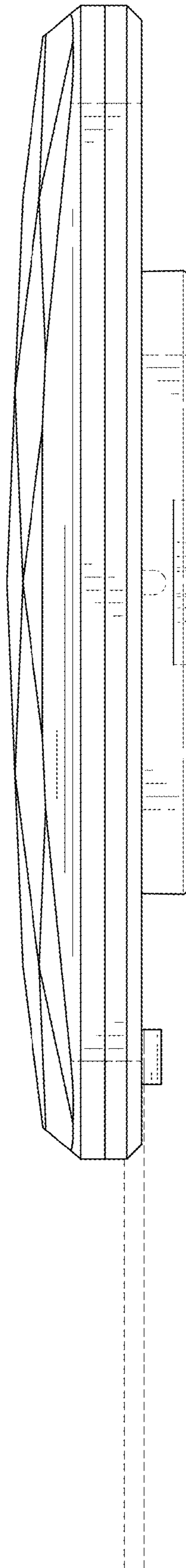


FIG. 6

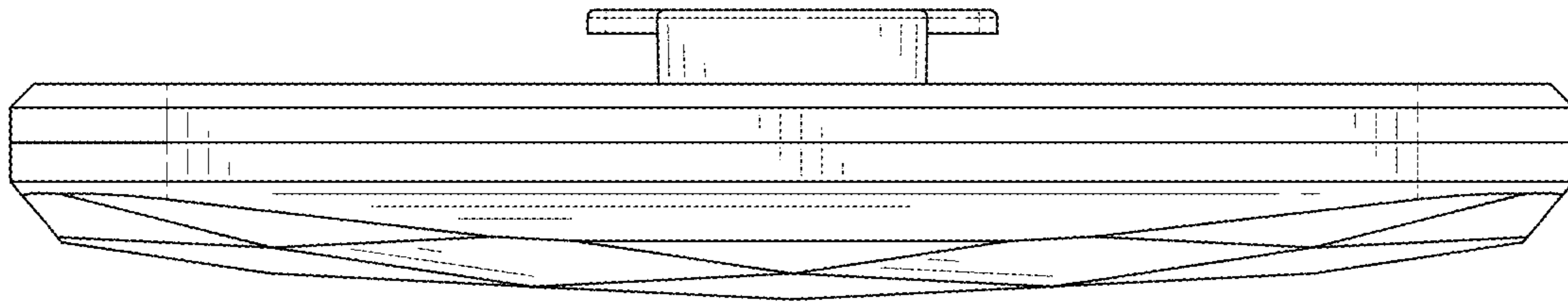


FIG. 7

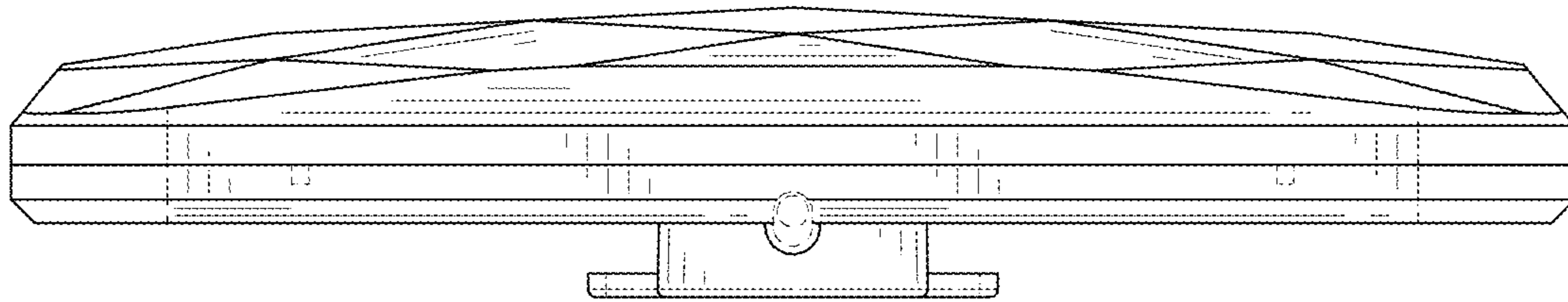


FIG. 8