



US00D947817S

(12) **United States Design Patent**
Nakamura et al.

(10) **Patent No.:** **US D947,817 S**

(45) **Date of Patent:** **** Apr. 5, 2022**

(54) **EARPHONE**

(71) Applicant: **Panasonic Intellectual Property Management Co., Ltd., Osaka (JP)**

(72) Inventors: **Yosuke Nakamura, Osaka (JP); Masayuki Nakajima, Hyogo (JP)**

(73) Assignee: **Panasonic Intellectual Property Management Co., Ltd., Osaka (JP)**

(**) Term: **15 Years**

(21) Appl. No.: **29/734,638**

(22) Filed: **May 14, 2020**

(30) **Foreign Application Priority Data**

Nov. 25, 2019 (EP) 007290614-0005
Dec. 26, 2019 (CN) 201930729045.6

(51) **LOC (13) Cl.** **14-01**

(52) **U.S. Cl.**
USPC **D14/223**

(58) **Field of Classification Search**
USPC D14/223, 205; D24/174; 128/864, 865, 128/866; 381/380, 381, 322, 325, 338; 455/90.3, 575.1, 569.1
CPC H04R 1/10; H04R 25/00; H04R 1/1016; H04R 1/1066; H04R 5/033; H04R 5/0335; H04R 1/1058; H04R 1/1091
See application file for complete search history.

(56) **References Cited**

U.S. PATENT DOCUMENTS

8,406,448 B2 * 3/2013 Lin H04R 1/1091 381/380
D711,356 S * 8/2014 Yang D14/223
D719,139 S * 12/2014 Henry D14/223
D725,082 S * 3/2015 Palmborg D14/223
8,983,108 B2 * 3/2015 Ho H04R 1/1016 381/380

D726,145 S * 4/2015 Hsieh D14/205
D727,871 S * 4/2015 Orbach D14/205
D728,107 S * 4/2015 Torres Martin D24/174
D733,102 S * 6/2015 Palmborg D14/223
D733,103 S * 6/2015 Jeong D14/224
D735,169 S * 7/2015 Shieh D14/223
D742,861 S * 11/2015 Miyake D14/223
D764,445 S * 8/2016 Czaniecki D14/223
D773,439 S * 12/2016 Walker D14/223

(Continued)

FOREIGN PATENT DOCUMENTS

EM 008750756-0001 * 11/2011
EM 008324495-0001 * 12/2020

(Continued)

Primary Examiner — Paula Allen Greene

(74) *Attorney, Agent, or Firm* — Crowell & Moring LLP

(57) **CLAIM**

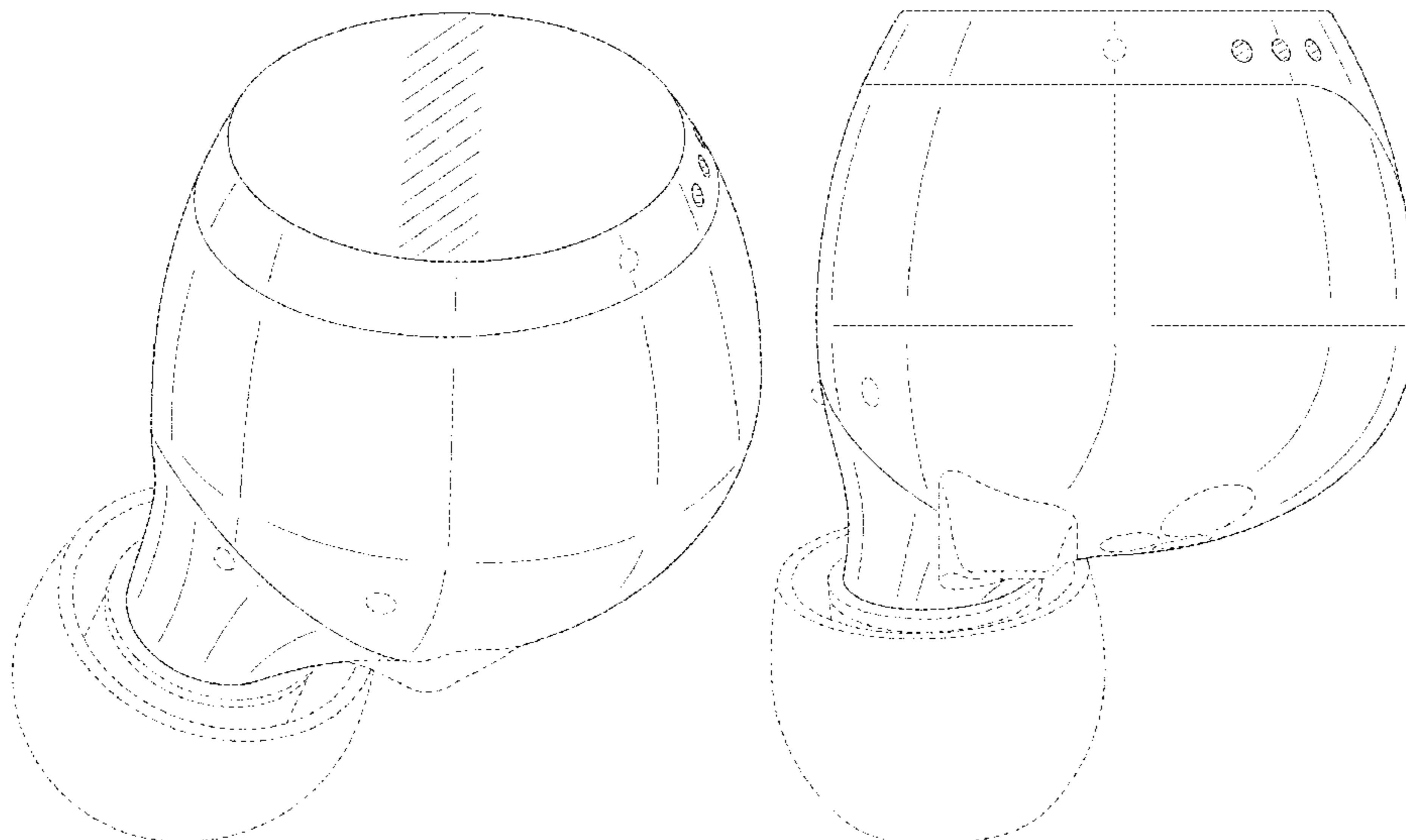
We claim the ornamental design for an earphone, as shown and described.

DESCRIPTION

FIG. 1 is a front perspective view of an earphone according to the present invention;
FIG. 2 is a rear perspective view thereof;
FIG. 3 is a front view thereof;
FIG. 4 is a rear view thereof;
FIG. 5 is a left side view thereof;
FIG. 6 is a right side view thereof;
FIG. 7 is a top view thereof; and,
FIG. 8 is a bottom view thereof.

The ornamental design which is claimed is shown in solid lines in the drawings. The broken lines in the drawings form no part of the claimed design. Broken lines formed by equal length dashes show unclaimed subject matter. Broken lines formed of unequal length dashes (i.e., dash-dot) define bounds of the claimed design.

1 Claim, 8 Drawing Sheets



(56)

References Cited

U.S. PATENT DOCUMENTS

D777,710 S * 1/2017 Palmborg D14/223
 D778,267 S * 2/2017 Hsieh D14/223
 D781,269 S * 3/2017 Choe D14/223
 D782,997 S * 4/2017 Shin D14/205
 D782,998 S * 4/2017 Shin D14/205
 D788,079 S * 5/2017 Son D14/223
 D798,843 S * 10/2017 Valenzuela D14/223
 D800,097 S * 10/2017 Chen D14/223
 D805,060 S * 12/2017 Loermann D14/223
 D806,879 S * 1/2018 Horbinski D24/174
 D810,054 S * 2/2018 Yuan D14/223
 D812,042 S * 3/2018 Xiao D14/223
 D813,206 S * 3/2018 Tang D14/223
 D817,309 S * 5/2018 Czaniecki D14/223
 10,052,065 B2 * 8/2018 Boesen A61B 5/746
 D841,627 S * 2/2019 Wen D14/223
 D843,354 S * 3/2019 Kumano D14/223
 D845,932 S * 4/2019 Lu D14/223
 D846,532 S * 4/2019 Xiao D14/223
 D847,126 S * 4/2019 Loermann D14/223
 D851,072 S * 6/2019 McNamara D14/223
 D852,782 S * 7/2019 Bergman D14/223
 D855,589 S * 8/2019 Madsen D14/223
 D858,489 S * 9/2019 Hu D14/223
 D863,263 S * 10/2019 Yu D14/223
 D864,167 S * 10/2019 Wu D14/223
 D868,752 S * 12/2019 Zhu D14/223
 D870,707 S * 12/2019 Yang D14/223
 D875,714 S * 2/2020 Kim D14/205
 D880,457 S * 4/2020 Zhu D14/223
 D885,372 S * 5/2020 Wang D14/223
 D887,395 S * 6/2020 Wang D14/223
 D889,441 S * 7/2020 Lin D14/223
 D890,138 S * 7/2020 Peng D14/223
 D892,085 S * 8/2020 Kim D14/223
 D892,769 S * 8/2020 Cai D14/223
 D894,123 S * 8/2020 Xiong D13/108
 D895,580 S * 9/2020 Yu D14/223
 D897,319 S * 9/2020 Wang D14/223
 D897,322 S * 9/2020 Wei D14/223
 D897,996 S * 10/2020 Mei D14/223

D899,405 S * 10/2020 Vaclavik D14/223
 D900,064 S * 10/2020 Laffon de Mazieres D14/223
 D902,182 S * 11/2020 Wang D14/223
 D902,184 S * 11/2020 Yang D14/223
 10,827,249 B1 * 11/2020 Pine H04R 1/1025
 D903,638 S * 12/2020 Li D14/223
 D908,667 S * 1/2021 He D14/223
 D909,995 S * 2/2021 Cai D14/223
 D914,650 S * 3/2021 Hu D14/223
 D917,425 S * 4/2021 Wang D14/223
 D918,181 S * 5/2021 Bailey D14/223
 D918,873 S * 5/2021 Deng D14/223
 D920,288 S * 5/2021 Vautour D14/223
 D920,958 S * 6/2021 Ye D14/223
 D922,985 S * 6/2021 Kataoka D14/223
 D926,159 S * 7/2021 Miyata D14/223
 D927,466 S * 8/2021 Zhang D14/223
 D928,742 S * 8/2021 Liu D14/223
 D929,970 S * 9/2021 Lin D14/223
 D930,620 S * 9/2021 Lindenberger D14/223
 D930,622 S * 9/2021 Lin D14/223
 D939,479 S * 12/2021 Wang D14/223
 D940,107 S * 1/2022 He D14/223
 D940,109 S * 1/2022 Birger D14/223
 2012/0114160 A1 * 5/2012 Lin H04R 1/1091
 381/380
 2017/0264990 A1 * 9/2017 Dragicevic H04R 1/1041
 2017/0366233 A1 * 12/2017 Hviid H04B 5/02
 2018/0060031 A1 * 3/2018 Boesen G10L 15/22
 2019/0069066 A1 * 2/2019 Song H01F 7/02
 2020/0186906 A1 * 6/2020 Birch H04R 1/1041
 2021/0014598 A1 * 1/2021 Pine H04R 1/1025
 2021/0352395 A1 * 11/2021 Wang H04R 1/1016
 2021/0400370 A1 * 12/2021 Pine H04R 1/1025

FOREIGN PATENT DOCUMENTS

EM 008534457-0001 * 5/2021
 EM 008630784-0001 * 7/2021
 EM 008631436-0003 * 7/2021
 EM 008737605-0001 * 10/2021
 JP D1502508 S 7/2014
 JP D1649999 S 1/2020

* cited by examiner

FIG. 1

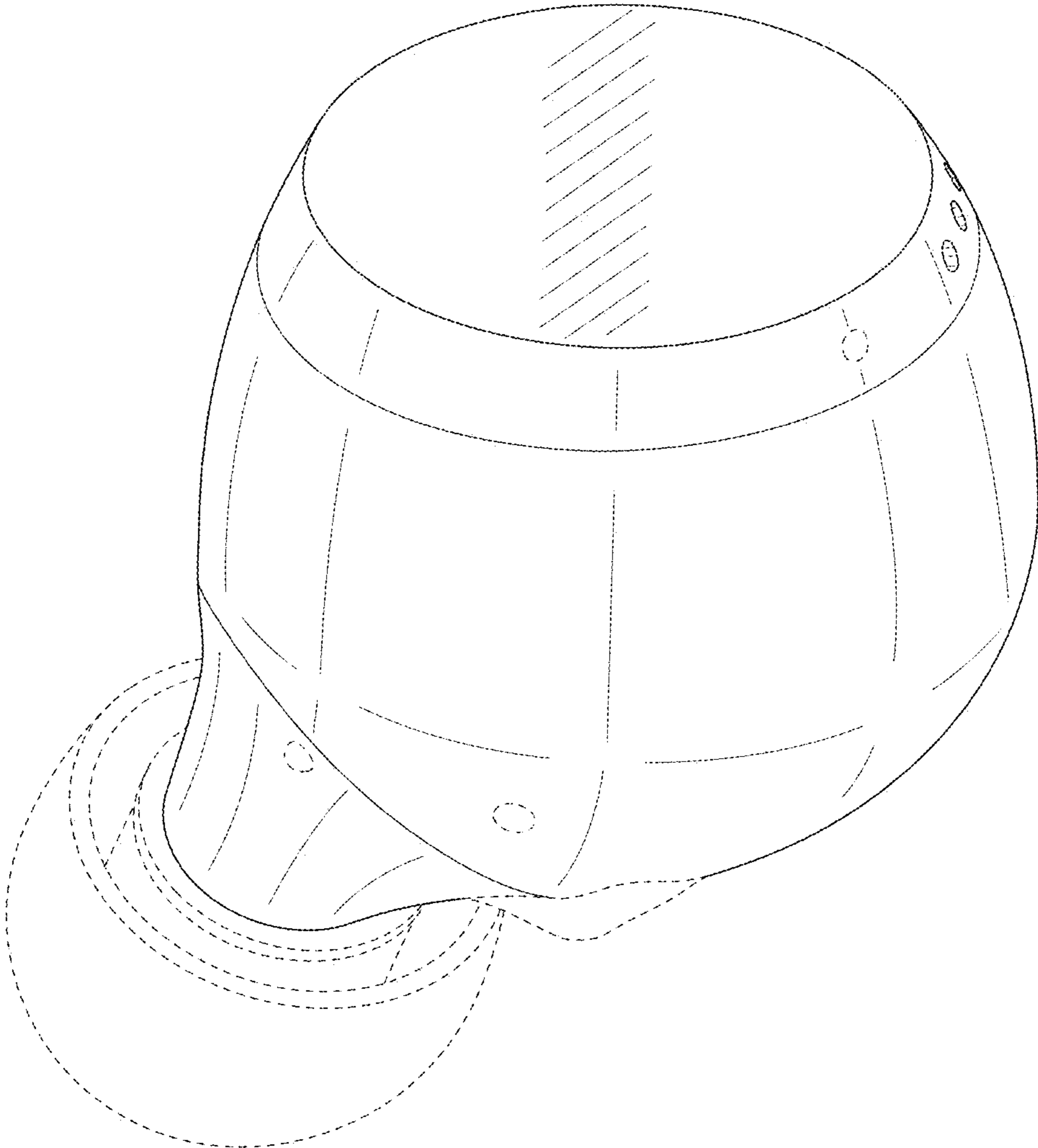


FIG. 2

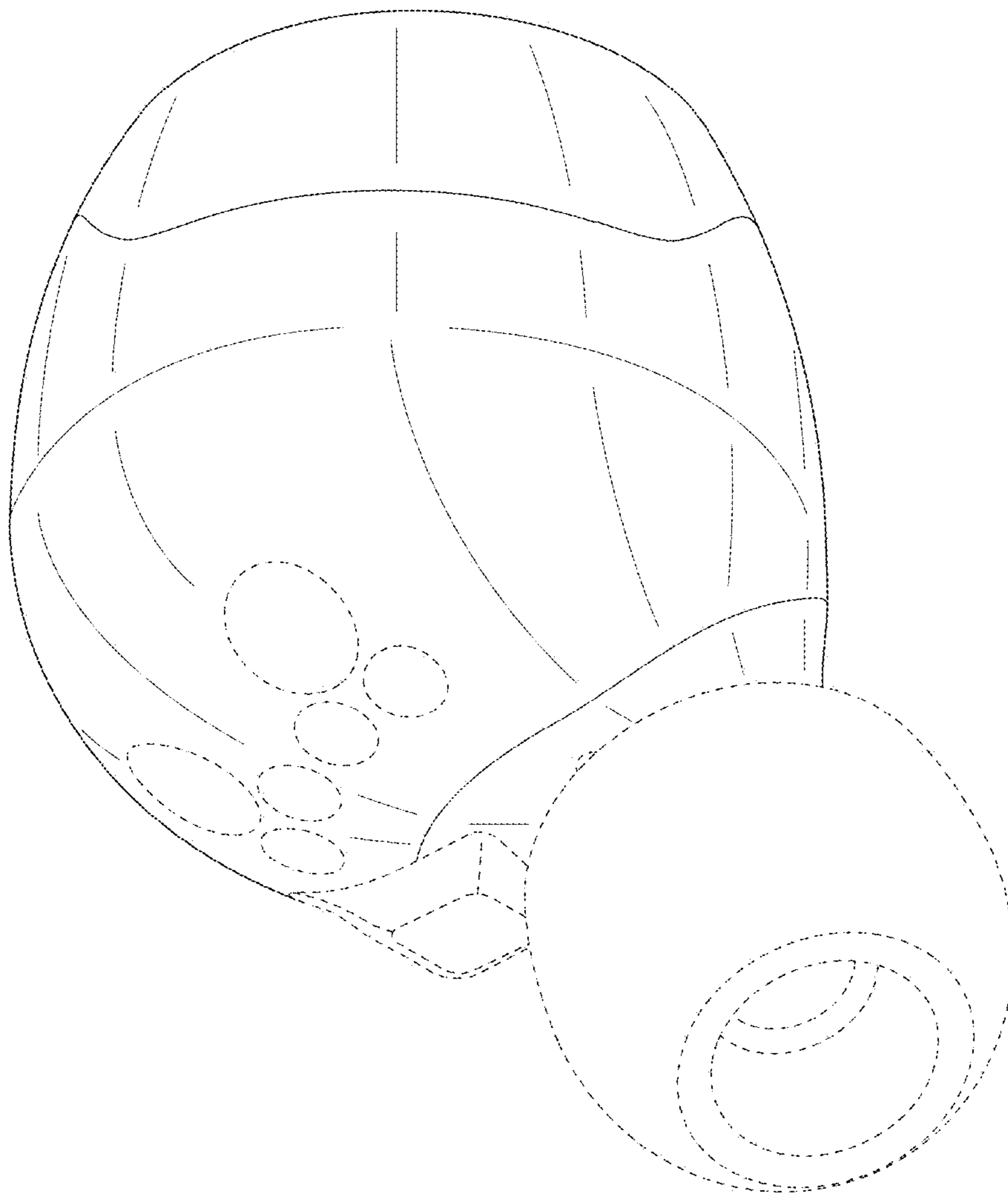


FIG. 3

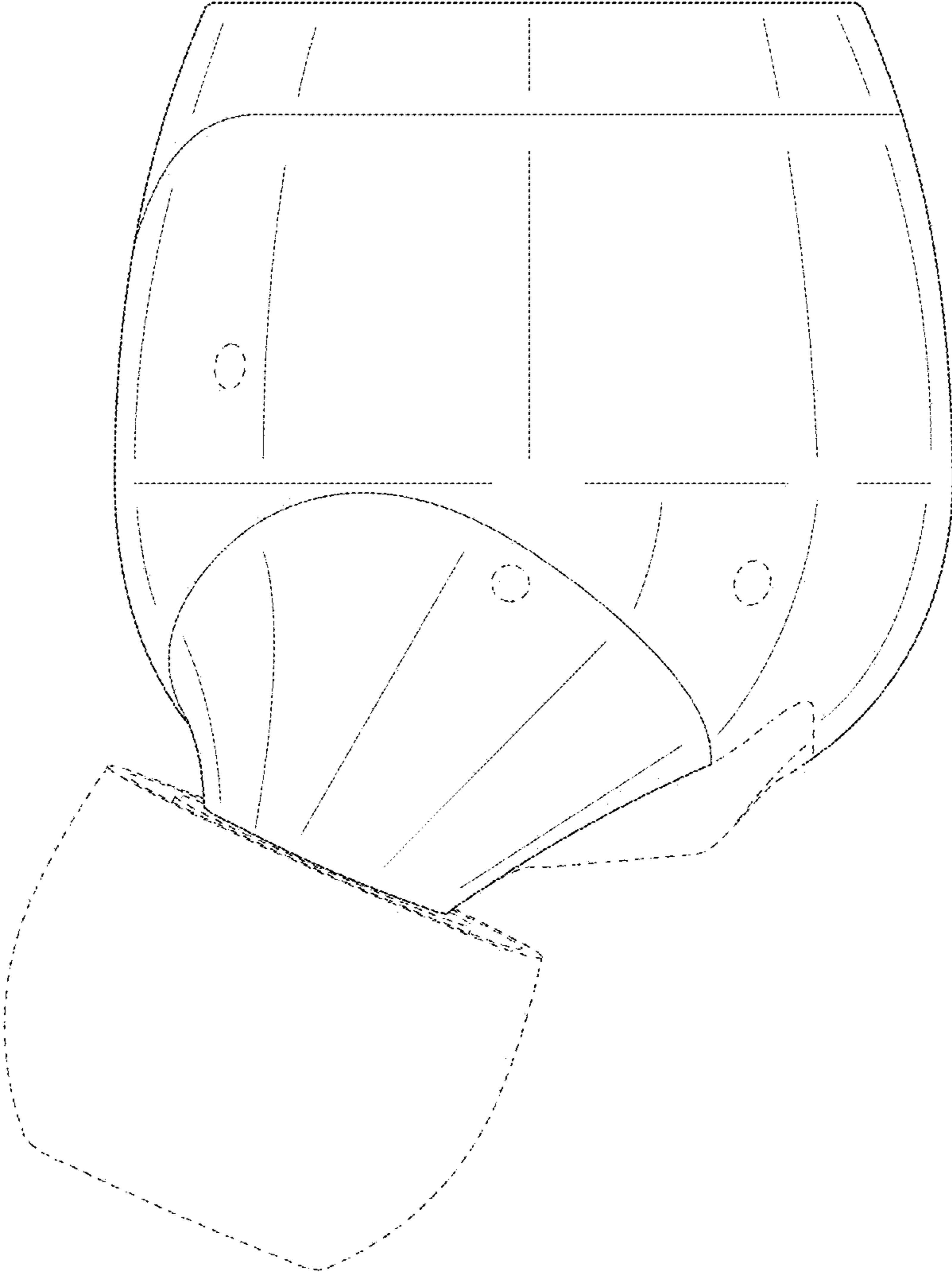


FIG. 4

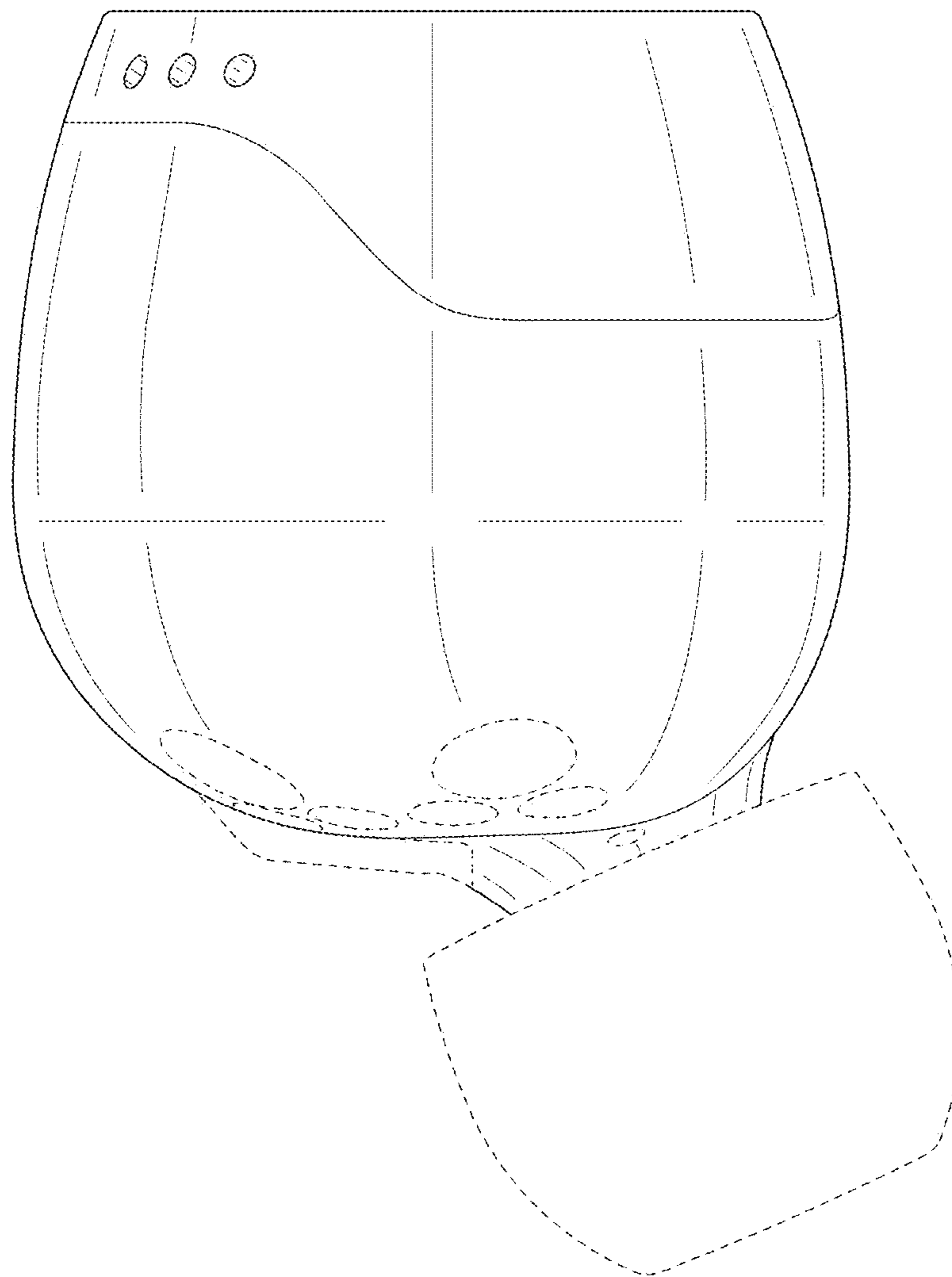


FIG. 5

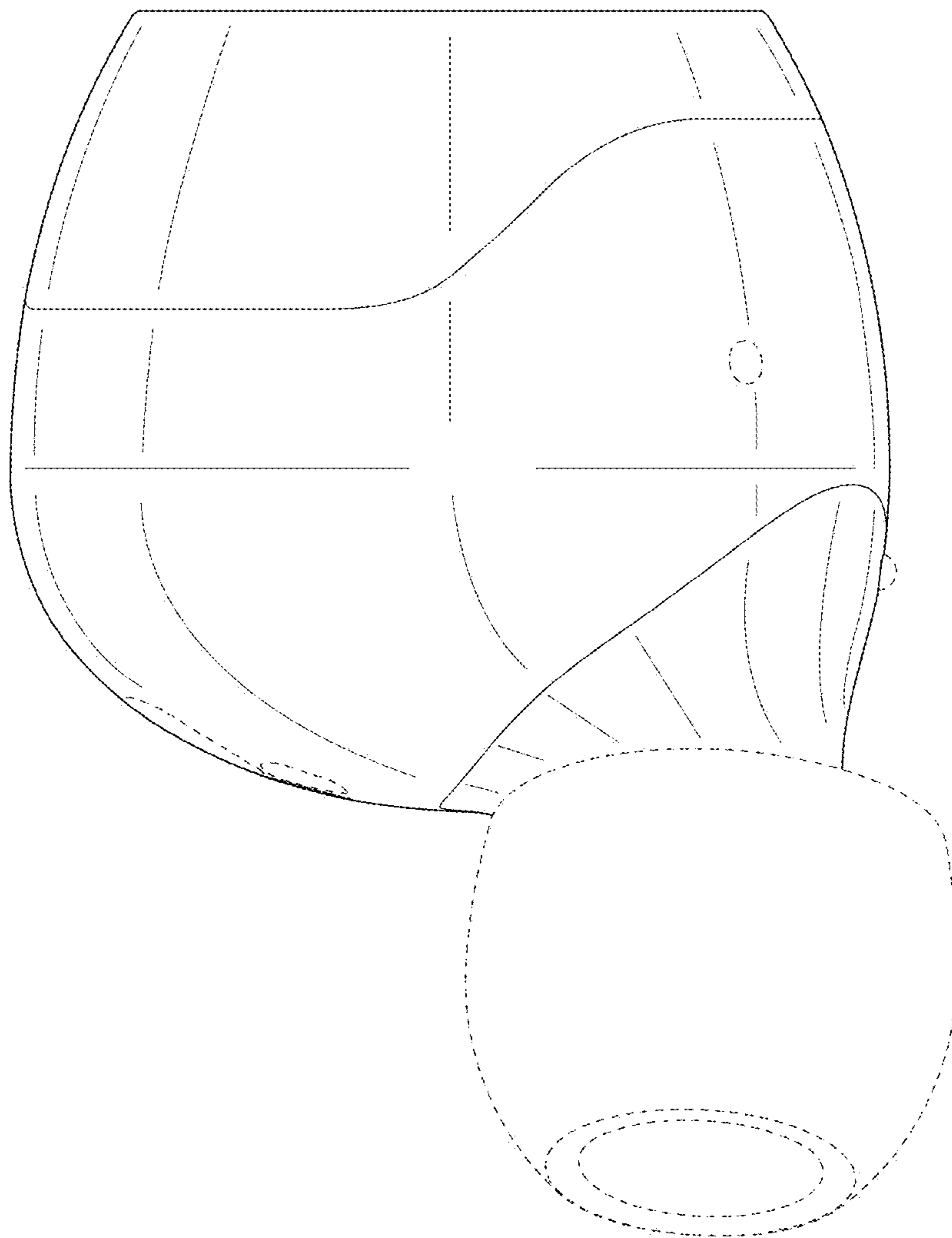


FIG. 6

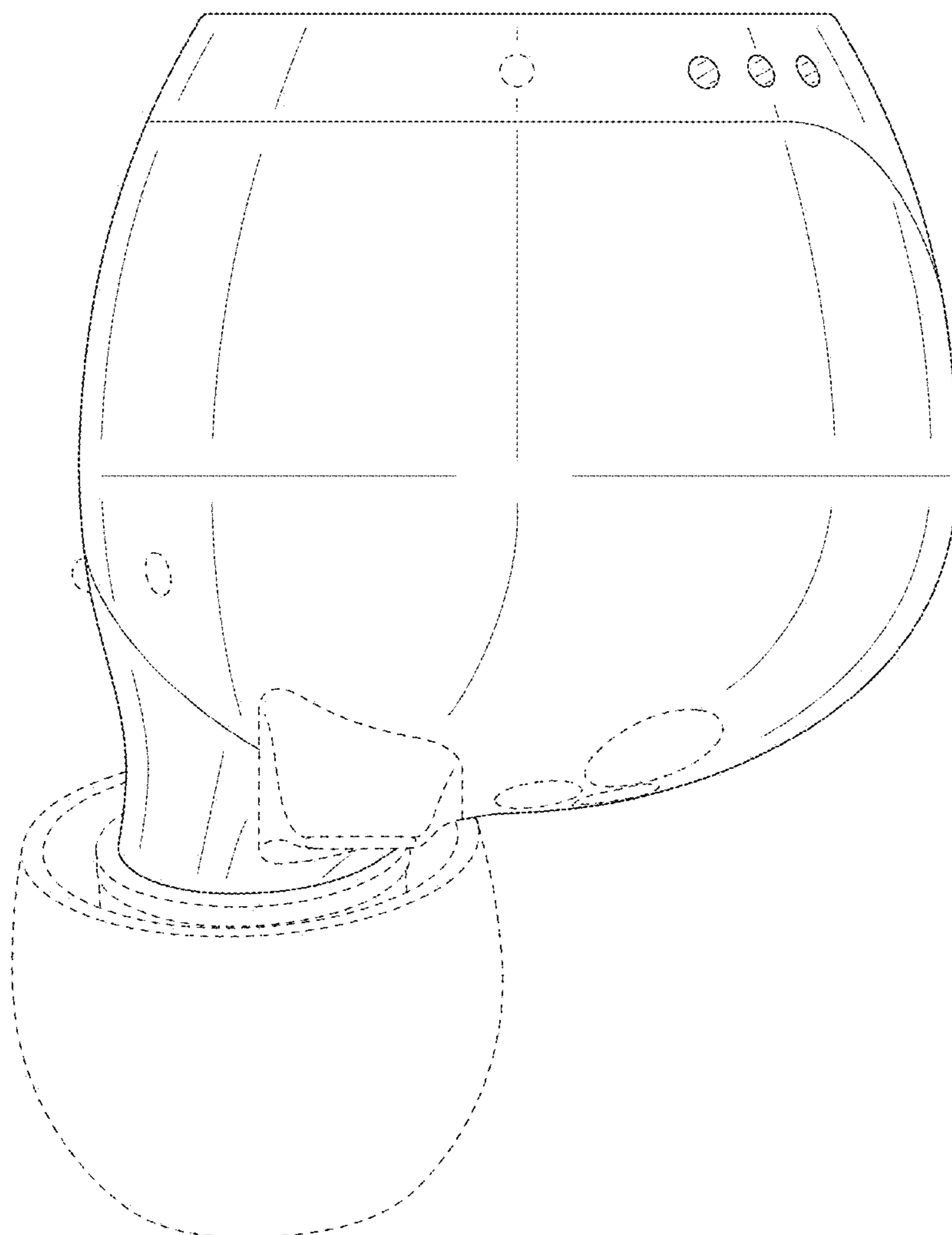


FIG. 7

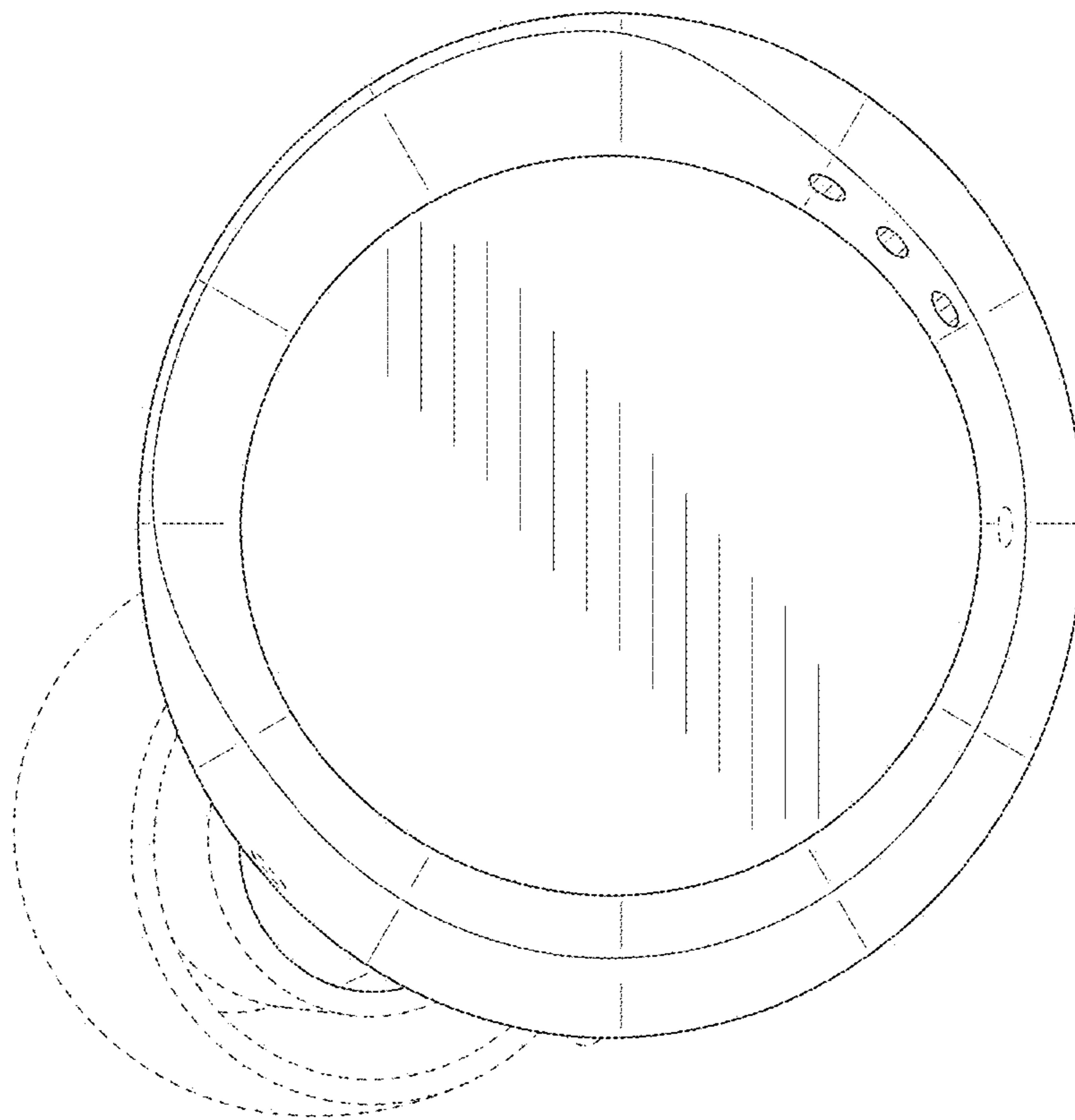


FIG. 8

