



US00D947816S

(12) **United States Design Patent** (10) **Patent No.:** **US D947,816 S**  
**Kitamura et al.** (45) **Date of Patent:** **\*\* \*Apr. 5, 2022**

(54) **SPEAKER**

(71) Applicant: **PIONEER CORPORATION**, Tokyo (JP)

(72) Inventors: **Meiji Kitamura**, Tokyo (JP); **Maho Miyamoto**, Tokyo (JP)

(73) Assignee: **PIONEER CORPORATION**, Tokyo (JP)

(\*) Notice: This patent is subject to a terminal disclaimer.

(\*\*) Term: **15 Years**

(21) Appl. No.: **29/696,369**

(22) Filed: **Jun. 27, 2019**

(30) **Foreign Application Priority Data**

Dec. 27, 2018 (JP) ..... 2018-028586

(51) **LOC (13) Cl.** ..... **14-01**

(52) **U.S. Cl.**  
USPC ..... **D14/219**; D14/216

(58) **Field of Classification Search**  
USPC ..... D14/167, 168, 170-172, 188, 194-196, D14/204, 209.1, 210-216, 219, 221, 222, D14/224, 239, 496

CPC ..... B60R 11/0217; G06F 1/1688; G10K 9/22; G10K 11/004; H03F 1/327; H04M 1/03; H04M 1/035; H04N 5/642; H04N 21/4852; H04R 1/02; H04R 1/06; H04R 1/021; H04R 1/025; H04R 1/026; H04R 1/028; H04R 1/105; H04R 1/323; H04R 1/403; H04R 1/2803; H04R 1/2834; H04R 5/02; H04R 7/20; H04R 9/06; H04R 9/025; H04R 2201/021; H04R 2400/00; H04R 2400/07; H04R 2499/11; H04R 2499/13; H04R 2499/15; H04S 3/00; H04S 7/30

See application file for complete search history.

(56) **References Cited**

U.S. PATENT DOCUMENTS

D488,801 S *	4/2004	Shindo .....	D14/216
D858,487 S *	9/2019	Proni .....	D14/219
D876,397 S *	2/2020	Susterman .....	D14/219
D893,459 S *	8/2020	Lum .....	D14/219
D897,317 S *	9/2020	Telle .....	H04R 1/023 D14/219

(Continued)

FOREIGN PATENT DOCUMENTS

JP	1201053	4/2004
JP	1201608	4/2004

OTHER PUBLICATIONS

Sonic Electronix, JL Audio M770-CCS-SG-WH—White with Sport Grilles, 2011, [online] 1 pg., URL: [https://www.sonicelectronix.com/pictures\\_new.php?id=17425&picture\\_id=2451359](https://www.sonicelectronix.com/pictures_new.php?id=17425&picture_id=2451359).

(Continued)

*Primary Examiner* — Keli L Hill

(74) *Attorney, Agent, or Firm* — Procopio, Cory, Hargreaves & Savitch LLP

(57) **CLAIM**

The ornamental design for the speaker, as shown and described.

**DESCRIPTION**

FIG. 1 is a perspective view of a speaker showing our new design;

FIG. 2 is a front view thereof;

FIG. 3 is a rear view thereof;

FIG. 4 is a top view thereof;

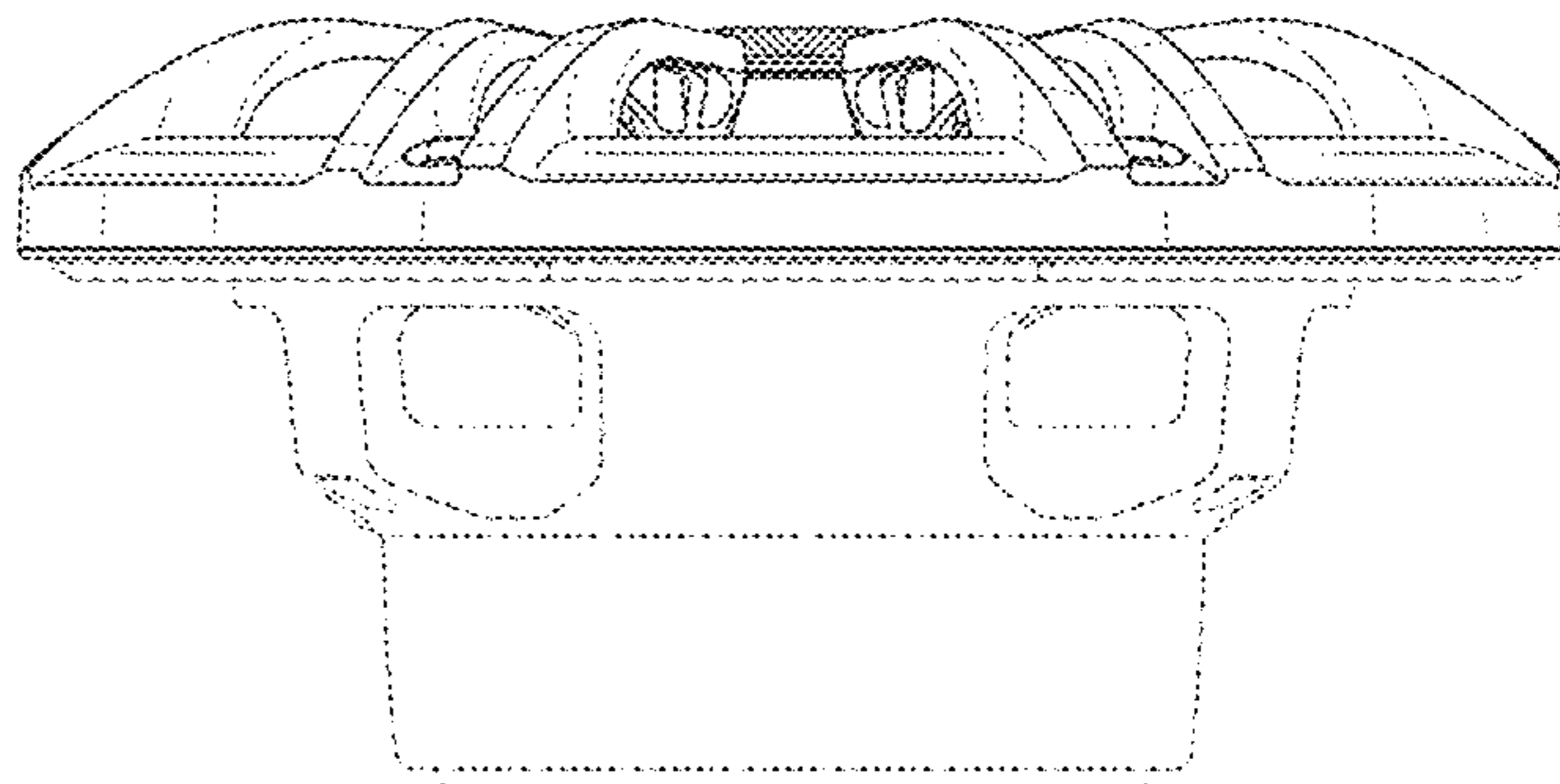
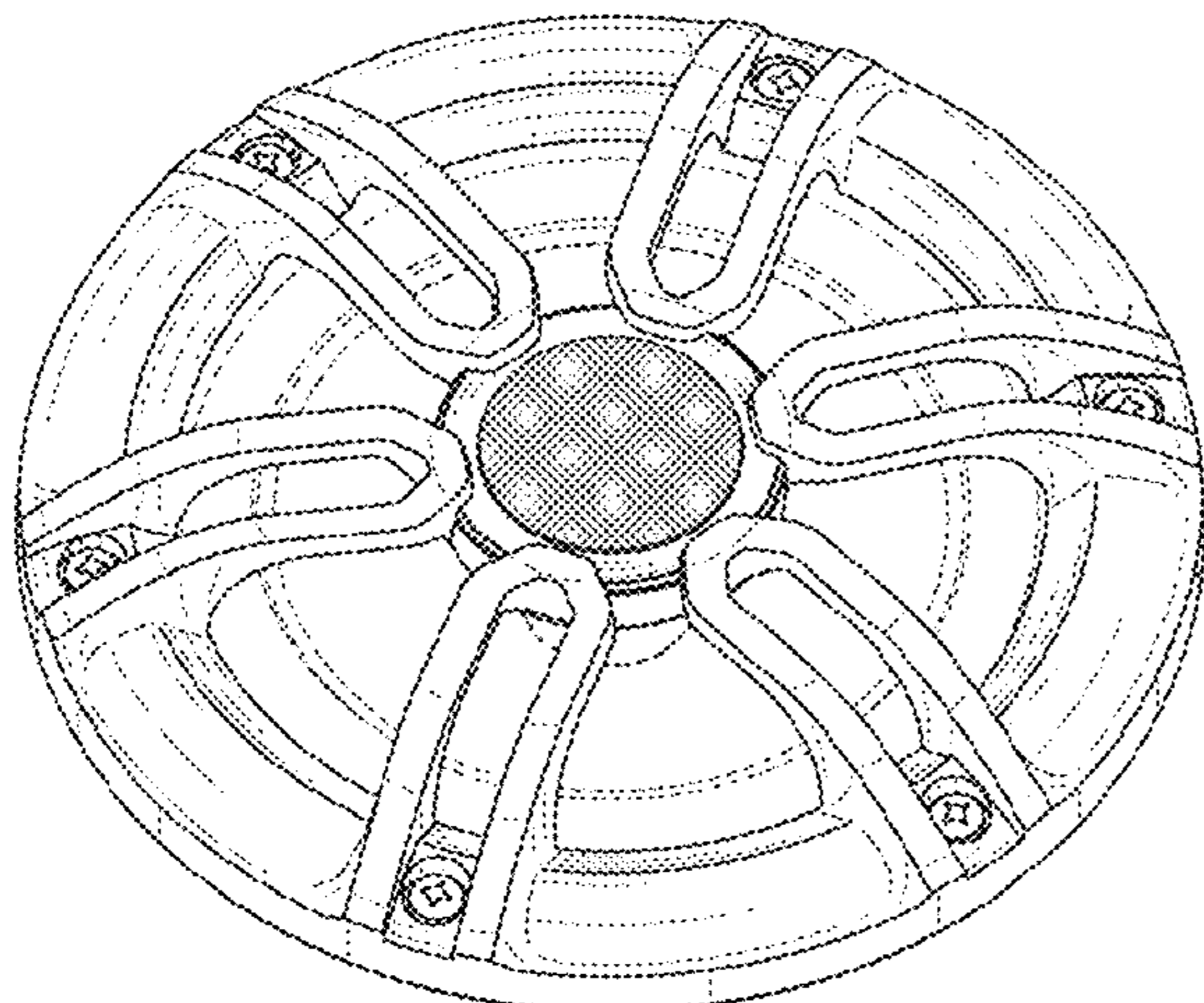
FIG. 5 is a bottom view thereof;

FIG. 6 is a right side view thereof; and,

FIG. 7 is a left side view thereof.

The broken lines illustrating portions of the speaker form no part of the claimed design.

**1 Claim, 7 Drawing Sheets**



(56)

**References Cited**

U.S. PATENT DOCUMENTS

D911,314 S \* 2/2021 Telle ..... D14/219  
D931,837 S \* 9/2021 Lum ..... D14/219  
2018/0184183 A1\* 6/2018 Kaplan ..... H04R 1/023

OTHER PUBLICATIONS

Fusion Company, Marine Entertainment Catalogue, 2019, 18 pgs.  
Pioneer Corporation, Audio & AV 2017: Car Entertainment, Dealer  
Reference Guide, vol. 1, 3 pgs.

\* cited by examiner

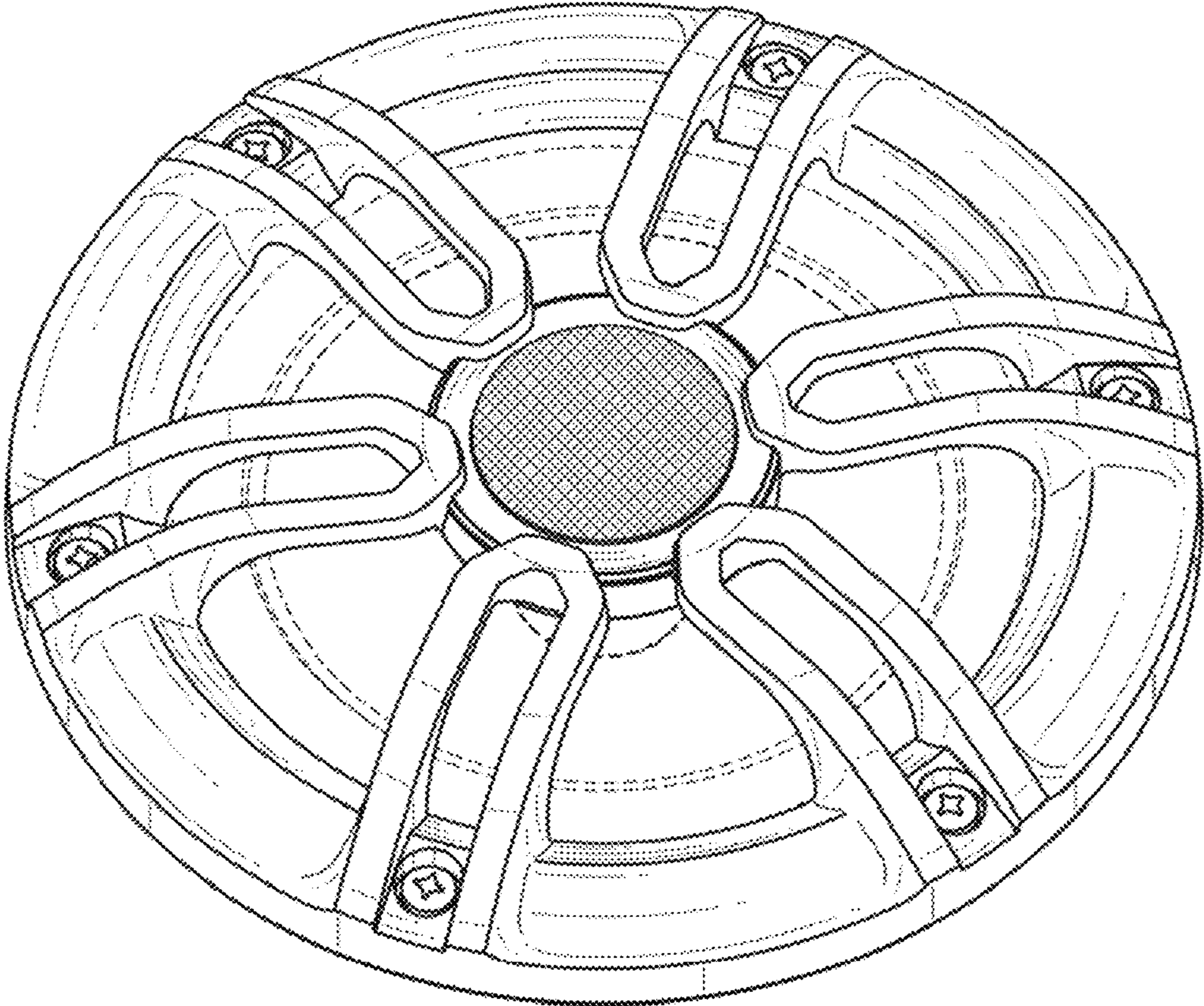


FIG. 1



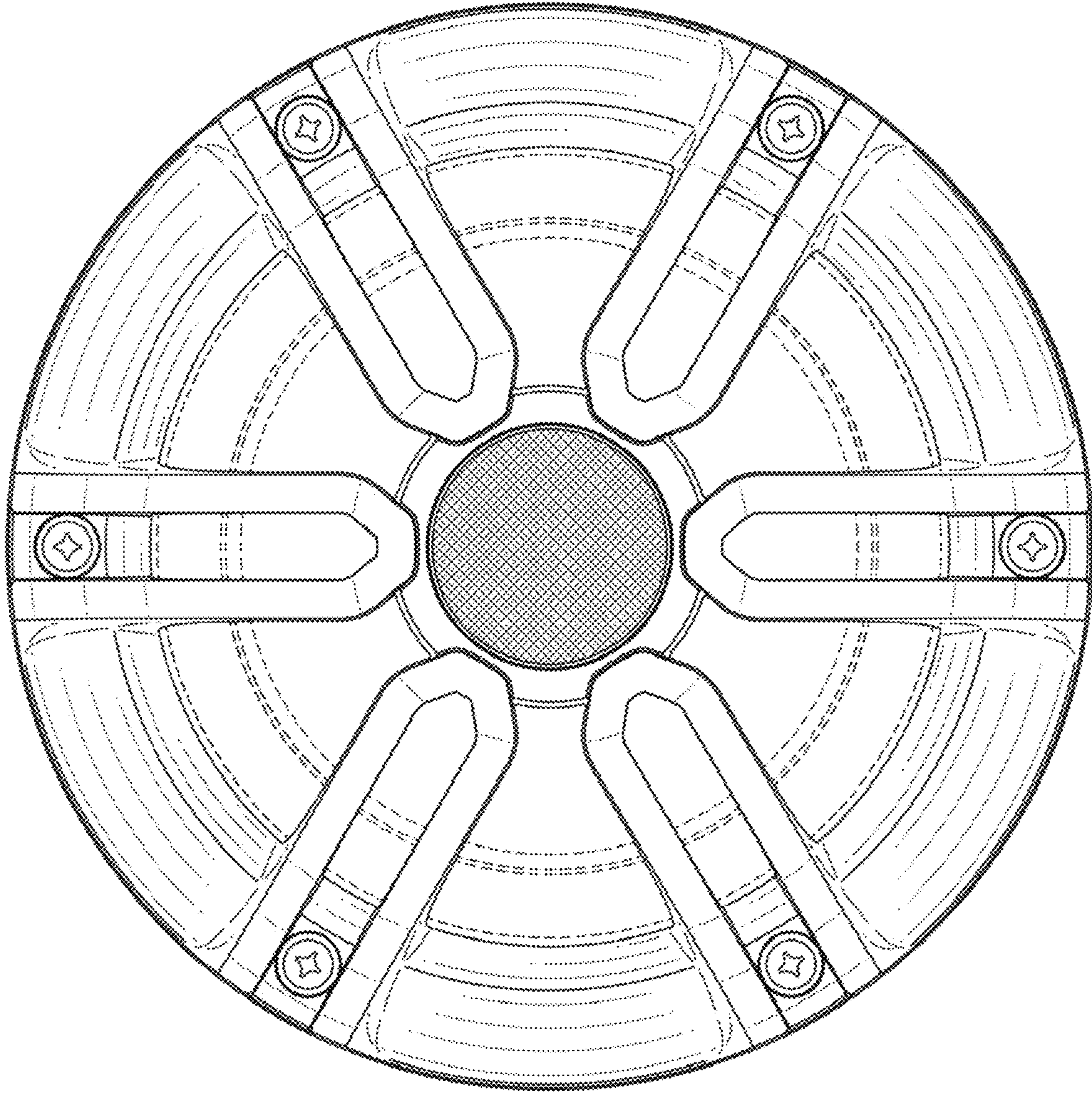


FIG. 2

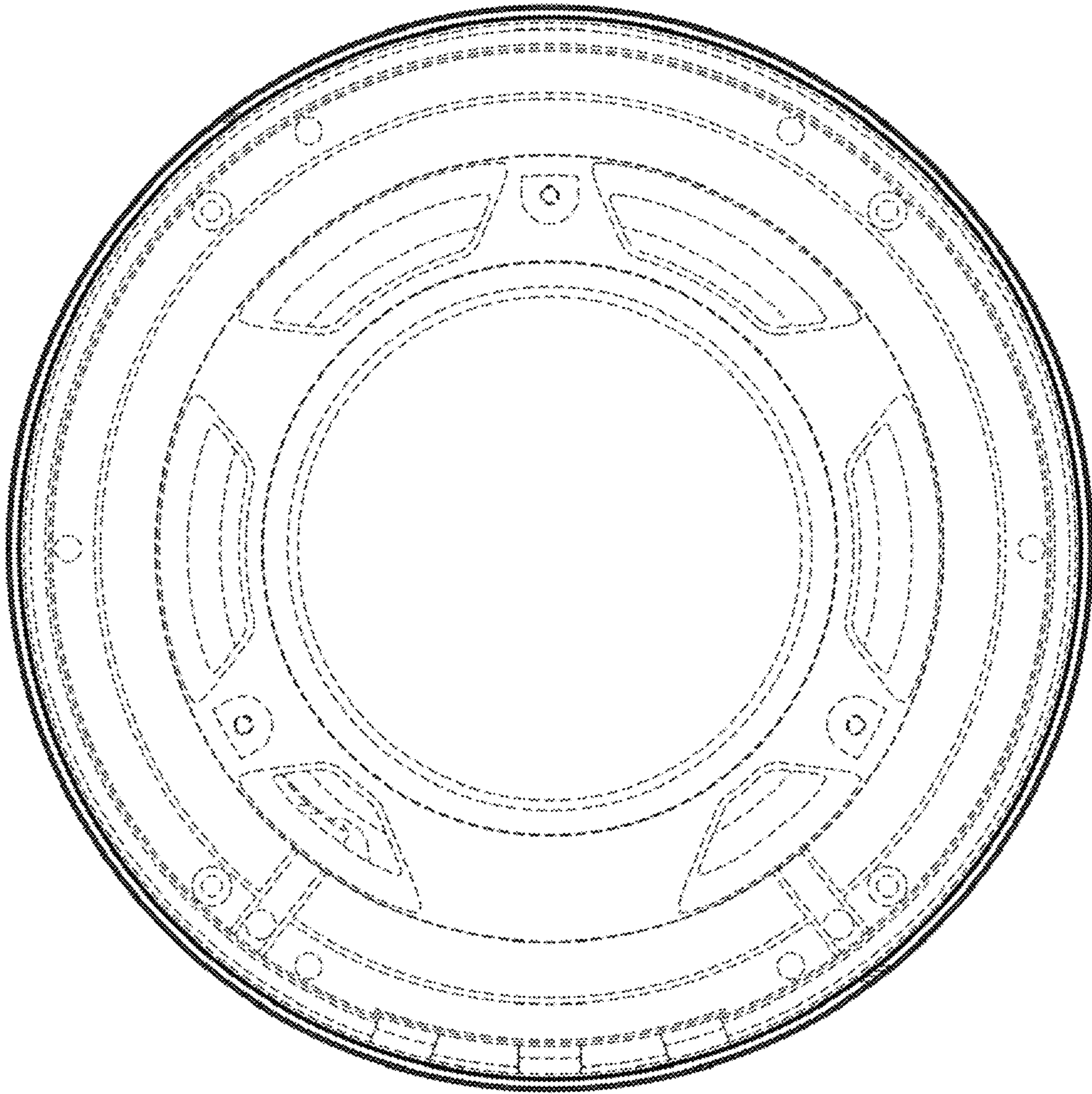


FIG. 3



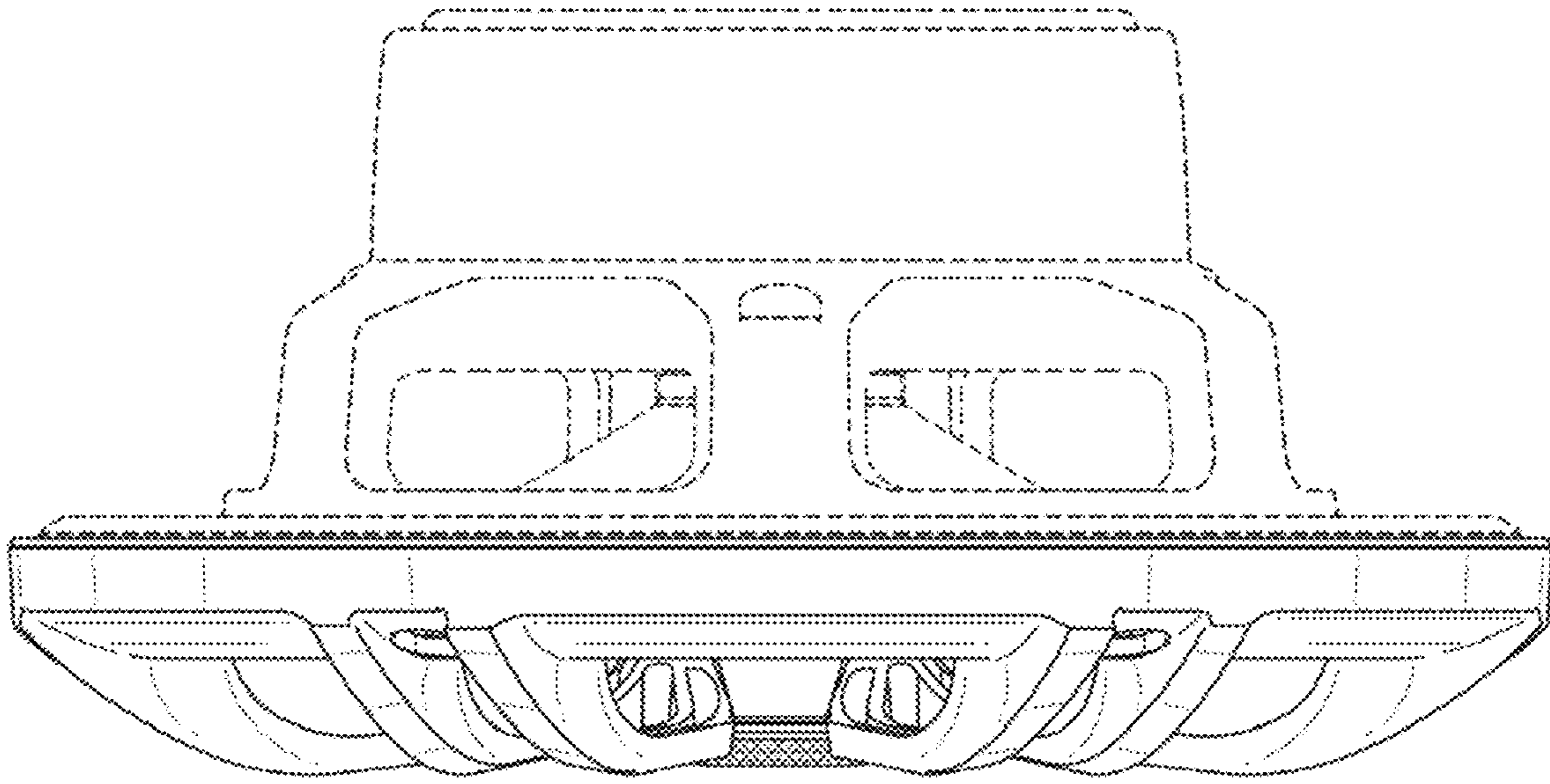


FIG. 4

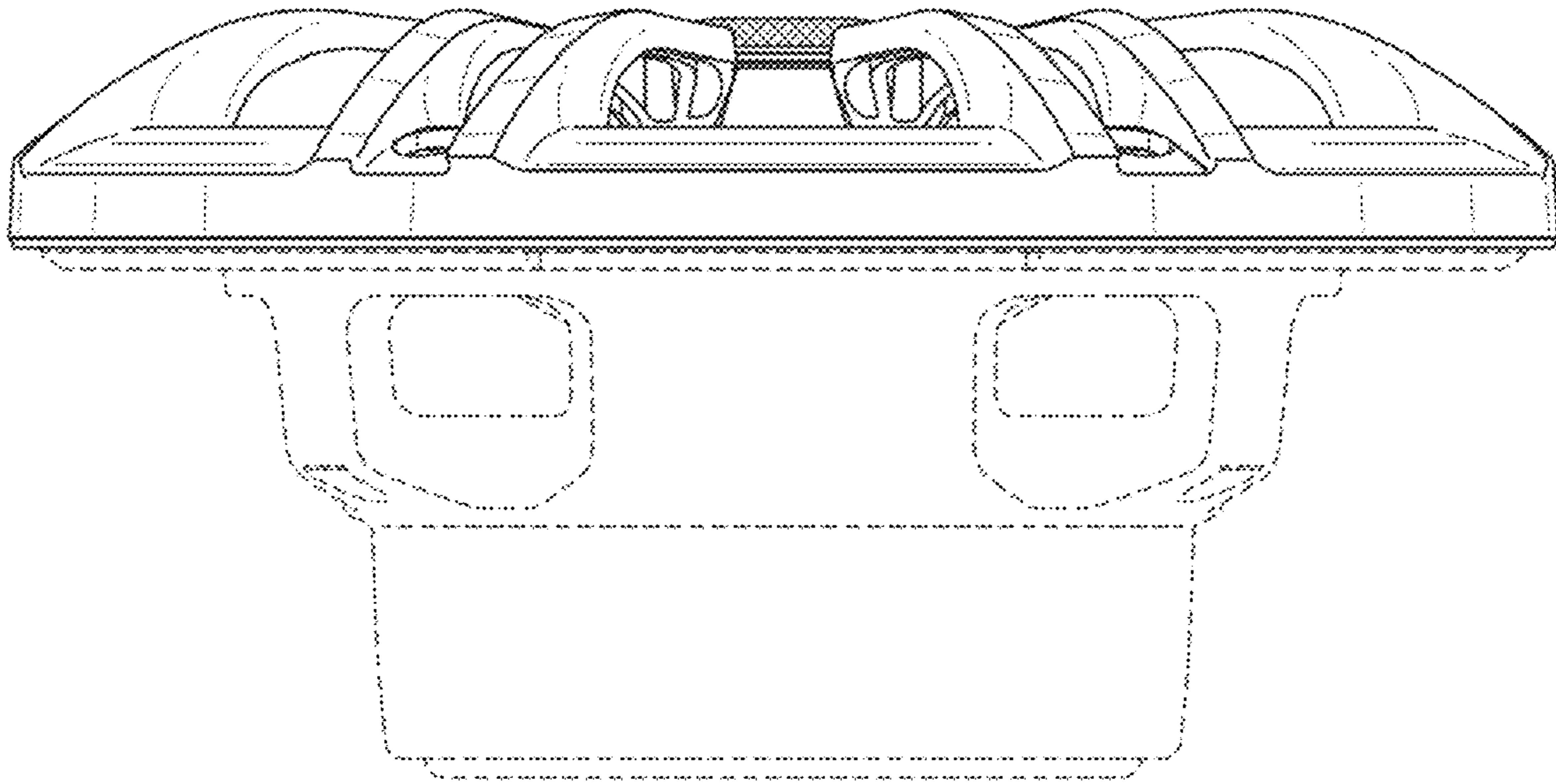


FIG. 5

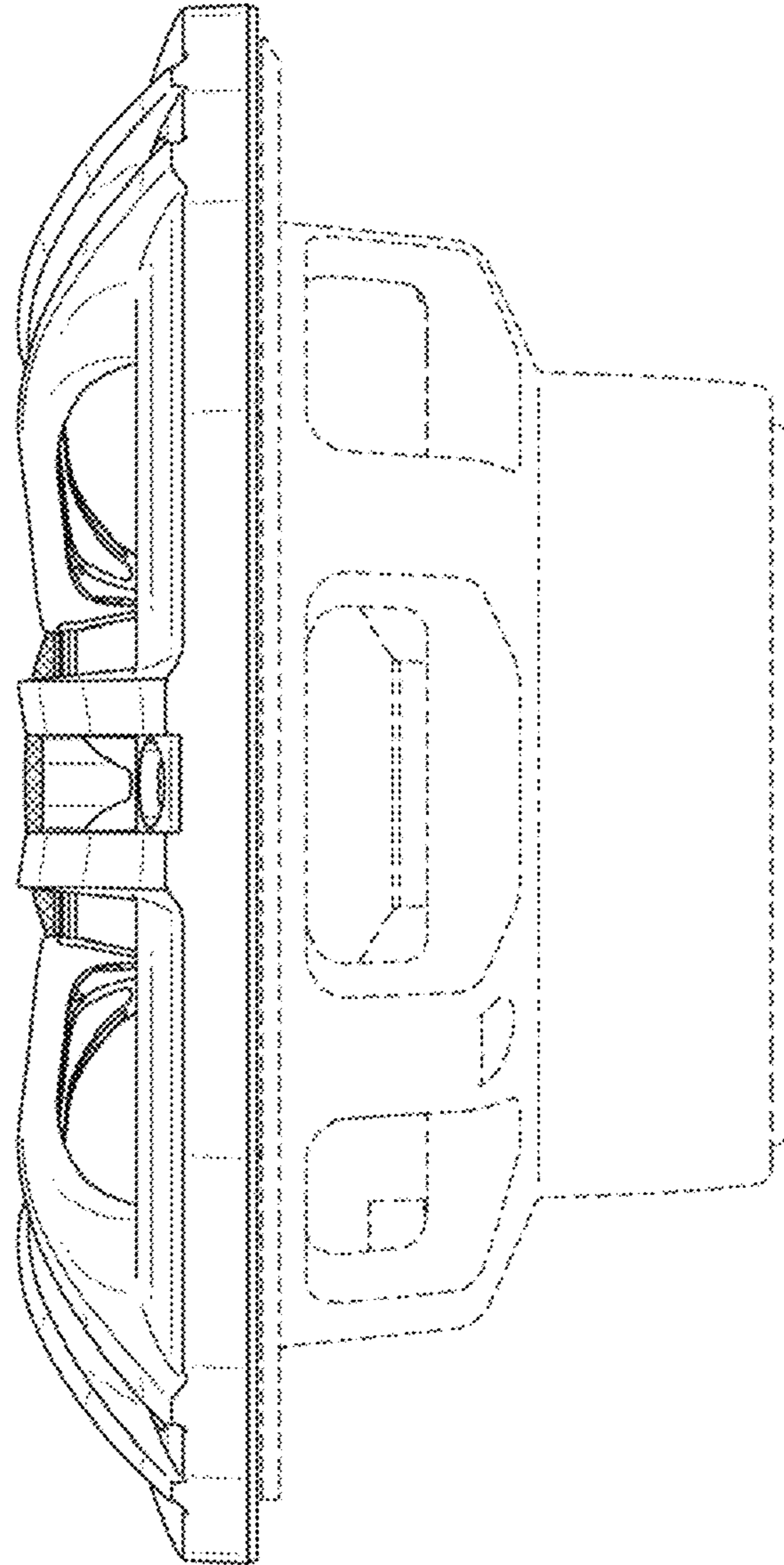


FIG. 6



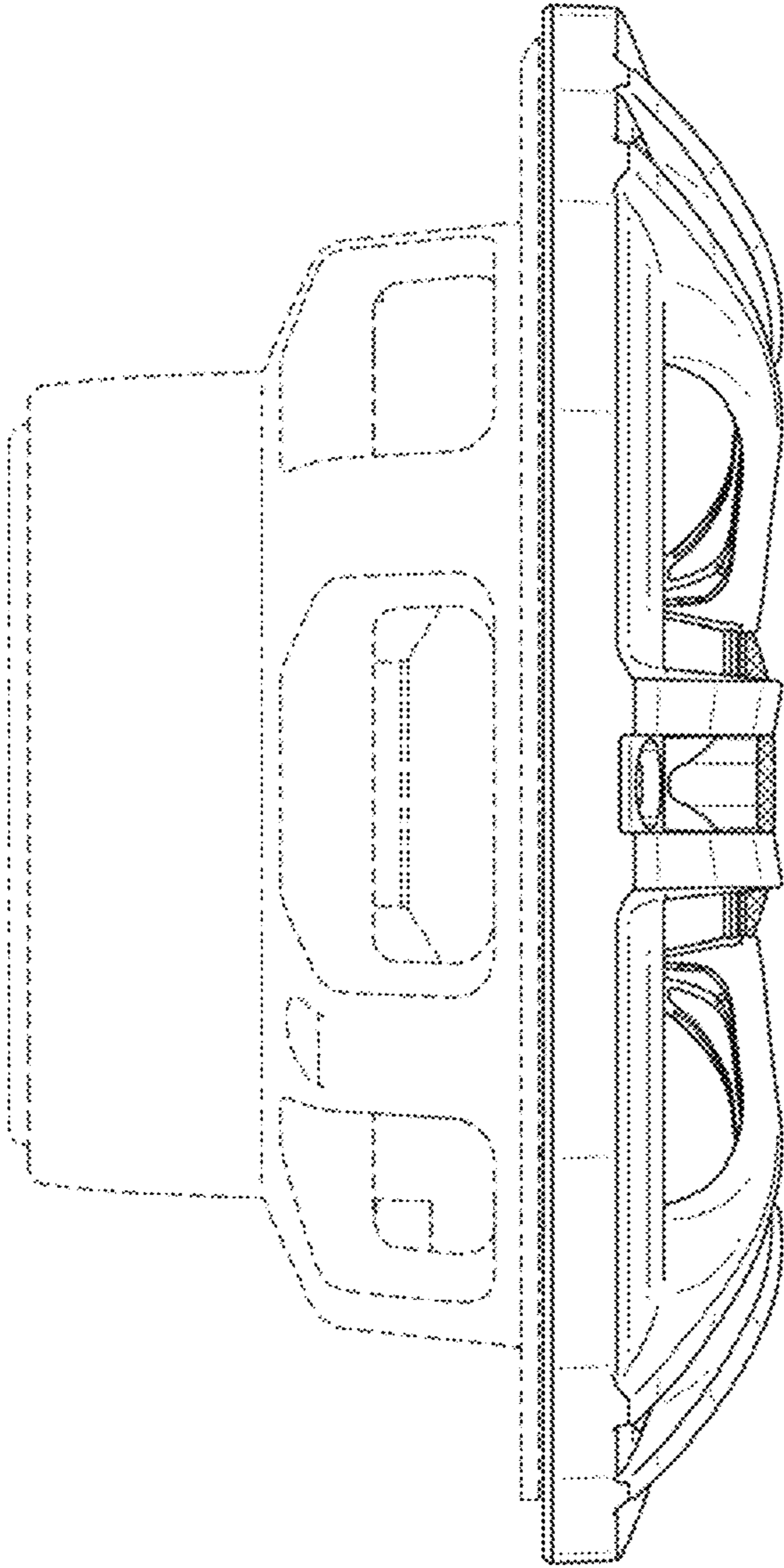


FIG. 7