

US00D947815S

(12) **United States Design Patent**
Cabitzza

(10) **Patent No.:** **US D947,815 S**

(45) **Date of Patent:** **** Apr. 5, 2022**

(54) **LOUDSPEAKER**

(71) Applicant: **RCF S.P.A.**, Reggio Emilia (IT)

(72) Inventor: **Alice Cabitzza**, Correggio (IT)

(73) Assignee: **RCF S.P.A.**, Reggio Emilia (IT)

(**) Term: **15 Years**

(21) Appl. No.: **29/731,461**

(22) Filed: **Apr. 15, 2020**

(30) **Foreign Application Priority Data**

Feb. 11, 2020 (EM) 007688072

(51) **LOC (13) Cl.** **14-01**

(52) **U.S. Cl.**
USPC **D14/214**

(58) **Field of Classification Search**

USPC D14/167, 168, 170-172, 188, 194-196,
D14/204, 209.1, 210-216, 219, 221, 222,
D14/224, 239, 496

CPC B60R 11/0217; G06F 1/1688; G10K 9/22;
G10K 11/004; H03F 1/327; H04M 1/03;
H04M 1/035; H04N 5/642; H04N
21/4852; H04R 1/02; H04R 1/06; H04R
1/021; H04R 1/025; H04R 1/026; H04R
1/028; H04R 1/105; H04R 1/323; H04R
1/403; H04R 1/2803; H04R 1/2834;
H04R 5/02; H04R 7/20; H04R 9/06;
H04R 9/025; H04R 2201/021; H04R
2400/00; H04R 2400/07; H04R 2499/11;
H04R 2499/13; H04R 2499/15; H04S
3/00; H04S 7/30

See application file for complete search history.

(56) **References Cited**

U.S. PATENT DOCUMENTS

4,700,395 A 10/1987 Long
4,805,729 A 2/1989 Wascom
D315,736 S 3/1991 Takagi

D358,818 S * 5/1995 Rozier D14/214
D394,263 S * 5/1998 Fischer D14/214
D412,705 S 8/1999 Laiacona
D521,494 S 5/2006 Koskinen et al.
D529,019 S 9/2006 Lim
D541,259 S * 4/2007 Pincek D14/214
D542,777 S 5/2007 Sato
D544,466 S * 6/2007 Pincek D14/214

(Continued)

FOREIGN PATENT DOCUMENTS

CN 306189511 11/2020
EM 007688072-0001 2/2020

(Continued)

OTHER PUBLICATIONS

Electro-Voice ZLX-12BT 12" 1000W Bluetooth Powered Loud-
speaker, date first available: Sep. 17, 2018, [retrieved Mar. 16,
2021], Retrieved from Internet, URL: [https://www.amazon.com/
Electro-Voice-ZLX-12BT-Bluetooth-Powered-Loudspeaker/dp/
B07HMLYF4J/ref=sr_1_23?dchild=1&keywords=RCF+Speak%E2%
80%A6](https://www.amazon.com/Electro-Voice-ZLX-12BT-Bluetooth-Powered-Loudspeaker/dp/B07HMLYF4J/ref=sr_1_23?dchild=1&keywords=RCF+Speak%E2%80%A6).

Primary Examiner — Keli L Hill

(74) *Attorney, Agent, or Firm* — Pearne & Gordon LLP

(57) **CLAIM**

The ornamental design for a loudspeaker, as shown and
described.

DESCRIPTION

FIG. 1 is a perspective view of a loudspeaker, showing the
new design;

FIG. 2 is a front view thereof;

FIG. 3 is a back view thereof;

FIG. 4 is a left-side view thereof;

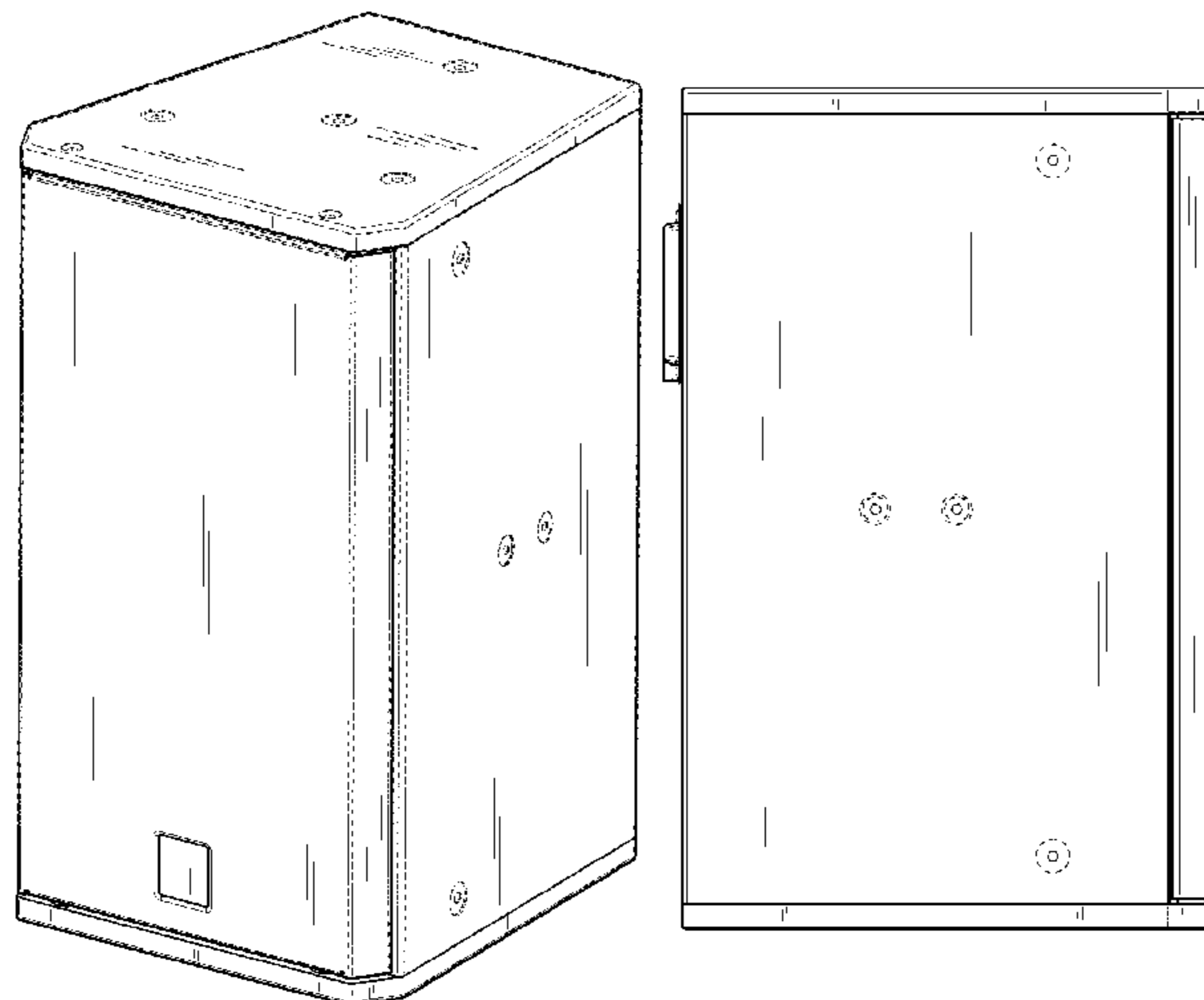
FIG. 5 is a right-side view thereof;

FIG. 6 is a top view thereof; and,

FIG. 7 is a bottom view thereof.

The broken lines in the drawings represent unclaimed sub-
ject matter and form no part of the claimed design.

1 Claim, 4 Drawing Sheets



(56)

References Cited

U.S. PATENT DOCUMENTS

D554,106 S 10/2007 Gan et al.
 D557,257 S * 12/2007 Azumi D14/214
 D558,737 S 1/2008 Poandl
 D561,161 S 2/2008 Cho
 D575,271 S * 8/2008 Baird D14/214
 D581,901 S * 12/2008 Pincek D14/214
 D582,892 S * 12/2008 Baird D14/214
 D609,216 S 2/2010 Davies et al.
 D638,400 S * 5/2011 Hawkins D14/214
 D642,555 S * 8/2011 Hawkins D14/214
 D682,250 S 5/2013 Mattioli
 D695,269 S 12/2013 Carpenter et al.
 D710,332 S * 8/2014 Baird D14/221
 9,014,411 B2 4/2015 Rodgers
 D733,680 S 7/2015 Nugent
 D741,293 S 10/2015 Baird et al.
 D742,854 S 11/2015 Warden et al.

D753,092 S 4/2016 Warden et al.
 D836,596 S 12/2018 Warden et al.
 D862,411 S 10/2019 Yang et al.
 D907,600 S 1/2021 Nugent
 D909,334 S 2/2021 Yang et al.
 2018/0376265 A1 12/2018 Warden et al.
 2020/0196037 A1 6/2020 Howard et al.

FOREIGN PATENT DOCUMENTS

EM 007688072-0002 2/2020
 EM 007688072-0003 2/2020
 EM 007688072-0004 2/2020
 GB 9007688072-0001 2/2020
 GB 9007688072-0002 2/2020
 GB 9007688072-0003 2/2020
 GB 9007688072-0004 2/2020
 GB 9007688072-0005 2/2020
 GB 9007688072-0006 2/2020

* cited by examiner

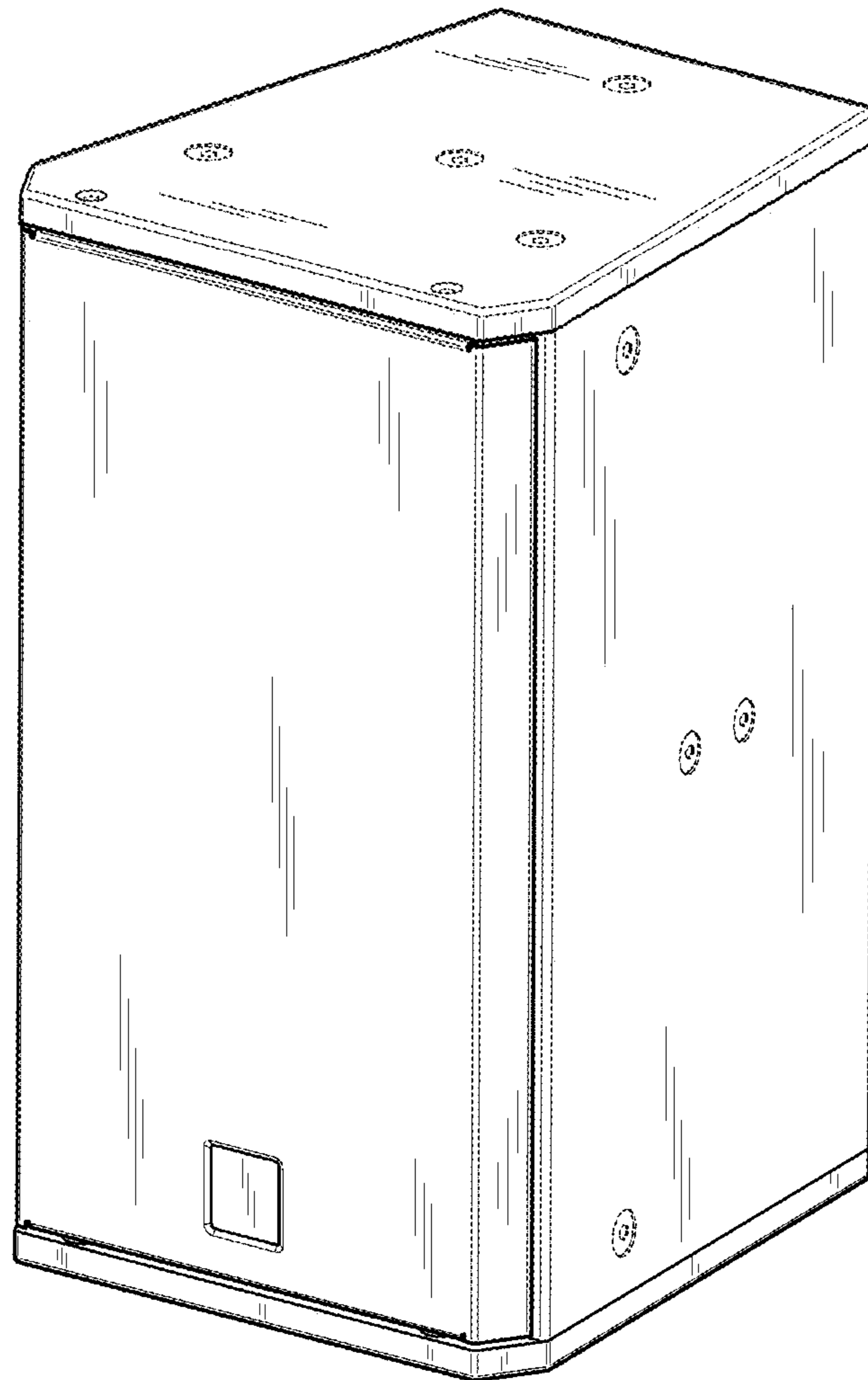


FIG. 1

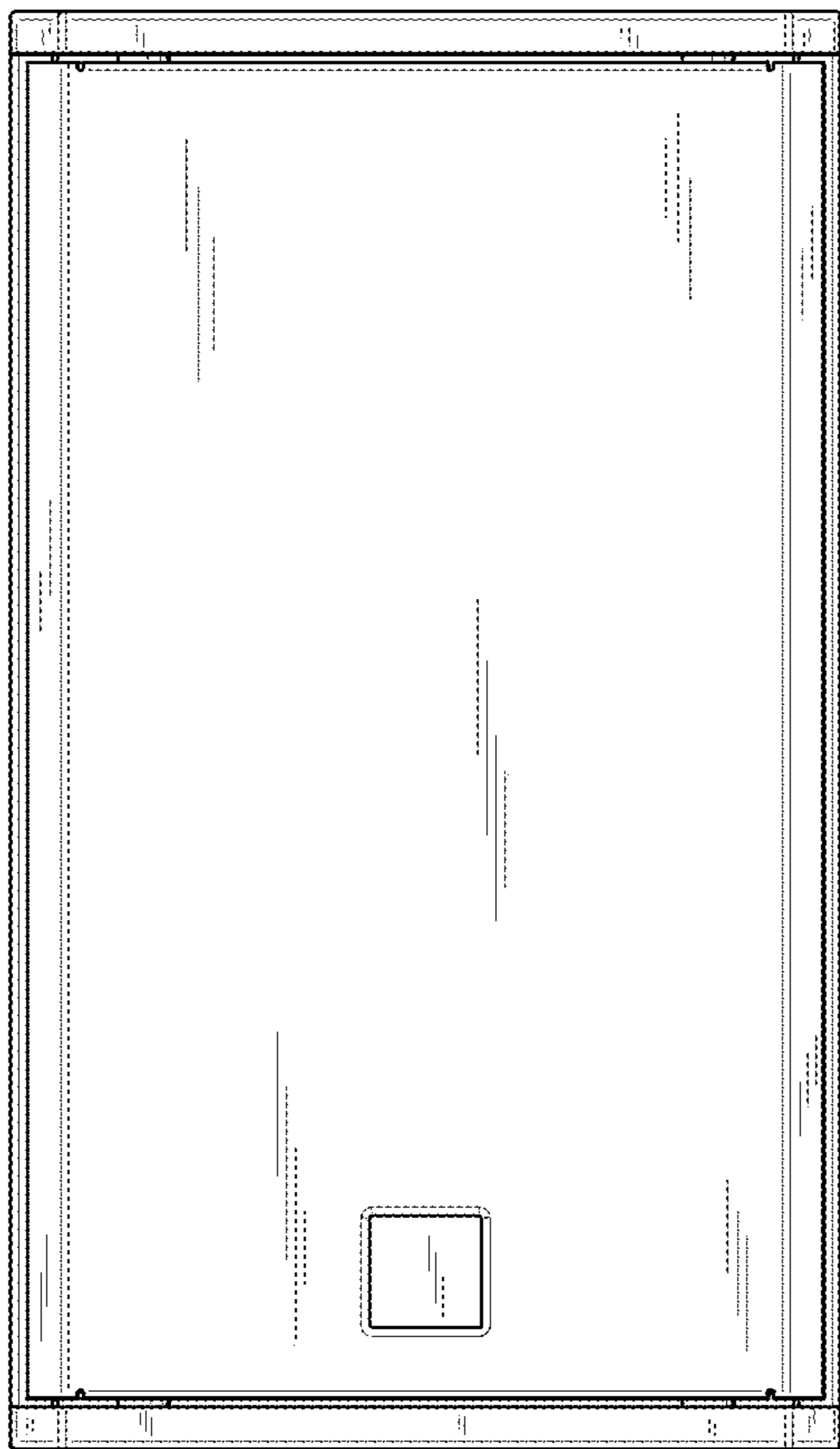


FIG. 2

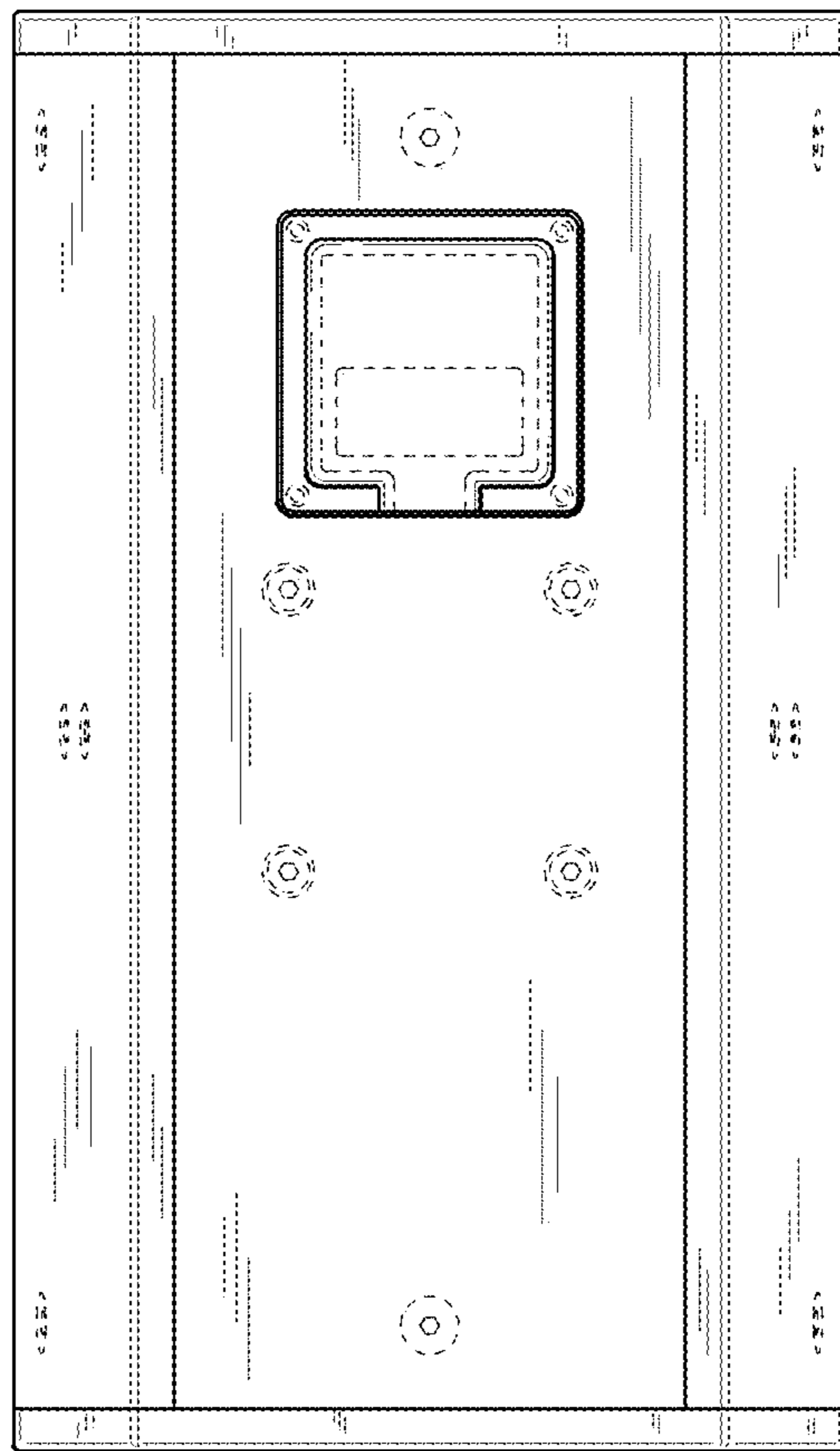


FIG. 3

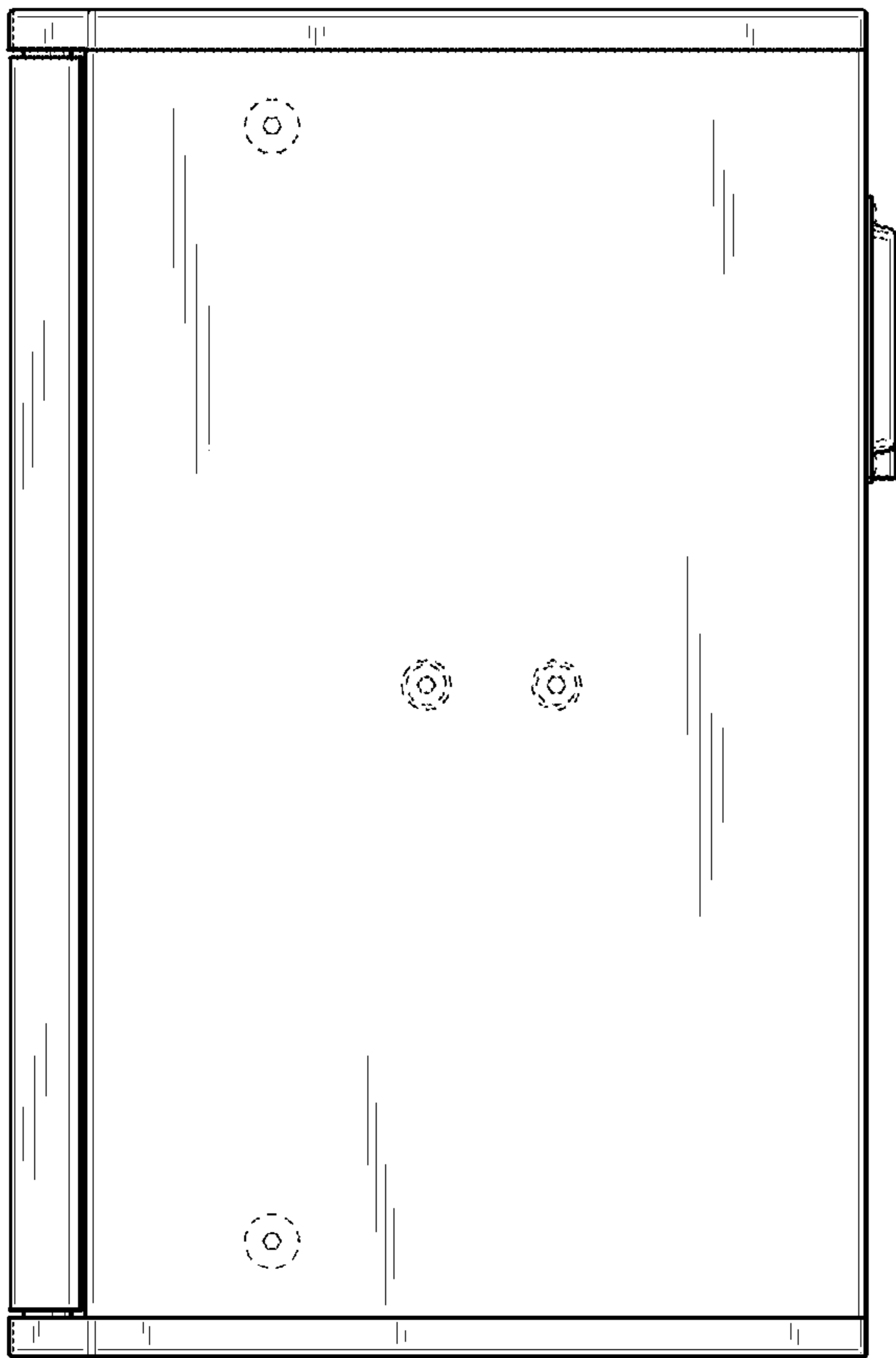


FIG. 4

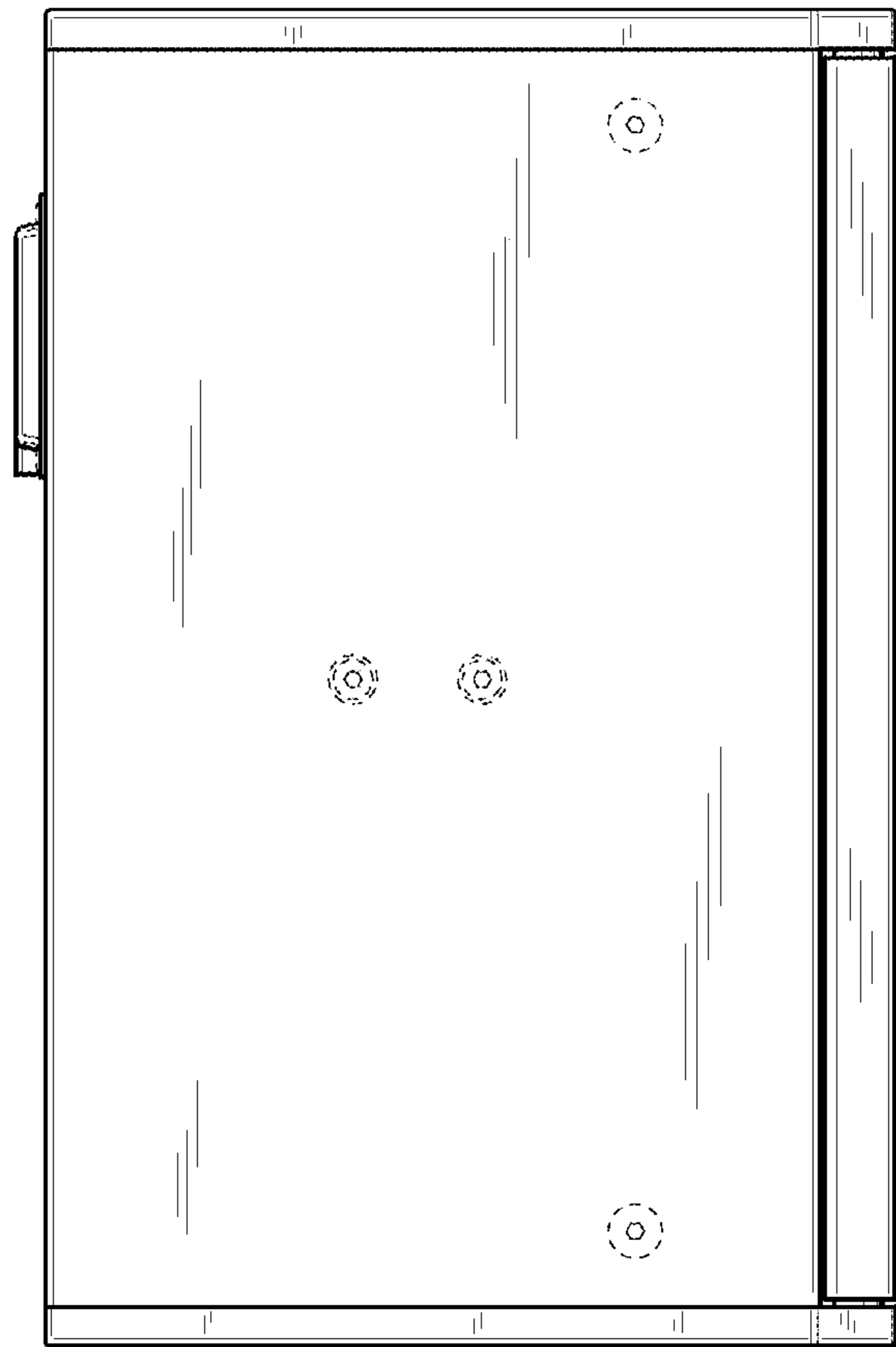


FIG. 5

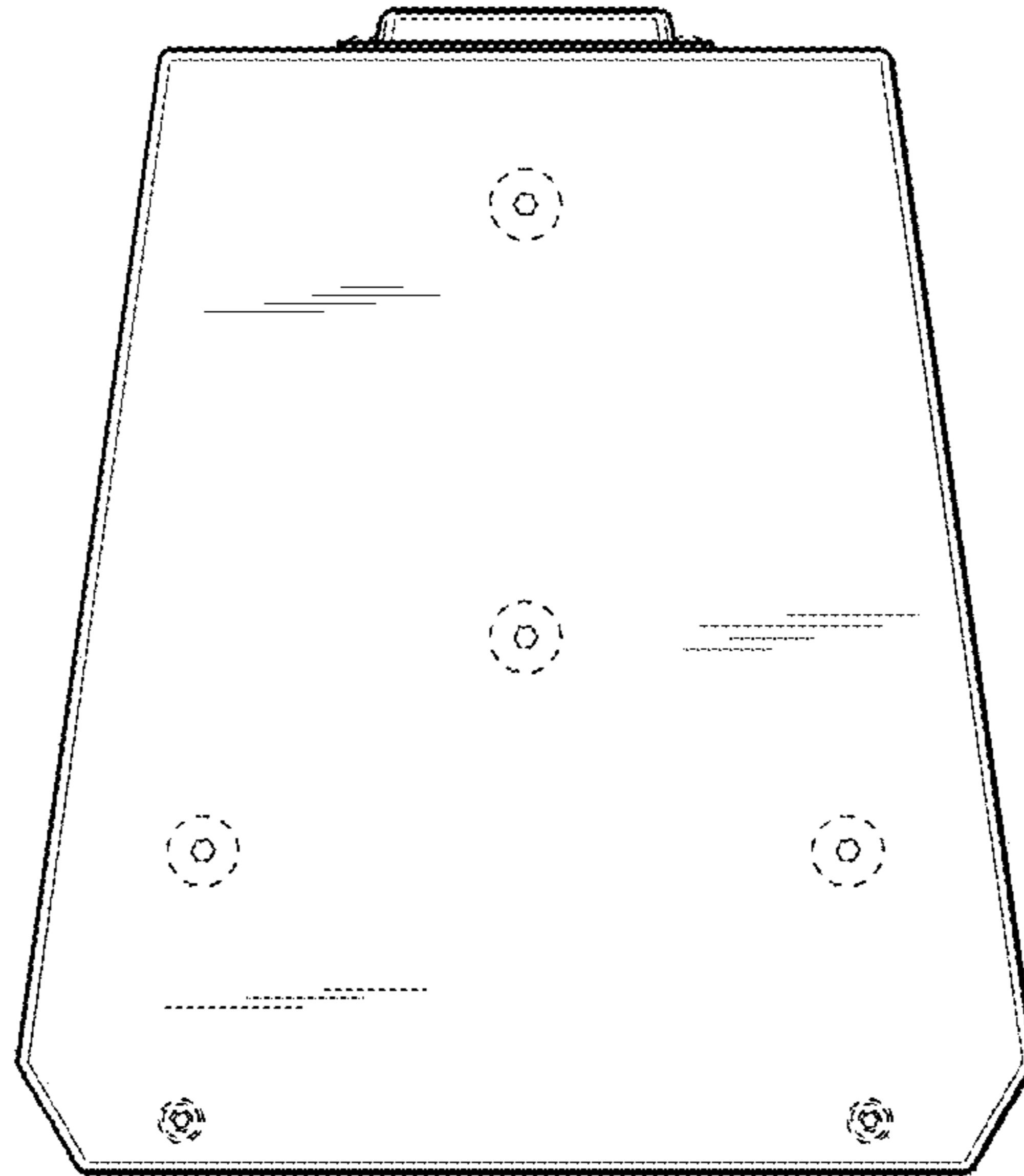


FIG. 6

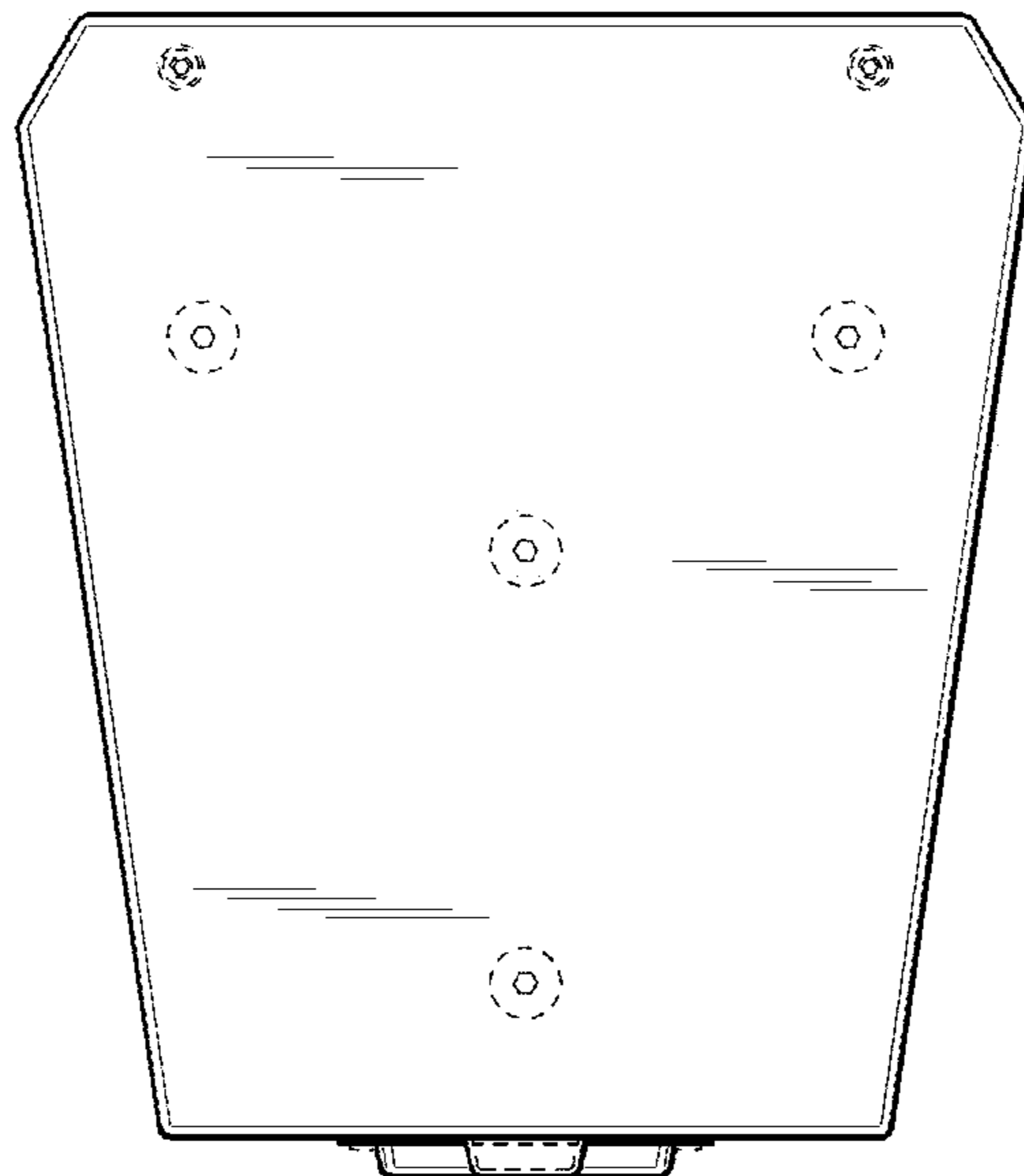


FIG. 7