

US00D947814S

(12) **United States Design Patent**
Walcott et al.

(10) **Patent No.:** **US D947,814 S**

(45) **Date of Patent:** **** Apr. 5, 2022**

(54) **SPEAKER**

CPC H01R 1/02; H01R 1/1021; H01R 1/1023;
H01R 5/00; H01R 9/06; H01R 2420/07
See application file for complete search history.

(71) Applicant: **Dolby Laboratories Licensing Corporation**, San Francisco, CA (US)

(72) Inventors: **Drew Alexander Walcott**, San Francisco, CA (US); **Grayson H. Byrd**, San Francisco, CA (US); **Peter Michaelian**, San Francisco, CA (US); **Brian Edward Renz**, San Francisco, CA (US); **John Carson Stewart**, San Francisco, CA (US); **Cody Michael Proksa**, San Francisco, CA (US); **Vincent Voron**, San Francisco, CA (US); **Sripal S. Mehta**, San Francisco, CA (US); **Alan J. Seefeldt**, San Francisco, CA (US)

(73) Assignee: **DOLBY LABORATORIES LICENSING CORPORATION**, San Francisco, CA (US)

(**) Term: **15 Years**

(21) Appl. No.: **29/794,819**

(22) Filed: **Jun. 15, 2021**

Related U.S. Application Data

(60) Continuation of application No. 29/725,718, filed on Feb. 26, 2020, now Pat. No. Des. 922,351, which is a division of application No. 29/657,810, filed on Jul. 25, 2018, now Pat. No. Des. 880,453.

(51) **LOC (13) Cl.** **14-01**

(52) **U.S. Cl.**
USPC **D14/209.1; D14/216; D14/228**

(58) **Field of Classification Search**
USPC ... **D14/209.1, 228, 204, 216, 211, 215, 224, D14/224.1, 225; 181/155, 198, 199, 150; 381/301-303, 306, 322, 334, 336, 345, 381/361, 362, 363, 386-388; 455/90.3, 455/575.1, 569.1**

(56) **References Cited**

U.S. PATENT DOCUMENTS

2,646,240 A	7/1953	Anderson	
D186,892 S	12/1959	Wilber et al.	
2,918,568 A	12/1959	Steber	
3,026,956 A *	3/1962	Wilber	H04R 1/021 181/153
3,083,979 A	4/1963	Boyd	

(Continued)

FOREIGN PATENT DOCUMENTS

CN	305498477	7/2018
CN	305625483	7/2018

(Continued)

Primary Examiner — Paula Allen Greene

(74) *Attorney, Agent, or Firm* — McAndrews, Held & Malloy, Ltd.

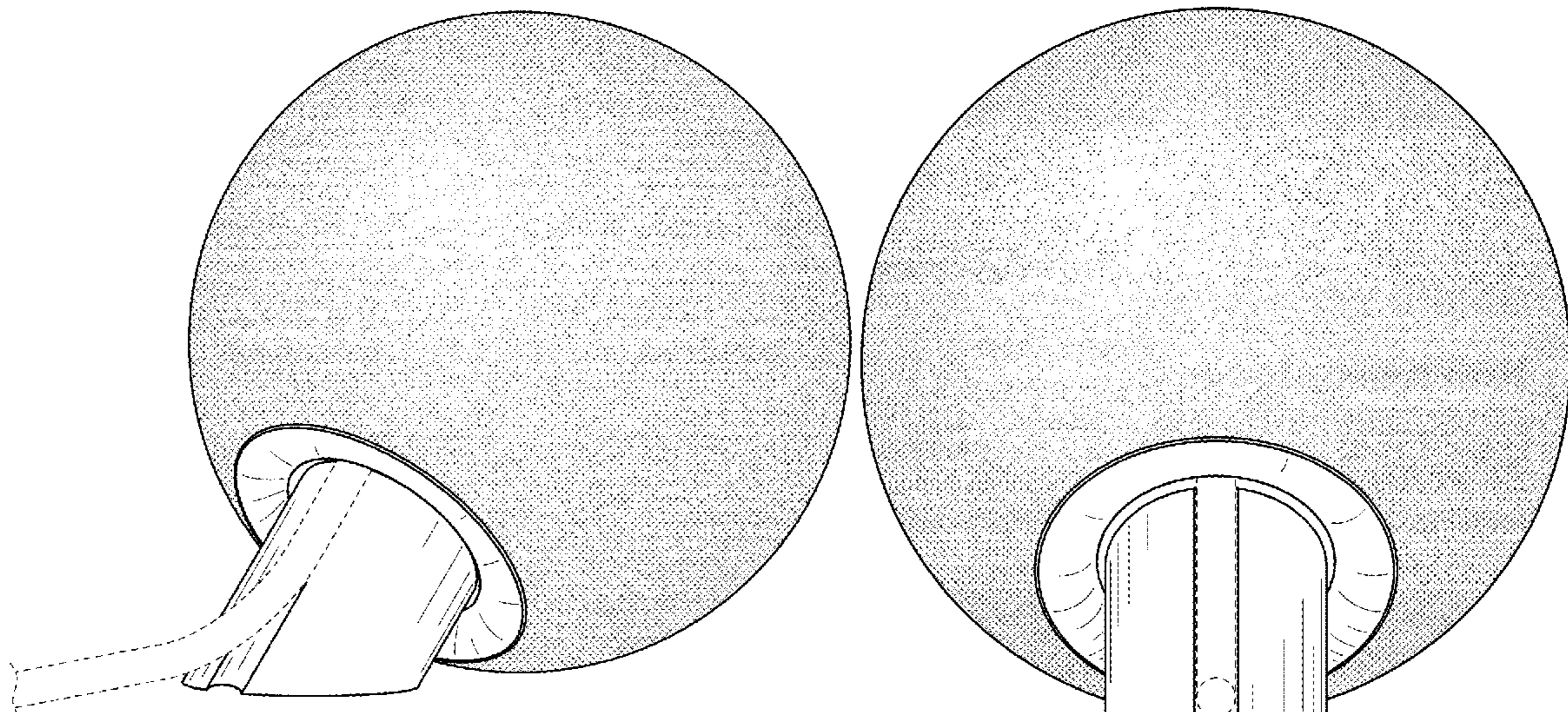
(57) **CLAIM**

The ornamental design for a speaker, as shown and described.

DESCRIPTION

FIG. 1 is a rear perspective view of a speaker showing our new design;
FIG. 2 is a left side elevation view thereof;
FIG. 3 is a right side elevation view thereof;
FIG. 4 is a front elevation view thereof;
FIG. 5 is a rear elevation view thereof;
FIG. 6 is a top plan view thereof; and,
FIG. 7 is a bottom plan view thereof.
The dashed broken lines in the figures illustrate portions of the speaker that form no part of the claimed design.

1 Claim, 4 Drawing Sheets



US D947,814 S

(56)

References Cited

U.S. PATENT DOCUMENTS

D203,003	S	11/1965	Spencer et al.	
3,240,456	A	3/1966	Hartman	
D210,538	S	3/1968	Lahti et al.	
3,385,929	A	5/1968	Magyar et al.	
3,435,910	A	4/1969	Lahti	
3,514,839	A *	6/1970	Rodrigues	B21D 51/24 29/463
D222,072	S	9/1971	Levitt et al.	
3,720,787	A	3/1973	Ishii et al.	
D229,973	S *	1/1974	Houlihan	D14/188
3,812,301	A	5/1974	Lahti	
4,052,564	A	10/1977	Propst et al.	
D281,066	S	10/1985	Humble et al.	
4,563,542	A	1/1986	Pollack	
4,665,550	A *	5/1987	Haas	H04R 1/403 381/182
4,945,223	A *	7/1990	Beauzamy	H01J 29/003 250/214 VT
4,953,223	A	8/1990	Householder	
4,989,254	A	1/1991	Amalaha	
D349,704	S	8/1994	Tsing	
5,444,194	A	8/1995	Reinke	
D395,715	S	6/1998	Queen	
D397,119	S	8/1998	Okon	
5,812,685	A	9/1998	Fujita et al.	
5,952,620	A	9/1999	Hamilton et al.	
6,009,972	A	1/2000	Choi et al.	
D426,230	S	6/2000	De Iuliis	
D430,142	S	8/2000	Kuo et al.	
D447,471	S	9/2001	Andre et al.	
D466,887	S	12/2002	Lewis	
D487,737	S	3/2004	Lewis	
D497,358	S *	10/2004	Takeuchi	D14/211
D499,666	S	12/2004	Ciaccia	
6,856,692	B2 *	2/2005	Lin	H04R 1/026 181/199
D510,926	S	10/2005	Jerome	
D514,093	S	1/2006	Borsboom	
D519,112	S	4/2006	Yang	
7,068,801	B1	6/2006	Stinson et al.	
D526,644	S	8/2006	Breit	
D552,054	S	10/2007	Angarita	
D567,673	S	4/2008	Chu et al.	
D573,135	S	7/2008	Laituri et al.	
D592,217	S	5/2009	Chen et al.	
D593,543	S	6/2009	Lui	
D597,532	S	8/2009	Wang	
D602,910	S	10/2009	Wang et al.	
7,840,013	B2	11/2010	Dedieu et al.	

7,886,867	B2	2/2011	Adams	
8,068,618	B2 *	11/2011	Vollmer	H04R 1/323 381/89
D676,423	S	2/2013	Joseph	
D696,298	S	12/2013	Britt, Jr. et al.	
D703,193	S	4/2014	Trewartha et al.	
D711,351	S	8/2014	Breines	
8,989,420	B1	3/2015	Hamer et al.	
D728,518	S	5/2015	Babataher	
D729,204	S	5/2015	Tze-Yen et al.	
D733,690	S	7/2015	Zukowski	
D744,977	S	12/2015	Wagner	
D756,326	S	5/2016	Holzer	
D765,617	S	9/2016	Mackiewicz et al.	
D770,415	S	11/2016	Pellisari et al.	
D781,274	S	3/2017	Kim et al.	
D781,813	S	3/2017	Pignotti et al.	
D789,906	S	6/2017	Zhang	
D793,363	S	8/2017	Zhang	
D794,220	S	8/2017	Tel-Oren et al.	
D808,936	S	1/2018	Cooper et al.	
D811,392	S	2/2018	Lu et al.	
D813,191	S	3/2018	Pignotti	
D829,688	S	10/2018	Tanaka et al.	
D839,856	S	2/2019	Chen	
D851,073	S	6/2019	Tong	
D855,584	S	8/2019	Laine et al.	
D880,453	S *	4/2020	Walcott	D14/209.1
D884,673	S	5/2020	Han et al.	
D890,118	S	7/2020	Hubert et al.	
D891,393	S	7/2020	Lalvani	
D909,993	S	2/2021	Han et al.	
D922,351	S *	6/2021	Walcott	D14/209.1
D928,738	S *	8/2021	Walcott	D14/216
D928,739	S *	8/2021	Walcott	D14/216
2006/0013411	A1	1/2006	Lin	
2006/0159301	A1	7/2006	Guenther	
2007/0160246	A1	7/2007	Vollmer	
2008/0137880	A1	6/2008	Mills et al.	
2010/0296686	A1	11/2010	Machii et al.	
2014/0064543	A1	3/2014	Zukowski	
2017/0303023	A1	10/2017	Lin	
2020/0196055	A1	6/2020	Paslawski	
2021/0303041	A1 *	9/2021	Minnehan	G06F 1/20

FOREIGN PATENT DOCUMENTS

EM	006081873-0001	1/2019
EM	006081873-0002	1/2019
EM	006081873-0003	1/2019
EM	006081873-0004	1/2019

* cited by examiner

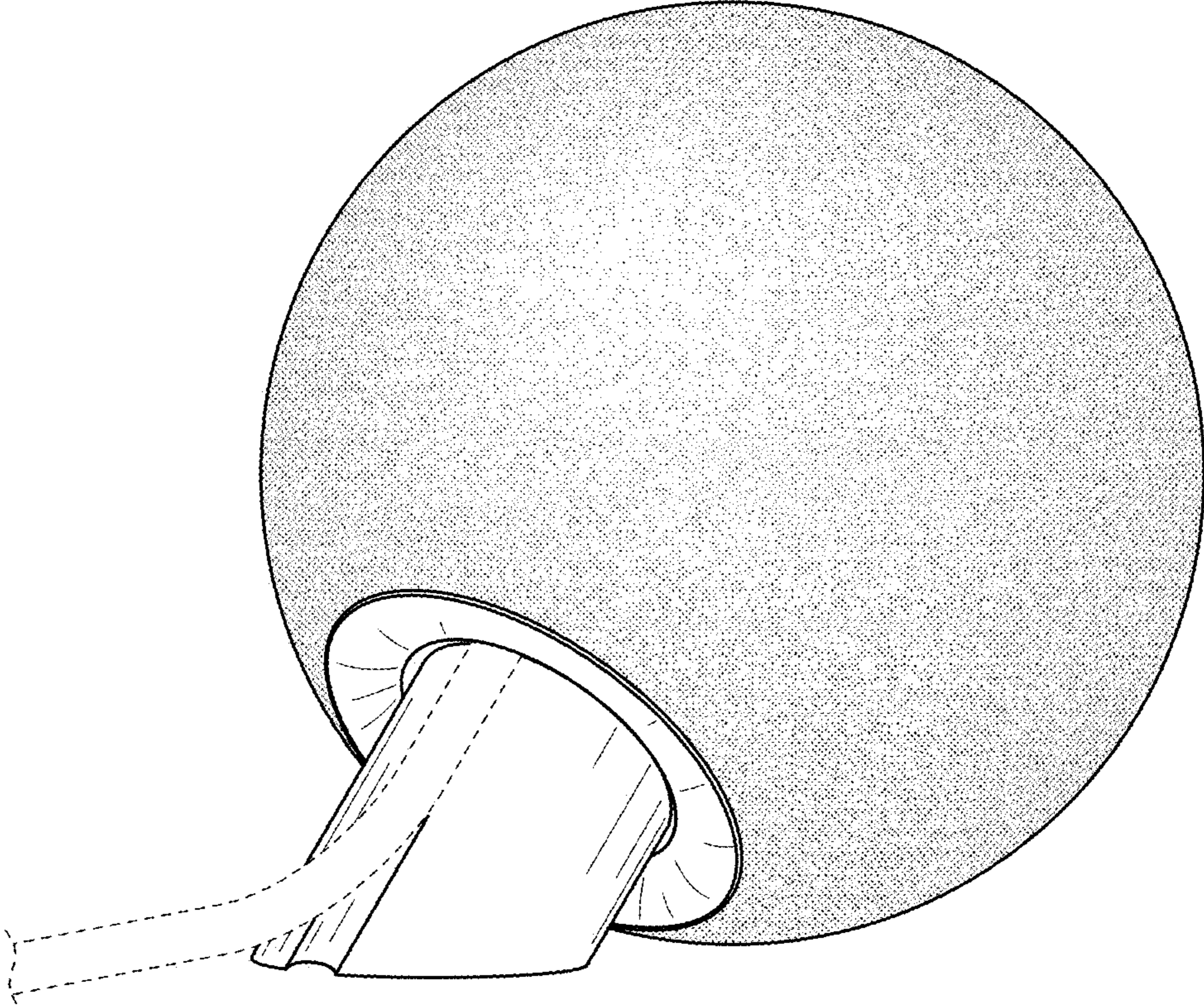


FIG. 1

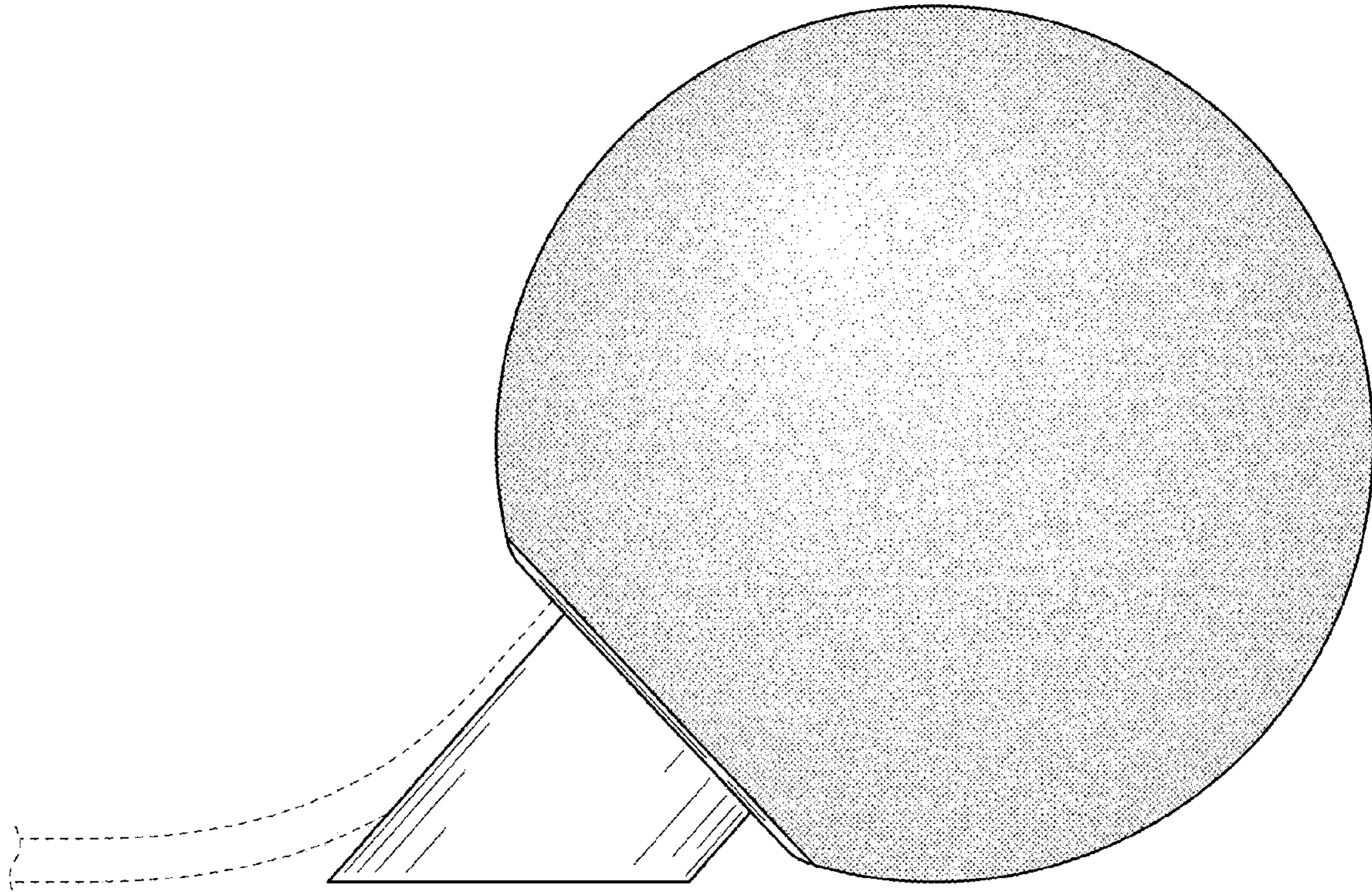


FIG. 2

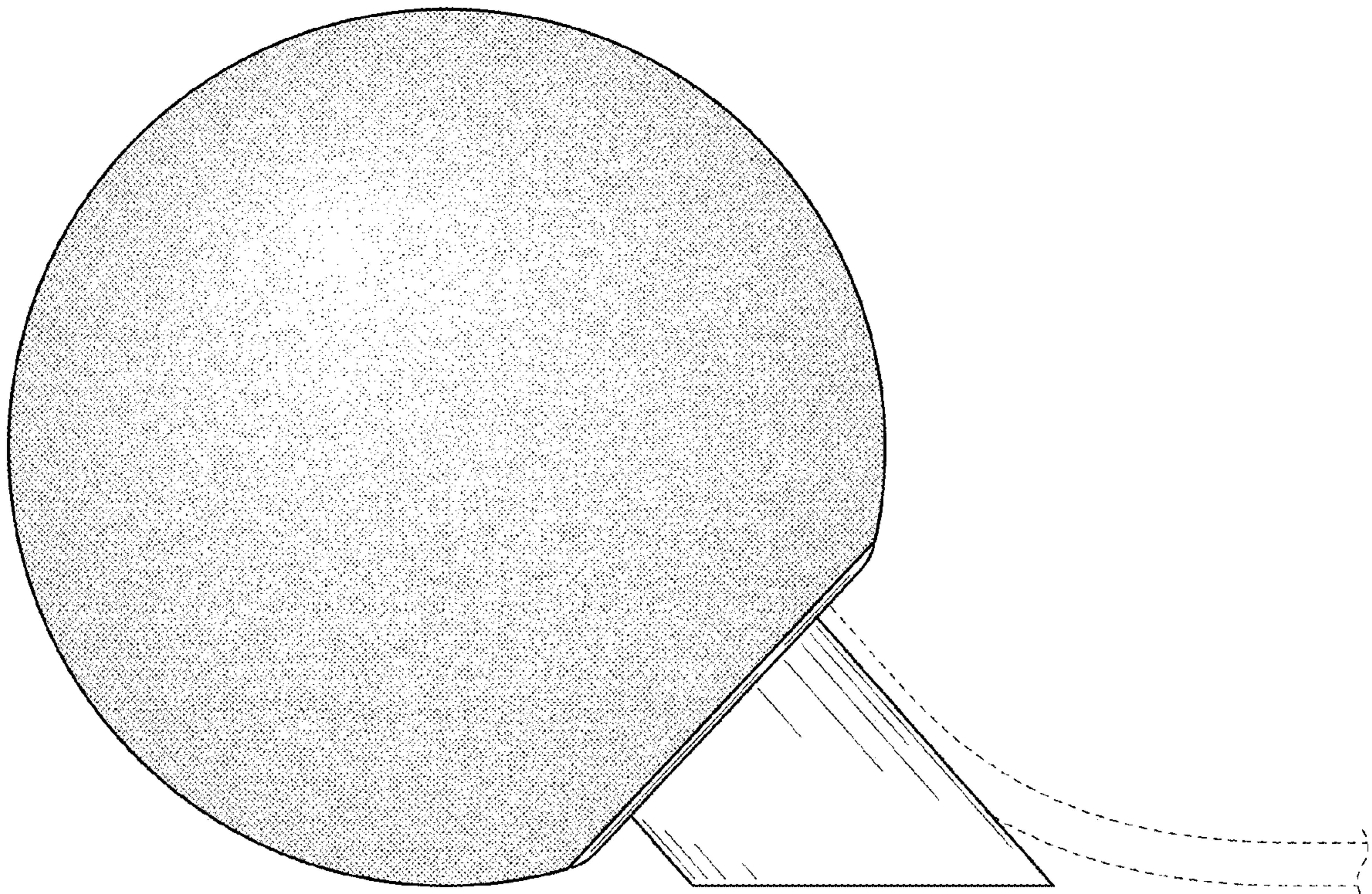


FIG. 3

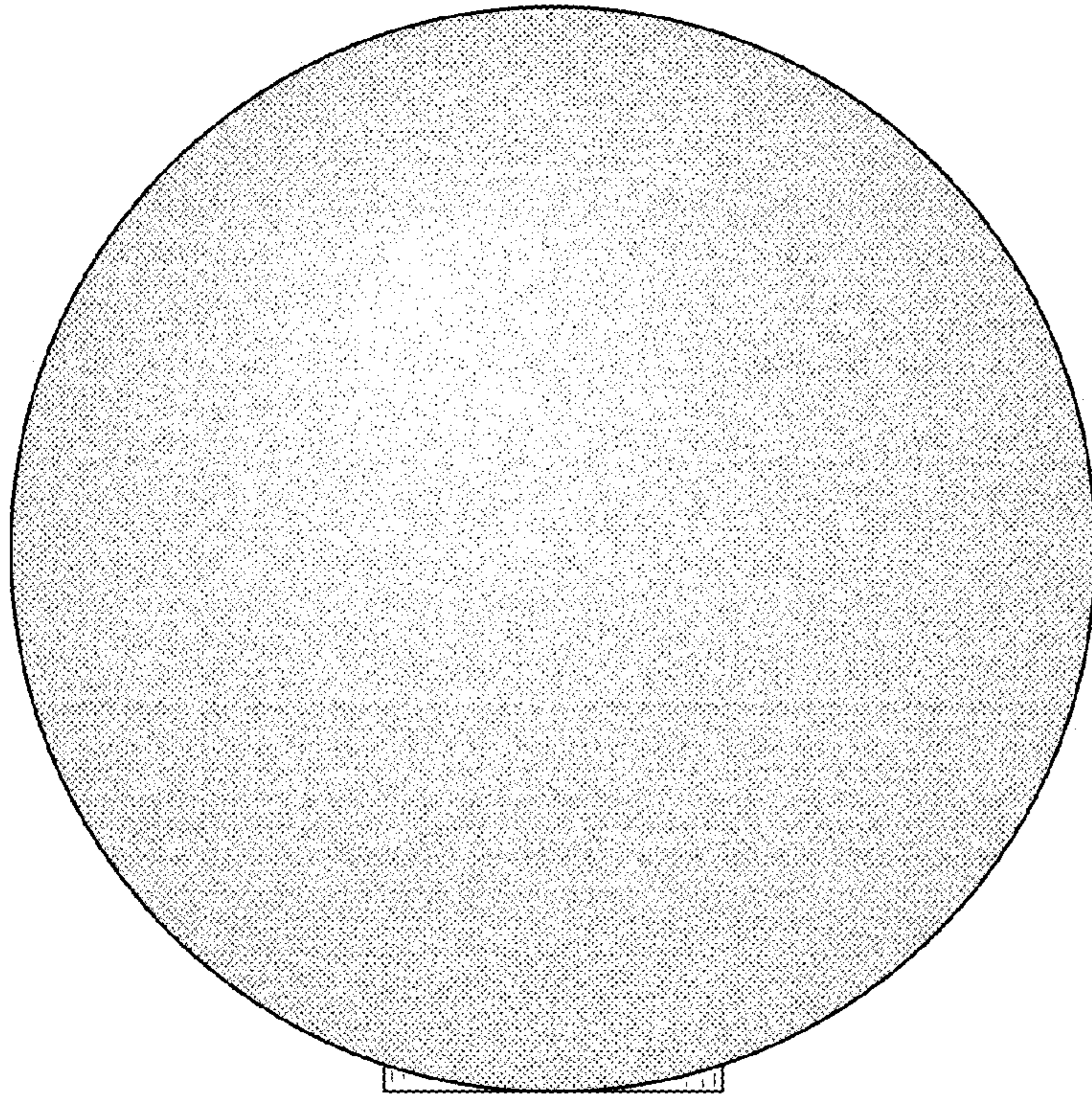


FIG. 4

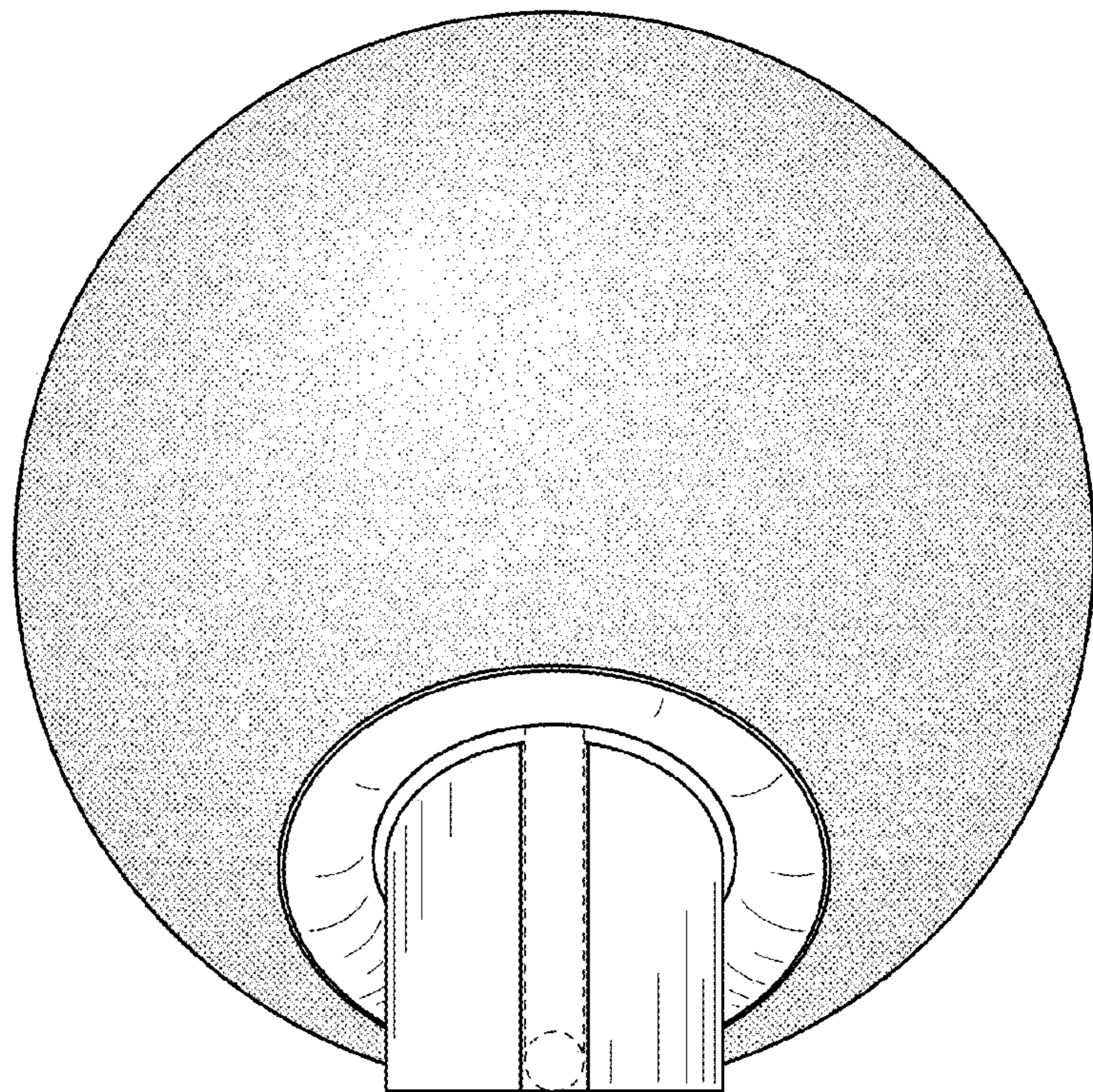


FIG. 5

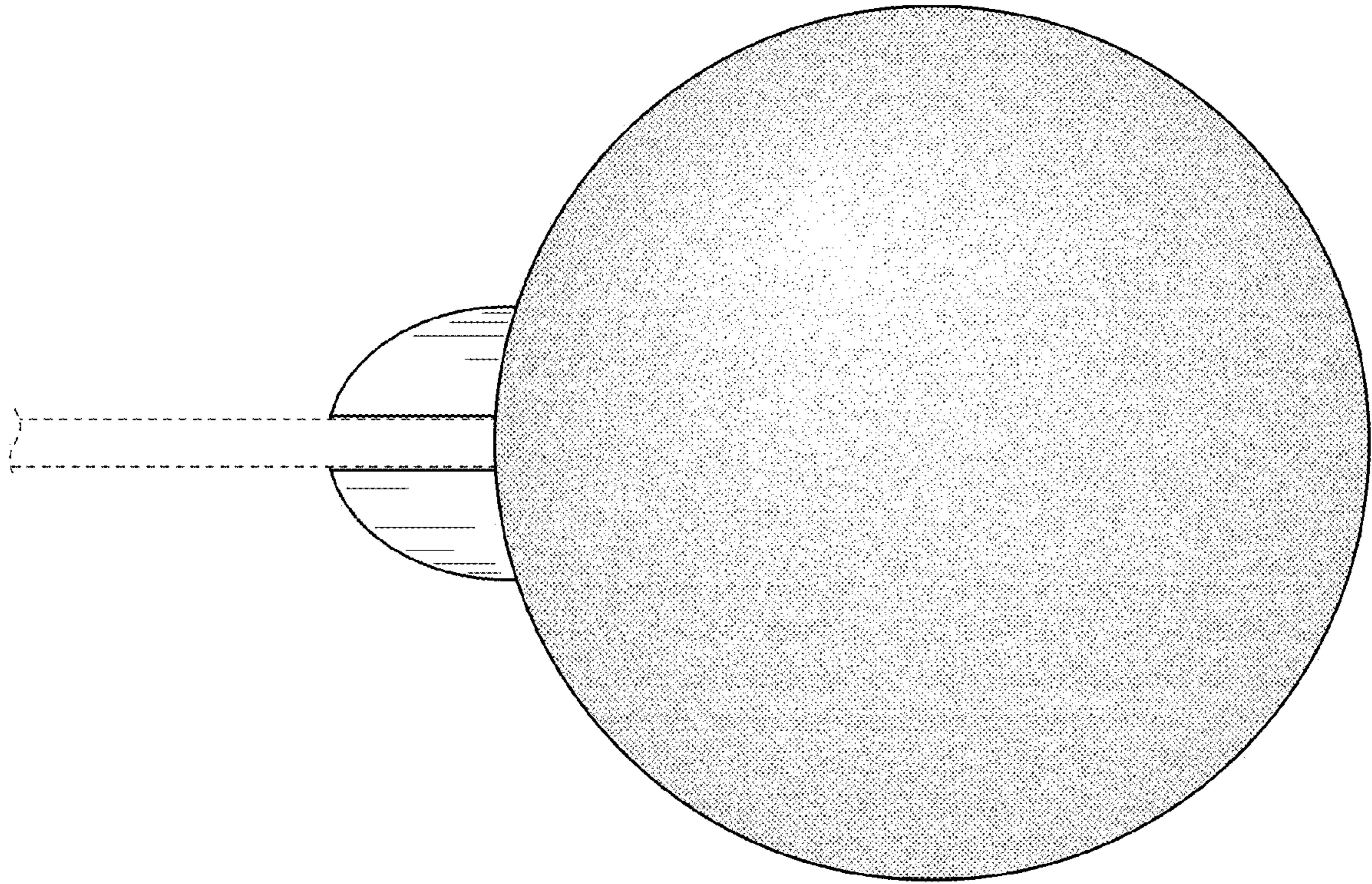


FIG. 6

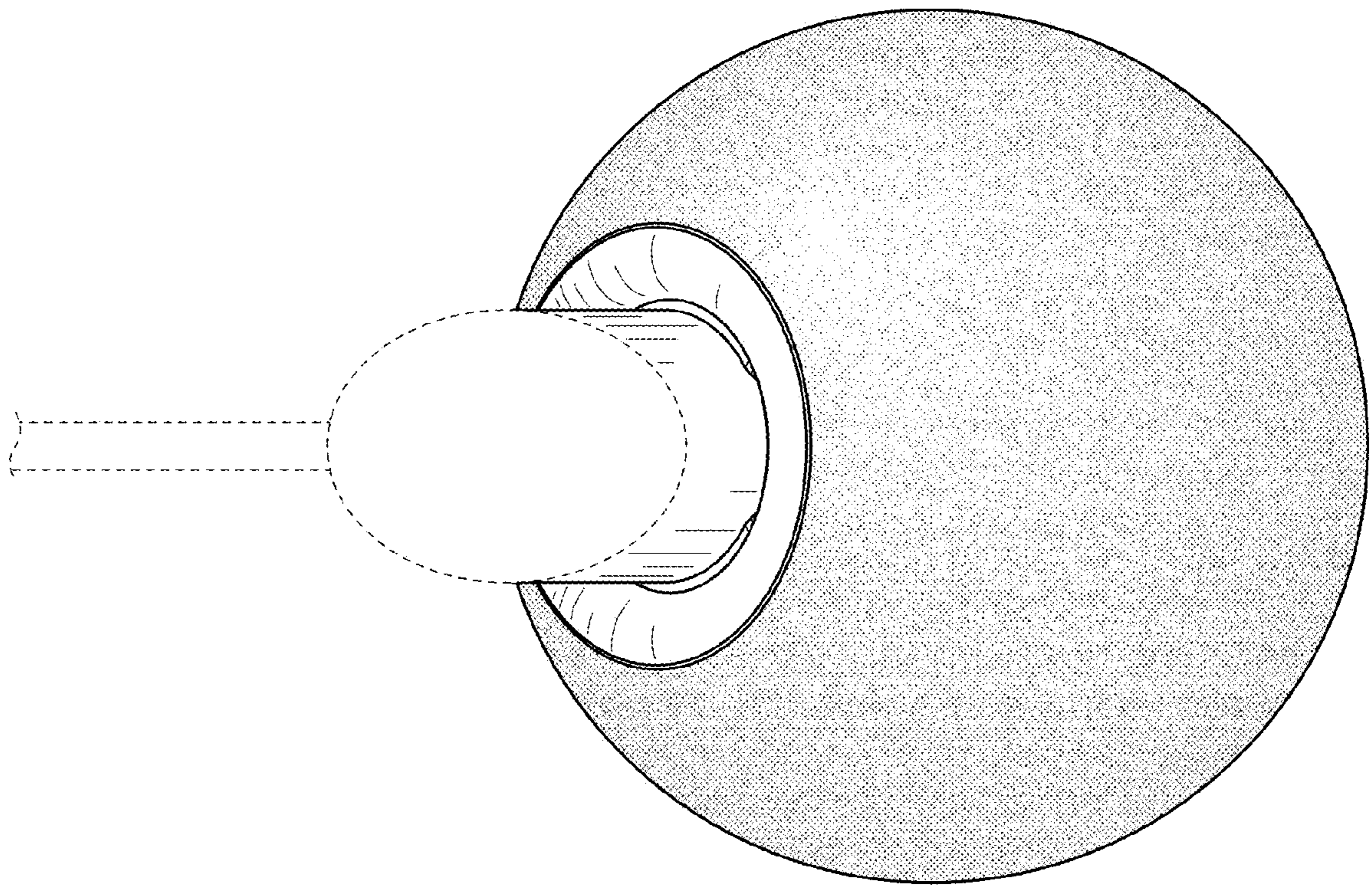


FIG. 7