

US00D947812S

(12) **United States Design Patent**
Dai

(10) **Patent No.:** **US D947,812 S**

(45) **Date of Patent:** **** Apr. 5, 2022**

(54) **WIRELESS EARPHONE**

(71) Applicant: **SHENZHENSHI ANNSO TECHNOLOGY CO., LTD**, Shenzhen (CN)

(72) Inventor: **Chunlai Dai**, Shenzhen (CN)

(**) Term: **15 Years**

(21) Appl. No.: **29/780,774**

(22) Filed: **Apr. 26, 2021**

(51) **LOC (13) Cl.** **14-01**

(52) **U.S. Cl.**

USPC **D14/206**; D14/226

(58) **Field of Classification Search**

USPC D14/206, 226, 205; D24/174; 128/864, 128/865, 866; 381/380, 381, 104; 455/90.3, 575.1, 569.1

CPC H04R 25/00; H04R 25/02; H04R 1/10; H04R 1/105; H04R 1/1066; H04R 1/1016; H04R 5/033; H04R 5/0335; H04R 19/04; H04R 1/1083; H04R 1/08; H04R 1/1091

See application file for complete search history.

(56) **References Cited**

U.S. PATENT DOCUMENTS

- 4,617,431 A * 10/1986 Scott H04M 1/05 181/20
- 4,757,546 A * 7/1988 Akino H04R 1/342 381/357
- 6,101,260 A * 8/2000 Jensen H04M 1/05 379/430
- D490,398 S * 5/2004 Gwee D14/205
- 6,771,790 B2 * 8/2004 Liu H04M 1/05 381/375
- D512,984 S * 12/2005 Ham D14/205
- 7,020,300 B1 * 3/2006 Villaverde H04R 1/1058 381/374
- D518,473 S * 4/2006 Gwee D14/205

- D521,492 S * 5/2006 Ham D14/205
- 7,106,873 B1 * 9/2006 Harrison A61N 1/36038 381/330
- 7,155,023 B2 * 12/2006 Dittli H04R 25/00 381/330
- 7,372,973 B2 * 5/2008 Meier H04R 25/654 381/330
- D593,076 S 5/2009 Kung et al.
- D612,834 S * 3/2010 Yang D14/206
- D617,316 S * 6/2010 Elabidi D14/223
- 7,778,410 B2 * 8/2010 Liu H04M 1/05 379/430
- D647,877 S * 11/2011 Son D14/206

(Continued)

FOREIGN PATENT DOCUMENTS

- CN 305135882 * 4/2019
- CN 305148038 * 5/2019

(Continued)

Primary Examiner — Paula Allen Greene

(74) *Attorney, Agent, or Firm* — W&KIP

(57) **CLAIM**

The ornamental design for a wireless earphone, as shown and described.

DESCRIPTION

FIG. 1 is a front view of a wireless earphone showing my new design;

FIG. 2 is a back view thereof;

FIG. 3 is a left side view thereof;

FIG. 4 is a right side view thereof;

FIG. 5 is a top plan view thereof;

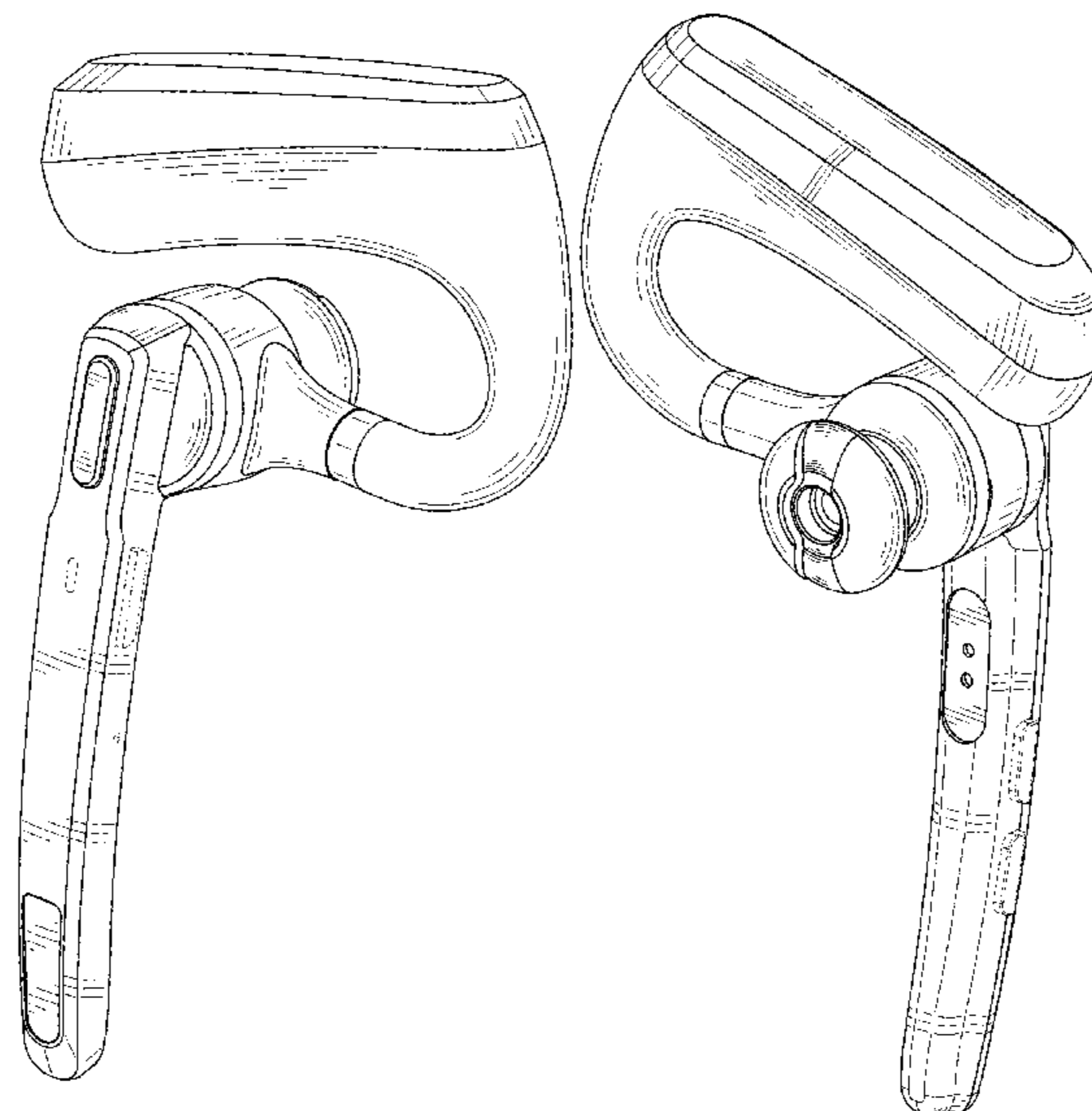
FIG. 6 is a bottom plan view thereof.

FIG. 7 is a perspective view thereof; and,

FIG. 8 is another perspective view thereof.

The broken lines shown in the drawings depict portions of the wireless earphone in which the design is embodied that form no part of the claimed design.

1 Claim, 8 Drawing Sheets



(56)

References Cited

U.S. PATENT DOCUMENTS

8,061,473 B1 * 11/2011 Kerr H04R 1/1016
 181/135
 D653,649 S * 2/2012 Yang D14/206
 D657,347 S * 4/2012 Chung D14/206
 D670,267 S * 11/2012 Maddern D14/206
 D681,002 S * 4/2013 Ham D14/205
 D681,003 S * 4/2013 Ham D14/206
 D681,014 S * 4/2013 Ham D14/223
 RE44,672 E * 12/2013 Yang D14/223
 RE45,056 E * 8/2014 Yang D14/206
 D717,767 S * 11/2014 Mistry D14/206
 D717,771 S * 11/2014 Harper D14/223
 D726,147 S * 4/2015 Tran D14/206
 D739,388 S * 9/2015 Paterson D14/225
 D748,602 S 2/2016 Henning
 D750,043 S * 2/2016 Birger D14/206
 9,307,311 B2 * 4/2016 Tran H04R 1/1066
 D762,623 S * 8/2016 Gondo D14/223
 D784,290 S * 4/2017 Paterson D14/205
 D784,291 S * 4/2017 Paterson D14/206
 D789,331 S * 6/2017 Paterson D14/225
 D797,076 S * 9/2017 Zhang D14/206
 D804,035 S * 11/2017 Gabathuler D24/174
 D812,040 S * 3/2018 Yan D14/206
 D813,849 S * 3/2018 Andreen D14/223
 D814,444 S * 4/2018 Liu D14/223
 D828,327 S * 9/2018 Birger D14/206
 D830,337 S * 10/2018 Yan D14/206
 D830,338 S * 10/2018 Yan D14/206
 D830,339 S * 10/2018 Yan D14/206
 D836,599 S * 12/2018 Duan D14/206
 D838,688 S * 1/2019 Liu D14/206

D850,408 S * 6/2019 Kawabata D14/206
 D851,065 S * 6/2019 Yan D14/206
 D855,036 S * 7/2019 Yan D14/206
 D863,254 S * 10/2019 Hu D14/206
 D872,707 S * 1/2020 Liu D14/206
 D879,068 S * 3/2020 Yan D14/206
 D883,951 S * 5/2020 Yan D14/206
 D903,635 S * 12/2020 Liu D14/206
 D913,263 S * 3/2021 Yang D14/206
 D915,347 S * 4/2021 Duan D14/206
 D916,049 S * 4/2021 Xu D14/206
 D924,201 S * 7/2021 Yan D14/206
 D926,152 S * 7/2021 Yan D14/206
 D926,153 S * 7/2021 Yan D14/206
 2015/0237434 A1 * 8/2015 Tran H04R 1/1008
 381/380
 2016/0181718 A1 * 6/2016 Kann H01R 13/447
 381/91
 2017/0339498 A1 * 11/2017 Vandyke H04R 25/604
 2018/0343525 A1 * 11/2018 Karlsen H04R 25/65
 2021/0337318 A1 * 10/2021 Jarng H04R 25/02

FOREIGN PATENT DOCUMENTS

CN 306011354 * 8/2020
 CN 306182131 * 11/2020
 CN 306248948 * 12/2020
 CN 306824683 * 9/2021
 CN 307041709 * 12/2021
 GB 9006599627-0001 * 6/2019
 GB 9007984893-0002 * 6/2020
 GB 6158267 * 9/2021
 JP D1679001 * 1/2021

* cited by examiner

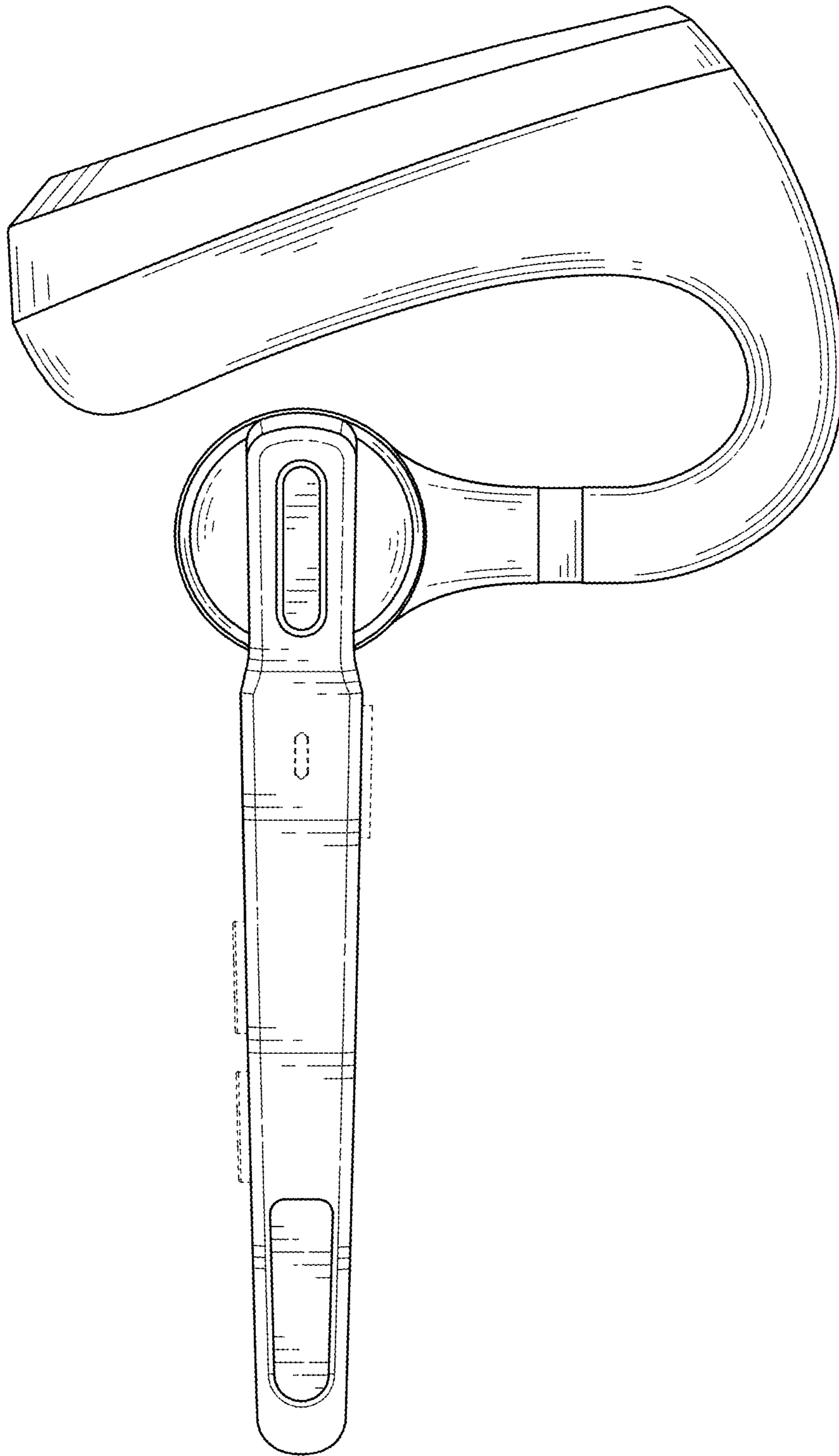


FIG. 1

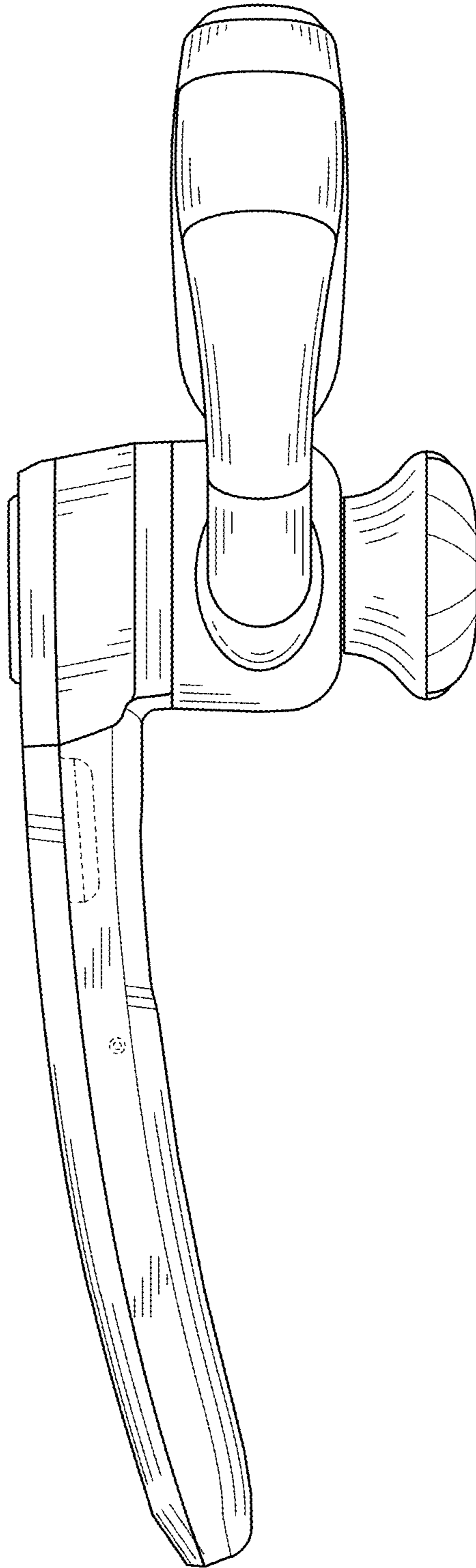


FIG. 2

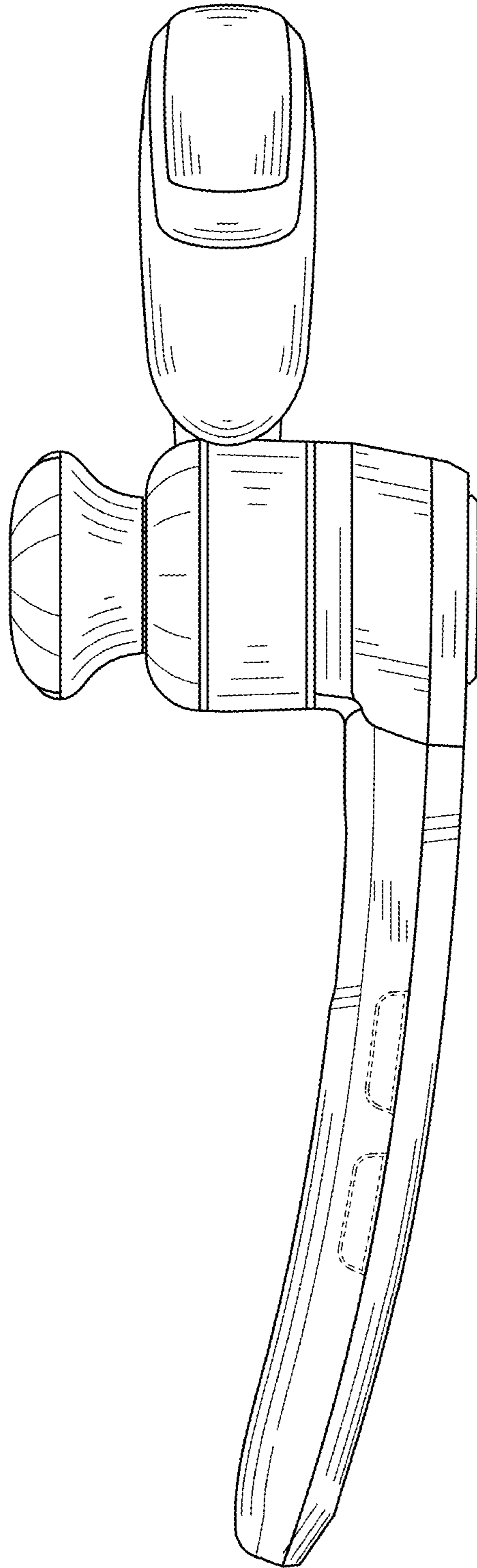


FIG. 3

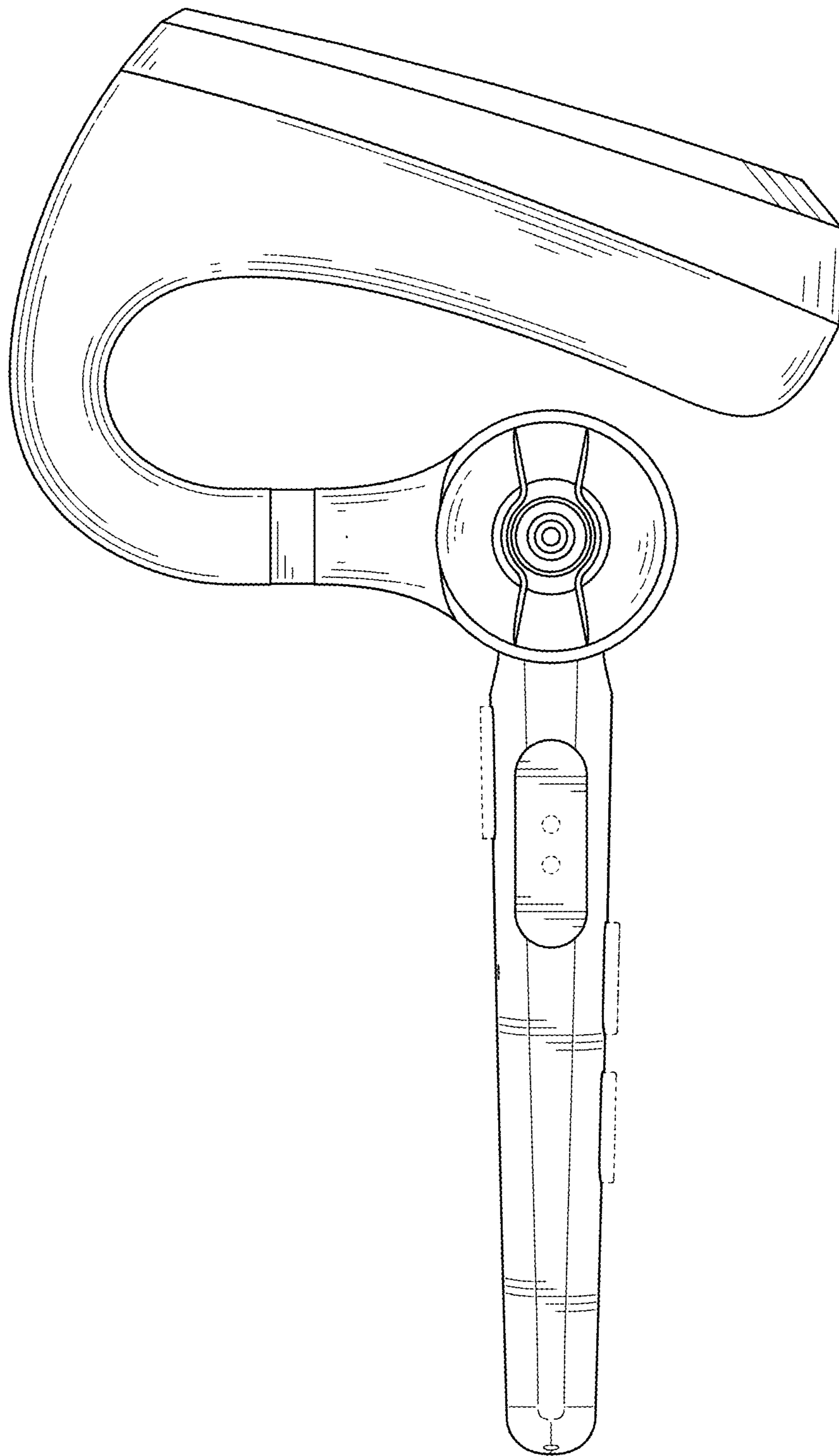


FIG. 4

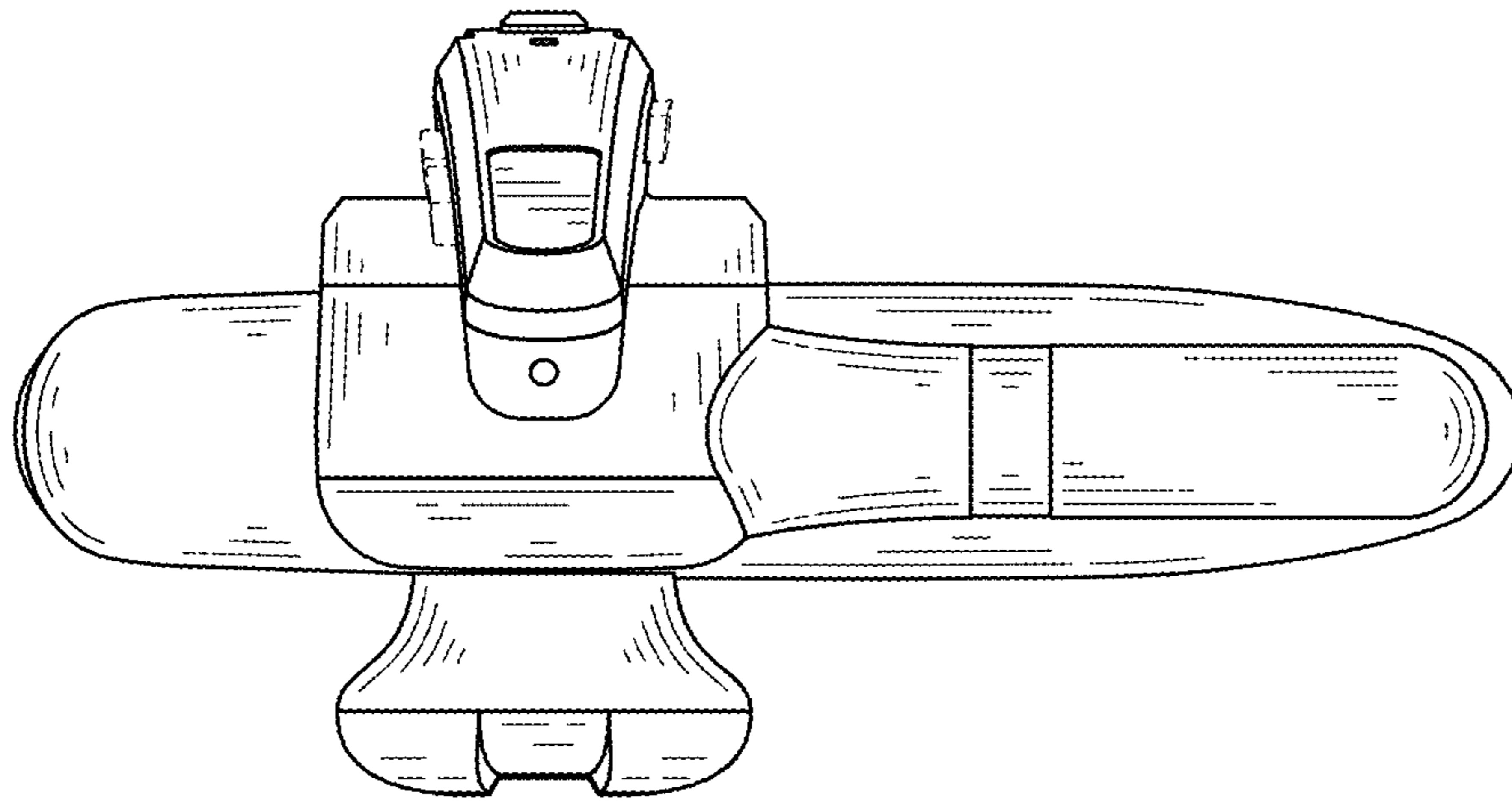


FIG. 5

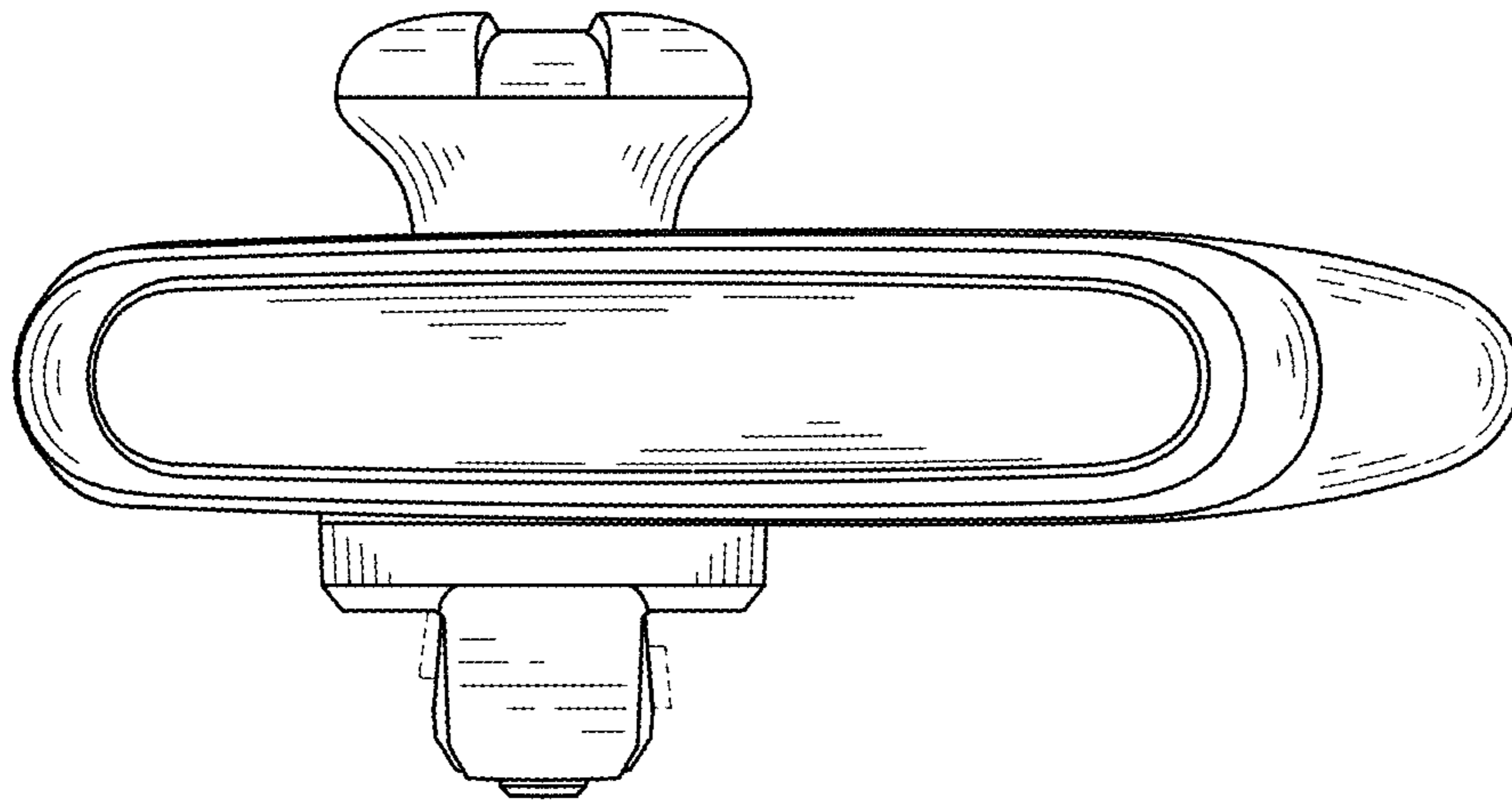


FIG. 6

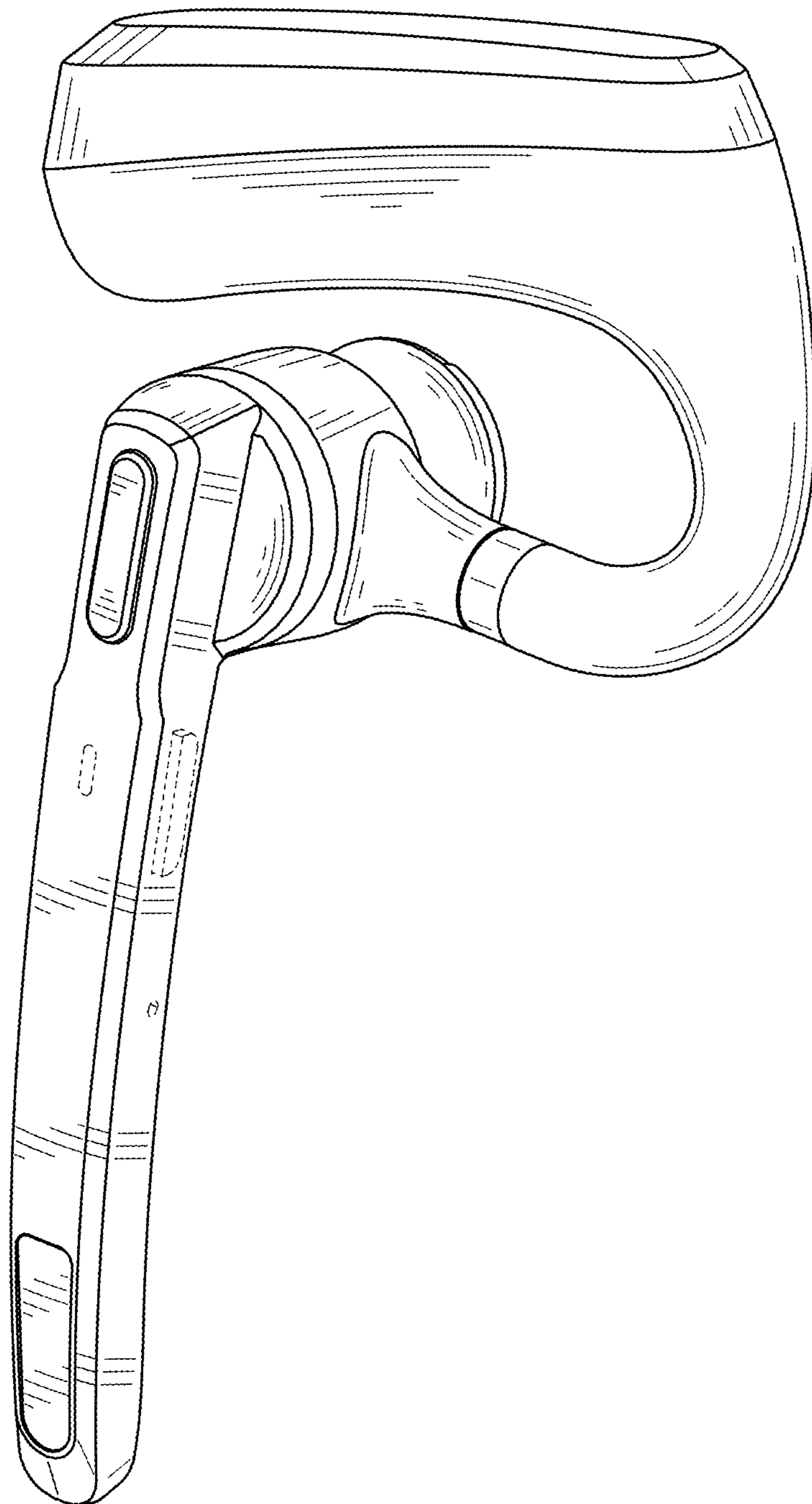


FIG. 7

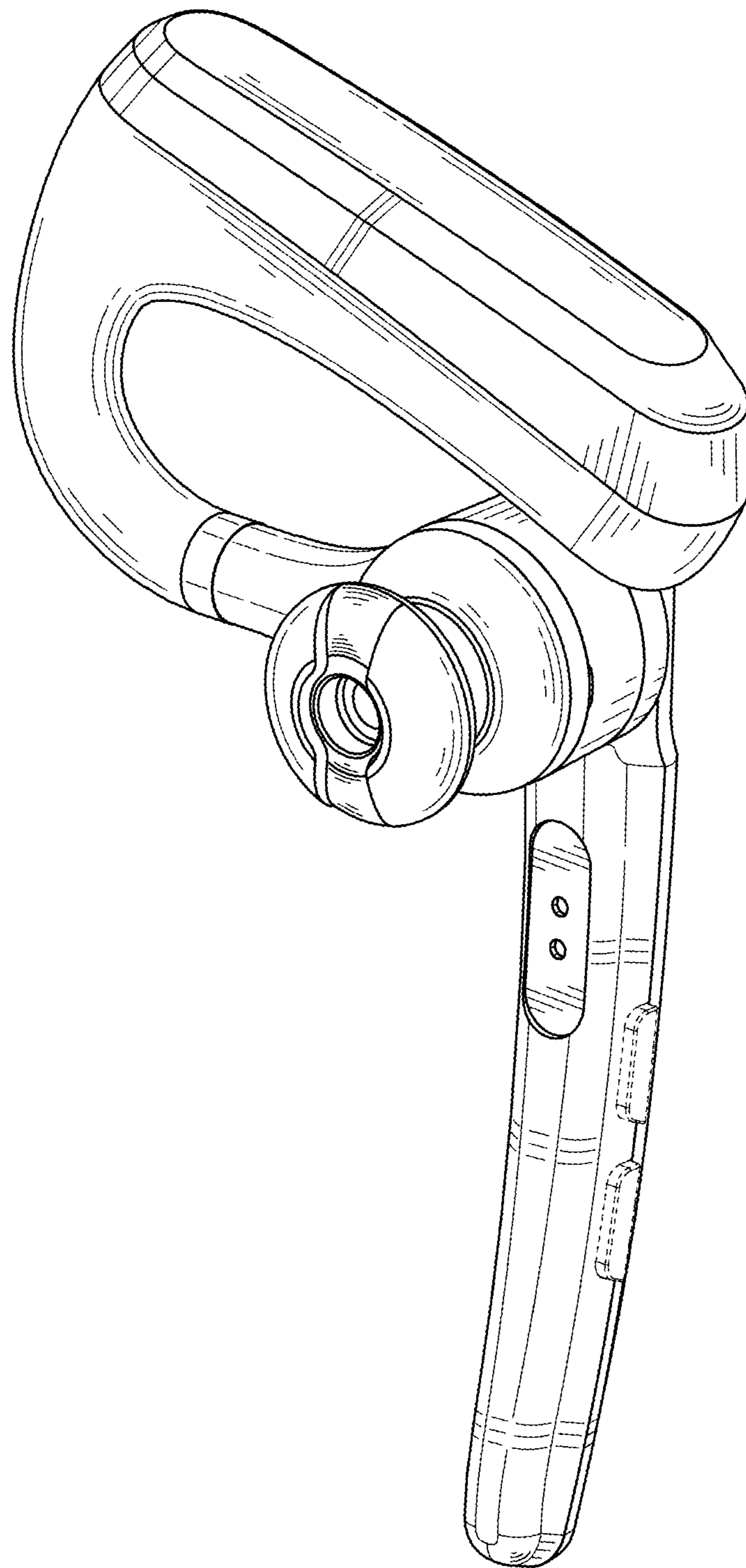


FIG. 8