



US00D947809S

(12) **United States Design Patent**  
**He et al.**

(10) **Patent No.:** **US D947,809 S**

(45) **Date of Patent:** **\*\* Apr. 5, 2022**

(54) **KIDS WIRELESS HEADPHONES**

(71) Applicant: **SHENZHEN THOUSANDSHORES TECHNOLOGY CO., LTD.**, Shenzhen (CN)

(72) Inventors: **Ding He**, Shenzhen (CN); **Zhi Liu**, Shenzhen (CN); **Jinying Zhao**, Shenzhen (CN); **Hailong Zhou**, Shenzhen (CN)

(\*\*) Term: **15 Years**

(21) Appl. No.: **29/761,744**

(22) Filed: **Dec. 11, 2020**

(51) **LOC (13) Cl.** ..... **14-01**

(52) **U.S. Cl.**  
USPC ..... **D14/205**

(58) **Field of Classification Search**  
USPC ..... D14/205, 188, 192; D29/112; 2/209; 362/105; 381/380, 381, 370, 74; 455/90.3, 575.1, 569.1  
CPC ..... F21V 21/084; F21V 33/00; H04R 1/1066; H04R 1/1016; H04R 5/033; H04R 5/0335; H04R 1/008; H04R 25/00; H04R 25/02; H04R 1/1091

See application file for complete search history.

(56) **References Cited**

**U.S. PATENT DOCUMENTS**

- 3,488,457 A \* 1/1970 Lahti ..... H04R 1/1008 381/371
- D223,256 S \* 4/1972 Thomson ..... D14/205
- 4,409,442 A \* 10/1983 Kamimura ..... H04R 5/0335 381/370
- D272,904 S \* 3/1984 Kawano ..... D14/205
- 4,829,571 A \* 5/1989 Kakiuchi ..... H04R 5/04 381/309
- 5,951,141 A \* 9/1999 Bradley ..... F21V 21/084 362/105

- D431,550 S \* 10/2000 Yoneda ..... D14/205
- D484,485 S \* 12/2003 Matsuoka ..... D14/205
- D491,163 S \* 6/2004 Green ..... D14/205
- 6,918,678 B2 \* 7/2005 McClanahan ..... F21V 33/0052 362/105
- D520,492 S \* 5/2006 Chen ..... D14/205
- D531,165 S \* 10/2006 Rath ..... D14/206
- D534,155 S \* 12/2006 Obata ..... D14/205
- D541,255 S \* 4/2007 Taylor ..... D14/205
- D589,492 S \* 3/2009 Mistry ..... D14/205
- D600,674 S \* 9/2009 Brennwald ..... D14/205
- D657,344 S \* 4/2012 Brunner ..... D14/205
- D662,490 S \* 6/2012 McSweyn ..... D14/205
- D663,716 S \* 7/2012 Hardi ..... D14/205
- D672,744 S \* 12/2012 Scarpa ..... D14/205

(Continued)

**FOREIGN PATENT DOCUMENTS**

- EM 008319362-0001 \* 12/2020
- EM 008591523-0001 \* 6/2021

(Continued)

*Primary Examiner* — Paula Allen Greene

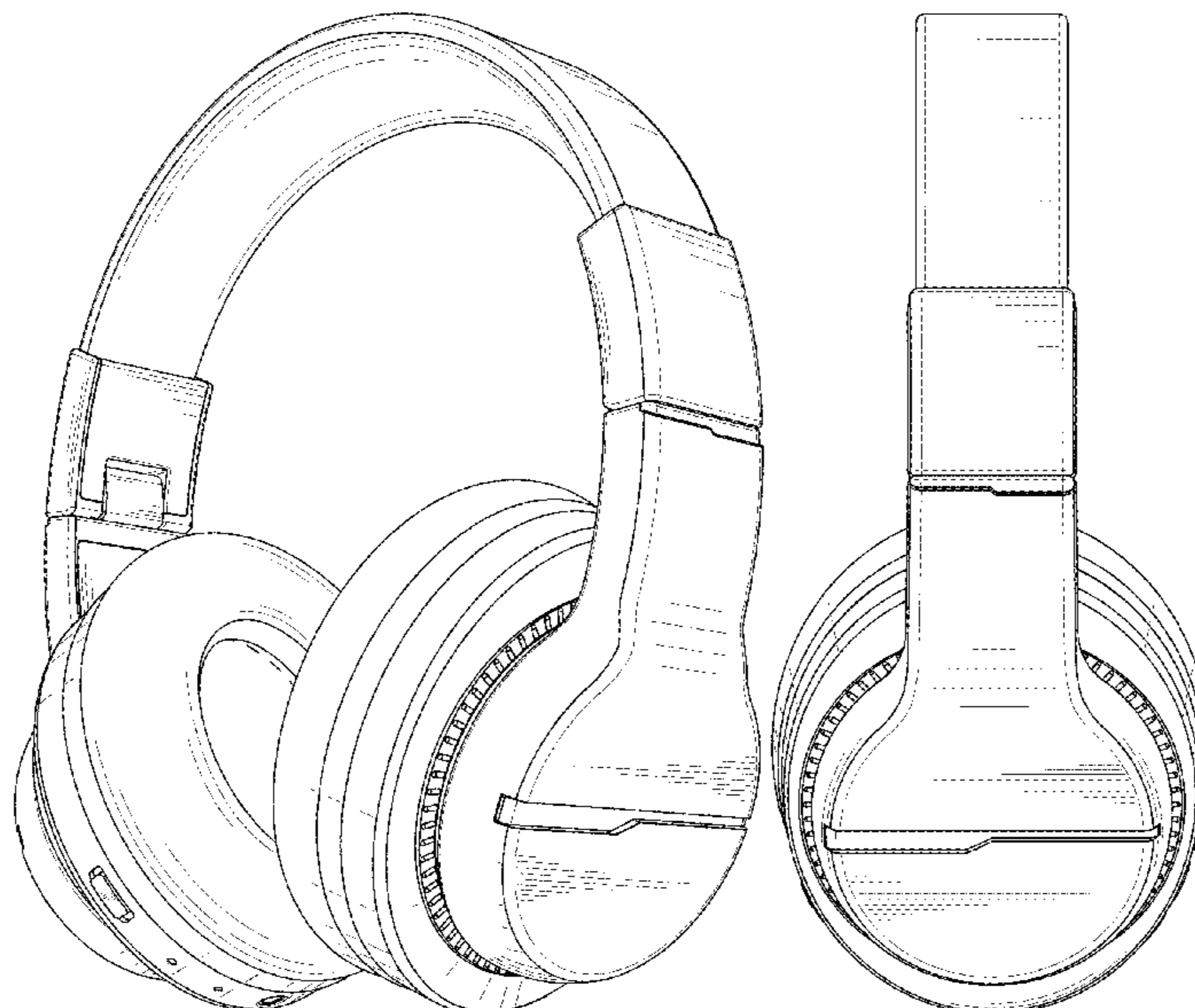
(57) **CLAIM**

The ornamental design for a kids wireless headphones, as shown and described.

**DESCRIPTION**

FIG. 1 is a perspective view of a kids wireless headphones showing my new design;  
 FIG. 2 is a front view thereof;  
 FIG. 3 is a rear view thereof;  
 FIG. 4 is a left side view thereof;  
 FIG. 5 is a right side view thereof;  
 FIG. 6 is a top plan view thereof; and,  
 FIG. 7 is a bottom plan view thereof.  
 The broken lines in the figures illustrate portions of the kids wireless headphones that form no part of the claimed design.

**1 Claim, 6 Drawing Sheets**



(56)

References Cited

U.S. PATENT DOCUMENTS

D673,136 S \* 12/2012 Kelly ..... D14/205  
 D689,464 S \* 9/2013 Bonahoom ..... D14/206  
 D691,111 S \* 10/2013 Lee ..... D14/206  
 D720,721 S \* 1/2015 Lu ..... D14/205  
 D723,509 S \* 3/2015 Garland ..... D14/205  
 D725,636 S \* 3/2015 McNamara ..... D14/223  
 D739,843 S \* 9/2015 Daniel ..... D14/205  
 D769,219 S \* 10/2016 Ohmachi ..... D14/205  
 D811,364 S \* 2/2018 Park ..... D14/205  
 D845,927 S \* 4/2019 Wang ..... D14/206  
 D852,776 S \* 7/2019 Zhu ..... D14/205  
 D858,483 S \* 9/2019 Hu ..... D14/205  
 D870,698 S \* 12/2019 Long ..... D14/206  
 D871,367 S \* 12/2019 Zhijun ..... D14/205  
 D876,392 S \* 2/2020 Zhou ..... D14/206  
 D886,078 S \* 6/2020 He ..... D14/206  
 D888,008 S \* 6/2020 Yook ..... D14/205  
 D890,131 S \* 7/2020 Shen ..... D14/206  
 D893,452 S \* 8/2020 Yook ..... D14/205

D894,867 S \* 9/2020 Choe ..... D14/205  
 D894,869 S \* 9/2020 Tang ..... D14/206  
 D904,339 S \* 12/2020 Wang ..... D14/205  
 D914,637 S \* 3/2021 Shen ..... D14/206  
 D916,681 S \* 4/2021 He ..... D14/205  
 D929,364 S \* 8/2021 Futo ..... D14/205  
 D931,831 S \* 9/2021 Liu ..... D14/206  
 D935,441 S \* 11/2021 Liu ..... D14/206  
 2008/0226114 A1\* 9/2008 Thompson ..... H04R 1/1016  
 381/380  
 2018/0058681 A1\* 3/2018 Arave ..... F21V 21/084  
 2019/0189106 A1\* 6/2019 Hull ..... H04R 1/1008  
 2019/0379962 A1\* 12/2019 Navid ..... H04R 1/38  
 2020/0288234 A1\* 9/2020 Fletcher ..... H04R 1/1008

FOREIGN PATENT DOCUMENTS

EM 008634927-0001 \* 7/2021  
 EM 008731046-0001 \* 10/2021  
 GB 6109991 \* 12/2020

\* cited by examiner



FIG. 1





FIG. 2



FIG. 3

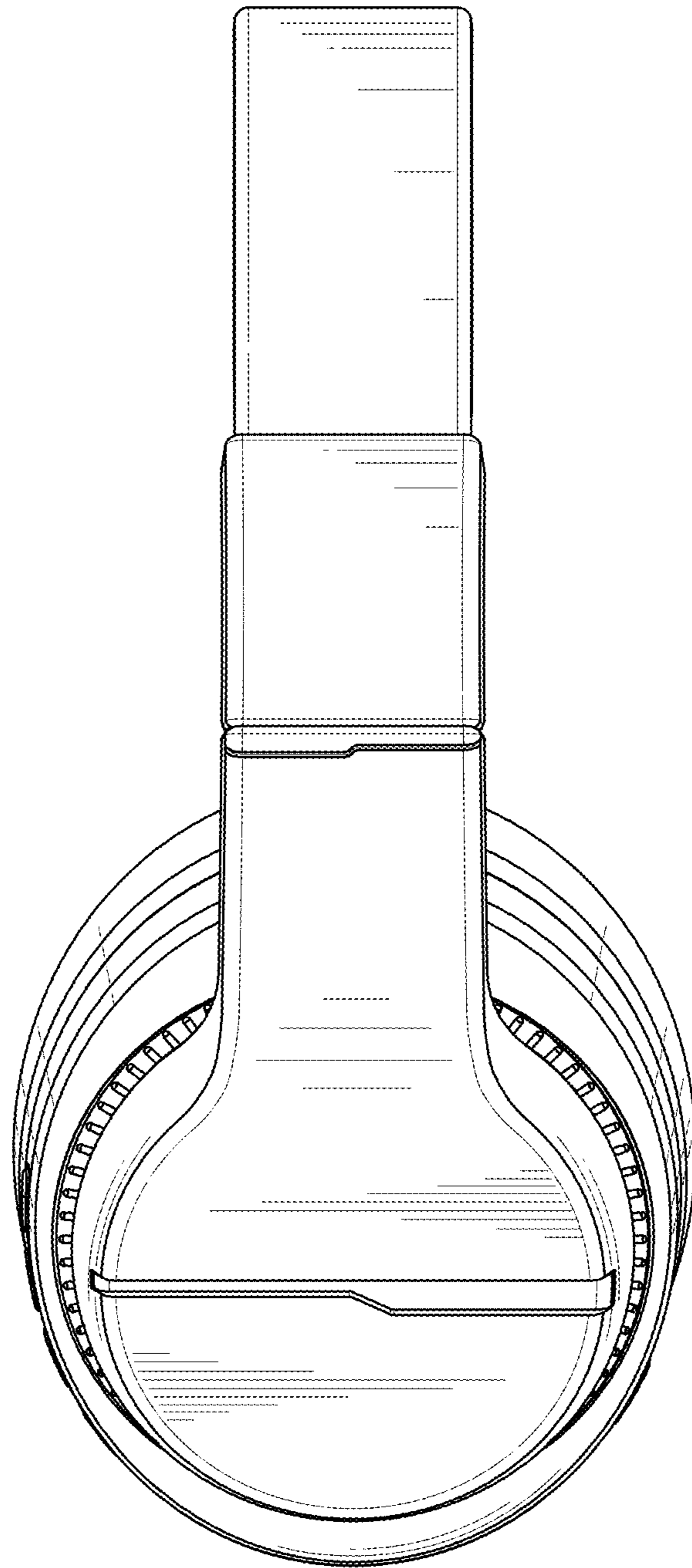


FIG. 4

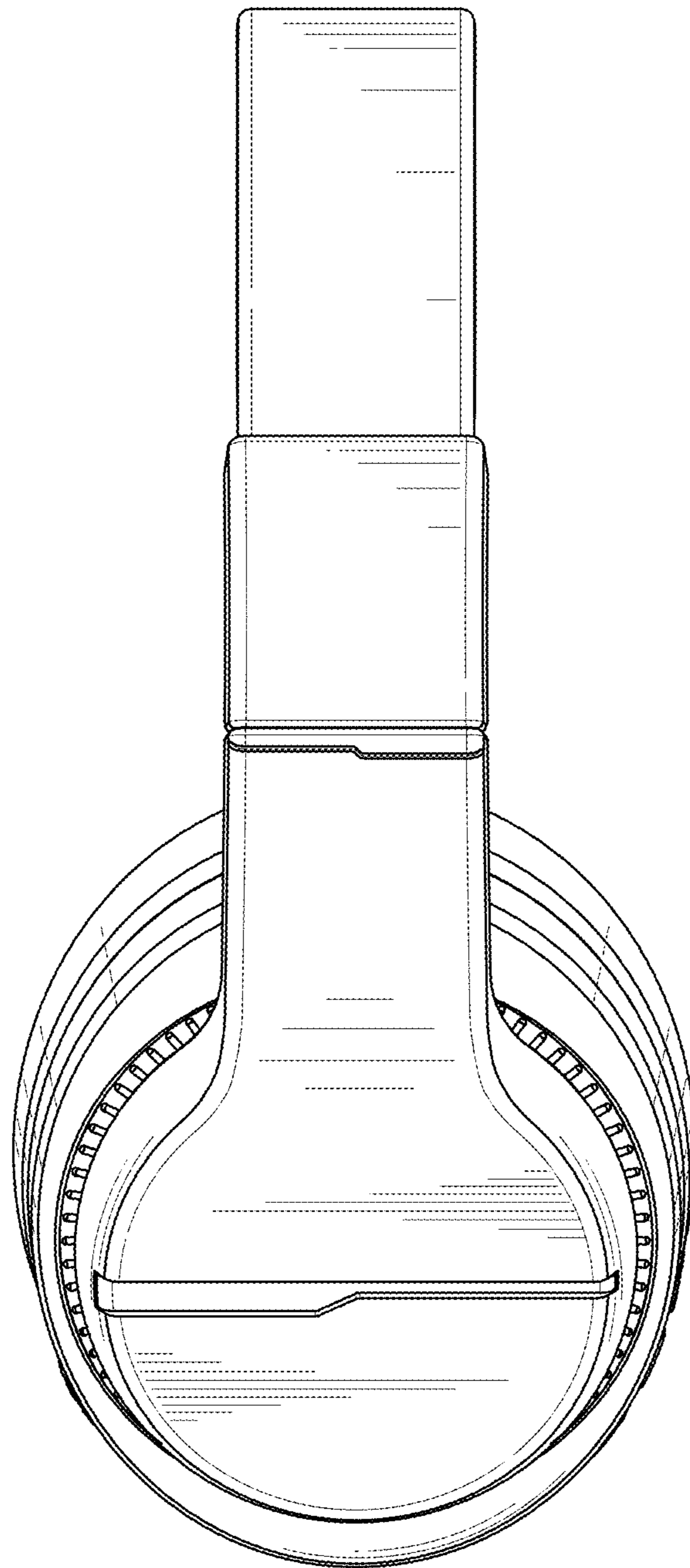


FIG. 5



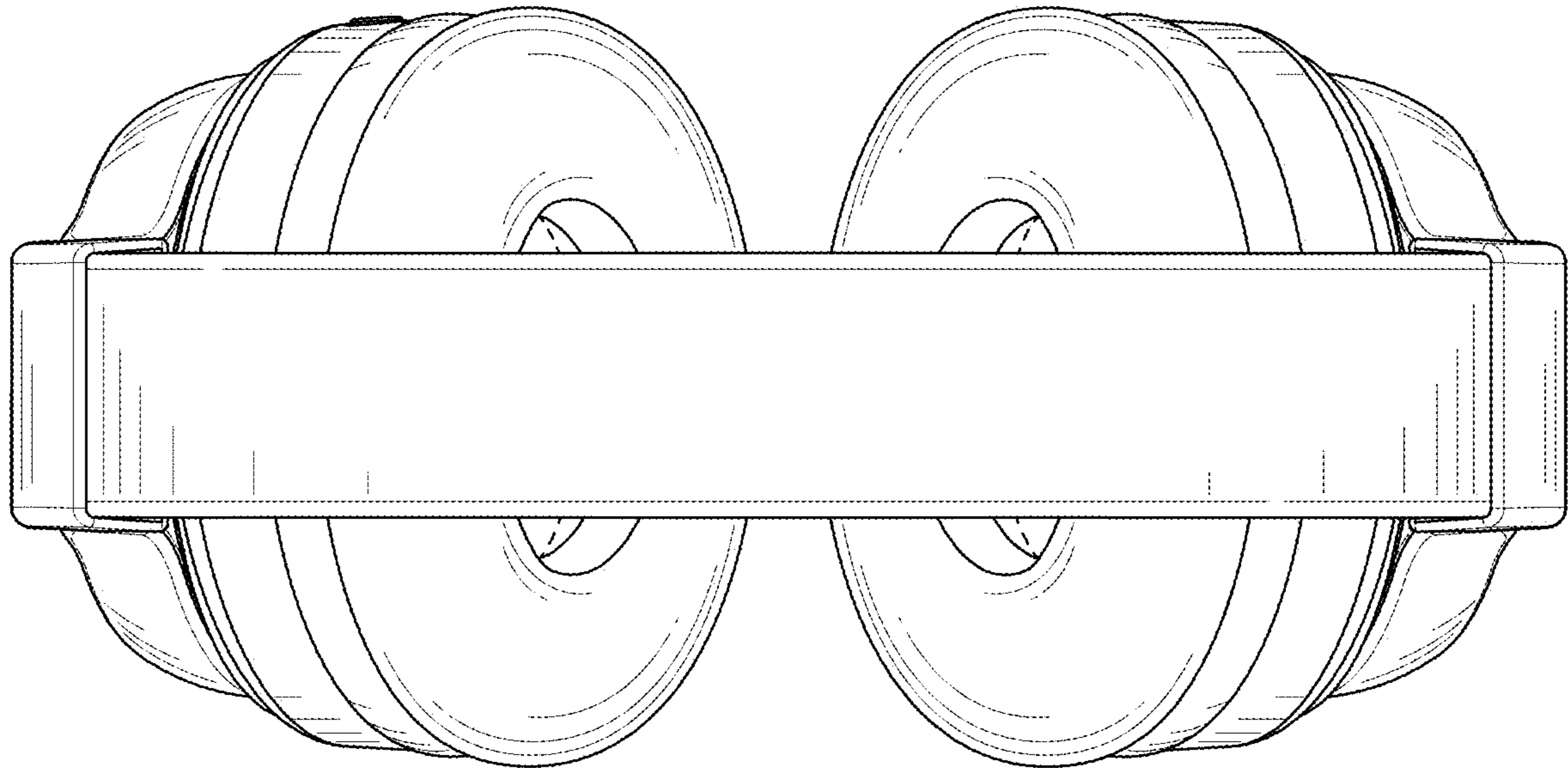


FIG. 6

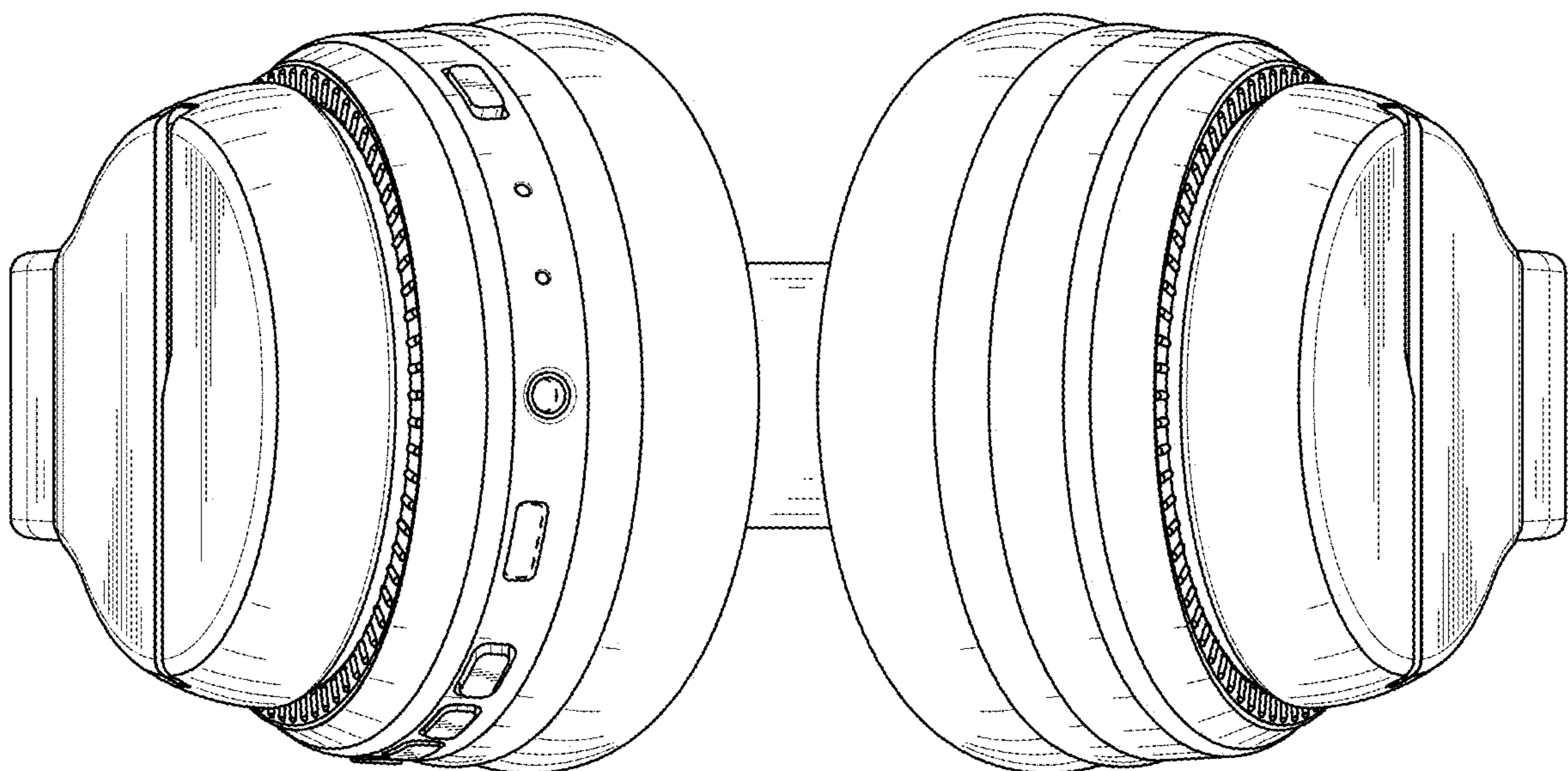


FIG. 7