



US00D947807S

(12) **United States Design Patent**
Kaplan et al.

(10) **Patent No.:** **US D947,807 S**

(45) **Date of Patent:** **** Apr. 5, 2022**

- (54) **PAIR OF SPEAKER PODS FOR VEHICLES**
- (71) Applicant: **SSV WORKS, INC.**, Oxnard, CA (US)
- (72) Inventors: **Trevor Kaplan**, Newbury Park, CA (US); **Eleuterio Lopez**, Oxnard, CA (US); **Jesse Vandiver**, Ojai, CA (US)
- (73) Assignee: **SSV WORKS, INC.**, Oxnard, CA (US)
- (**) Term: **15 Years**
- (21) Appl. No.: **29/719,334**
- (22) Filed: **Jan. 2, 2020**
- (51) **LOC (13) Cl.** **14-01**
- (52) **U.S. Cl.**
USPC **D14/204**
- (58) **Field of Classification Search**
USPC D14/204, 170–172, 188, 207, 496, 216, D14/214, 209–215, 217, 219, 221, 222, D14/224, 208, 194–196, 209.1; D12/195, D12/190, 192, 196
CPC H04R 1/02; H04R 1/023; H04R 1/021; H04R 1/026; H04R 1/028; H04R 1/403; H04R 1/2803; H04R 1/025; H04R 1/323; H04R 1/2834; H04R 5/02; H04R 9/06; H04R 2201/021; H04R 2400/00; H04R 2400/11; H04R 2499/11; B60R 11/0217; G06F 1/1688; G10K 9/22; H04S 3/00; H04S 7/30
See application file for complete search history.

- 4,905,860 A * 3/1990 Kurihara B60R 11/0217 220/675
- 4,917,212 A * 4/1990 Iwaya B60R 11/0217 181/141
- 5,979,590 A * 11/1999 Telmos H04R 1/025 181/141
- 6,226,927 B1 * 5/2001 Bertolini B60R 11/0217 181/150
- D448,334 S * 9/2001 Williams D12/195
- 6,614,913 B1 * 9/2003 Allen H04R 1/025 181/150
- D763,824 S * 8/2016 Kaplan D14/215
- D796,479 S * 9/2017 Kaplan D14/207
- D808,925 S * 1/2018 Kaplan D14/215
- D872,708 S * 1/2020 Kirkland D14/214

* cited by examiner

Primary Examiner — Ramzi Almatrahi

(74) *Attorney, Agent, or Firm* — Ferguson Case Orr Paterson

(57) **CLAIM**

The ornamental design for a pair of speaker pods for vehicles, as shown and described.

DESCRIPTION

FIG. 1 is a top, front and right side perspective view of a pair of speaker pods for vehicles shown with one speaker for ease of illustration;

FIG. 2 is a front elevation view thereof;

FIG. 3 is rear elevation view thereof;

FIG. 4 is left elevation view thereof;

FIG. 5 is right elevation view thereof;

FIG. 6 is top plan view thereof;

FIG. 7 is bottom plan view thereof; and,

FIG. 8 is a top, front and right side perspective view of the pair of speaker pods for vehicles, the pair of speaker pods having a mirror symmetrical appearance.

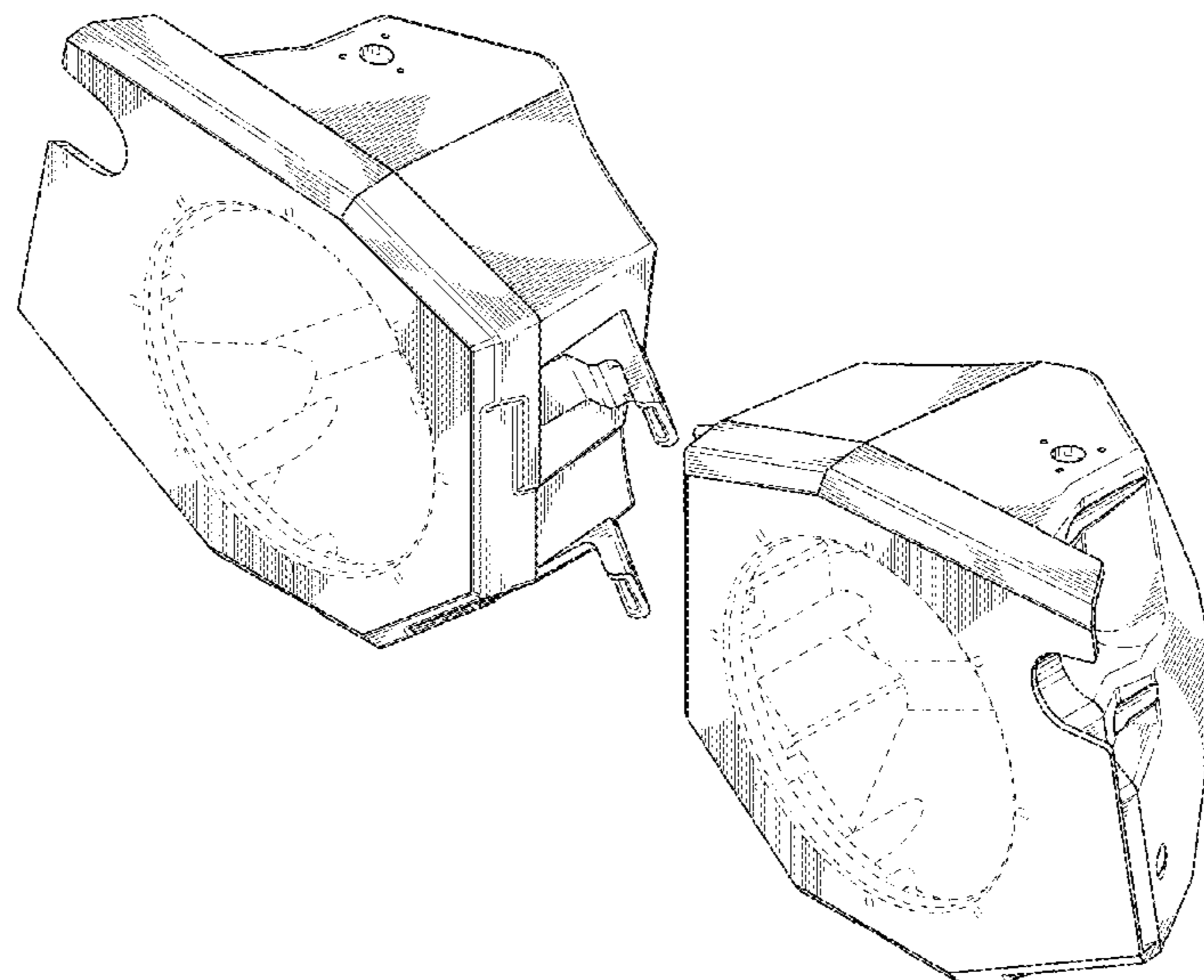
The broken lines in the drawings are included to show portions of the article that form no part of the claimed design.

1 Claim, 7 Drawing Sheets

(56) **References Cited**

U.S. PATENT DOCUMENTS

- 4,005,761 A * 2/1977 Okamoto H04R 1/025 181/141
- D250,711 S * 1/1979 Persson D12/412
- 4,597,470 A * 7/1986 Takagi B60R 11/0217 181/141



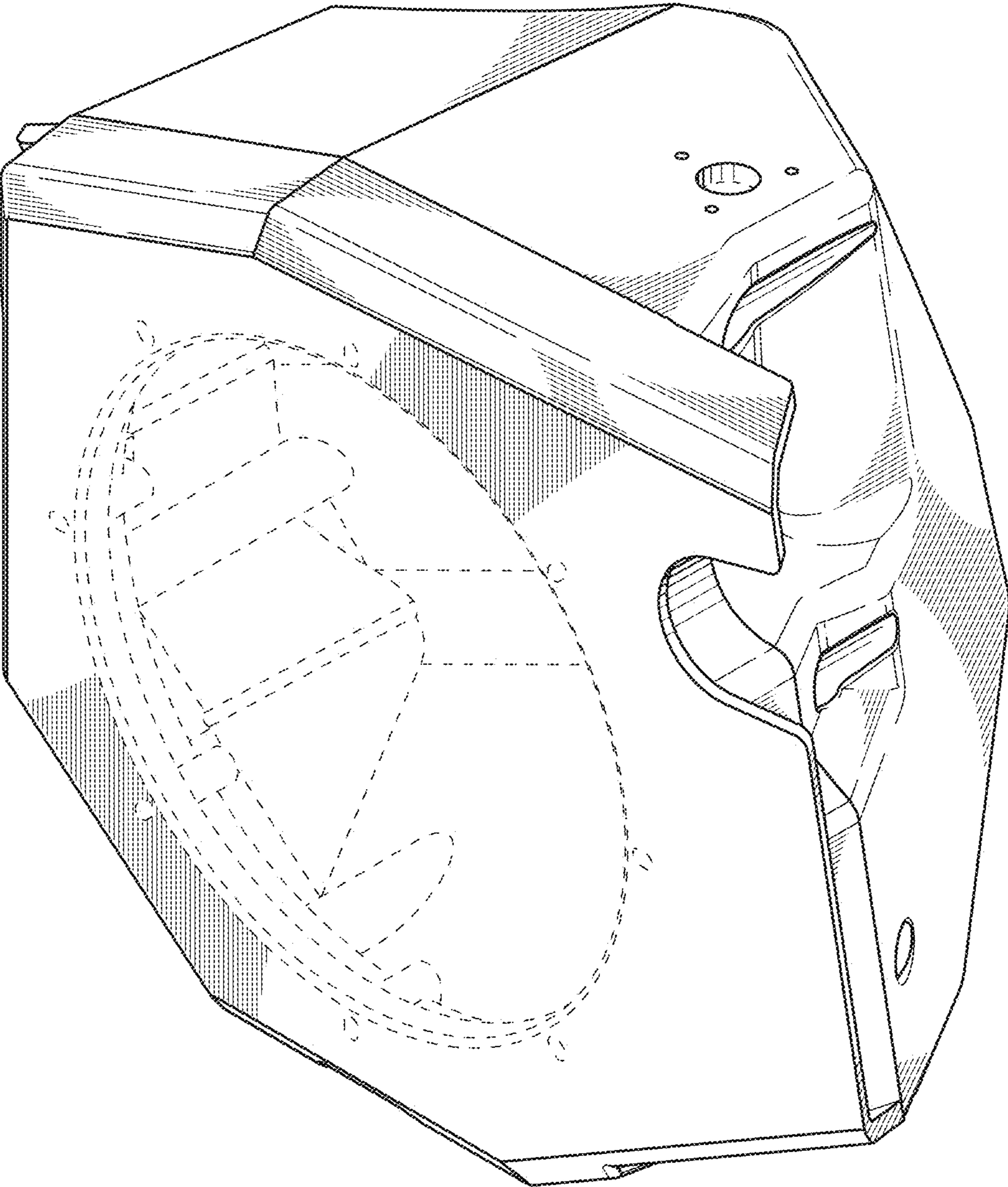


FIG. 1

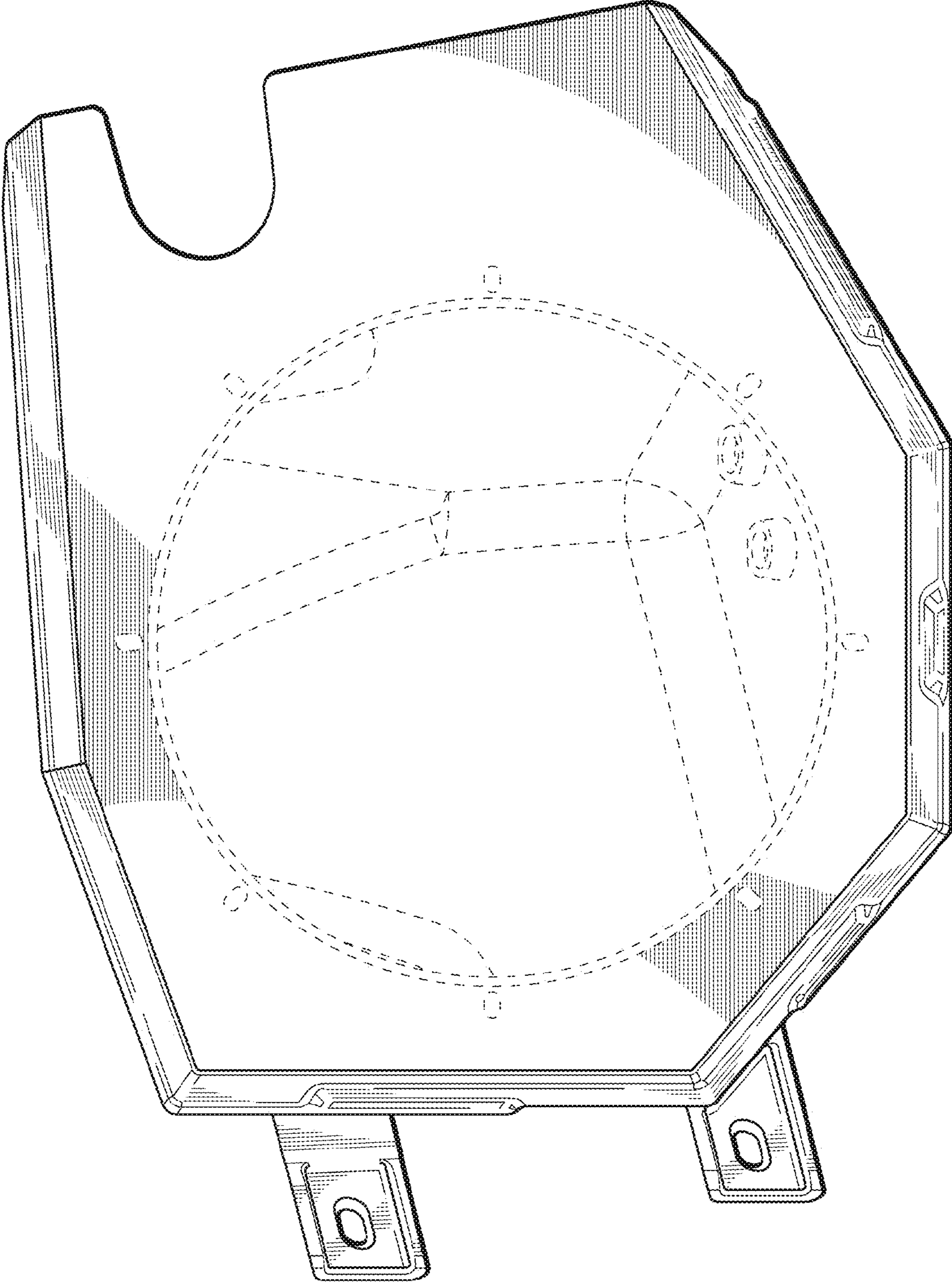


FIG. 2

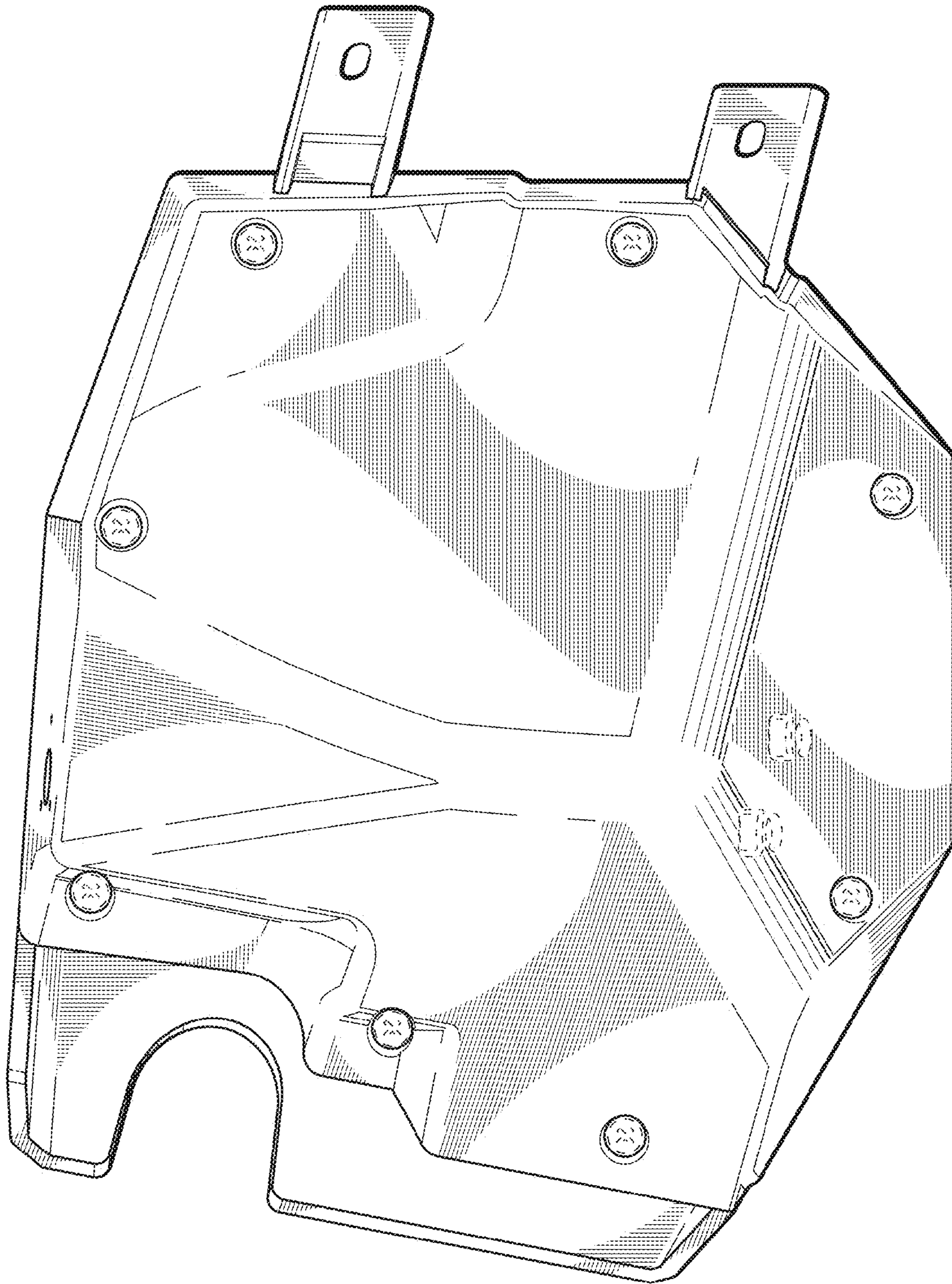


FIG. 3

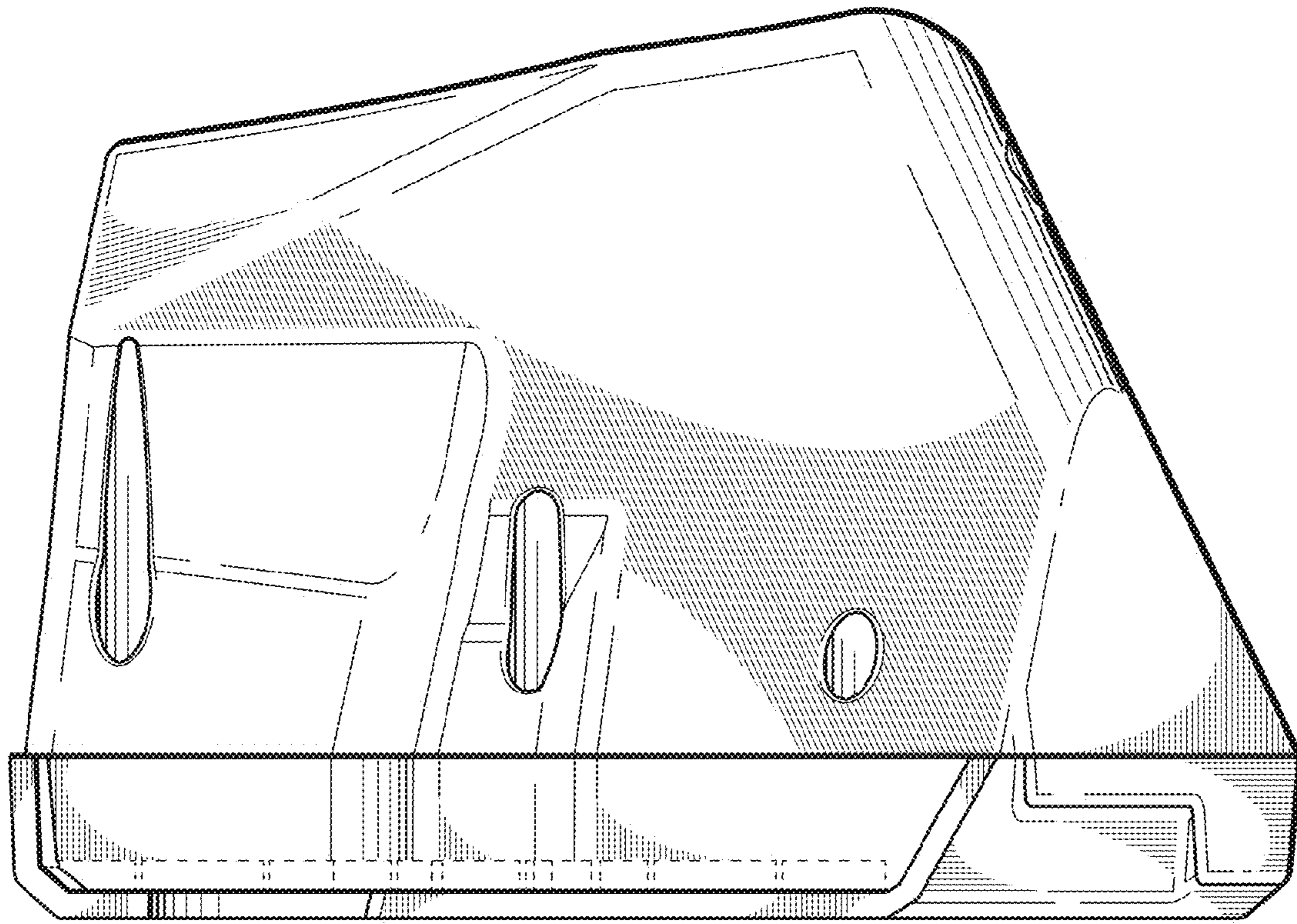


FIG. 5

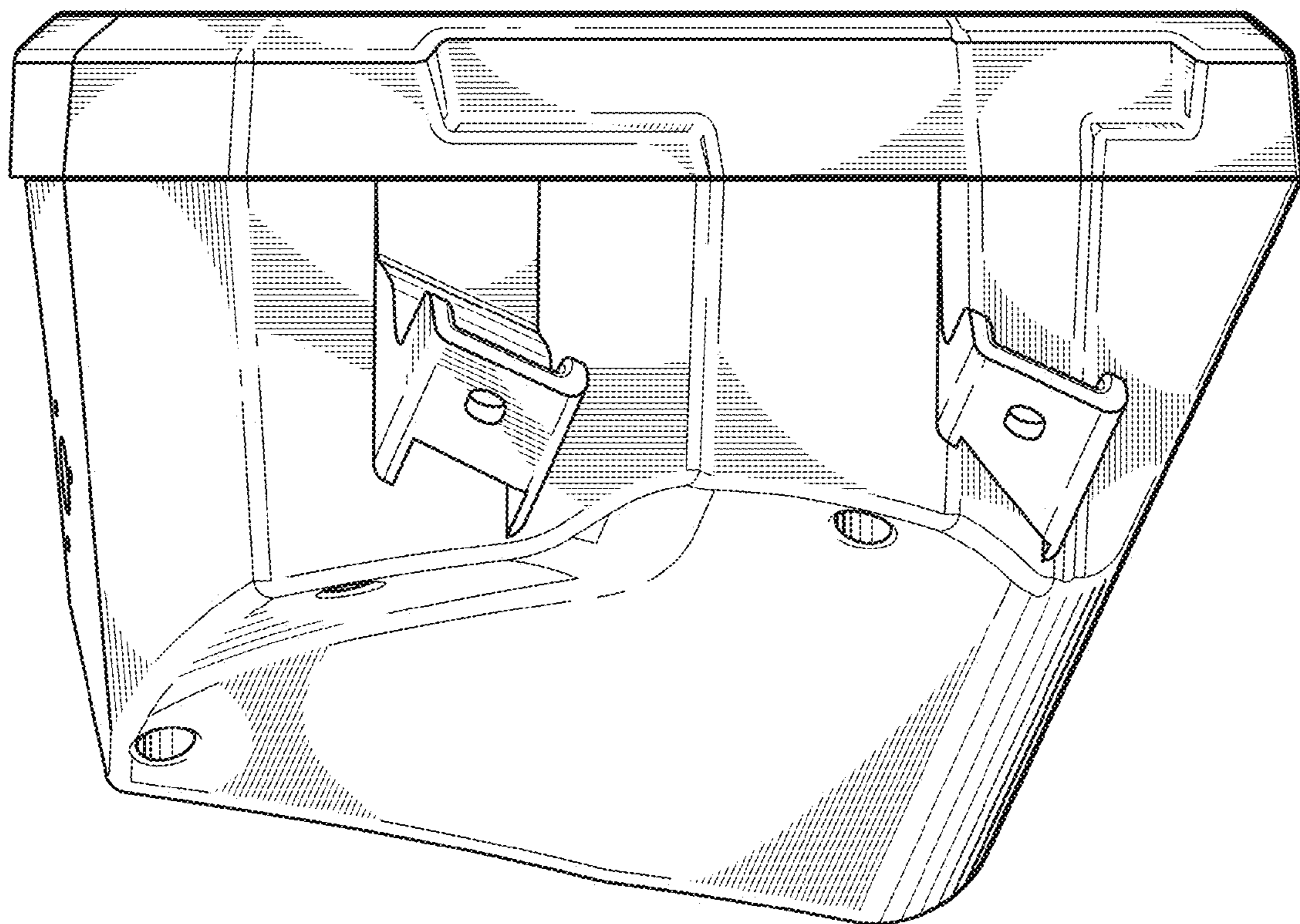


FIG. 4

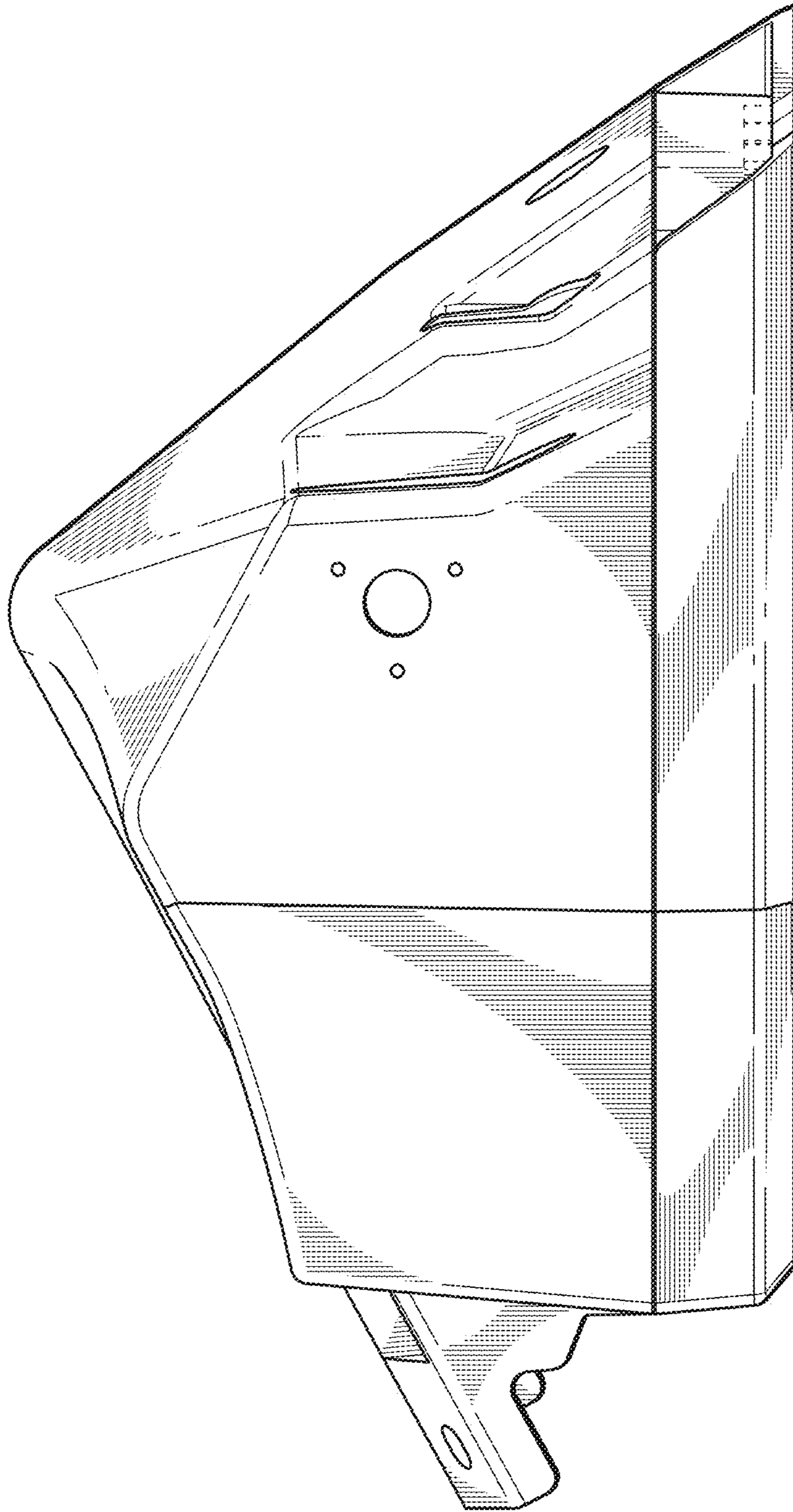


FIG. 6

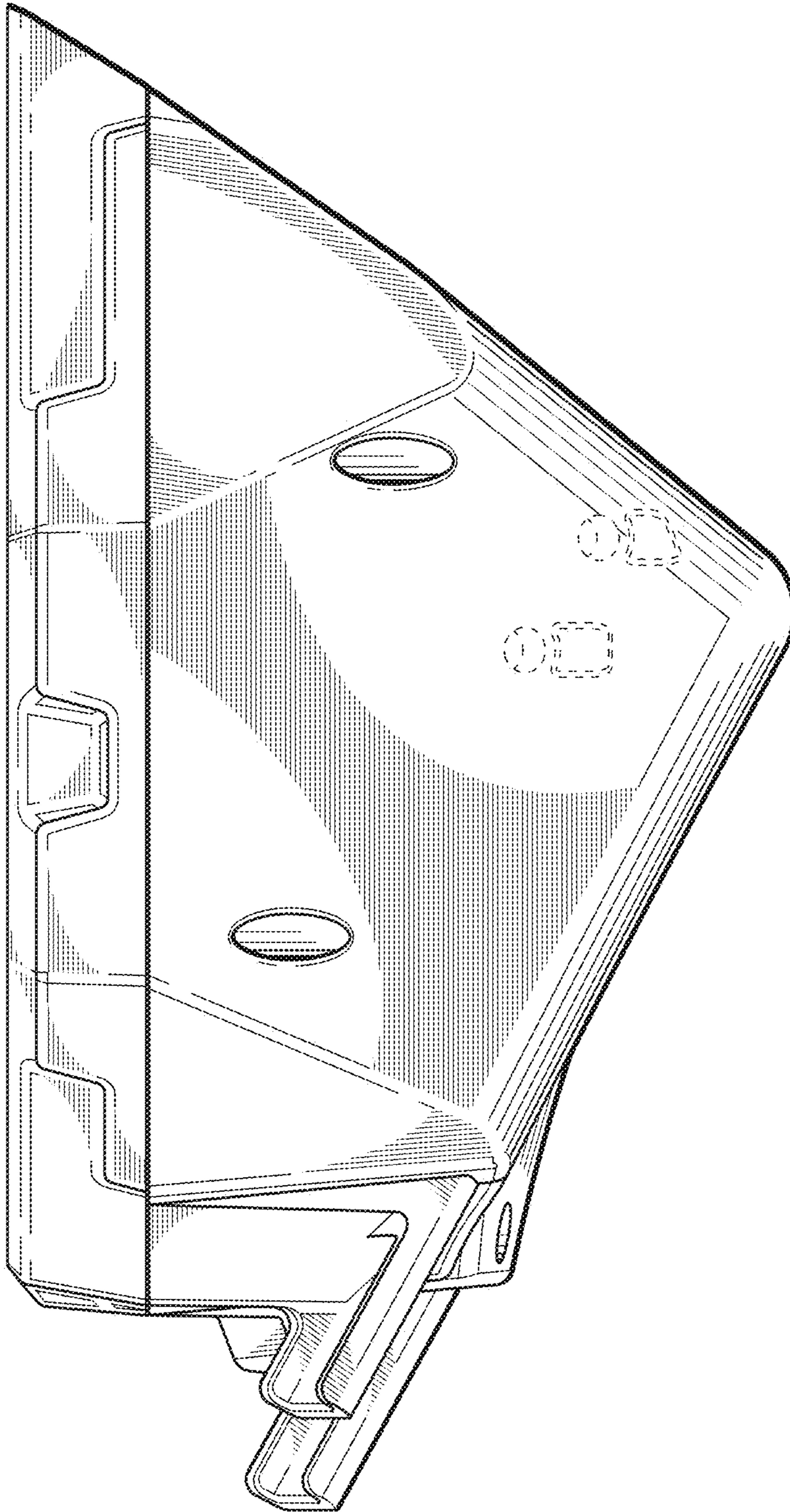


FIG. 7

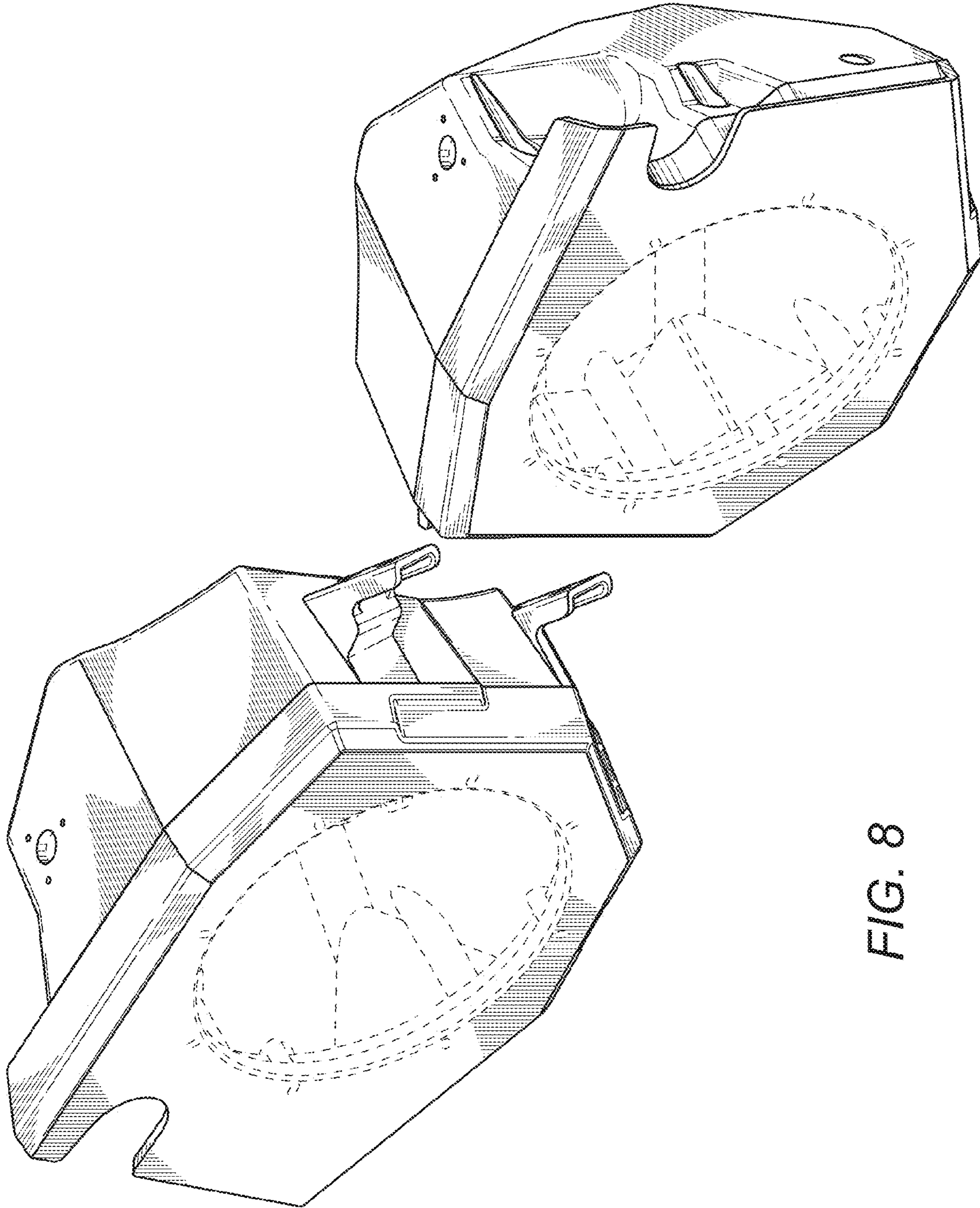


FIG. 8