



US00D947803S

(12) **United States Design Patent**
Liu et al.

(10) **Patent No.:** **US D947,803 S**
(45) **Date of Patent:** **** Apr. 5, 2022**

(54) **HANDHELD TRANSCEIVER**

D560,188 S * 1/2008 Lee D14/138 AD
D564,998 S * 3/2008 Tran D14/137
D646,978 S * 10/2011 Horowitz D9/541

(71) Applicant: **CHONGQING FICUU TECHNOLOGY CO., LTD.**,
Chongqing (CN)

(Continued)

FOREIGN PATENT DOCUMENTS

(72) Inventors: **Keyang Liu**, Chongqing (CN); **Kok Yong Chan**, Chongqing (CN)

CN 305402181 * 10/2019
CN 305402182 * 10/2019

(73) Assignee: **CHONGQING FICUU TECHNOLOGY CO., LTD.**,
Chongqing (CN)

OTHER PUBLICATIONS

(**) Term: **15 Years**

GOCOM G200 Family Radio Service (FRS) Walkie Talkies, first available on amazon.com Aug. 29, 2019, [online], [site visited Sep. 15, 2021]. Internet URL: <https://www.amazon.com/dp/B07X47KQ6M?tag=amateurradiowiki-20&linkCode=ogi&th=1&psc=1> (Year: 2019).*

(21) Appl. No.: **29/682,671**

(Continued)

(22) Filed: **Mar. 7, 2019**

Primary Examiner — Jeffrey D Asch

(30) **Foreign Application Priority Data**

Dec. 24, 2018 (CN) 201830751149.2

(51) **LOC (13) Cl.** **14-03**

(52) **U.S. Cl.**
USPC **D14/137**

(58) **Field of Classification Search**
USPC D14/137, 138 AA, 147, 148, 218, 155,
D14/159, 142, 225, 226, 191, 203.3,
D14/203.7, 203.1, 203.5, 188, 192,
D14/194-198, 214, 219, 221, 172;
D21/517, 566, 324, 329, 331; D10/104.1,
D10/104.2, 106.1, 65, 78; D13/168;
D30/199

CPC H04B 1/3833; H04B 1/3827; H04B
2001/3861; H04M 1/233; G08B 21/0202

See application file for complete search history.

(56) **References Cited**

U.S. PATENT DOCUMENTS

D295,404 S * 4/1988 Tokiyama D14/137
D482,009 S * 11/2003 Robertson, Jr. D14/137
D529,476 S * 10/2006 Beaseley D14/147

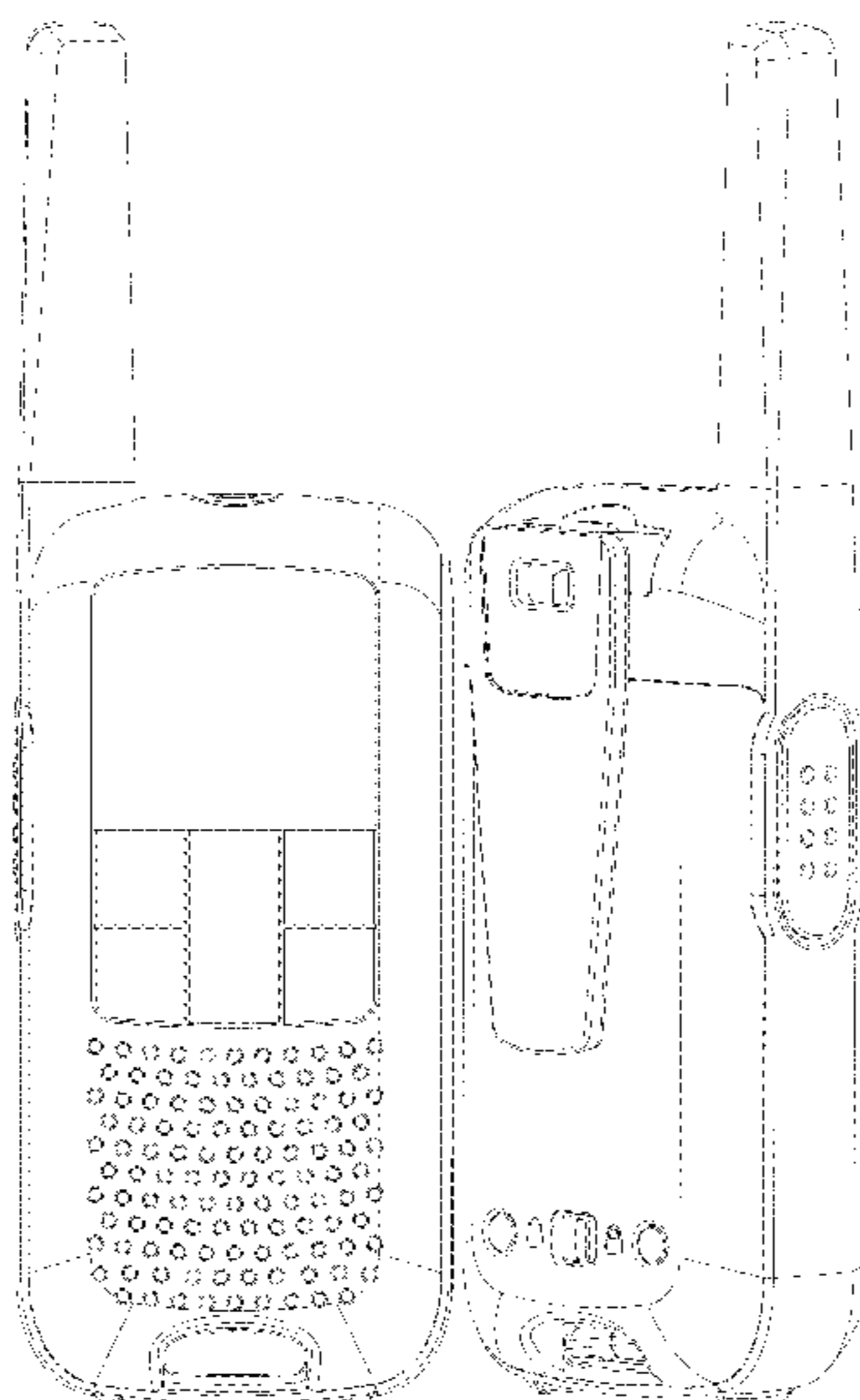
(57) **CLAIM**

The ornamental design for a handheld transceiver, as shown and described.

DESCRIPTION

FIG. 1 is a front elevational view of a handheld transceiver showing our new design;
FIG. 2 is a rear elevational view thereof;
FIG. 3 is a left side view thereof;
FIG. 4 is a right side view thereof;
FIG. 5 is a top plan view thereof;
FIG. 6 is a bottom plan view thereof;
FIG. 7 is a front and left side perspective view thereof;
FIG. 8 is a front and right side perspective view thereof;
FIG. 9 is a rear and right side perspective view thereof;
FIG. 10 is a rear and left side perspective view thereof;
FIG. 11 is a top, front and right side perspective view thereof; and,
FIG. 12 is a bottom, rear and left side perspective view thereof.

1 Claim, 12 Drawing Sheets



(56)

References Cited

U.S. PATENT DOCUMENTS

D677,230 S * 3/2013 Ooi D14/137
 D685,753 S * 7/2013 Kang D14/137
 D700,157 S * 2/2014 Kang D14/137
 D700,158 S * 2/2014 Kang D14/137
 D718,161 S * 11/2014 Derr D10/81
 D751,525 S * 3/2016 Lewis D14/148
 D794,609 S * 8/2017 Meyer D14/218
 D808,833 S * 1/2018 Abbott D10/81
 D831,601 S * 10/2018 Ooi D14/137
 D834,432 S * 11/2018 Wang D10/78
 D851,615 S * 6/2019 Lee D14/137
 D864,138 S * 10/2019 Attwood D14/137
 D879,390 S * 3/2020 Cai D30/199
 D884,995 S * 5/2020 Ni D30/199
 10,651,880 B1 * 5/2020 Lee H04B 1/3888
 D892,757 S * 8/2020 Pang D14/137
 D900,048 S * 10/2020 Huang D14/137
 D914,629 S * 3/2021 Wang D14/137
 D915,319 S * 4/2021 Tschopp D14/137
 D920,270 S * 5/2021 Xiao D14/137
 D924,826 S * 7/2021 Tschopp D14/137
 D925,485 S * 7/2021 Wang D14/137
 D931,246 S * 9/2021 Hong D14/137
 D931,247 S * 9/2021 Zhang D14/137
 D933,036 S * 10/2021 Hong D14/137
 D933,623 S * 10/2021 Liu D14/137
 D937,109 S * 11/2021 Wang D10/78

D940,091 S * 1/2022 Liu D14/137
 2006/0093133 A1 * 5/2006 Park H04M 1/0235
 379/433.12
 2016/0309413 A1 * 10/2016 De Sabatino H04L 29/06442

OTHER PUBLICATIONS

2019G200 walkie talkie External Photos GOCOM Technology, available May 15, 2019, [online], [site visited Sep. 15, 2021]. Internet URL:<https://fccid.io/2ARRE2019G200/External-Photos/External-Photos-4279552> (Year: 2019).*

2019G600 walkie talkie External Photos GOCOM Technology, available May 15, 2019, [online], [site visited Sep. 15, 2021]. Internet URL:<https://fccid.io/2ARRE2019G600/External-Photos/External-Photos-4279559> (Year: 2019).*

Walkie Talkies—GOCOM G600 FRS Two Way Radio, first available on amazon.com Aug. 29, 2019, [online], [site visited Sep. 15, 2021]. Internet URL:https://www.amazon.com/dp/B07X26191X/ref=redir_mobile_desktop?_encoding=UTF8&aaxitk=c616d5b09233c50961aedfedb926bd07&hpa_cr_id=4882085530401&pd_rd_plhdr=t&pd_rd_r=72489e60-32a2-4214-b293-5d85b82e4181&pd_rd_w=GiVLT&pd_rd_wg=q0Oyr&ref_=sbx_be_s_sparkle_mcd_asin_0_img (Year: 2019).*

89FT4928 2-way Radio with GMRS and FRS External Photos Pocket Phone Fcc Filing_word Motorola Solutions, available Mar. 3, 2016, [online], [site visited Sep. 15, 2021]. Internet URL:<https://fccid.io/AZ489FT4928/External-Photos/External-Photos-2917817> (Year: 2016).*

* cited by examiner

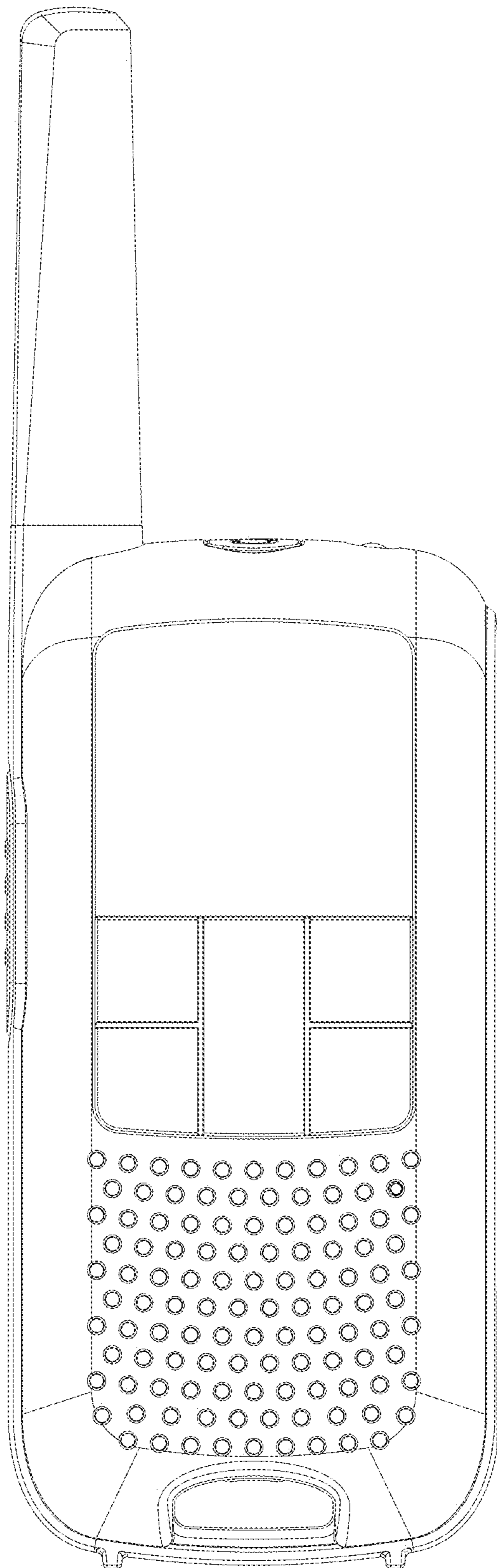


FIG. 1

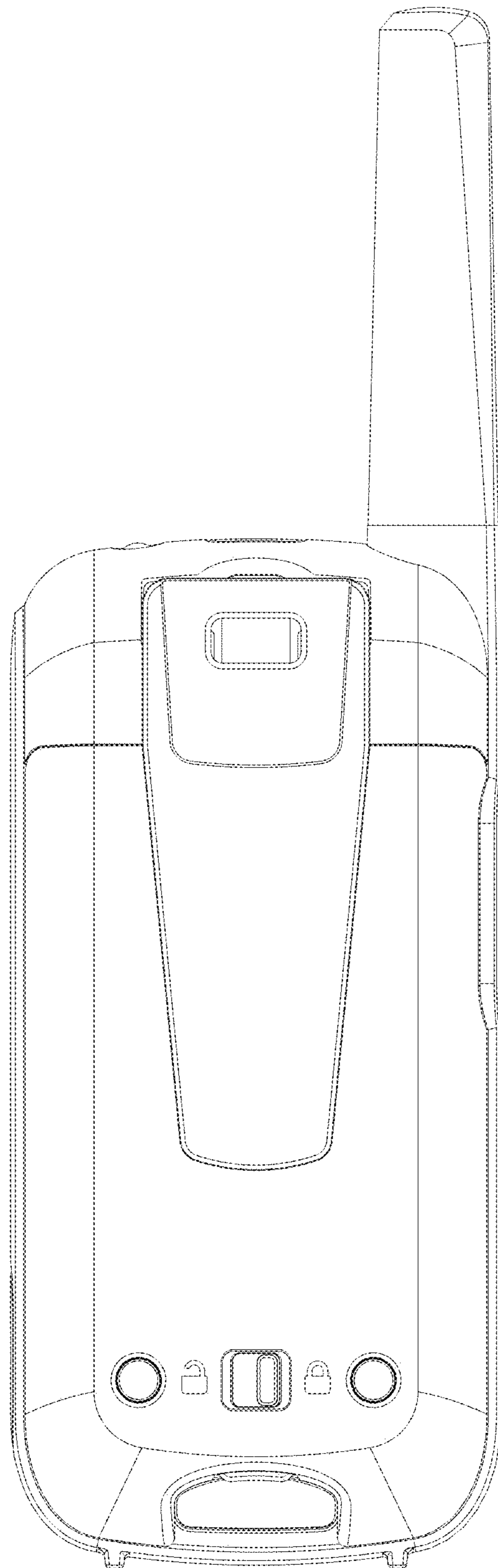


FIG.2

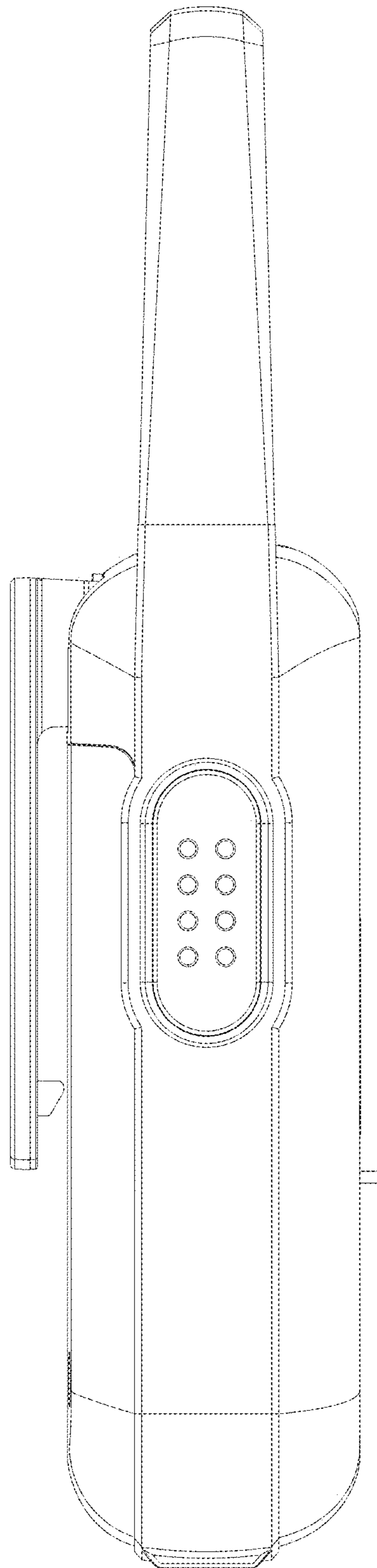


FIG. 3

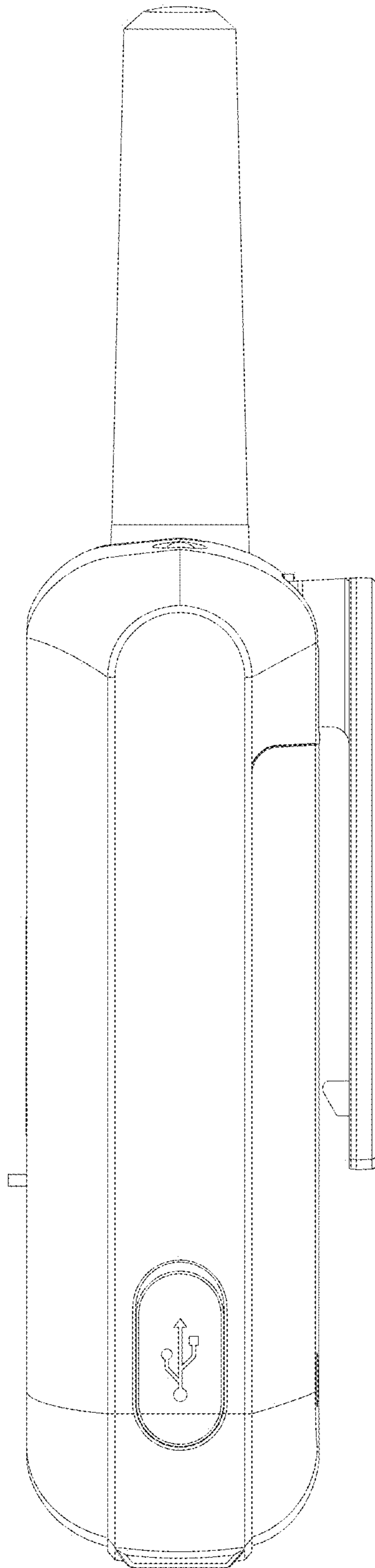


FIG.4

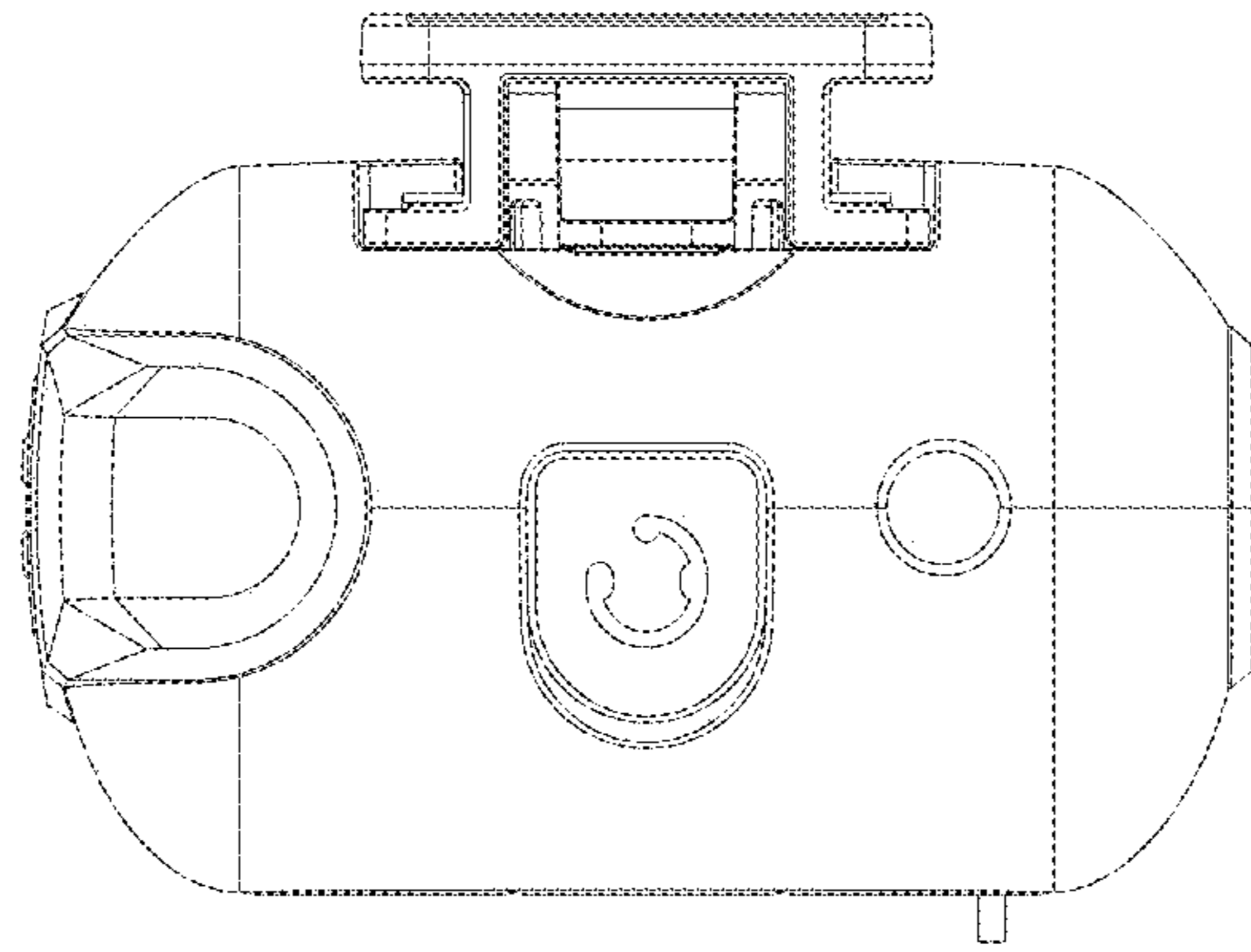


FIG.5

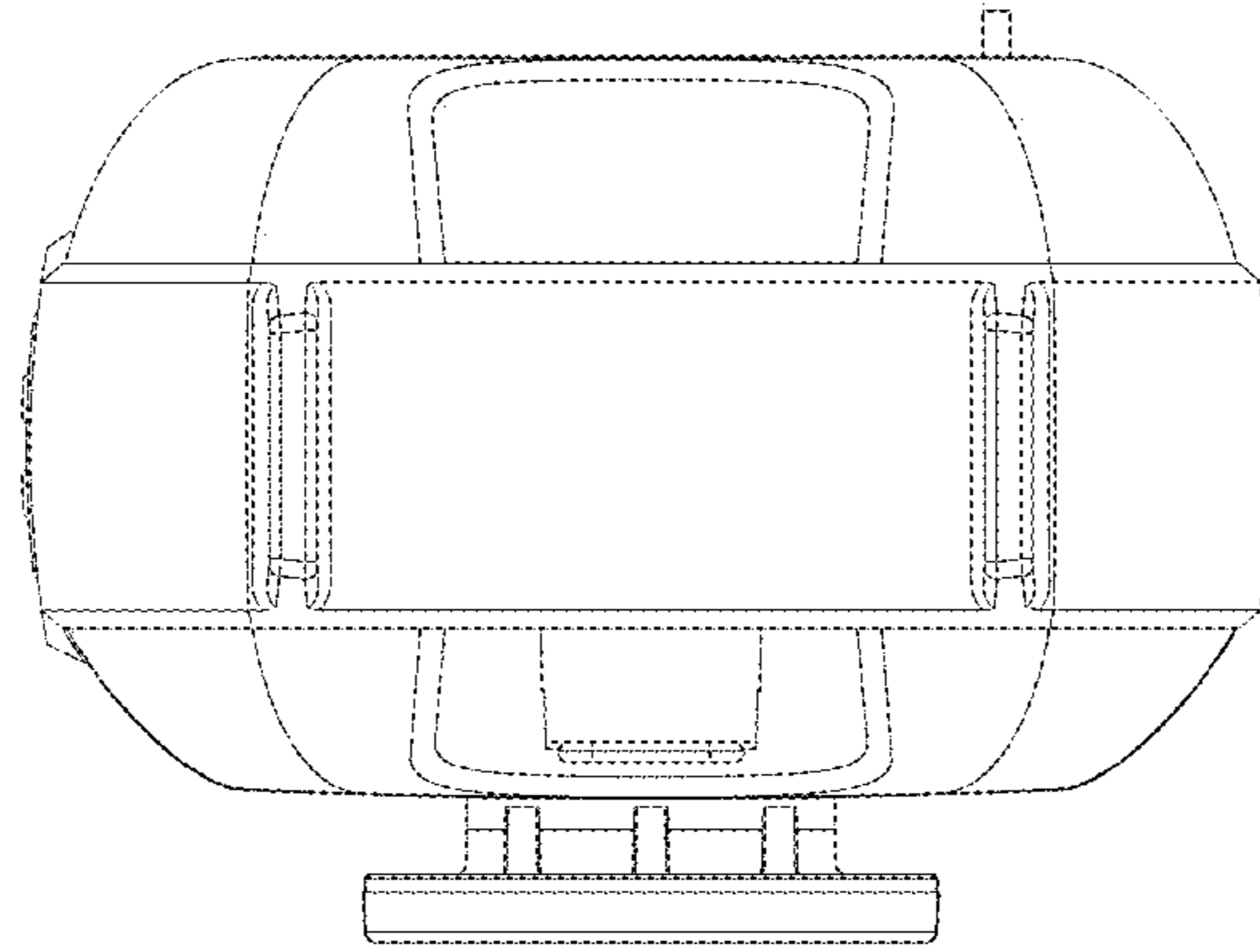


FIG.6

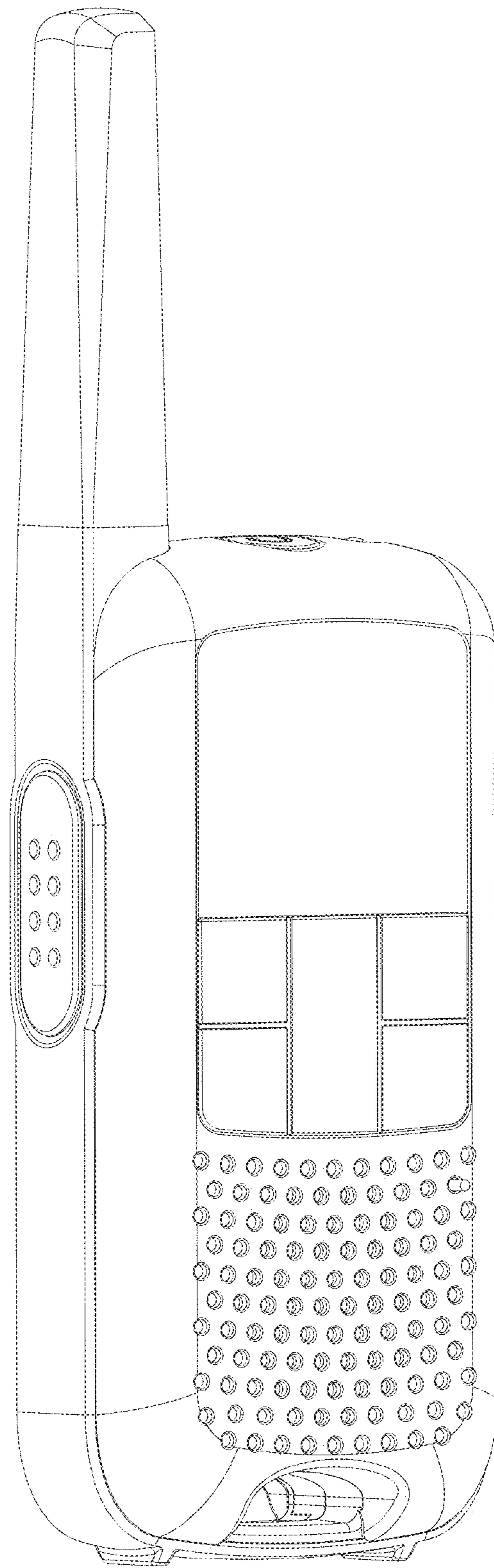


FIG. 7

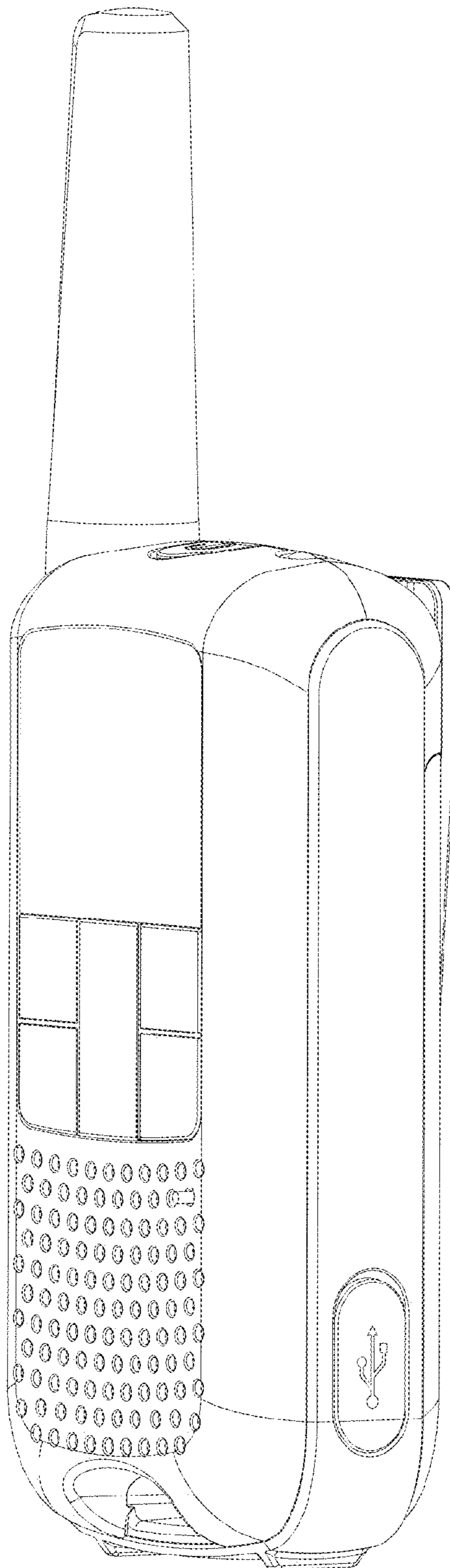


FIG. 8

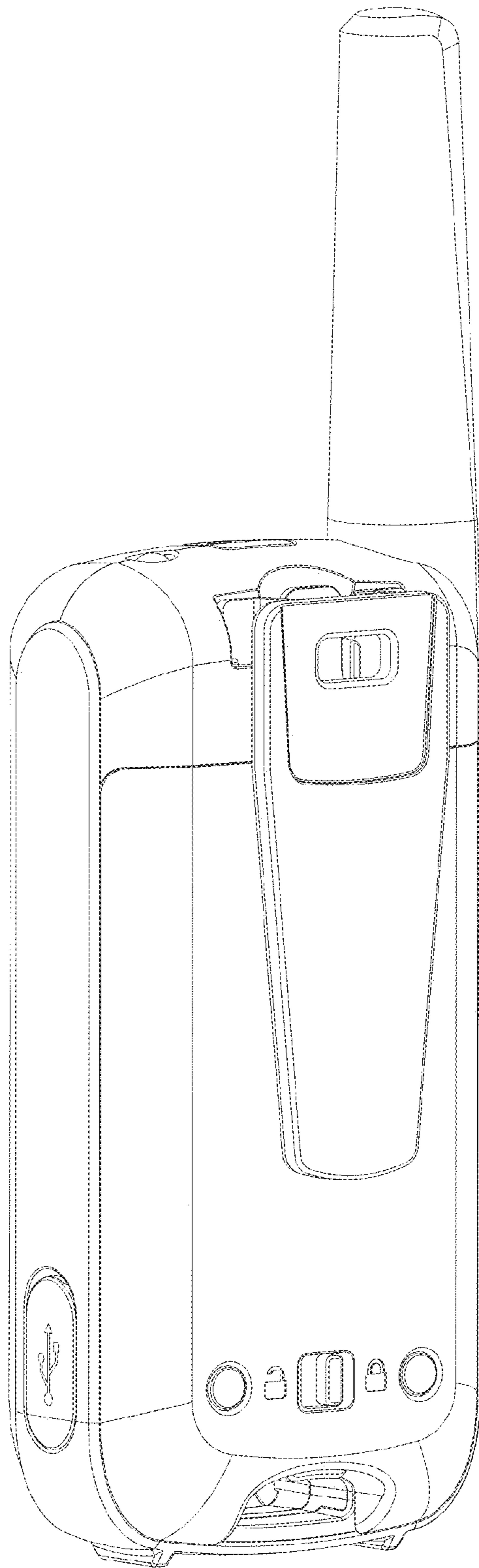


FIG. 9

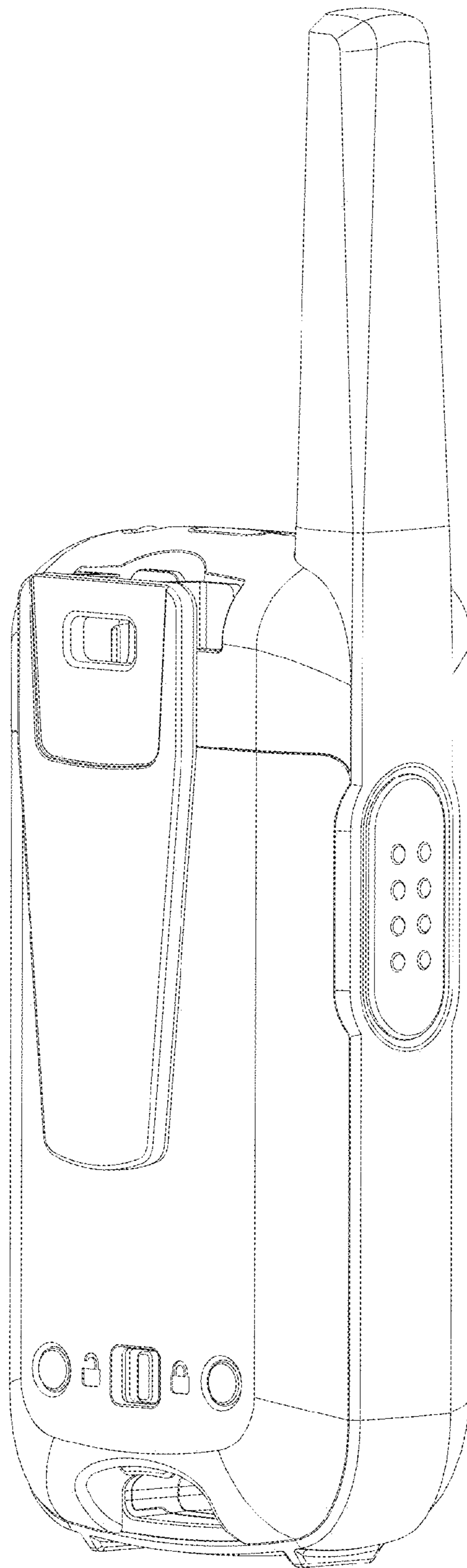


FIG. 10

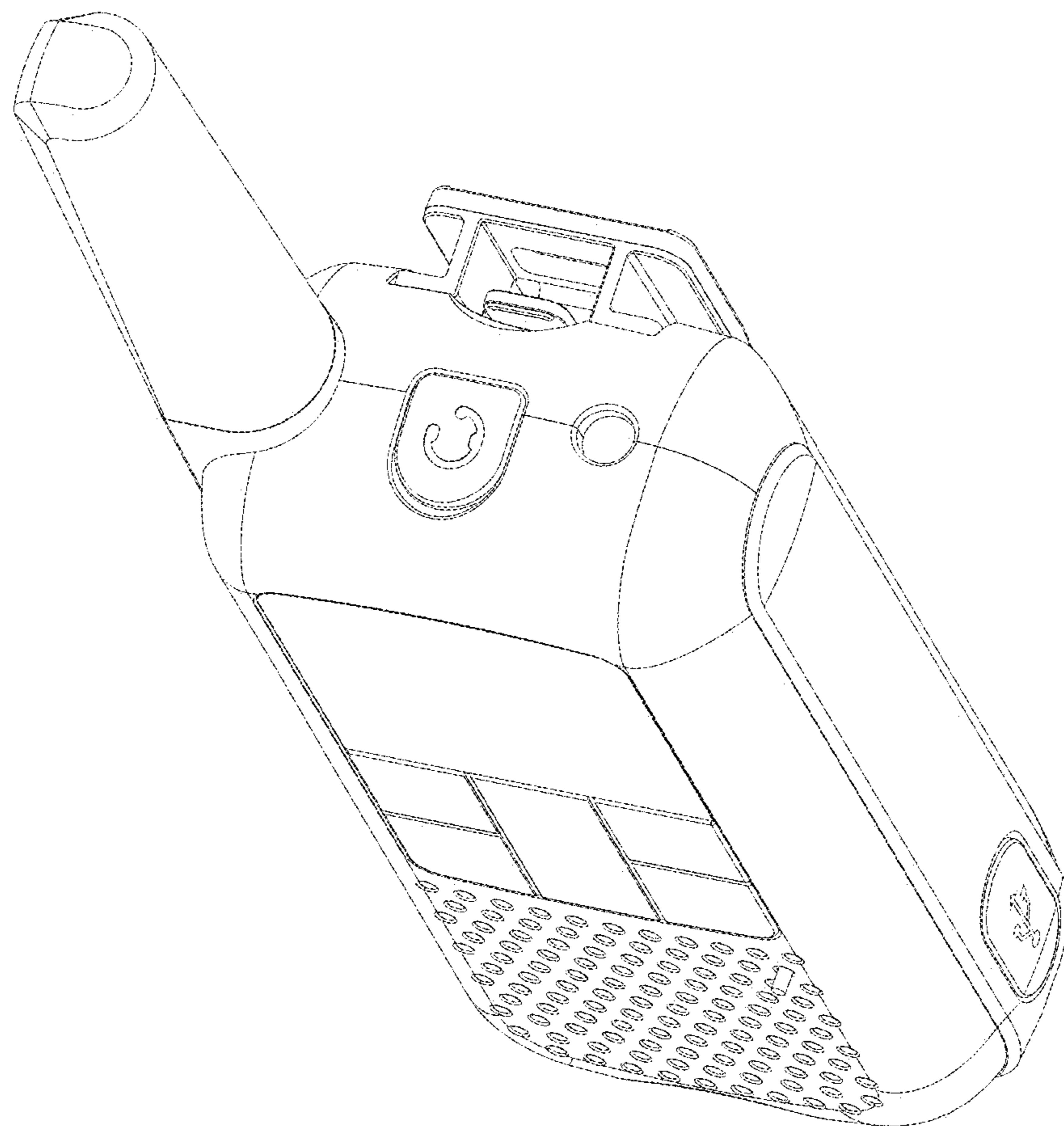


FIG. 11

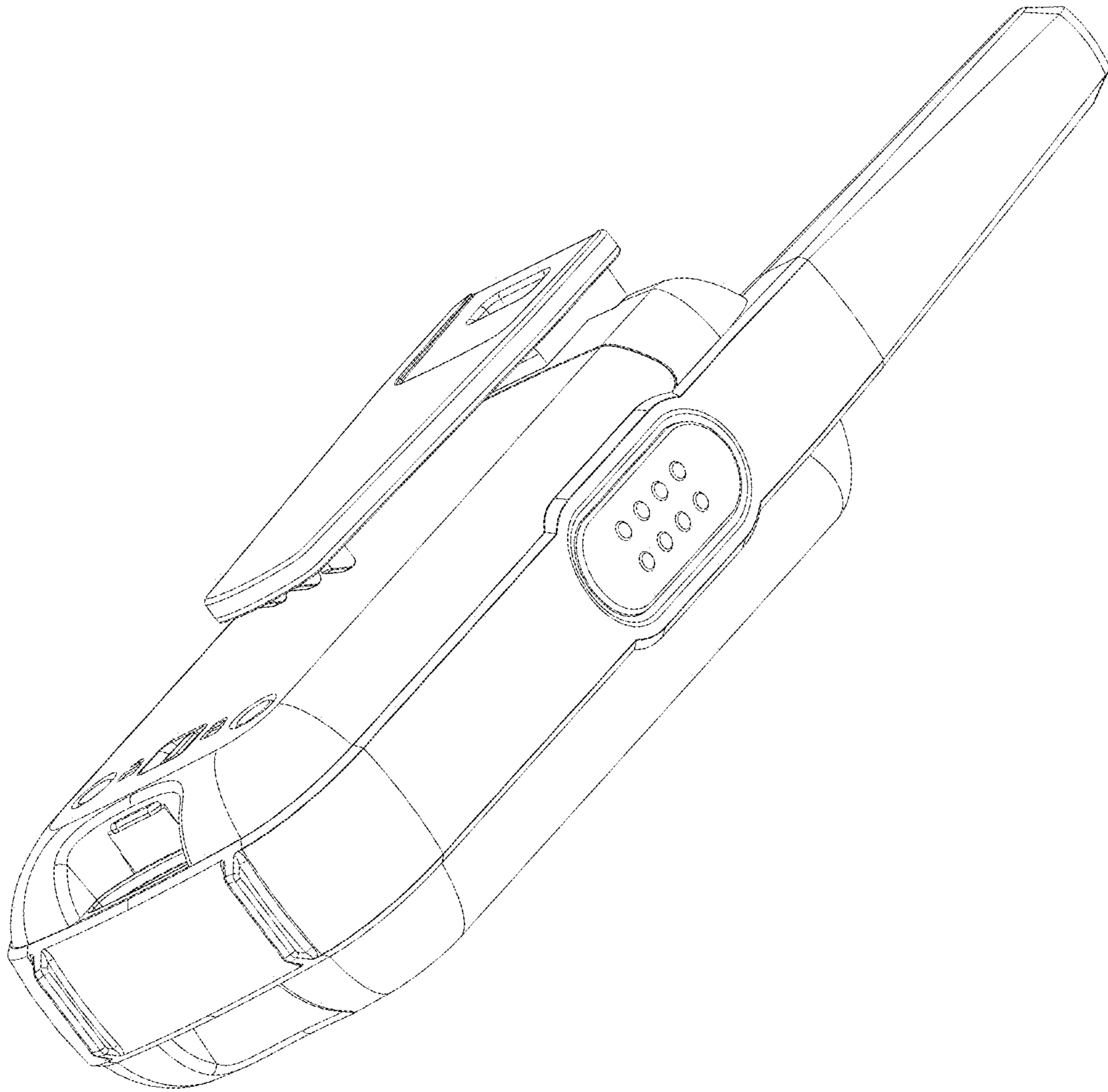


FIG.12