



US00D947800S

(12) **United States Design Patent** (10) **Patent No.:** **US D947,800 S**  
**Cook et al.** (45) **Date of Patent:** **\*\* Apr. 5, 2022**

- (54) **INTEGRATED MODULE**
- (71) Applicant: **CACI, Inc.—Federal**, Arlington, VA (US)
- (72) Inventors: **James Andrew Cook**, Lompoc, CA (US); **Eric David Nystrom**, Goleta, CA (US); **Renato M. Camarda**, Fanwood, NJ (US)
- (73) Assignee: **CACI, Inc.—Federal**, Reston, VA (US)
- (\*\*) Term: **15 Years**
- (21) Appl. No.: **29/701,214**
- (22) Filed: **Aug. 9, 2019**
- Related U.S. Application Data**
- (63) Continuation of application No. 16/512,713, filed on Jul. 16, 2019.
- (51) **LOC (13) Cl.** ..... **13-03**
- (52) **U.S. Cl.**  
USPC ..... **D13/182**
- (58) **Field of Classification Search**  
USPC ..... D13/182; 361/748, 752, 760, 761, 807, 361/808, 736, 719, 720; 174/250, 253, 174/255, 68.1; 363/144, 147  
CPC ..... H05K 3/30; H05K 3/301; H05K 3/284; H05K 3/303; H05K 1/18; H05K 1/181; H05K 1/182; H05K 1/183; H05K 1/185; H05K 1/00; H05K 7/1417; H05K 7/02; H05K 7/12; H05K 7/06; H01L 2924/14  
See application file for complete search history.

D430,856 S *	9/2000	Wilkerson	.....	D13/182
D466,093 S *	11/2002	Ebihara	.....	D13/182
D508,681 S *	8/2005	Enderlein	.....	D13/182
D525,213 S *	7/2006	Enderlein	.....	D13/182
D540,272 S *	4/2007	Higashibata	.....	D13/182
D603,812 S *	11/2009	Johnson	.....	D13/182
D639,756 S *	6/2011	Greene, Jr.	.....	D13/182
D642,546 S *	8/2011	Greene, Jr.	.....	D13/182
D647,072 S *	10/2011	Bentley	.....	D13/182
D655,256 S *	3/2012	Nishiguchi	.....	D13/182
D673,921 S *	1/2013	Ozawa	.....	D13/182
D678,227 S *	3/2013	Takahashi	.....	D13/182
D690,672 S *	10/2013	Yoshida	.....	D13/182
D699,201 S *	2/2014	Petsch	.....	D13/182
D768,115 S *	10/2016	Kazanchian	.....	D14/230
D799,438 S *	10/2017	Takahashi	.....	D13/182
10,062,249 B1	8/2018	Modi et al.	.....	
D831,009 S *	10/2018	Horn	.....	D14/230
D837,171 S *	1/2019	Vasoya	.....	D13/182
D856,948 S *	8/2019	Vasoya	.....	D13/182
D864,968 S *	10/2019	Beals	.....	D14/436
10,461,428 B2	10/2019	Jeong	.....	H01Q 9/0407
10,510,626 B2	12/2019	Braun	.....	H01L 22/30
D872,032 S *	1/2020	Morelli	.....	D13/147

(Continued)

*Primary Examiner* — Elizabeth J Oswecki  
 (74) *Attorney, Agent, or Firm* — BakerHostetler; Tayan B. Patel

(57) **CLAIM**

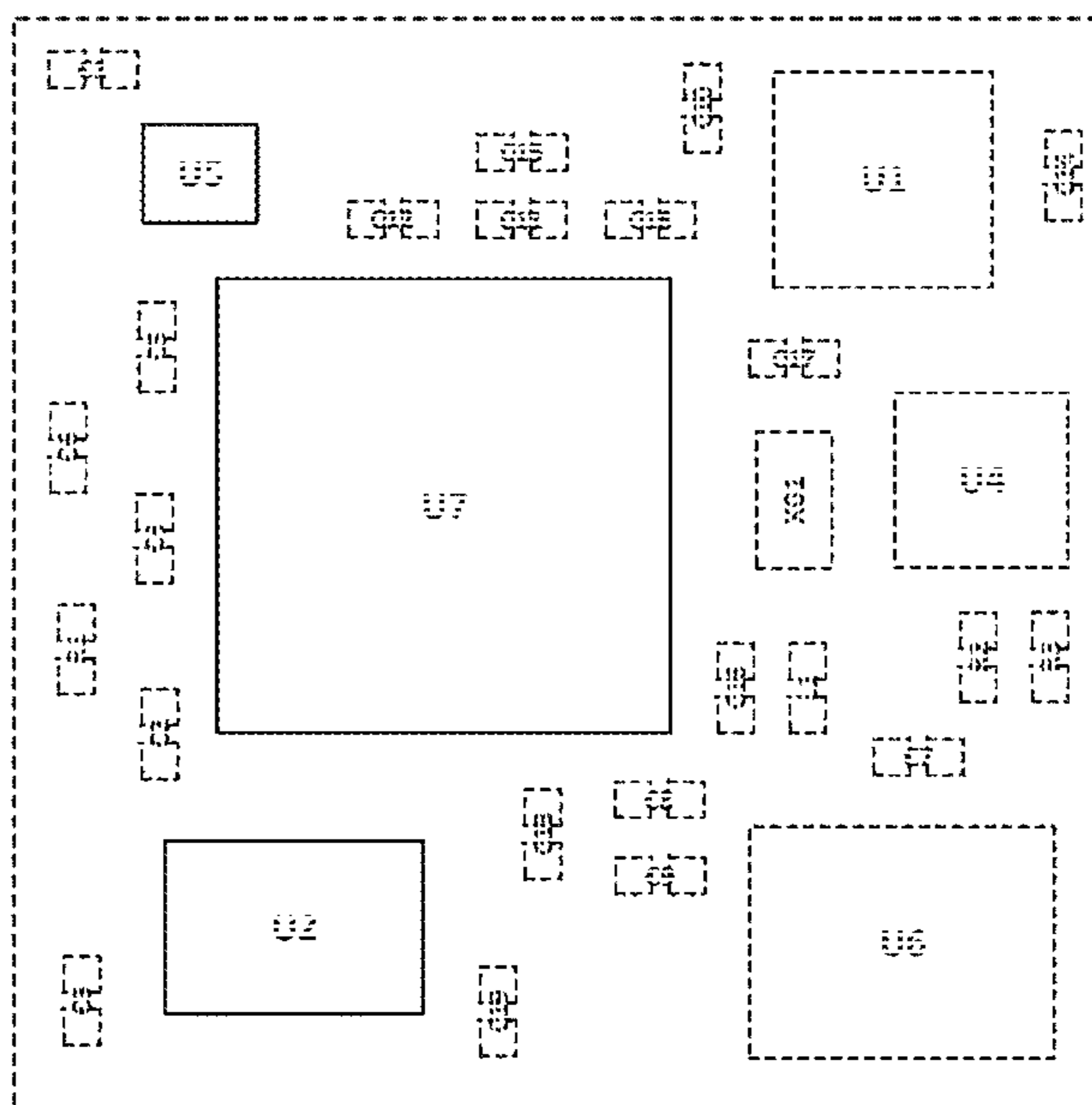
The ornamental design for an integrated module, as shown and described.

**DESCRIPTION**

The sole view is a top plan view of an integrated module, showing our new design.  
 The broken lines form no part of the claimed design. Text in the FIGURE form no part of the claimed design. All sides and surfaces not shown form no part of the claimed design.

**1 Claim, 1 Drawing Sheet**

- (56) **References Cited**
- U.S. PATENT DOCUMENTS
- |               |         |        |       |             |
|---------------|---------|--------|-------|-------------|
| D292,698 S *  | 11/1987 | DeVita | ..... | D13/182     |
| 5,326,284 A * | 7/1994  | Bohbot | ..... | H05K 1/0228 |
|               |         |        |       | 439/607.01  |



(56)

References Cited

U.S. PATENT DOCUMENTS

D872,033 S *	1/2020	Morelli	.....	D13/147	2006/0186520 A1*	8/2006	Toba	.....	H05K 3/0061 257/678
D883,240 S *	5/2020	Fathauer	.....	H05K 1/115	2008/0089020 A1*	4/2008	Hiew	.....	H05K 9/0067 361/679.31
D887,998 S *	6/2020	Krasnopolki	.....	D13/182	2008/0123318 A1*	5/2008	Lam	.....	H01L 21/6835 361/820
D893,439 S *	8/2020	Vasoya	.....	D13/182	2008/0137278 A1*	6/2008	Chih	.....	H01L 23/49805 361/679.31
D902,164 S *	11/2020	Kondo	.....	D13/182	2008/0144290 A1*	6/2008	Brandt	.....	B60R 16/0239 361/720
D904,325 S *	12/2020	Omichi	.....	D13/182	2008/0200041 A1*	8/2008	Lin	.....	G11B 33/122 439/62
D904,355 S *	12/2020	Horn	.....	D14/230	2009/0268390 A1*	10/2009	King	.....	G06F 13/409 361/679.33
10,856,744 B2	12/2020	Yuen et al.			2017/0034941 A1*	2/2017	McCurley	.....	H05K 7/1417
D909,319 S *	2/2021	Nordeen	.....	D13/182	2017/0045187 A1*	2/2017	Li	.....	F21S 4/24
D911,298 S *	2/2021	Krasnopolki	.....	D13/182	2017/0058565 A1	3/2017	Sanchez et al.		
D930,000 S *	9/2021	Yang	.....	D14/436	2017/0227566 A1	8/2017	Gregory		
D930,001 S *	9/2021	Yang	.....	D14/437	2018/0293860 A1	10/2018	Britton et al.		
D930,601 S *	9/2021	McBride	.....	H01M 10/425	2019/0331828 A1	10/2019	Mutlu et al.		
2006/0043544 A1*	3/2006	Tsukamoto	.....	H01L 27/14685 257/666	2020/0128358 A1	4/2020	Komoni et al.		
2006/0097374 A1*	5/2006	Egawa	.....	H01L 24/05 257/686					

\* cited by examiner

