



US00D947799S

(12) **United States Design Patent**
Loussert

(10) **Patent No.:** **US D947,799 S**
(45) **Date of Patent:** **** Apr. 5, 2022**

(54) **ACTUATOR FOR AN AUTOMOTIVE DASHBOARD**

(71) Applicant: **SONCEBOZ AUTOMOTIVE SA,**
Sonceboz (CH)

(72) Inventor: **Guillaume Loussert,** Sonceboz (CH)

(**) Term: **15 Years**

(21) Appl. No.: **35/509,458**

(22) Filed: **Nov. 28, 2019**

(80) **Hague Agreement Data**

Int. Filing Date: **Nov. 28, 2019**

Int. Reg. No.: **DM/205850**

Int. Reg. Date: **Nov. 28, 2019**

Int. Reg. Pub. Date: **May 29, 2020**

(51) **LOC (13) Cl.** **13-03**

(52) **U.S. Cl.**

USPC **D13/174**

(58) **Field of Classification Search**

USPC D13/101, 112, 122, 133, 146, 147, 159,
D13/174, 180; D12/345; D15/148, 149

CPC H01H 9/165; H05K 3/325; F24F 11/72;
F16K 31/065; H02K 11/33

See application file for complete search history.

(56) **References Cited**

U.S. PATENT DOCUMENTS

D140,204 S * 1/1945 Lear D13/112

D563,865 S * 3/2008 Ahlgren D13/101

D614,149 S *	4/2010	Crites	D13/174
D614,150 S *	4/2010	Crites	D13/174
8,287,207 B2 *	10/2012	Bakken	F16D 13/10 403/261
10,054,166 B2 *	8/2018	Bakken	F16K 31/055
D857,935 S *	8/2019	Tajima	D26/28
D881,131 S *	4/2020	Tovey	D13/146
D901,402 S *	11/2020	Mueller	D13/159
D906,241 S *	12/2020	Franceschini	D13/110
D914,619 S *	3/2021	Loussert	D13/180
2011/0043345 A1 *	2/2011	Strahm	H05K 3/325 340/438

* cited by examiner

Primary Examiner — Darlington Ly

(57) **CLAIM**

The ornamental design for an actuator for an automotive dashboard, as shown and described.

DESCRIPTION

FIG. 1.1 is a top, front, and left side perspective view of an actuator for an automotive dashboard embodying my new design;

FIG. 1.2 is a top, front, and right side perspective view thereof;

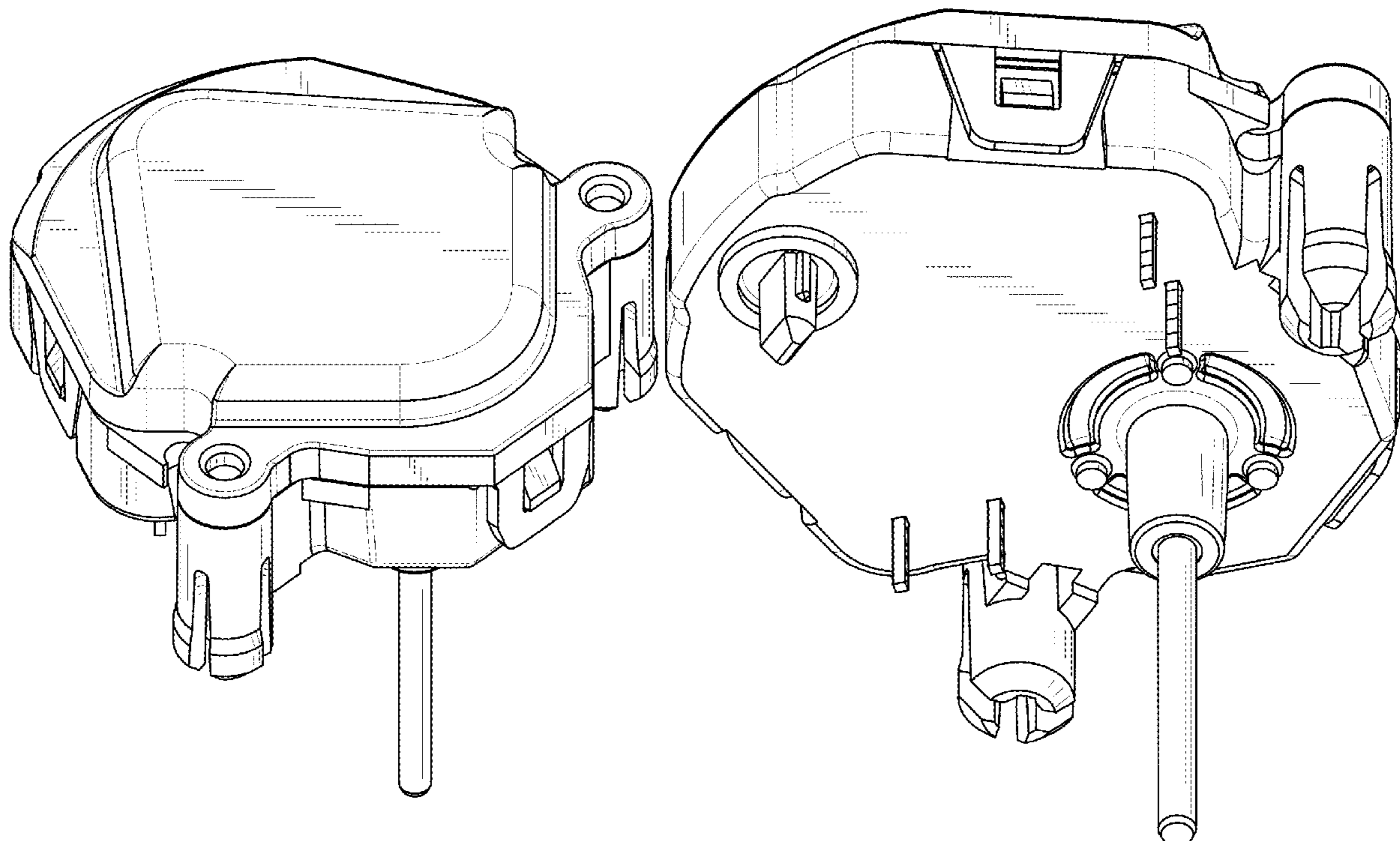
FIG. 1.3 is a top and front perspective view thereof;

FIG. 1.4 is a bottom, rear, and left side perspective view thereof;

FIG. 1.5 is a bottom, rear, and right side perspective view thereof; and

FIG. 1.6 is a bottom and rear perspective view thereof.

1 Claim, 6 Drawing Sheets



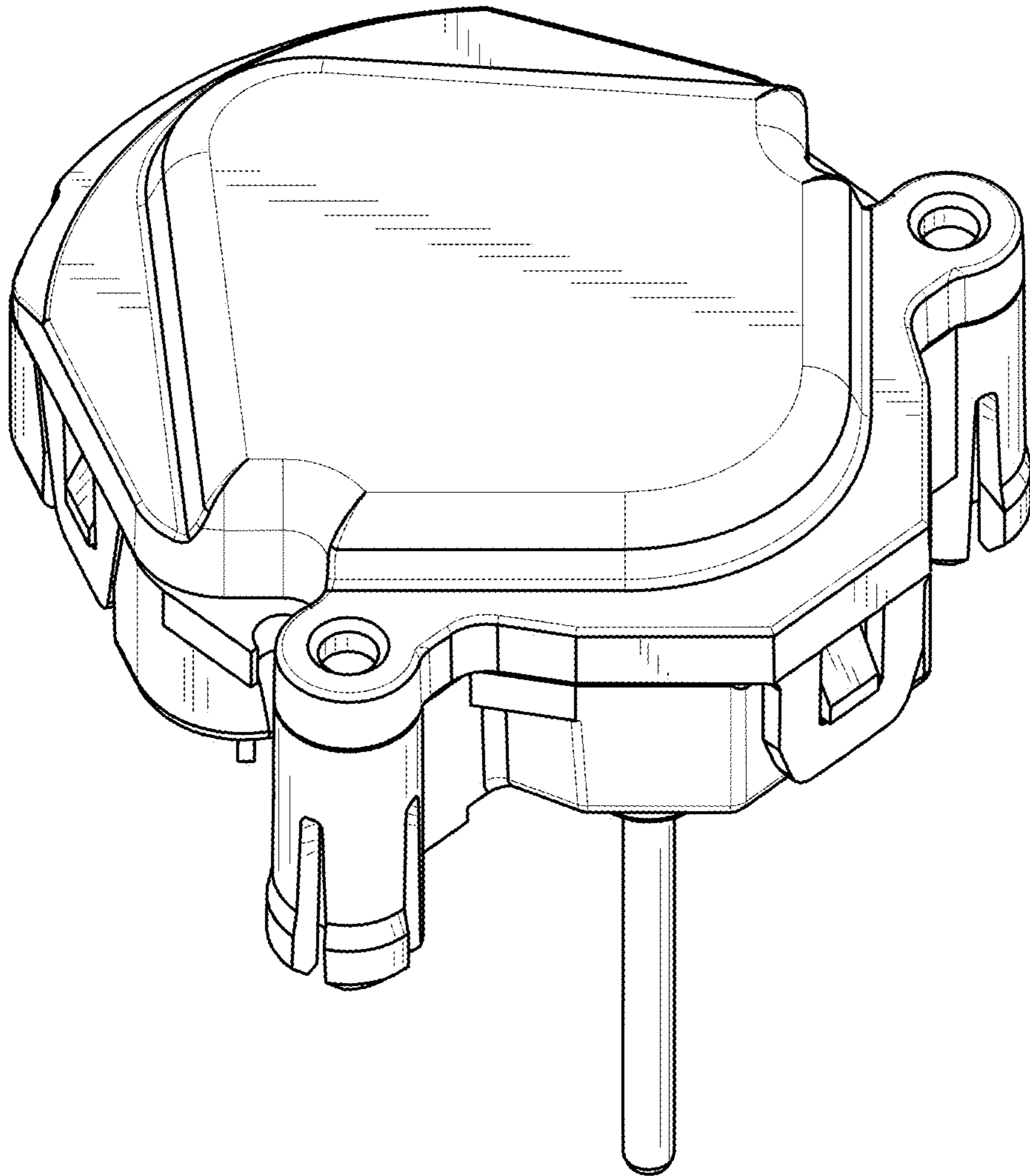


FIG. 1.1

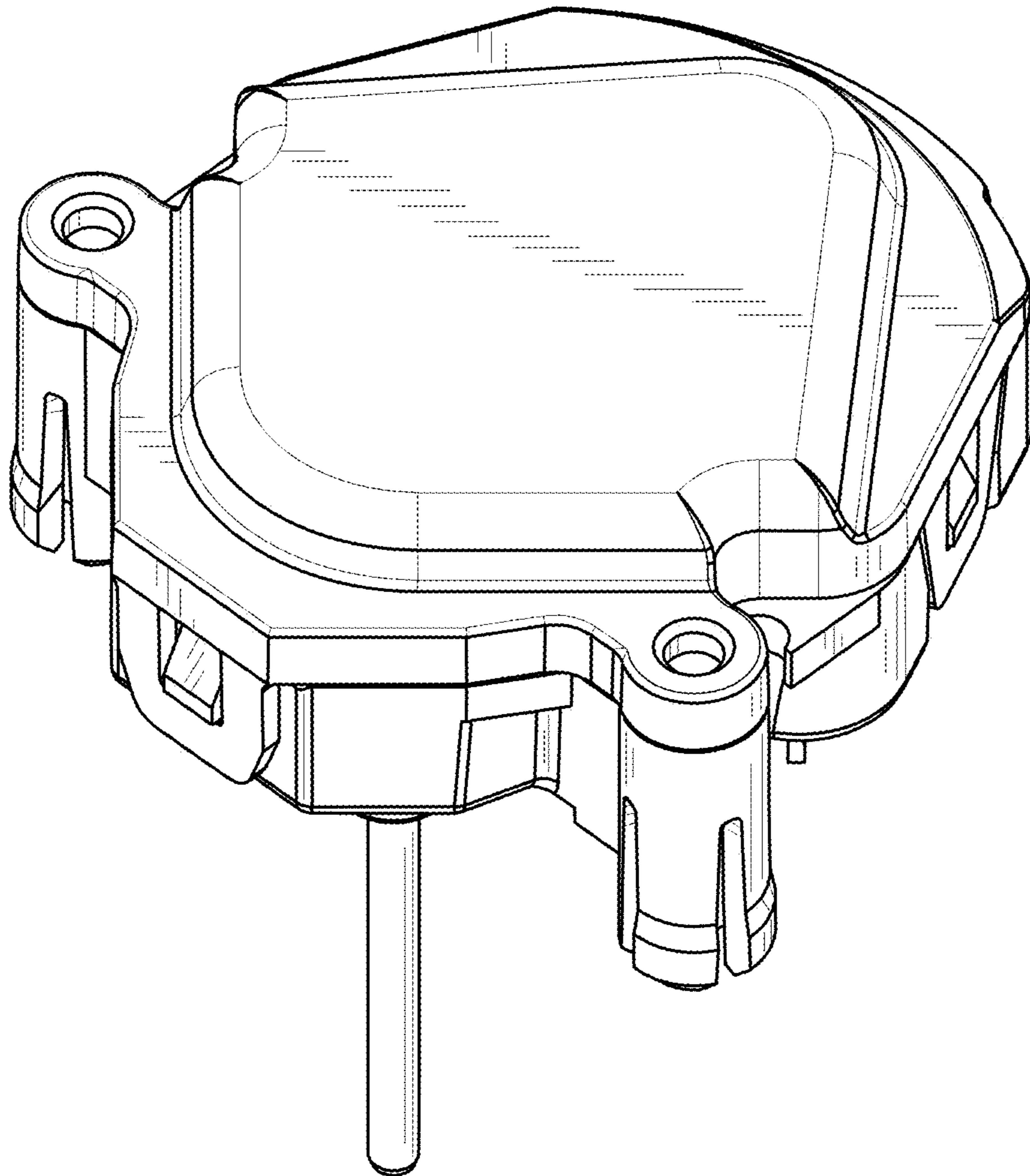


FIG. 1.2

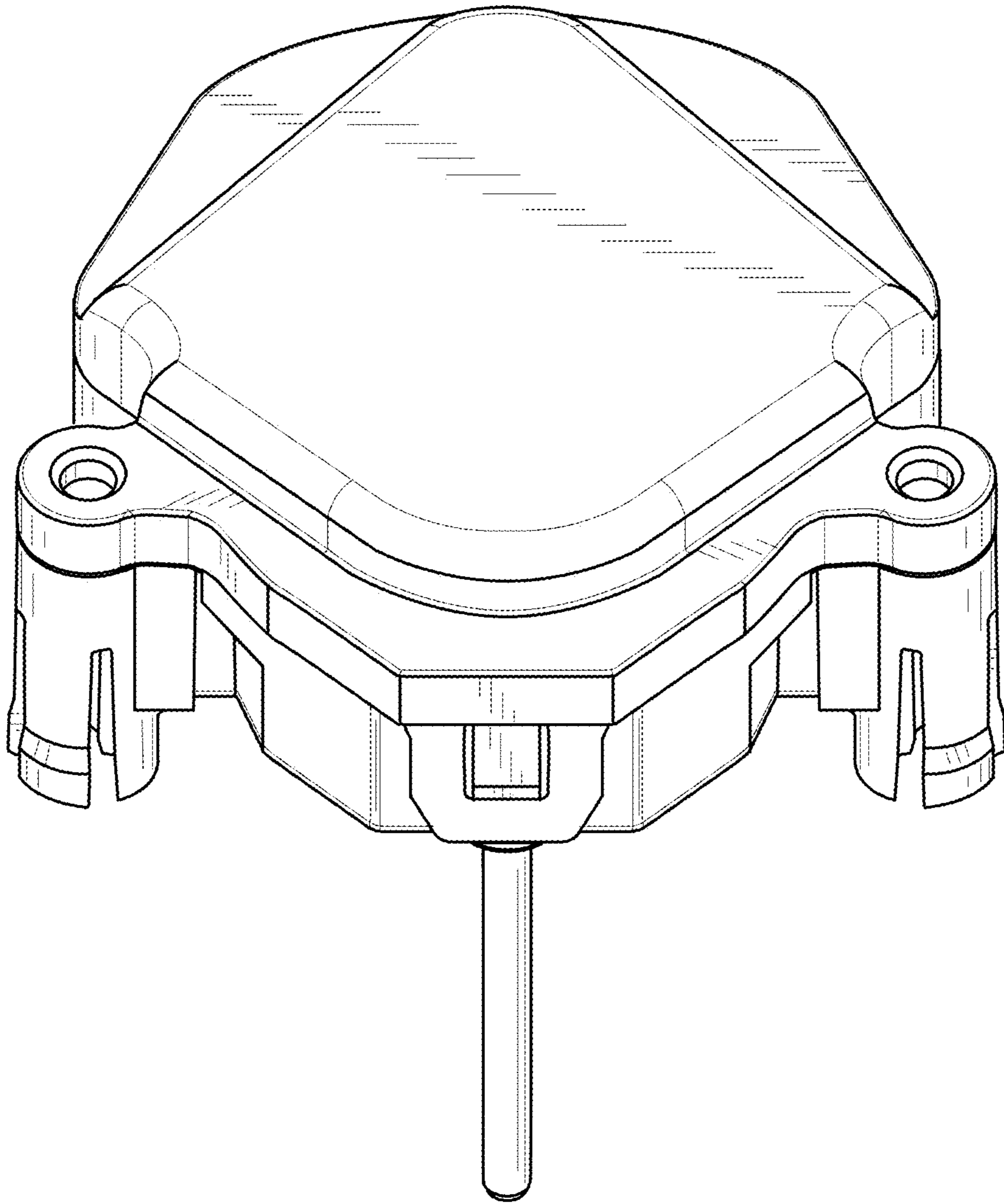


FIG. 1.3

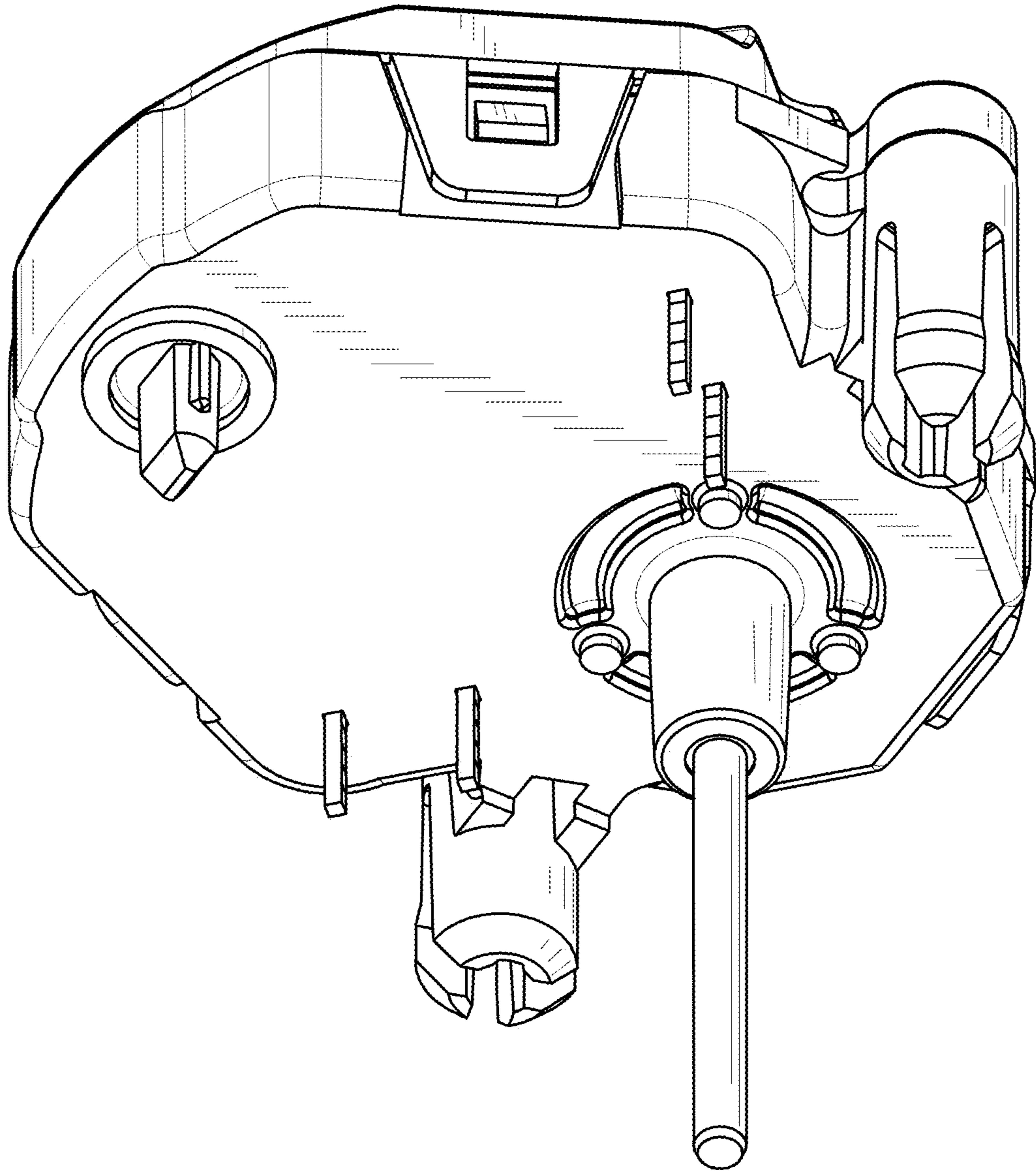


FIG. 1.4

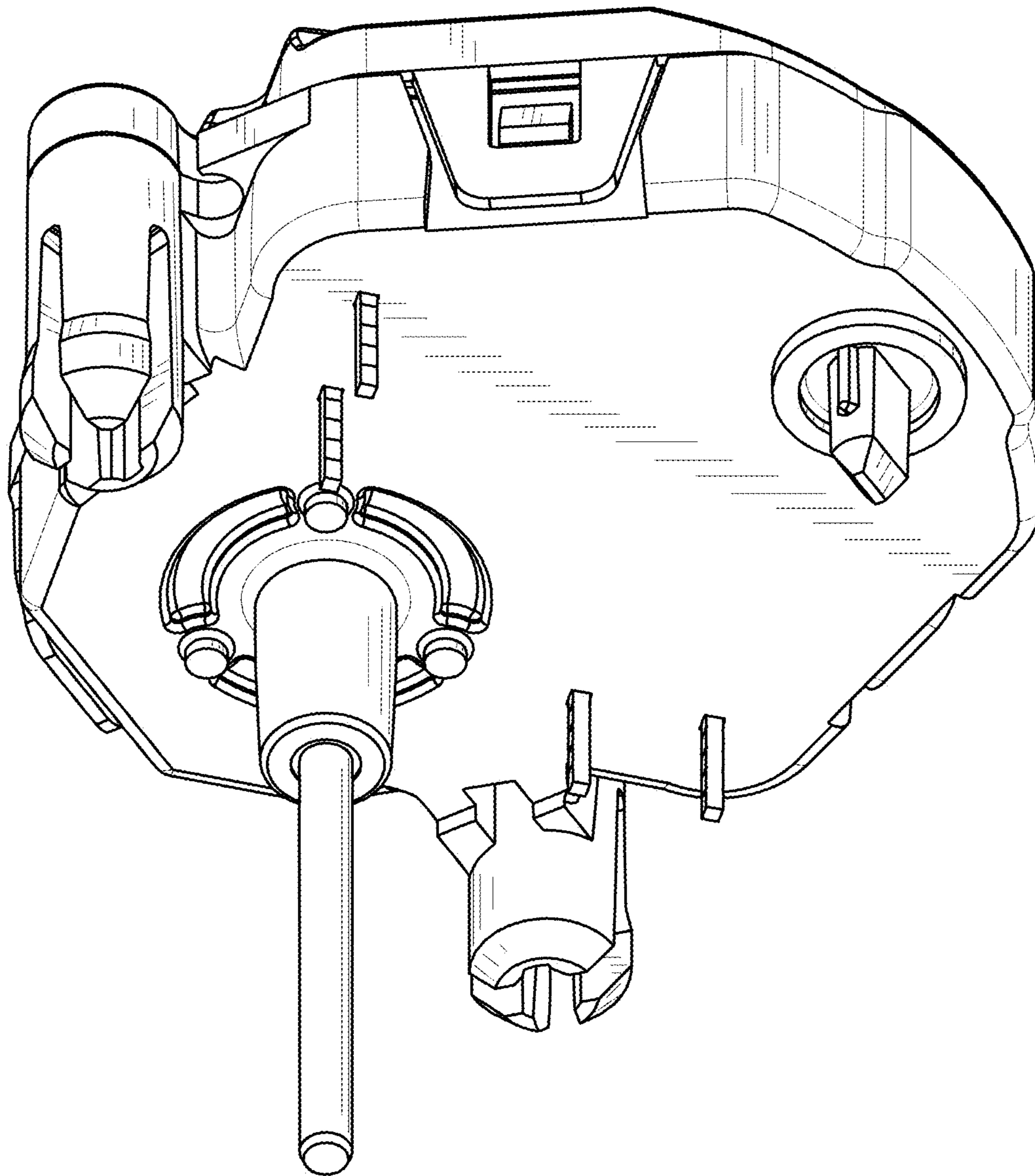


FIG. 1.5

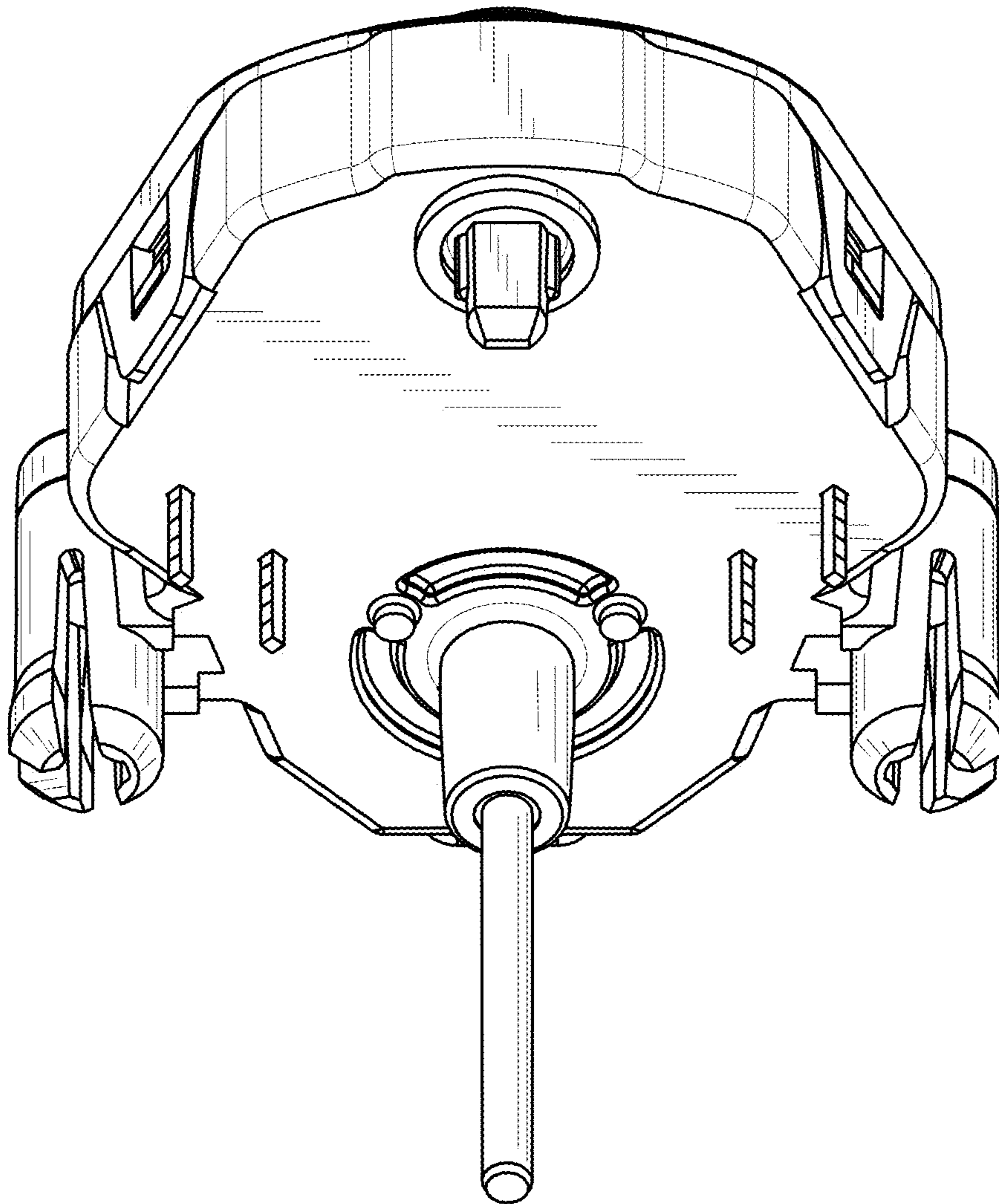


FIG. 1.6