



US00D947797S

(12) **United States Design Patent** (10) **Patent No.:** **US D947,797 S**  
**Thom et al.** (45) **Date of Patent:** **\*\* Apr. 5, 2022**

(54) **SAFETY LOCKOUT DEVICE FOR ELECTRICAL SWITCH**

2014/0102865 A1 4/2014 Obenshain et al.  
2014/0220802 A1 8/2014 Bogart et al.  
2016/0055995 A1 2/2016 Kubisiak  
2021/0098206 A1\* 4/2021 Thom ..... H01H 9/02

(71) Applicant: **TAGOUT SAFETY PRODUCTS LLC**, Gresham, OR (US)

FOREIGN PATENT DOCUMENTS

(72) Inventors: **Todd Thom**, Gresham, OR (US);  
**Orville Flowers**, Happy Valley, OR (US)

CN 202996671 U 6/2013

OTHER PUBLICATIONS

(73) Assignee: **TAGOUT SAFETY PRODUCTS LLC**, Gresham, OR (US)

Master Lock Safety Catalog; Jul. 2021; 1 pg; [https://cdn.masterlock.com/masterlock/resources/documents/pdf/7000-0193\\_Safety-Product-Catalog.pdf](https://cdn.masterlock.com/masterlock/resources/documents/pdf/7000-0193_Safety-Product-Catalog.pdf).\*

(\*\*) Term: **15 Years**

Scaffold Safety Tag Holder; retrieved on Nov. 15, 2021; 1 pg.; [https://www.alibaba.com/product-detail/Scaffold-Safety-Tag-Holder\\_60757443910.html](https://www.alibaba.com/product-detail/Scaffold-Safety-Tag-Holder_60757443910.html).\*

(21) Appl. No.: **29/707,374**

\* cited by examiner

(22) Filed: **Sep. 27, 2019**

(51) **LOC (13) Cl.** ..... **13-03**

*Primary Examiner* — Selina Sikder

(52) **U.S. Cl.**  
USPC ..... **D13/173**

(74) *Attorney, Agent, or Firm* — McCoy Russell LLP

(58) **Field of Classification Search**  
USPC ..... D13/173, 178; D8/330  
CPC ..... H01H 9/06; H01H 9/20; H01H 9/287;  
H02G 3/08; H02G 3/081; H02G 3/083;  
H02G 3/088; H02G 3/10; H02G 3/12;  
H02G 3/14

(57) **CLAIM**

The ornamental design for a safety lockout device for an electrical switch, as shown and described.

See application file for complete search history.

**DESCRIPTION**

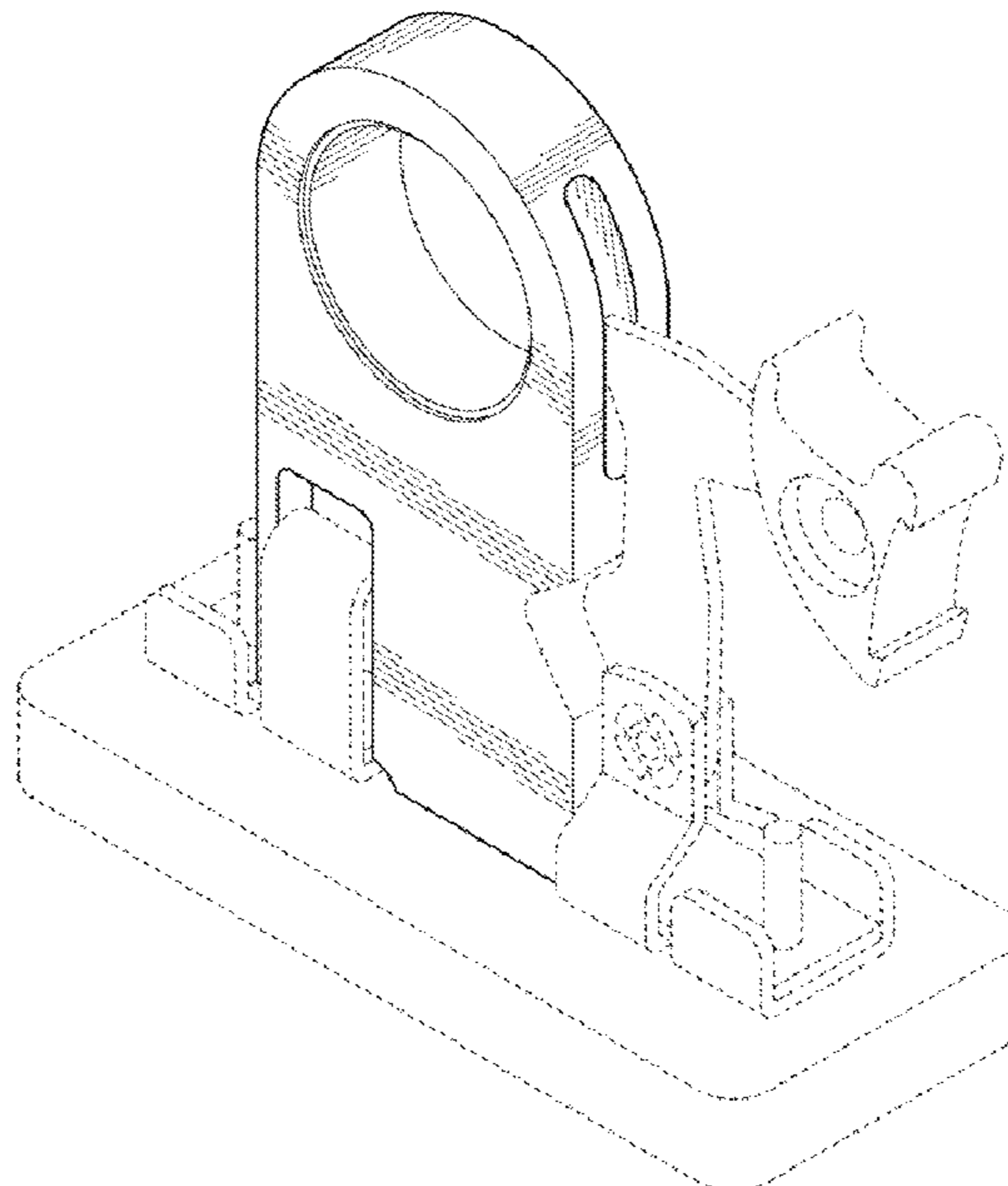
FIG. 1 is a first front perspective view of the safety lockout device for an electrical switch;  
FIG. 2 is a second front perspective view thereof;  
FIG. 3 is a rear perspective view thereof;  
FIG. 4 is a right side elevation view thereof;  
FIG. 5 is a front elevation view thereof;  
FIG. 6 is a rear elevation view thereof;  
FIG. 7 is a top plan view thereof; and,  
FIG. 8 is a bottom plan view thereof.  
The broken lines are for illustrative purposes only and form no part of the claimed design.

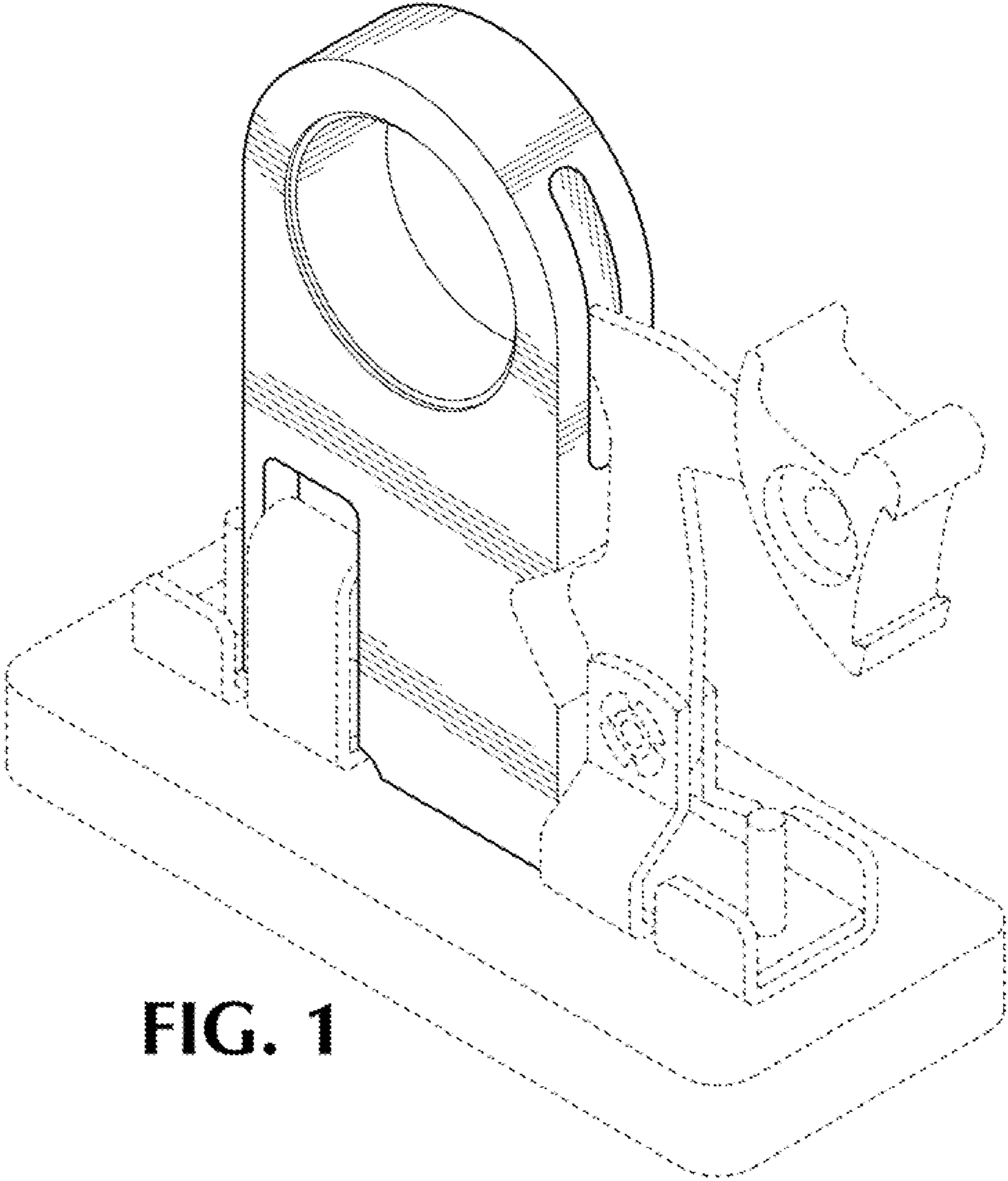
(56) **References Cited**

U.S. PATENT DOCUMENTS

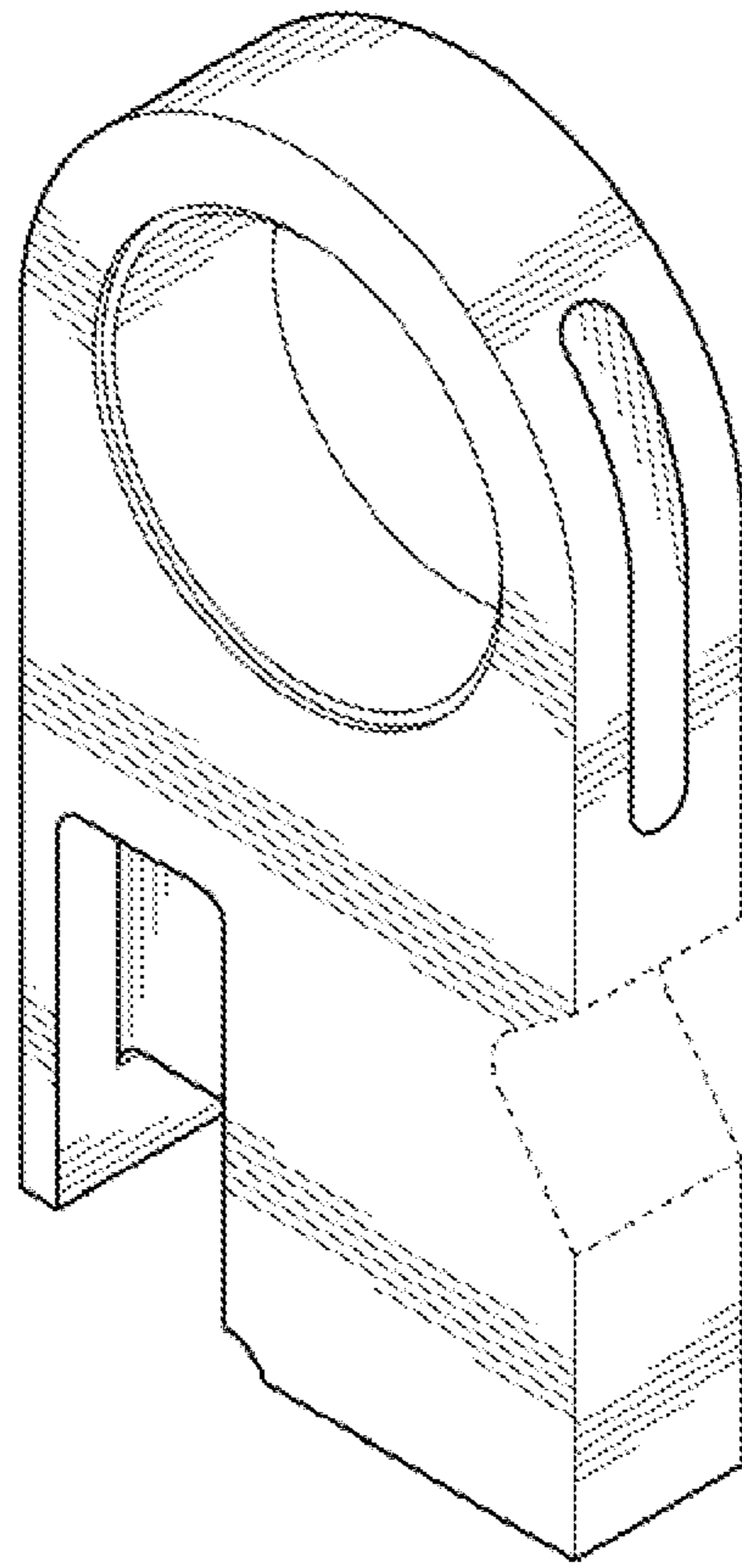
1,558,628	A	10/1925	Purcell	
4,365,129	A	12/1982	McKee	
6,580,041	B1	6/2003	Ransopher	
D721,045	S *	1/2015	Gratz	D13/173
D798,828	S *	10/2017	Maloney	D13/173
D904,988	S *	12/2020	Poppendorfer	D13/178
D914,618	S *	3/2021	Neau	D13/178
D925,467	S *	7/2021	Meszaros	D13/158

**1 Claim, 3 Drawing Sheets**

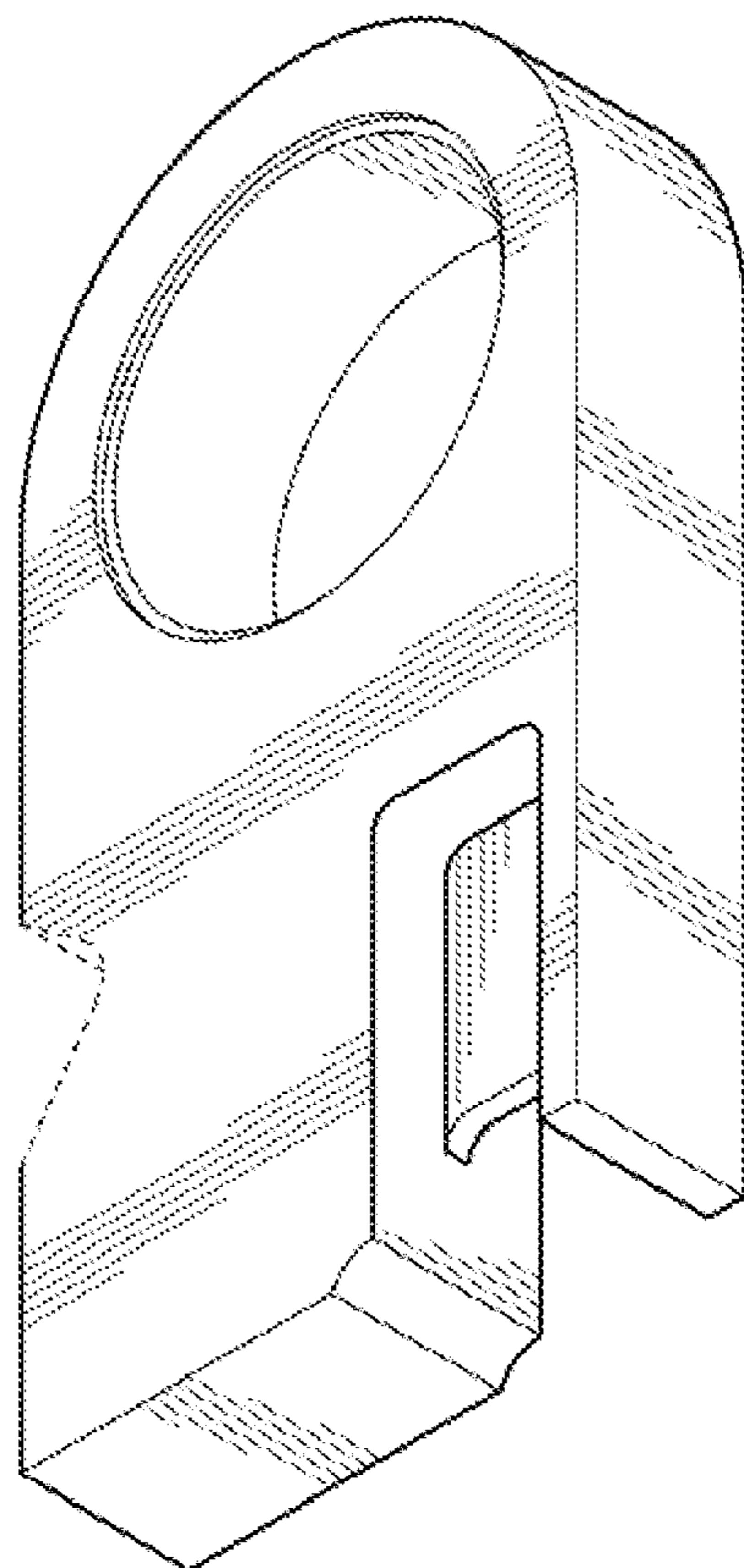




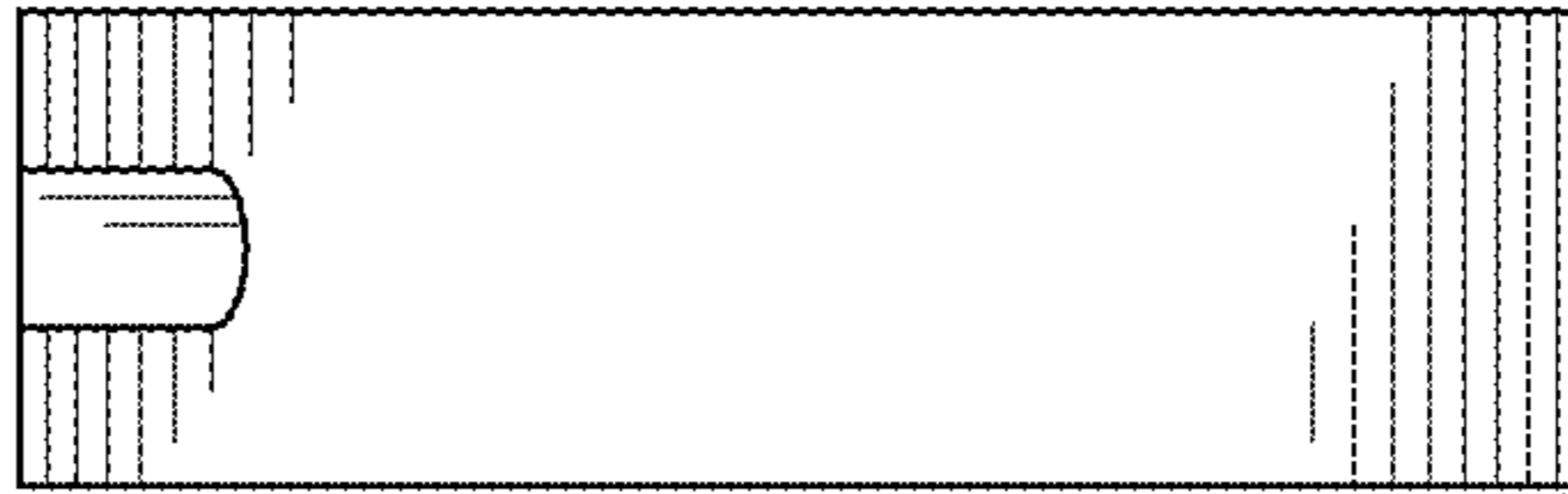
**FIG. 1**



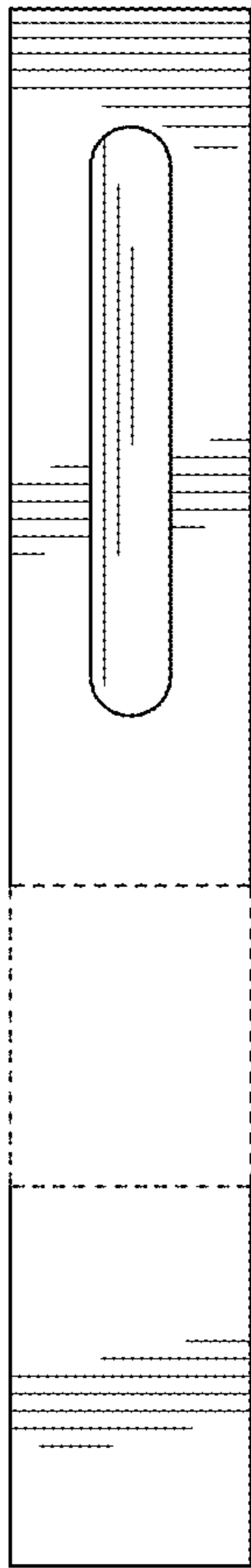
**FIG. 2**



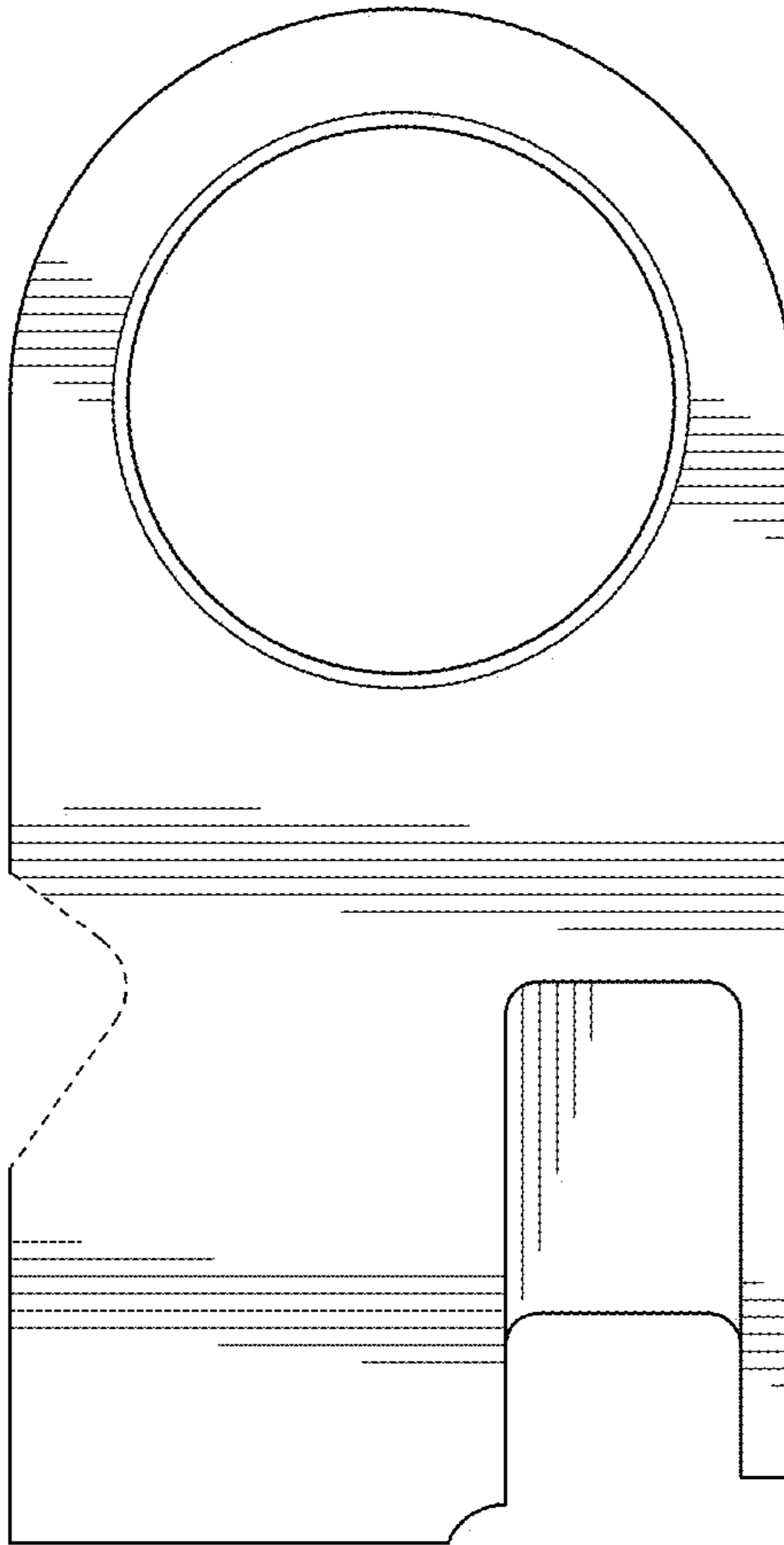
**FIG. 3**



**FIG. 7**



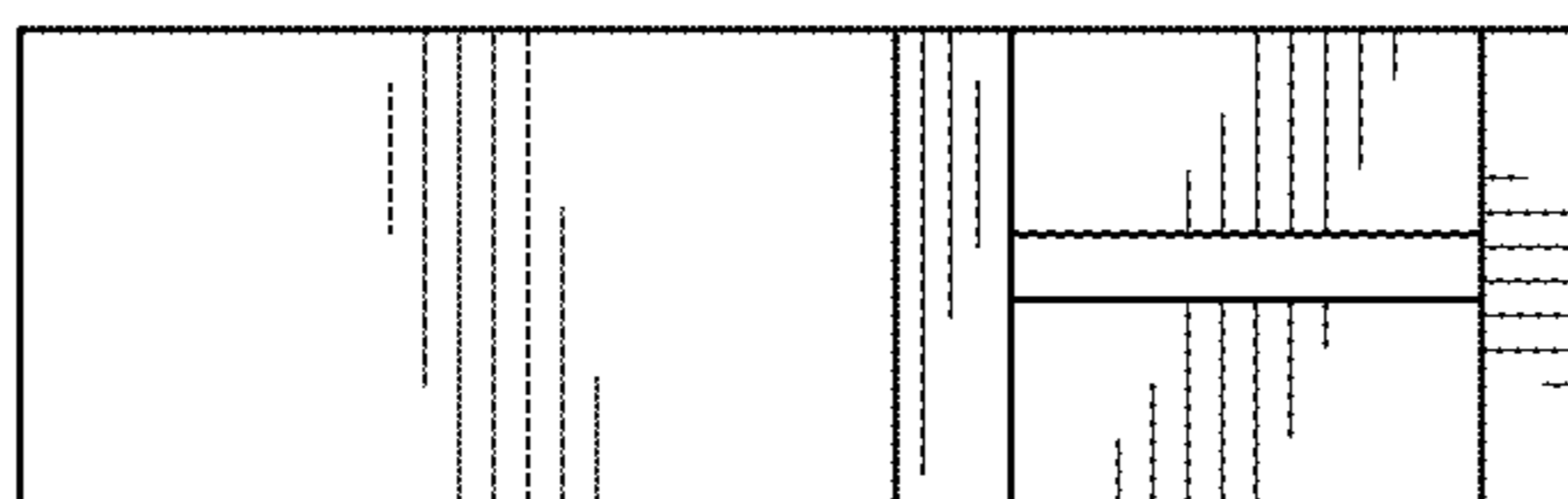
**FIG. 5**



**FIG. 4**



**FIG. 6**



**FIG. 8**