



US00D947795S

(12) **United States Design Patent**  
**Jin**

(10) **Patent No.:** **US D947,795 S**

(45) **Date of Patent:** **\*\* \*Apr. 5, 2022**

(54) **SMART SWITCH**

(71) Applicant: **Zhenhua Jin**, Zhejiang (CN)

(72) Inventor: **Zhenhua Jin**, Zhejiang (CN)

(\*) Notice: This patent is subject to a terminal disclaimer.

(\*\*) Term: **15 Years**

(21) Appl. No.: **29/642,138**

(22) Filed: **Mar. 28, 2018**

(51) **LOC (13) Cl.** ..... **13-03**

(52) **U.S. Cl.**  
USPC ..... **D13/169**

(58) **Field of Classification Search**  
USPC .... D13/139.3, 152, 162, 164, 169, 171, 177  
CPC .. H01H 3/12; H01H 9/16; H01H 9/18; H01H 9/181; H01H 9/182; H01H 13/04; H01H 13/14; H01H 2009/187; H01H 23/025; H01H 23/04; H01H 23/145; H05B 33/0803; H05B 33/0863; H05B 37/02; H05B 37/0254; H05B 37/0272; H05B 39/02; H05B 39/04; H05B 39/085; H05B 39/086; H05B 39/088; H02G 3/08; H02G 3/081; H02G 3/088

See application file for complete search history.

(56) **References Cited**

**U.S. PATENT DOCUMENTS**

5,895,888	A *	4/1999	Arenas	.....	H02G 3/14 174/66
6,657,144	B2 *	12/2003	Savicki, Jr.	.....	H01H 23/04 174/53
6,891,117	B1 *	5/2005	Gouhl	.....	H01H 23/205 200/339
D534,875	S *	1/2007	Wu	.....	D13/169
D576,962	S *	9/2008	Kidman	.....	D13/169
D583,335	S *	12/2008	Ni	.....	D13/169
7,482,534	B2 *	1/2009	Ye	.....	H01H 3/0213 174/17 VA

7,667,155	B1 *	2/2010	Ni	.....	H01H 23/145 200/331
7,777,145	B2 *	8/2010	Burrell	.....	H05B 37/0263 200/330
8,658,893	B1 *	2/2014	Shotey	.....	H01H 11/0006 174/53
8,853,893	B2 *	10/2014	Savicki, Jr.	.....	H05B 33/0815 200/339
D744,952	S *	12/2015	Ni	.....	D13/139.3
9,843,144	B2 *	12/2017	Mortun	.....	H01R 13/7135
D830,976	S *	10/2018	Liao	.....	D13/169
D830,977	S *	10/2018	Liao	.....	D13/169
10,141,144	B2 *	11/2018	Zhuang	.....	H01H 50/021

(Continued)

**OTHER PUBLICATIONS**

Google image ,TP-LINK HS200 Smart light switch wireless, prior to Mar. 28, 20189, 1 pg.; [https://www.google.com/search?q=smart-switch&hl=en&biw=1536&bih=813&source=Int&tbs=cd:3A1%2Ccd\\_min%3A1%2Ccd\\_max%3A1%2F5%2F2018&tbn=isch#imgc=YJSn8PW-Qj5x5M:&spf=1554992781703.\\*](https://www.google.com/search?q=smart-switch&hl=en&biw=1536&bih=813&source=Int&tbs=cd:3A1%2Ccd_min%3A1%2Ccd_max%3A1%2F5%2F2018&tbn=isch#imgc=YJSn8PW-Qj5x5M:&spf=1554992781703.*)

(Continued)

*Primary Examiner* — Selina Sikder

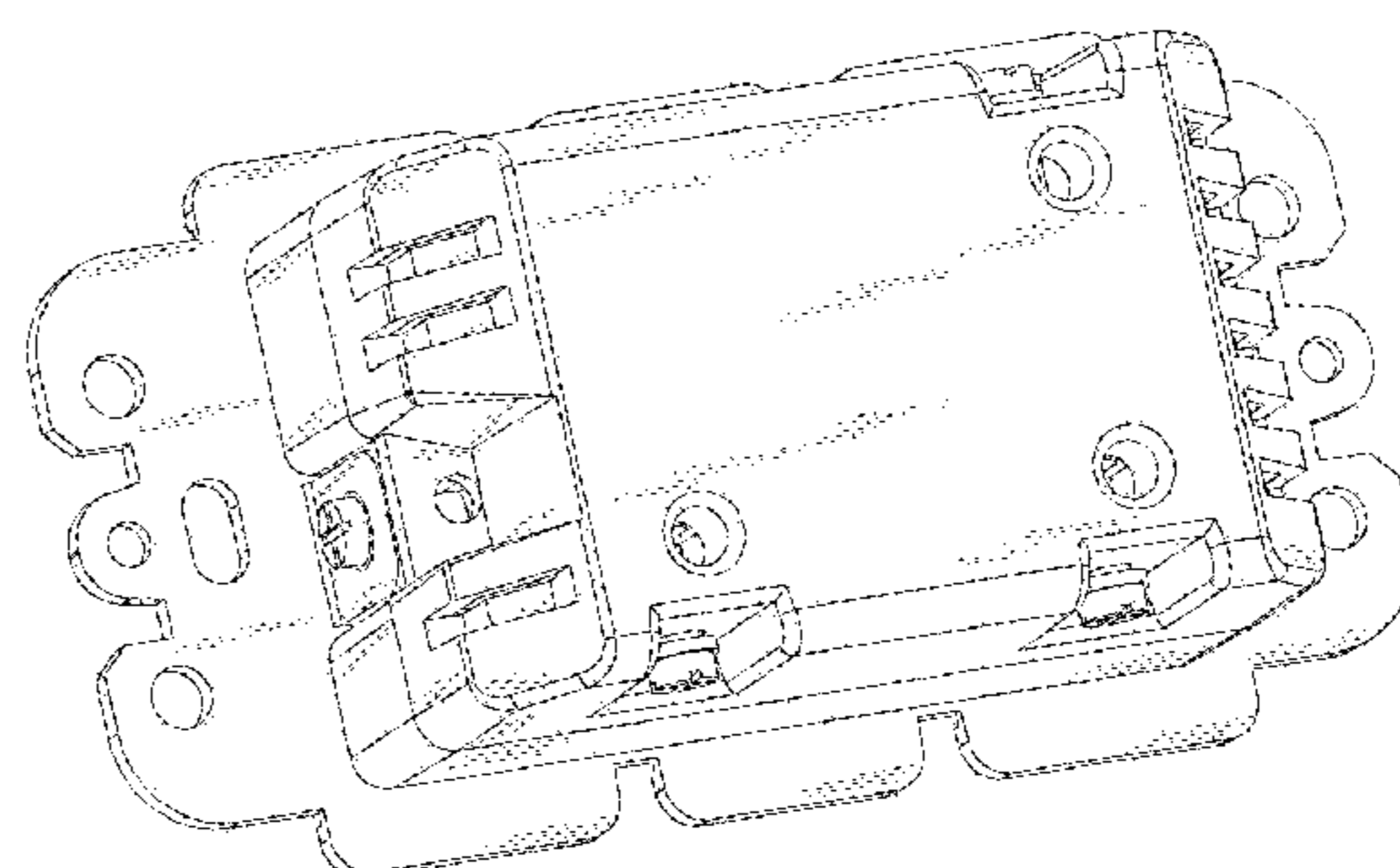
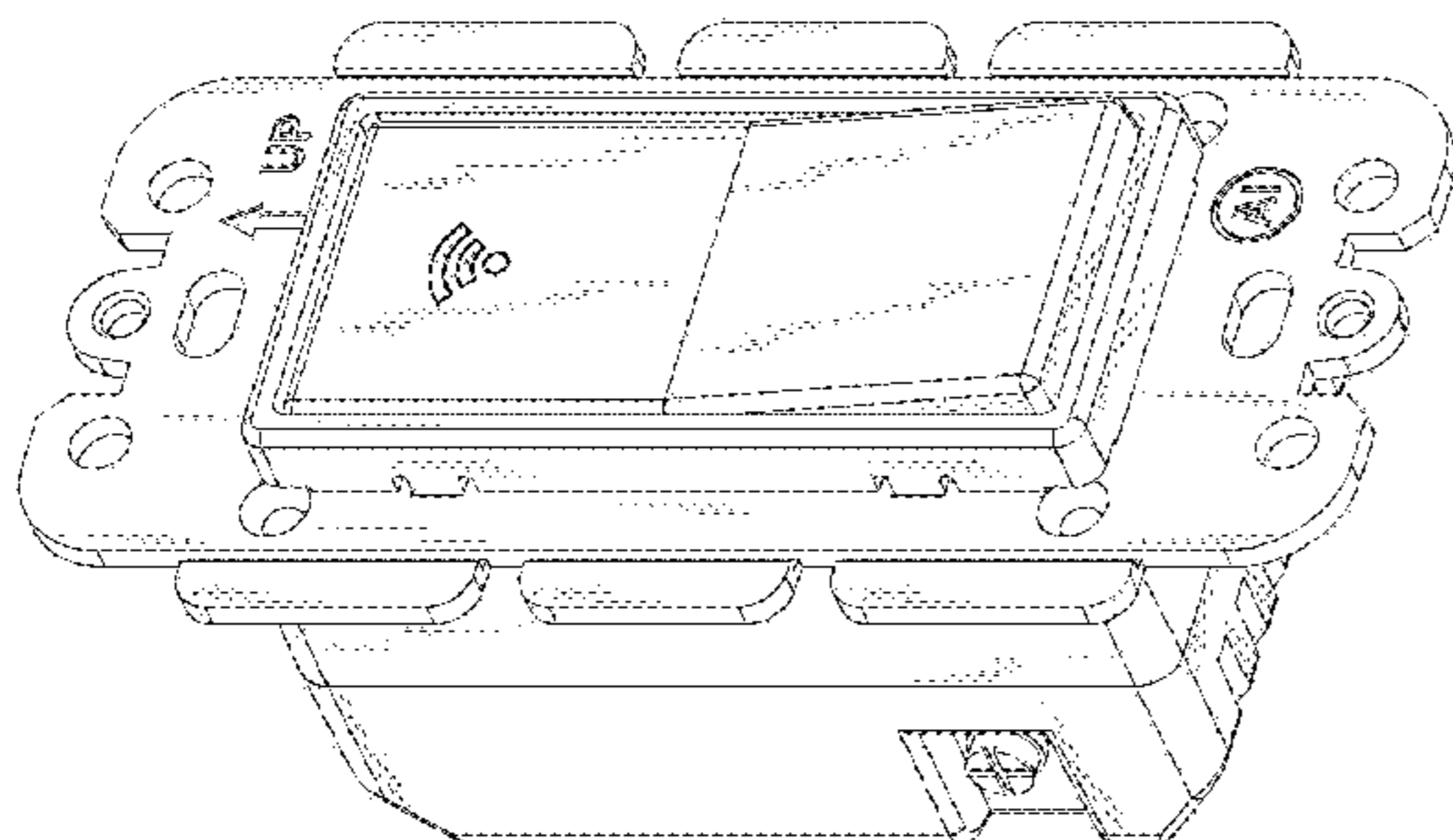
(57) **CLAIM**

I claim the ornamental design for a smart switch, as shown and described.

**DESCRIPTION**

FIG. 1 is a perspective view of a smart switch showing my new design;  
FIG. 2 is a front elevational view thereof;  
FIG. 3 is a rear elevational view thereof;  
FIG. 4 is a left side elevational view thereof;  
FIG. 5 is a right side elevational view thereof;  
FIG. 6 is a top plan view thereof;  
FIG. 7 is a bottom plan view thereof;  
FIG. 8 is a rear perspective view thereof;  
FIG. 9 is a bottom perspective view thereof; and,  
FIG. 10 is a right perspective view thereof.

**1 Claim, 10 Drawing Sheets**





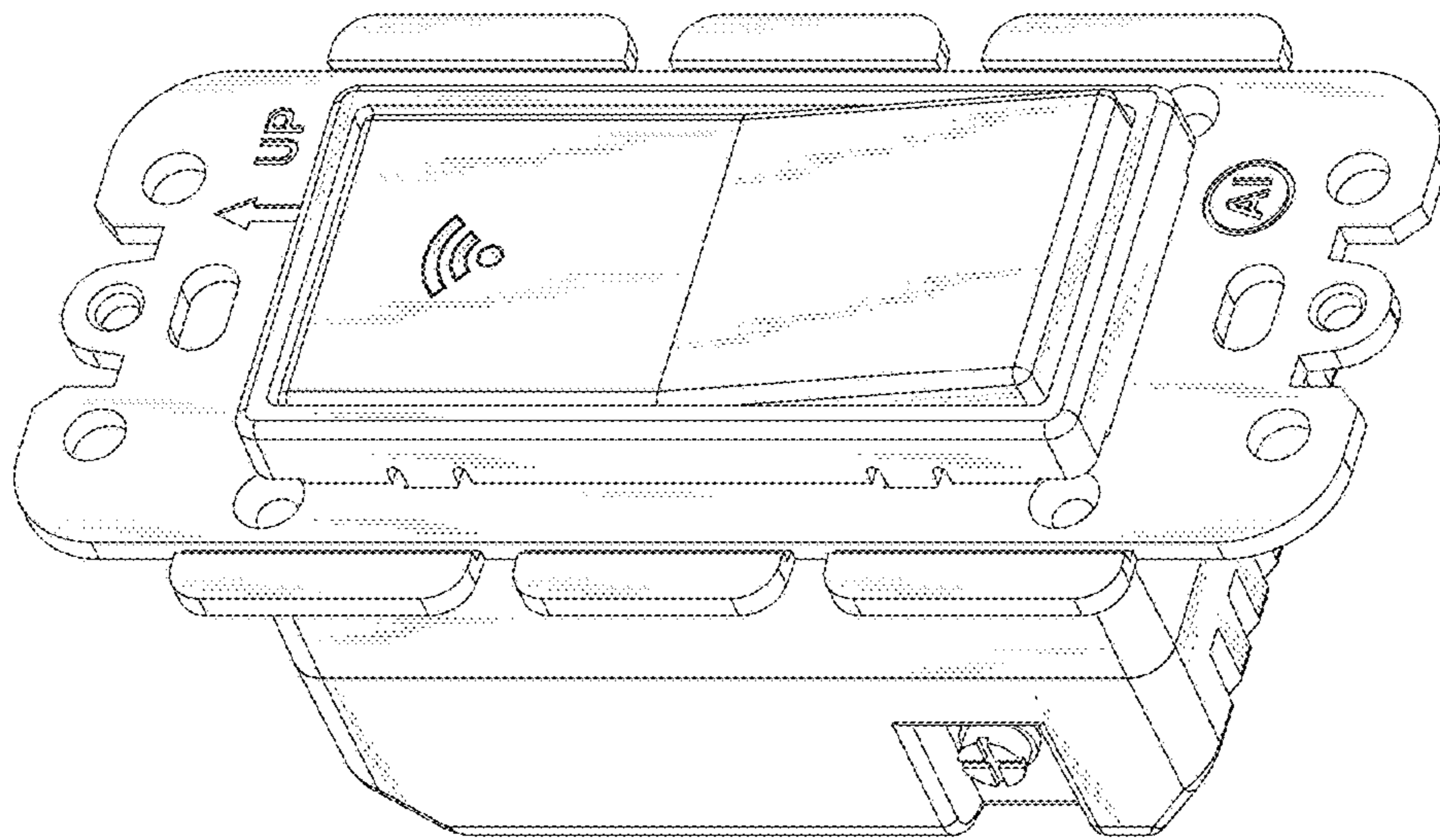


FIG.1

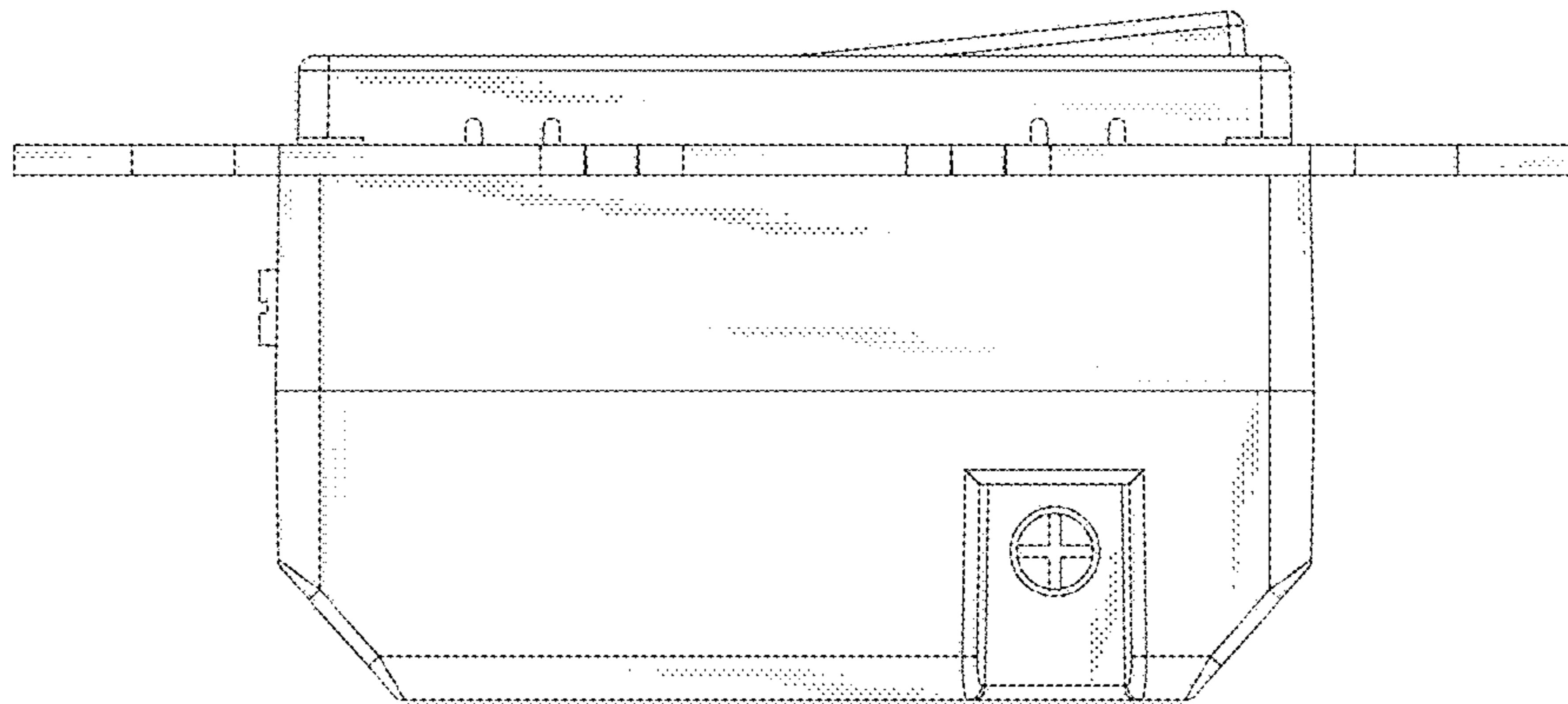


FIG.2

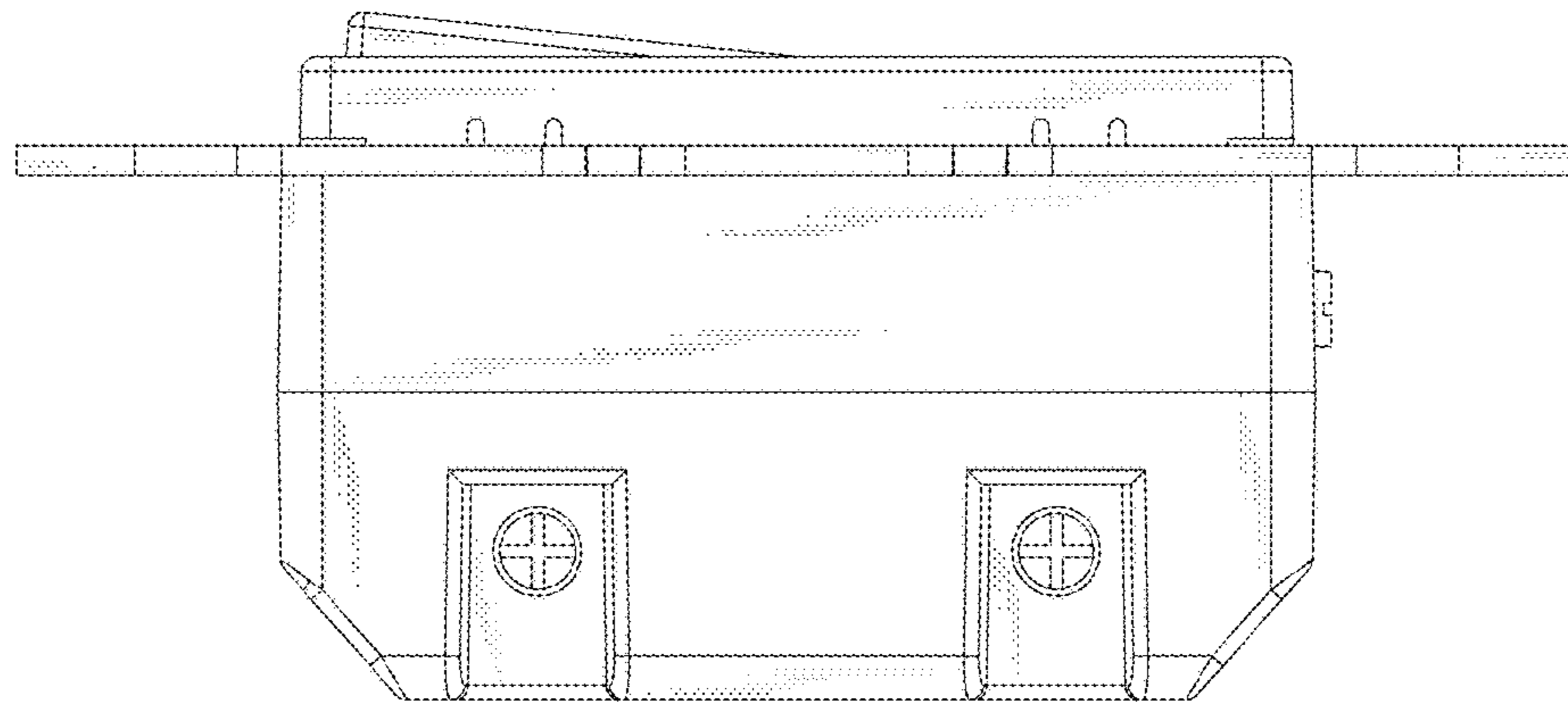


FIG.3

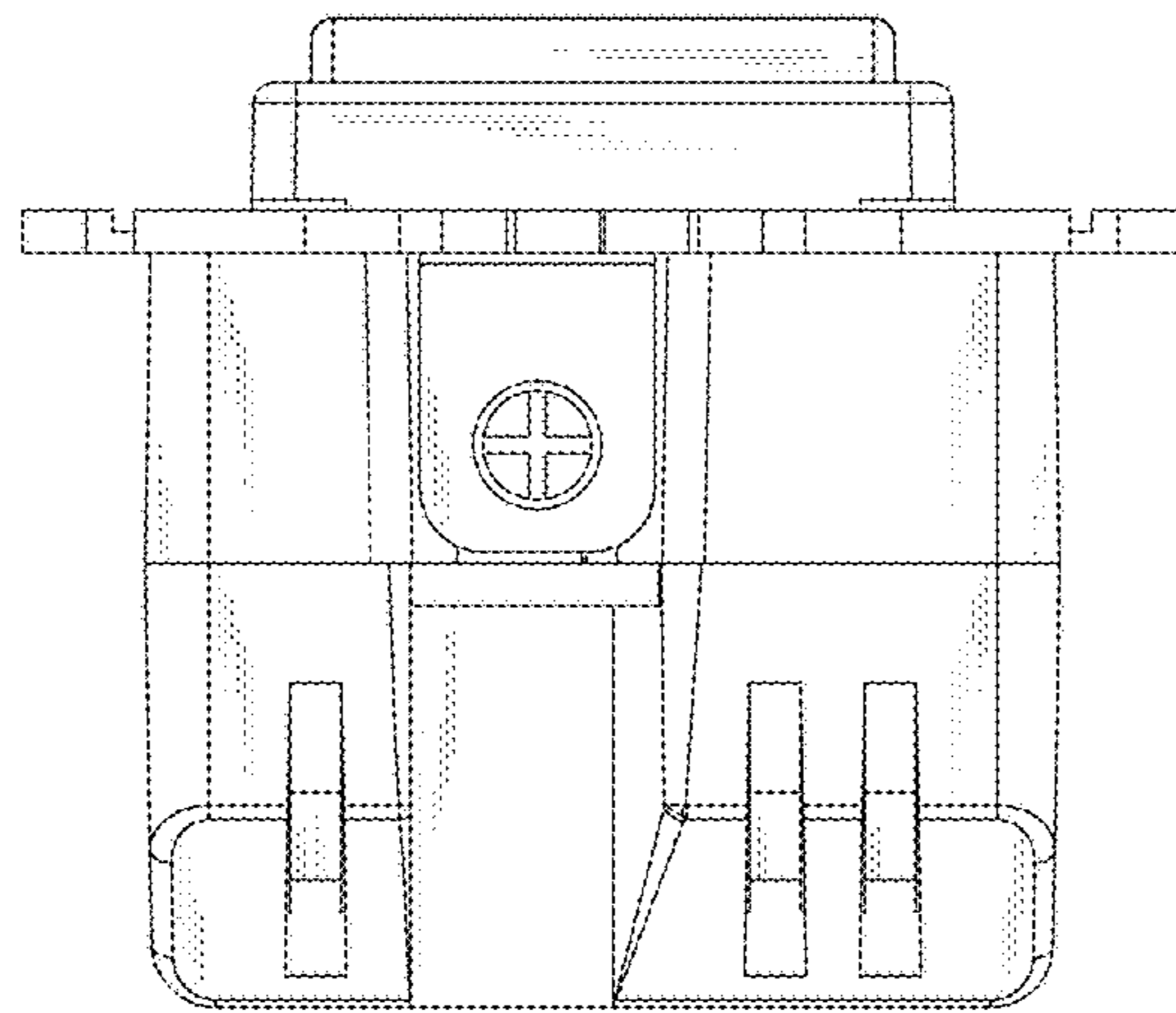


FIG.4

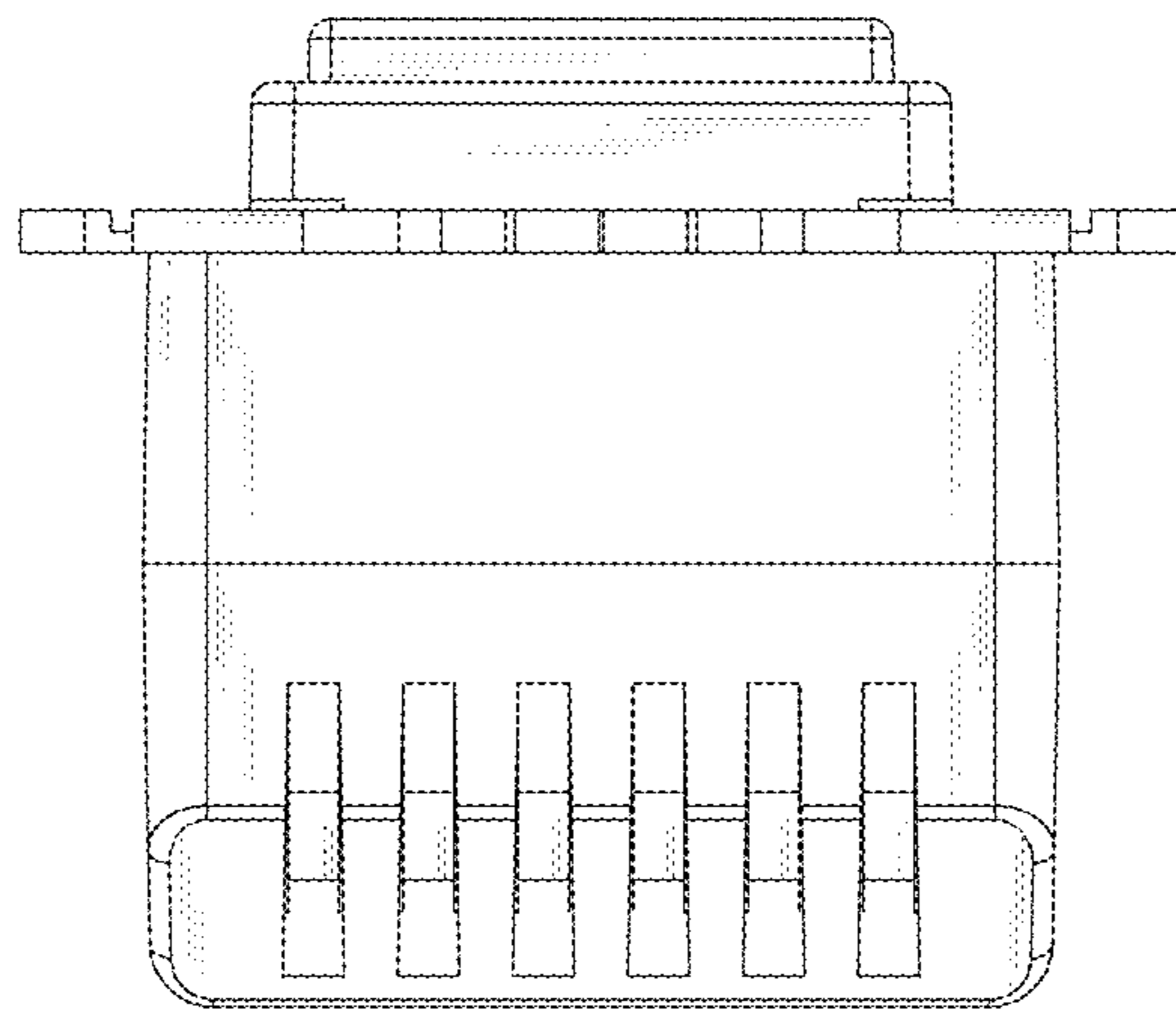


FIG.5

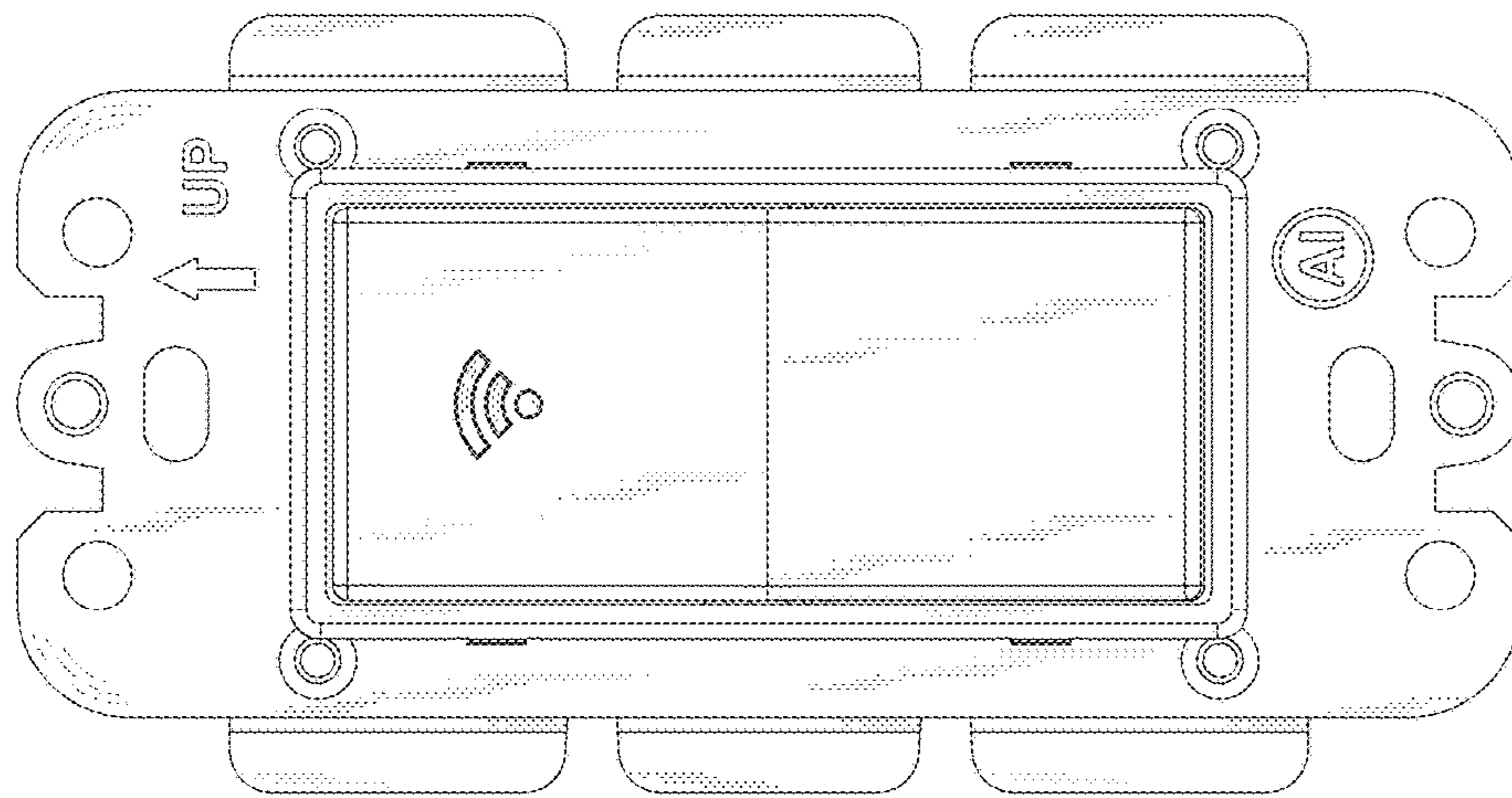


FIG.6



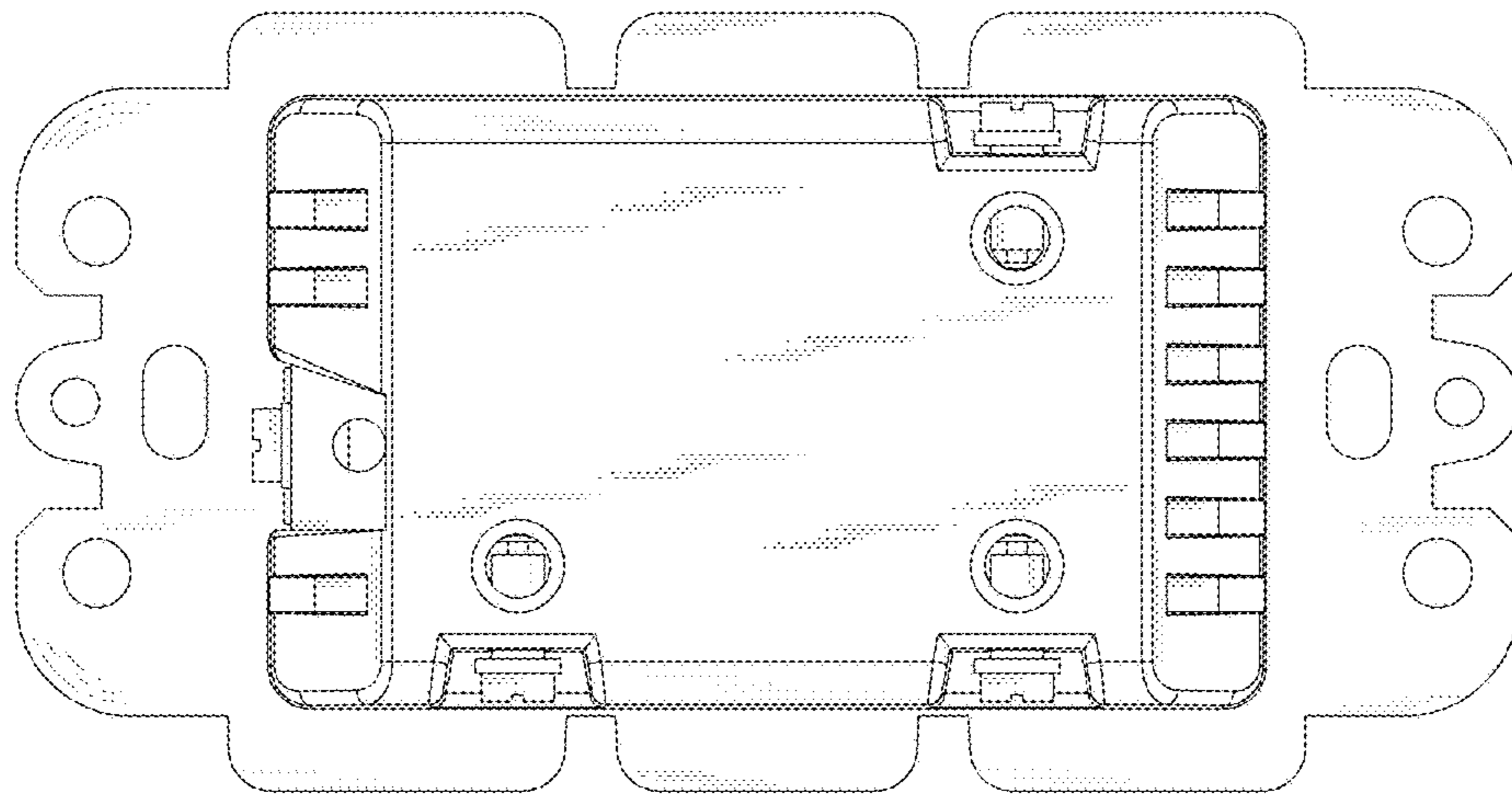


FIG.7

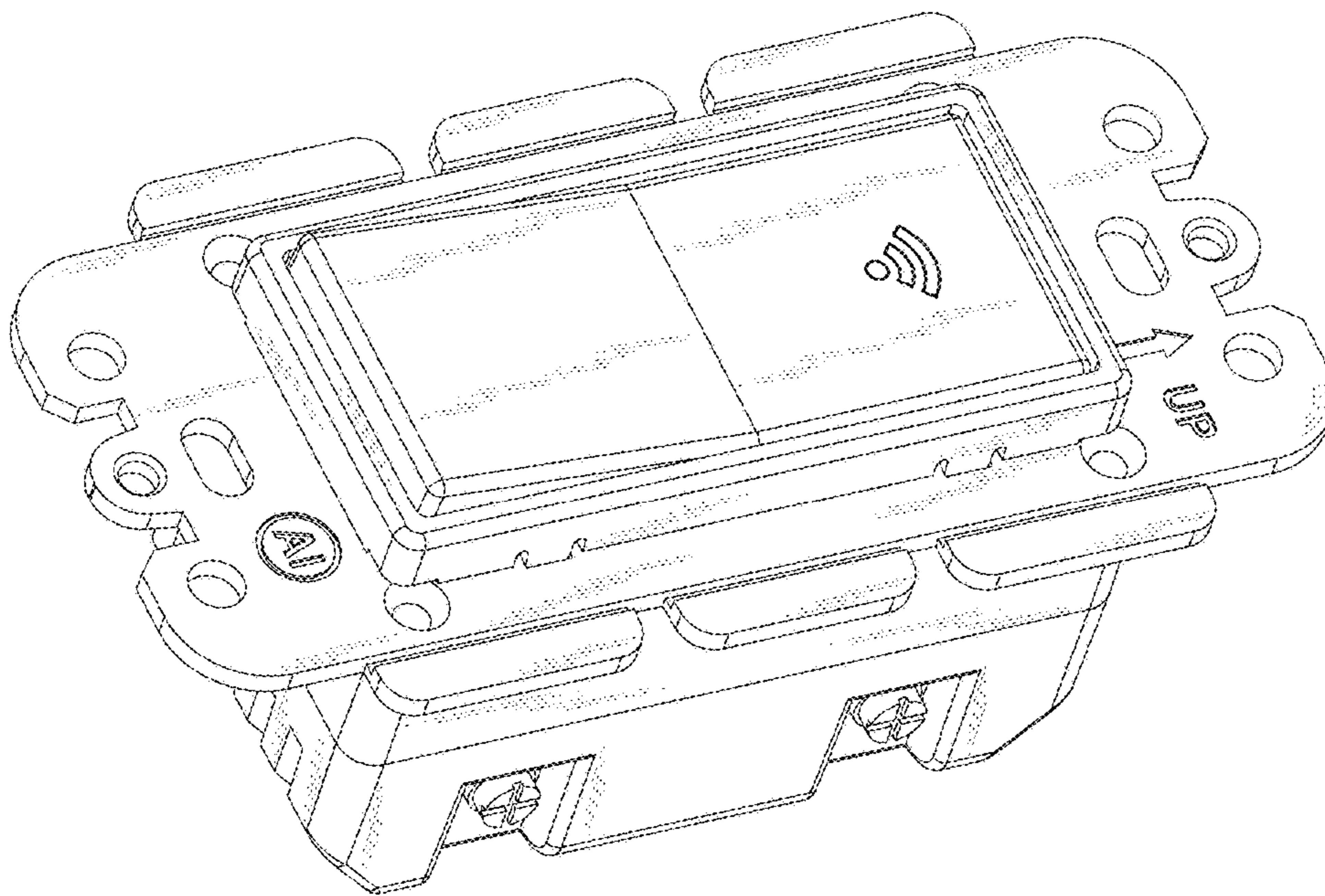


FIG.8

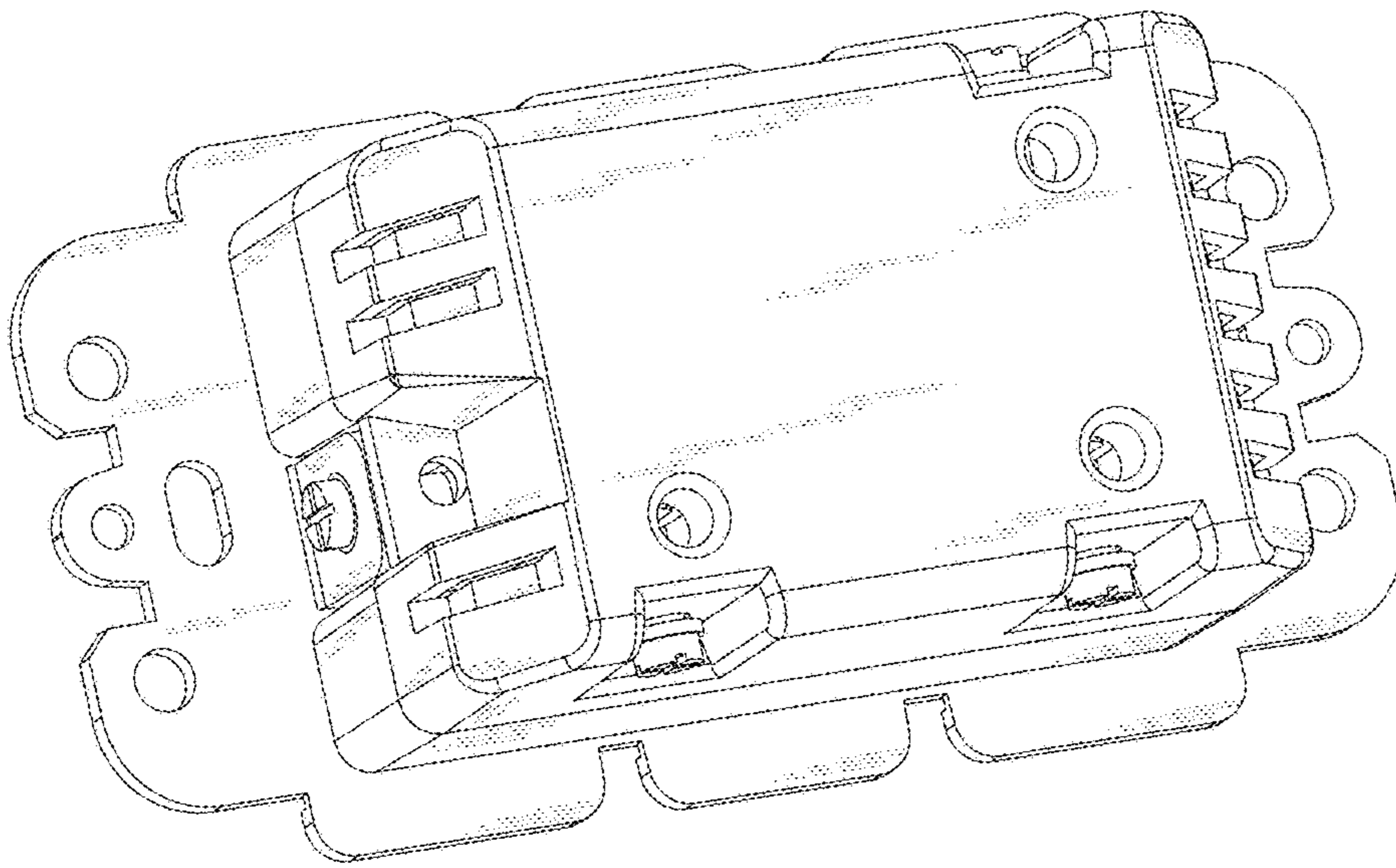


FIG.9

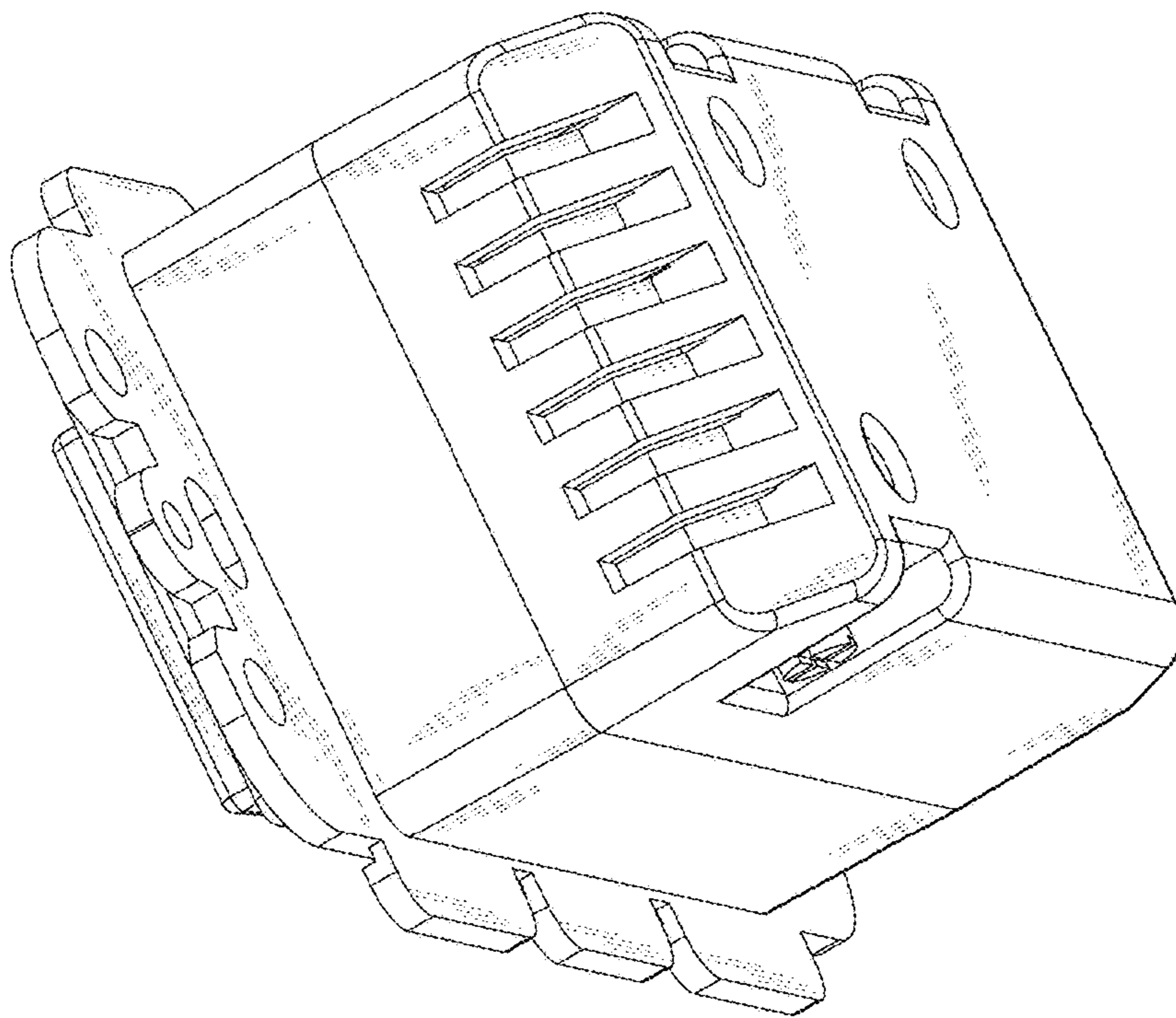


FIG.10