



US00D947793S

(12) **United States Design Patent**
Huang

(10) **Patent No.:** **US D947,793 S**

(45) **Date of Patent:** **** Apr. 5, 2022**

(54) **CONTROLLER FOR ELECTRIC BLANKET**

(71) Applicant: **Guangdong Laijun Electronic Technology Co., Ltd., Dongguan (CN)**

(72) Inventor: **Wanglai Huang, Dongguan (CN)**

(73) Assignee: **GUANGDONG LAIJUN ELECTRONIC TECHNOLOGY CO., LTD., Dongguan (CN)**

(**) Term: **15 Years**

(21) Appl. No.: **29/712,632**

(22) Filed: **Nov. 10, 2019**

(51) **LOC (13) Cl.** **14-03**

(52) **U.S. Cl.**
USPC **D13/168; D13/162**

(58) **Field of Classification Search**
USPC D13/168; D14/218
CPC G08C 17/02; G08C 19/00; G08C 19/12;
G08C 19/28; G08C 23/04; H04B 1/202;
H05B 45/00; H05B 47/10; H05B 47/19;
H03J 9/00; H03J 9/02; H03J 9/04; H03J
9/06; H03J 1/0025; H01H 9/0225; H01H
9/0228; H01H 9/0235; F21S 4/00; F21S
4/10; F21S 4/28

See application file for complete search history.

(56) **References Cited**

U.S. PATENT DOCUMENTS

D429,221 S * 8/2000 Picozza D13/168
D435,834 S * 1/2001 Picozza D13/168
D436,579 S * 1/2001 Mayo D13/162
D437,298 S * 2/2001 Picozza D13/168

D487,727 S * 3/2004 Sjogren D13/162
D569,352 S * 5/2008 Gordon D13/168
D571,308 S * 6/2008 Gastelum D13/168
D576,564 S * 9/2008 Hewson D13/162
D581,371 S * 11/2008 Richmond D13/168
D857,635 S * 8/2019 PrevotEAU D13/162

OTHER PUBLICATIONS

Biddeford Blankets, Pure Warmth 5901-9081 RM Electric Heated Mattress Pad; Feb. 13, 2019,; 2 pgs.*
Sunbeam Electric Blanket Controller; Jun. 11, 2019; 2 pgs.*
Sunbeam Electric Blanket Controller; 5 heat Settings; Mar. 31, 2019; 2 pgs.*
Sunbeam dual controller; queue size; Jan. 21, 2018; 2 pgs.*

* cited by examiner

Primary Examiner — Selina Sikder

(74) *Attorney, Agent, or Firm* — Leong C. Lei

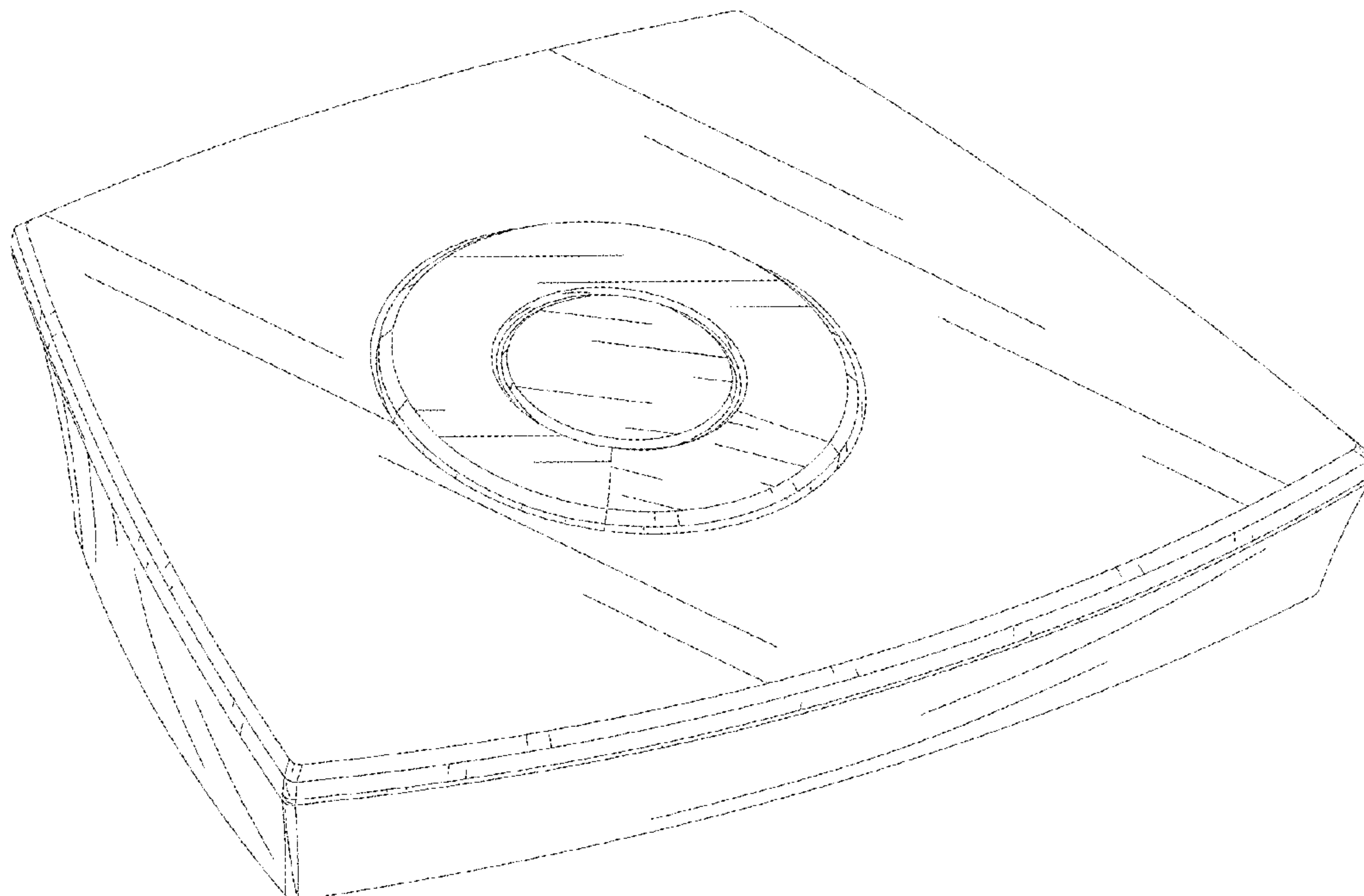
(57) **CLAIM**

The ornamental design for a controller for electric blanket, as shown and described.

DESCRIPTION

FIG. 1 is a perspective view of a controller for electric blanket showing my new design;
FIG. 2 is a front elevational view thereof;
FIG. 3 is a rear elevational view thereof;
FIG. 4 is a left side elevational view thereof;
FIG. 5 is a right side elevational view thereof;
FIG. 6 is a top plan view thereof;
FIG. 7 is a bottom plan view thereof; and,
FIG. 8 is a front and top side perspective view.
The broken lines in the drawings illustrate portions of the controller for electric blanket which form no part of the claimed design.

1 Claim, 8 Drawing Sheets



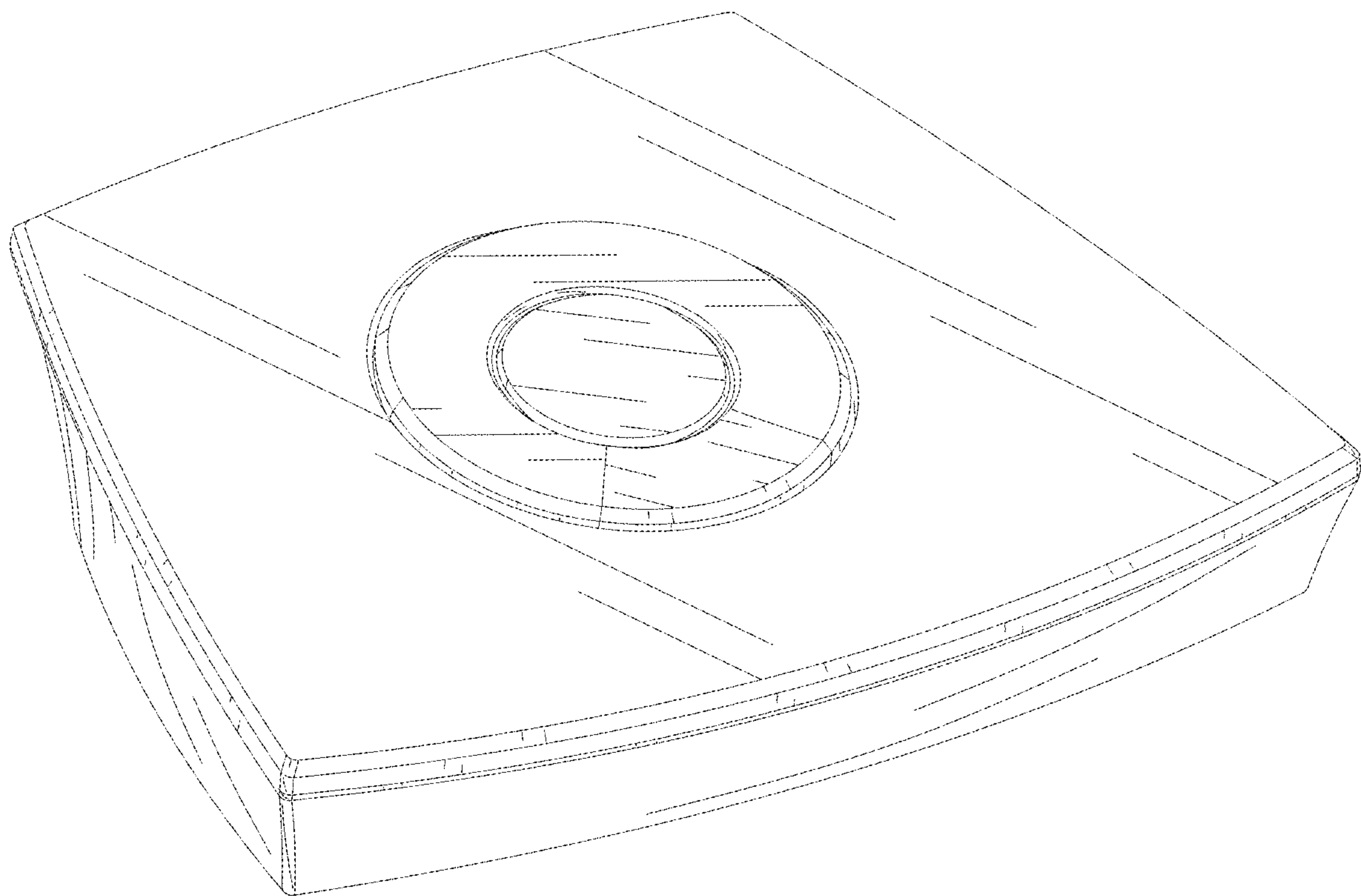


FIG. 1

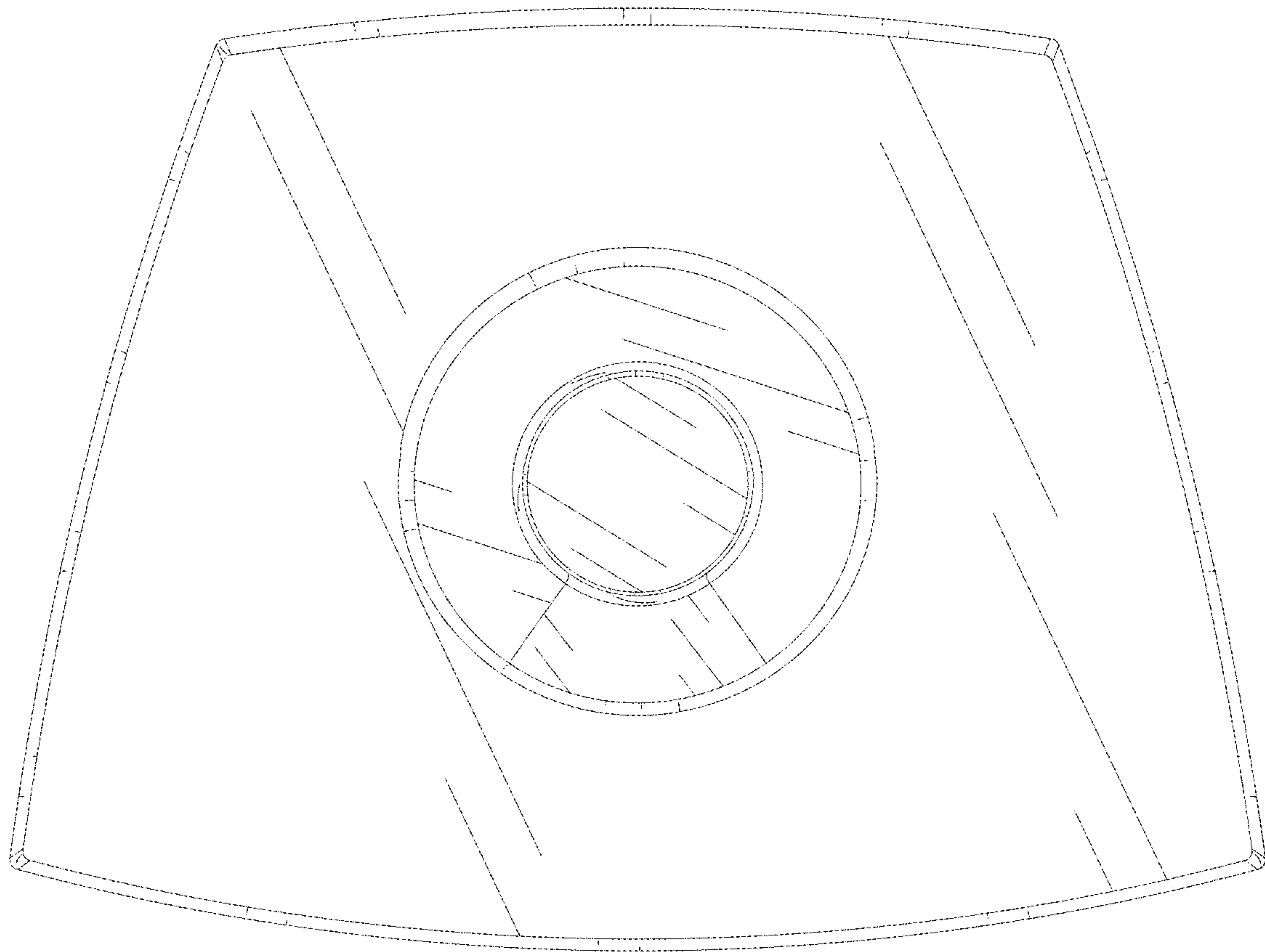


FIG. 2

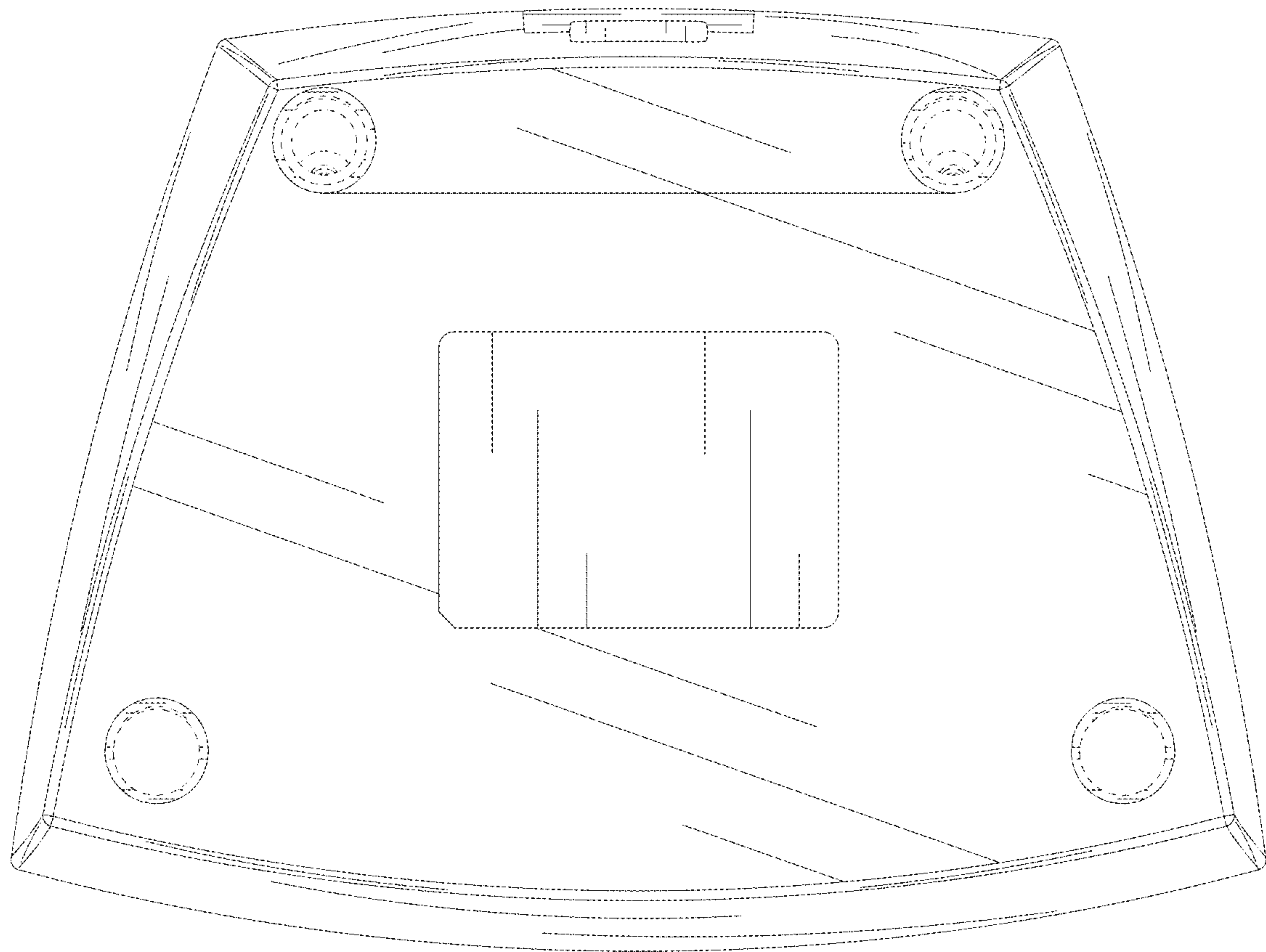


FIG. 3

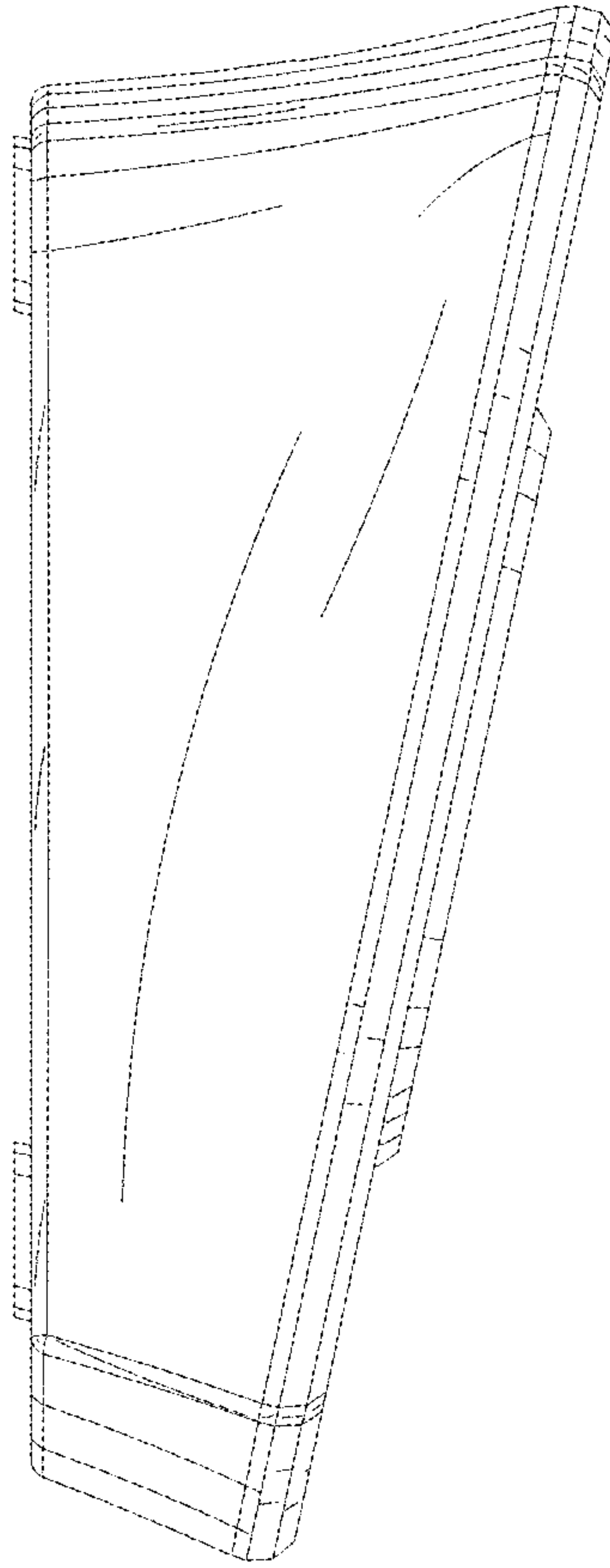


FIG. 4

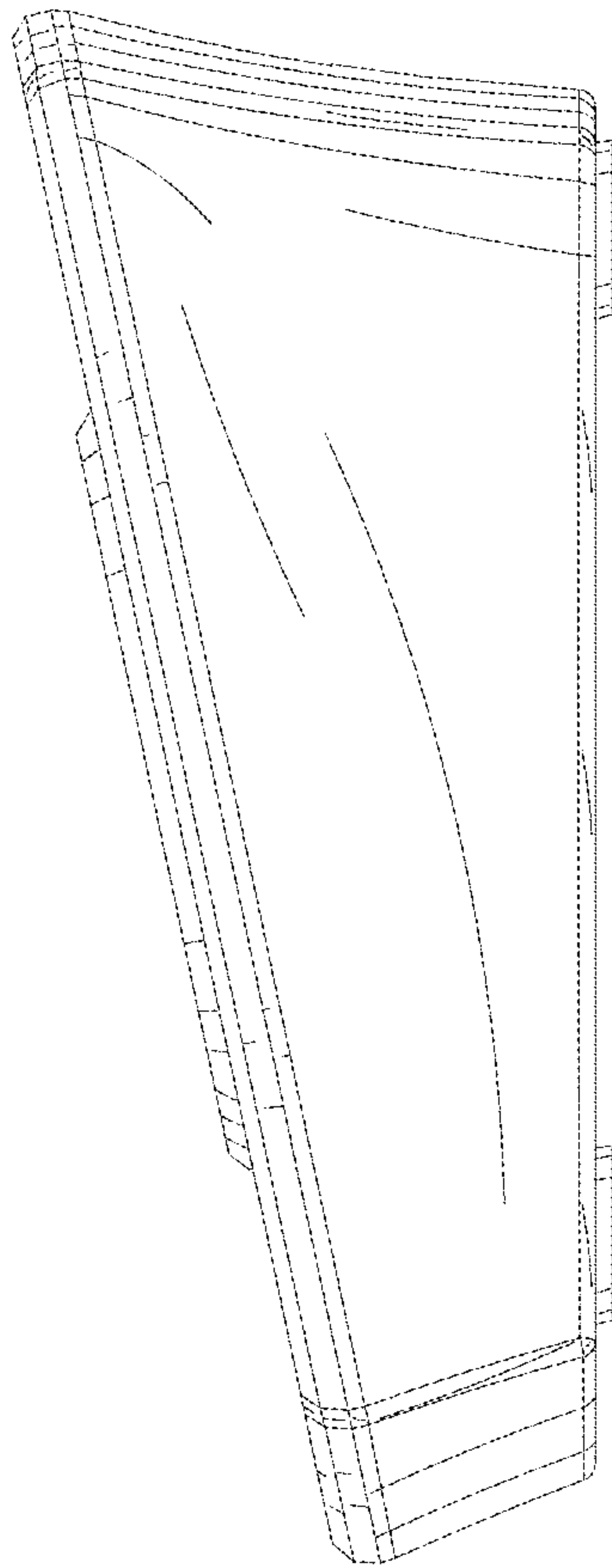


FIG. 5

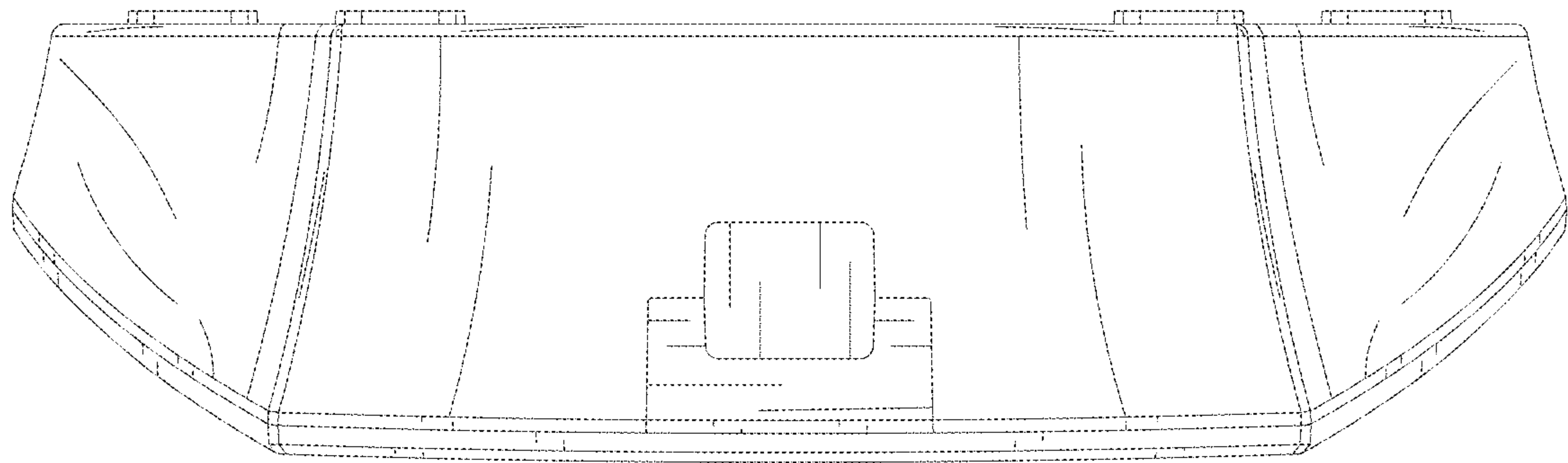


FIG. 6

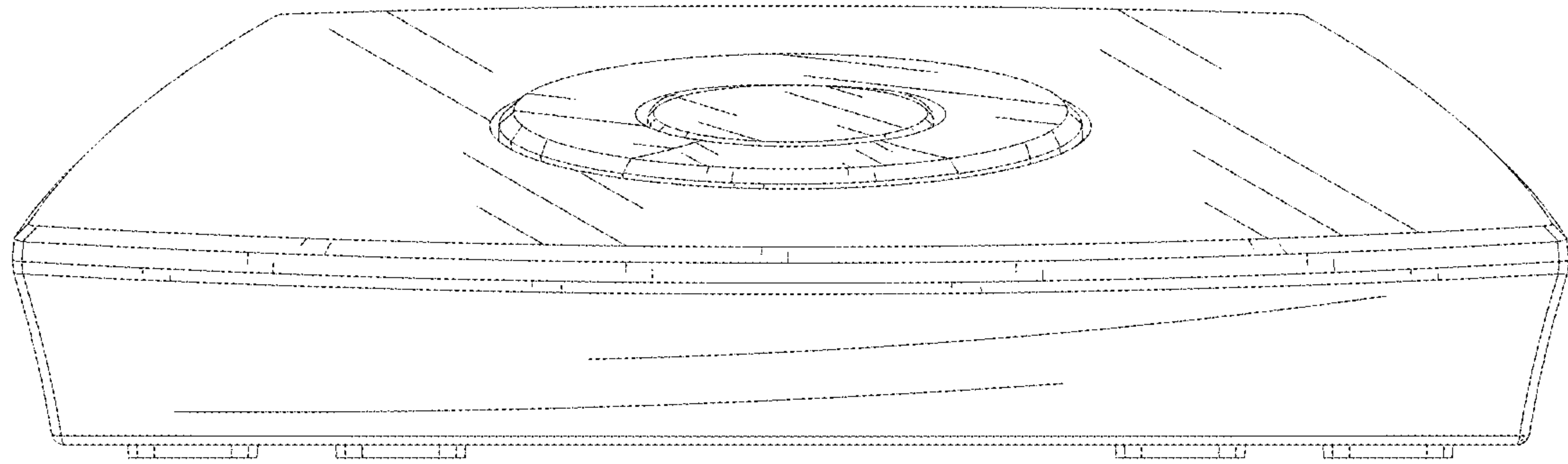


FIG. 7

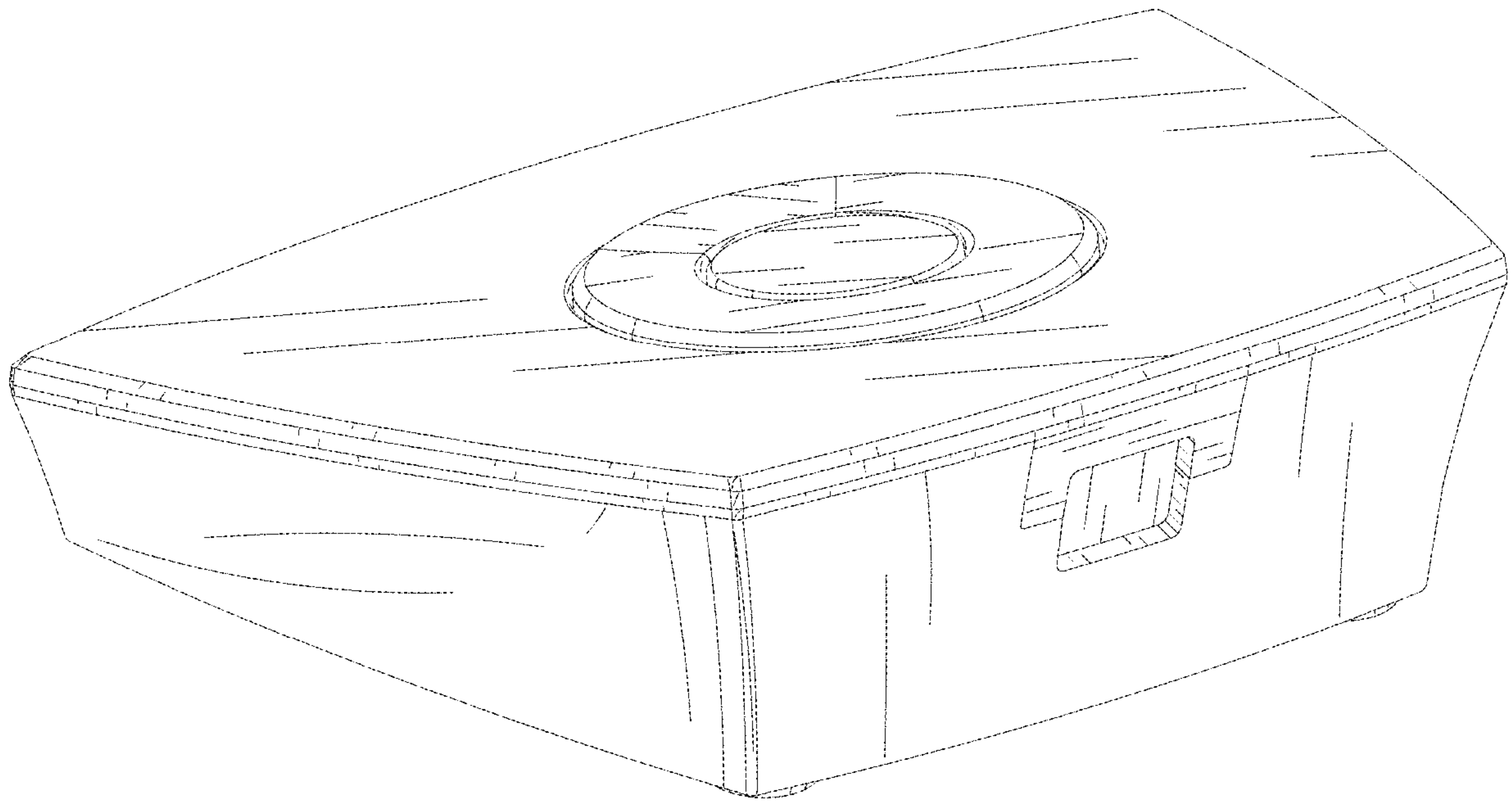


FIG. 8