



US00D947789S

(12) **United States Design Patent** (10) **Patent No.:** **US D947,789 S**
Yamazaki et al. (45) **Date of Patent:** **** Apr. 5, 2022**

(54) **ELECTRIC CONNECTION TERMINAL**

(71) Applicant: **HOSIDEN CORPORATION**, Osaka (JP)

(72) Inventors: **Masakazu Yamazaki**, Osaka (JP);
Hayato Kondo, Osaka (JP)

(73) Assignee: **Hosiden Corporation**, Osaka (JP)

(**) Term: **15 Years**

(21) Appl. No.: **29/755,869**

(22) Filed: **Oct. 23, 2020**

(30) **Foreign Application Priority Data**

May 22, 2020 (JP) 2020-010016 D

(51) **LOC (13) Cl.** **13-03**

(52) **U.S. Cl.**
USPC **D13/154**

(58) **Field of Classification Search**
USPC D13/118, 119, 122, 133, 146, 147, 154,
D13/156, 182, 199; D15/138; D23/249,
D23/269; D8/382, 399
CPC H01R 13/64; H01R 13/436; H01R 13/502;
H01R 13/504; H01R 13/506; G02B
6/381; G02B 6/3813; G02B 6/3816;
E04G 15/00; E04G 15/06

See application file for complete search history.

(56) **References Cited**

U.S. PATENT DOCUMENTS

D401,252 S * 11/1998 Tudhope D15/138
D550,621 S * 9/2007 Vuorio D13/118
D559,363 S * 1/2008 Darce D23/269
7,387,288 B2 * 6/2008 Hull F16L 25/0045
249/91

D573,948 S * 7/2008 Itagaki D13/119
D635,934 S * 4/2011 Shen D13/155
D755,125 S * 5/2016 Denpoya D13/133
D757,907 S * 5/2016 Foreman D23/249
D794,585 S * 8/2017 Nabeya D13/182
D799,437 S * 10/2017 Nabeya D13/182
D835,582 S * 12/2018 Wang D13/133
2013/0286669 A1 * 10/2013 Moser F21V 17/16
362/382

* cited by examiner

Primary Examiner — Derrick E Holland

(74) *Attorney, Agent, or Firm* — Dilworth & Barrese,
LLP

(57) **CLAIM**

The ornamental design for an electric connection terminal,
as shown and described.

DESCRIPTION

FIG. 1 is front view of an electric connection terminal showing my new design;
FIG. 2 is a rear view thereof;
FIG. 3 is a left side view thereof;
FIG. 4 is a top plan view thereof;
FIG. 5 is a front perspective view thereof;
FIG. 6 is a rear perspective view thereof;
FIG. 7 is an end view thereof taken along the line 7-7 of FIG. 1;
FIG. 8 is a reference cross sectional view thereof showing a condition in use; and,
FIG. 9 is a reference disassembled perspective view thereof showing a condition in use.
A right side view and a bottom view are omitted because the right side view is symmetrical to the left side view and the bottom view is symmetrical to the top plan view.
The broken lines in drawings are directed to environment and form no part of the claimed design.

1 Claim, 9 Drawing Sheets

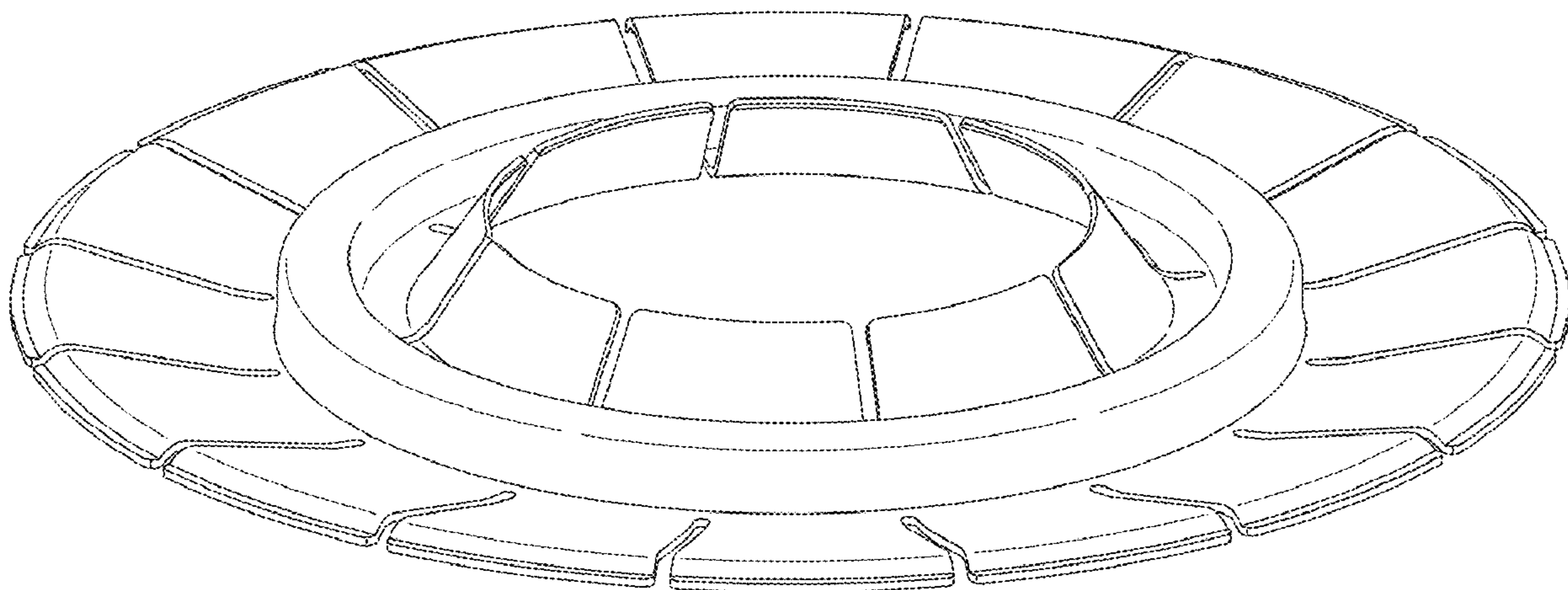


Fig.1

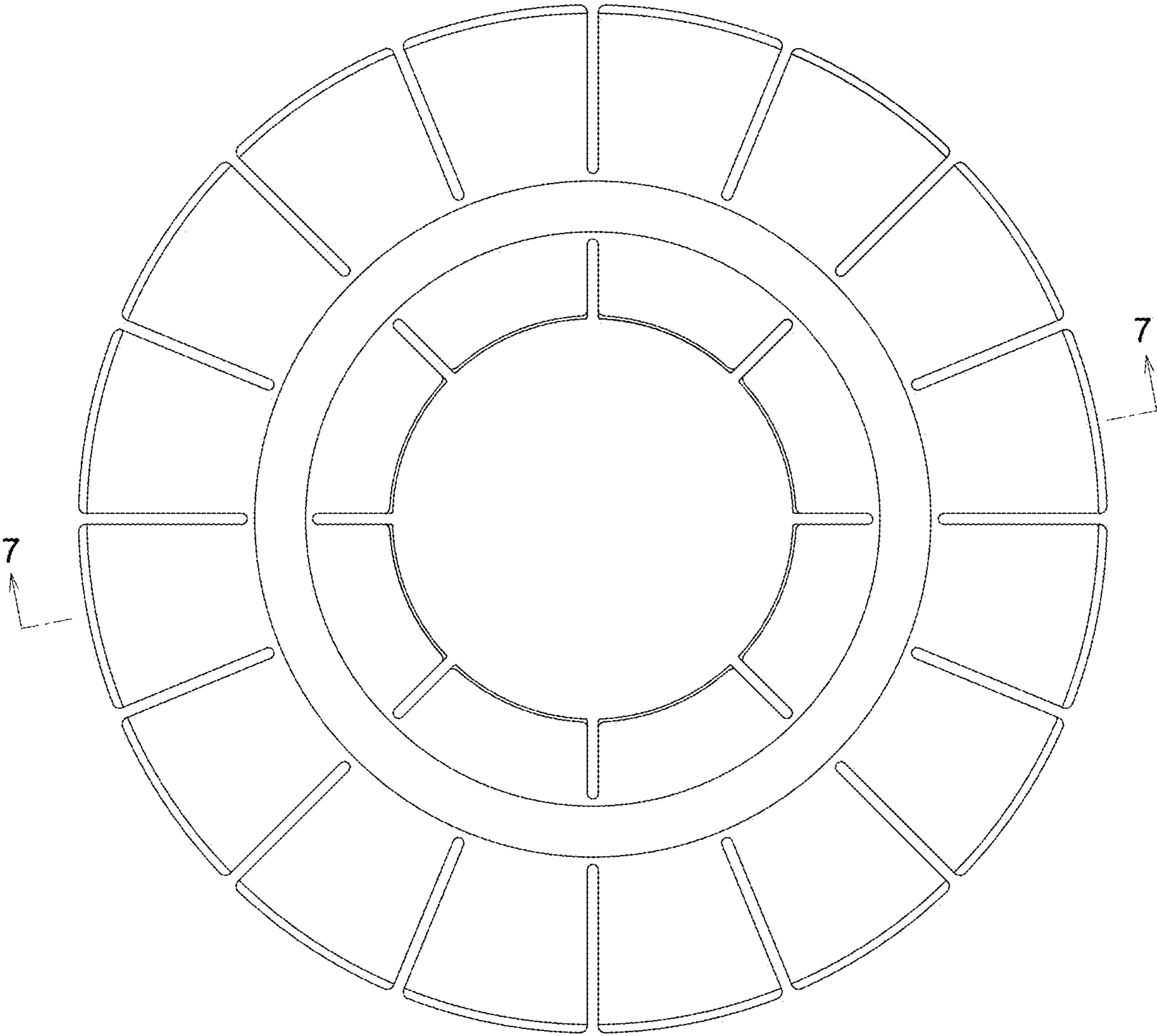


Fig.2

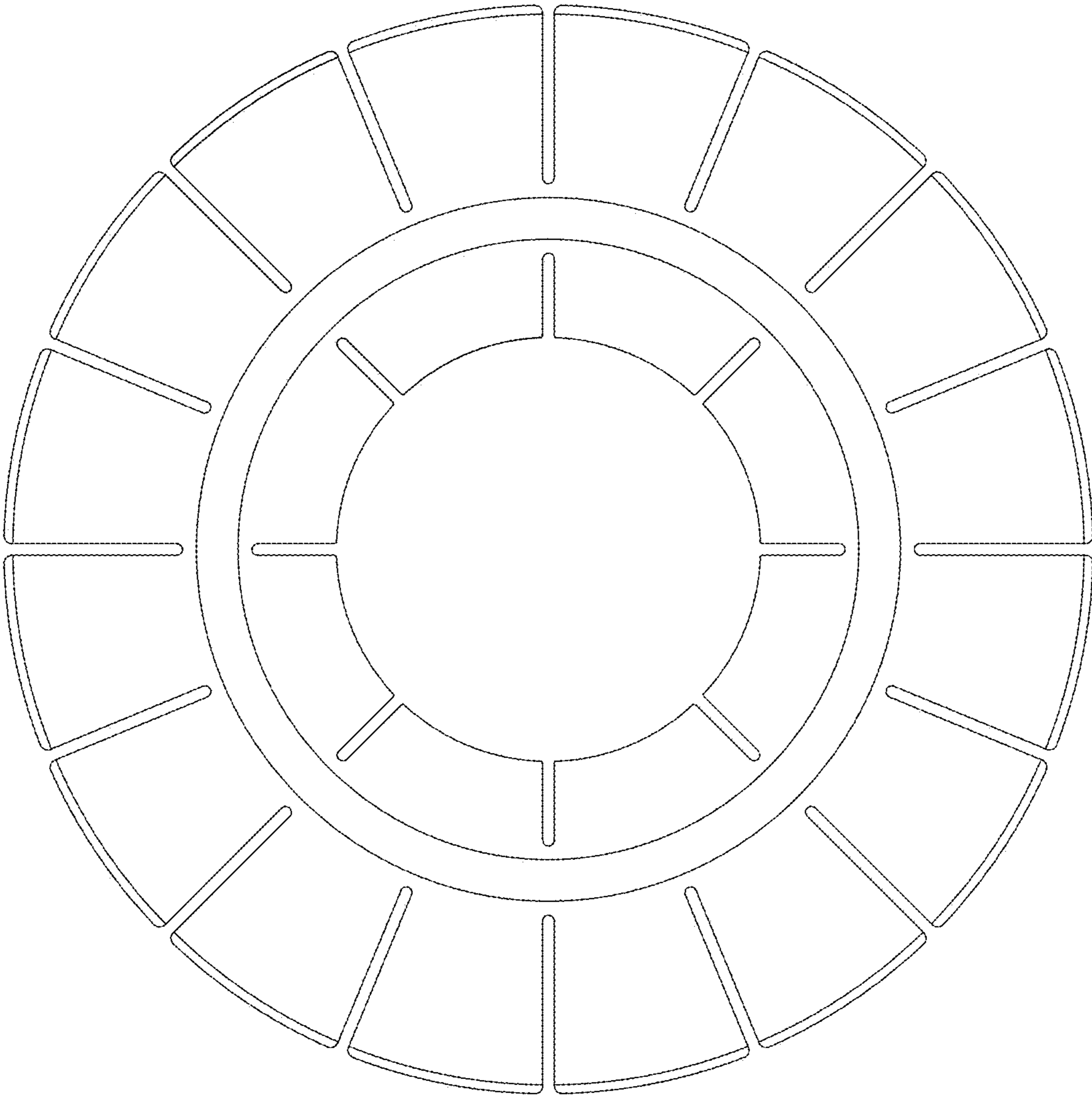


Fig.3

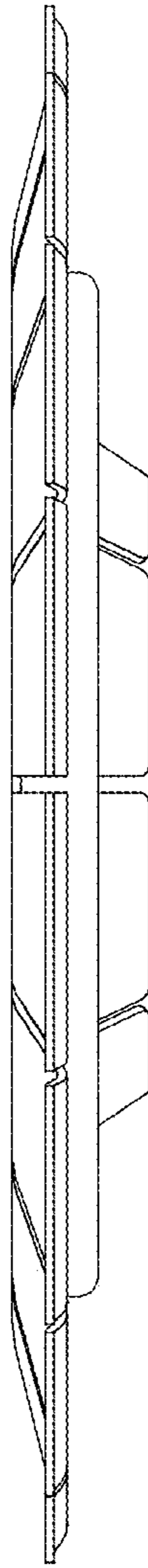


Fig.4

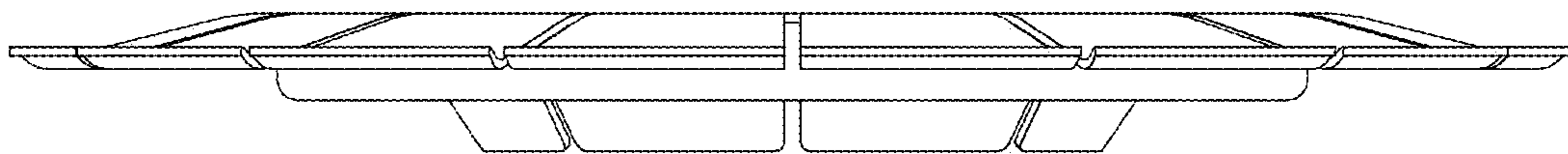


Fig.5

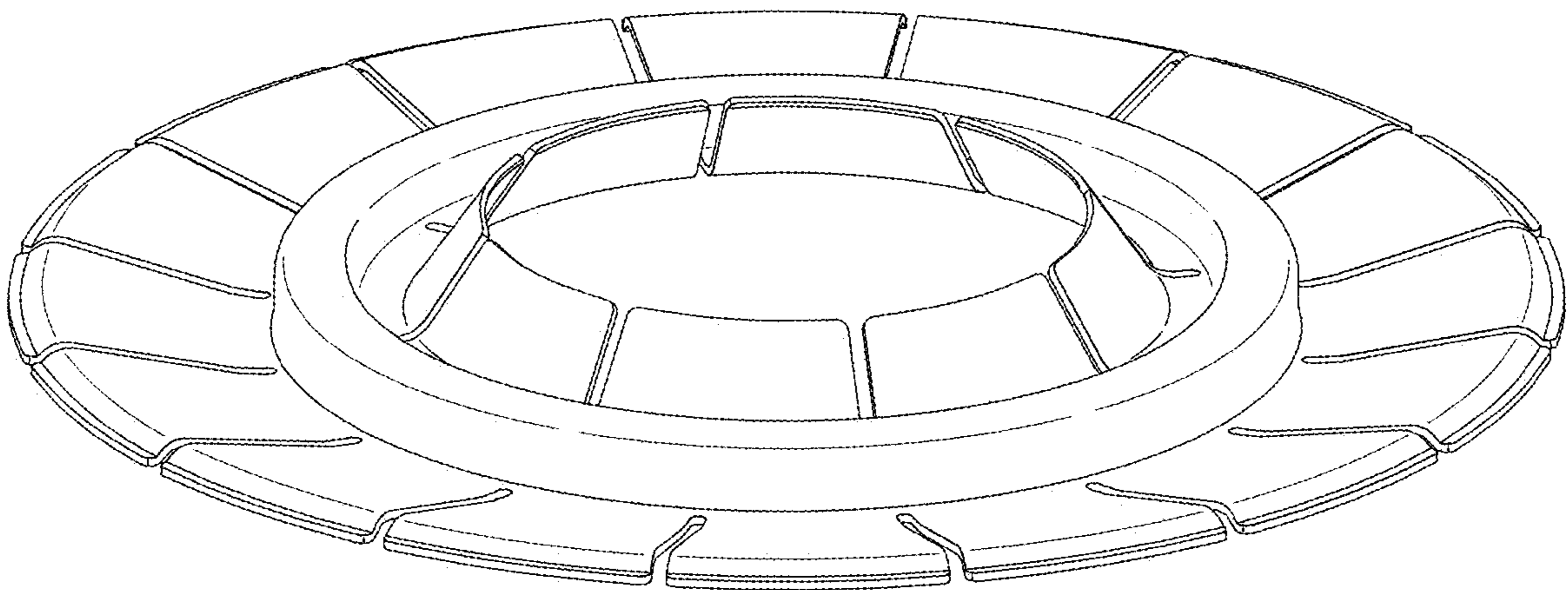


Fig.6

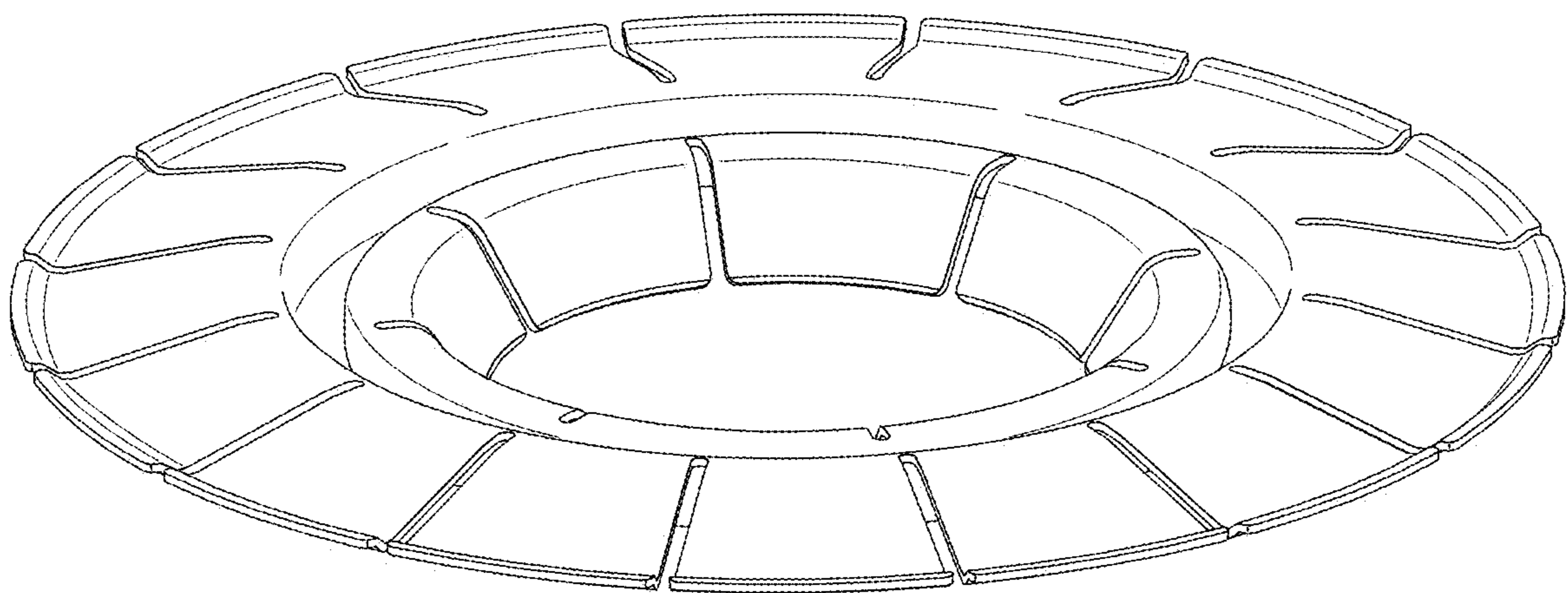


Fig.7

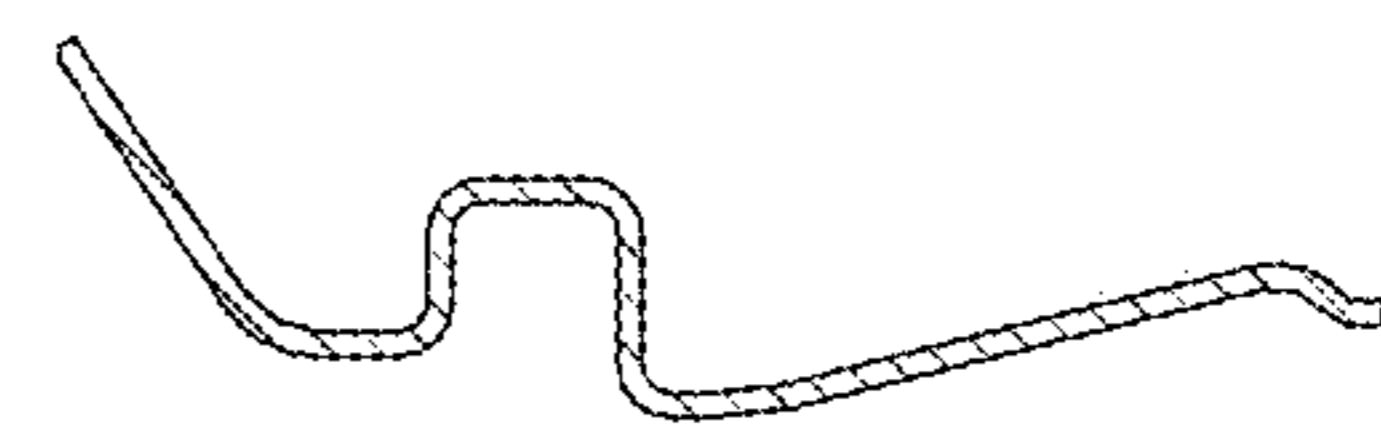
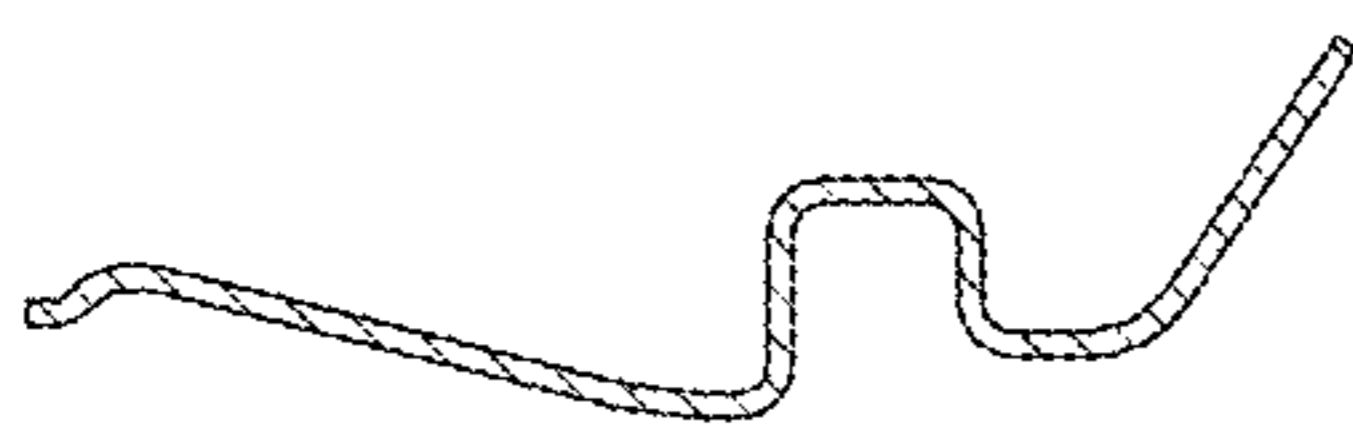


Fig.8

