



US00D947788S

(12) **United States Design Patent**
O’Hanlan

(10) **Patent No.:** **US D947,788 S**

(45) **Date of Patent:** **** Apr. 5, 2022**

(54) **POWER AND AUDIO ADAPTER BOX**

(71) Applicant: **BookerLab, LLC**, Liberty, SC (US)

(72) Inventor: **Thomas B. O’Hanlan**, Liberty, SC (US)

(73) Assignee: **BookerLab, LLC**, Liberty, SC (US)

(**) Term: **15 Years**

(21) Appl. No.: **29/720,678**

(22) Filed: **Jan. 15, 2020**

(51) **LOC (13) Cl.** **13-03**

(52) **U.S. Cl.**
USPC **D13/152**

(58) **Field of Classification Search**
USPC D13/110, 112, 123, 152, 154, 158–160,
D13/173, 184, 199; D14/204, 214, 221,
D14/224
CPC . F16M 11/00; F16M 13/02; F21S 8/02; F21S
8/04; H02G 3/06; H02G 3/08; H02G
3/12; H02G 3/18
See application file for complete search history.

(56) **References Cited**

U.S. PATENT DOCUMENTS

D336,302 S *	6/1993	Kwang	D14/140.4
D341,353 S *	11/1993	O	D13/152
D366,025 S *	1/1996	Siemon	D13/154
D397,085 S *	8/1998	Blase	D13/118
D457,140 S *	5/2002	Roesch	D13/152
D459,312 S *	6/2002	Roesch	D13/152
D461,455 S *	8/2002	Forbes	D13/152
D475,967 S *	6/2003	Tsergas	D13/122
D513,495 S *	1/2006	Hull	D13/152
D525,946 S *	8/2006	Chung	D13/152
D535,949 S *	1/2007	Kiely	D13/152
D563,896 S *	3/2008	Greenslate	D10/104.1
D700,893 S *	3/2014	Thomas	D13/152
D713,828 S *	9/2014	Stifal	D14/239

D723,472 S *	3/2015	Glisson, Jr.	D13/152
D735,170 S *	7/2015	Colvin	D14/224
D744,431 S *	12/2015	Hagarty	D13/152

(Continued)

FOREIGN PATENT DOCUMENTS

JP	2005081120 A *	3/2005
JP	2014113862 A *	6/2014

Primary Examiner — Shawn T Gingrich

(74) *Attorney, Agent, or Firm* — JK Intellectual Property Law, PA

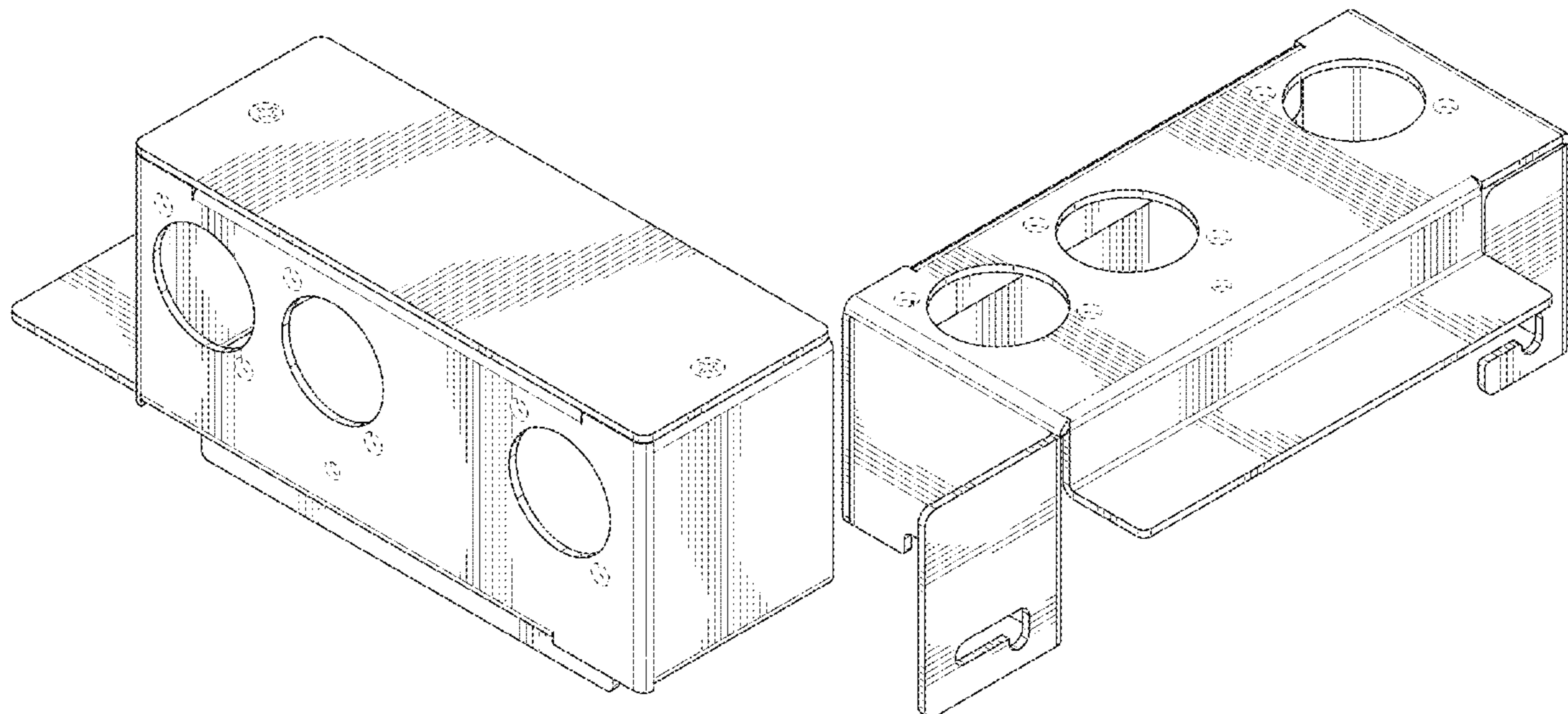
(57) **CLAIM**

The ornamental design for a power and audio adapter box, as shown and described.

DESCRIPTION

FIG. 1 is an isometric, upper front view of the power and audio adapter box according to the present design; FIG. 2 is an isometric, lower front view thereof; FIG. 3 is a front view thereof; FIG. 4 is a rear view thereof; FIG. 5 is a top view thereof; FIG. 6 is a bottom view thereof; FIG. 7 is a left side view thereof; FIG. 8 is a right side view thereof; FIG. 9 is an isometric, upper front view thereof, showing locations of connector sockets to be attached to openings in the front surface of the box; and, FIG. 10 is a front view thereof, showing the box according to the present design installed on a musical amplifier. Broken lines in FIGS. 1-10 showing elements of the power and audio adapter box indicate the bounds of the claimed design and unclaimed subject matter. Additional broken lines in FIG. 10 showing the musical amplifier illustrate the environment in which the article embodying the claimed design is used. Elements shown in broken lines form no part of the claimed design.

1 Claim, 8 Drawing Sheets



(56)

References Cited

U.S. PATENT DOCUMENTS

D758,979	S *	6/2016	Moon	D13/184
D772,815	S *	11/2016	Chen	D13/118
D835,037	S *	12/2018	Reynolds	D13/110
D938,920	S *	12/2021	O'Hanlan	D13/152
2004/0123996	A1 *	7/2004	Lalancette	H02G 3/12
				174/50
2008/0053698	A1 *	3/2008	Purves	H02G 3/16
				174/520
2013/0153256	A1 *	6/2013	Laughlin	H02G 3/18
				174/50
2017/0268758	A1 *	9/2017	Buck	H05K 5/03
2018/0275363	A1 *	9/2018	Wang	H02G 3/0493
2019/0109445	A1 *	4/2019	Leese	H02G 3/085

* cited by examiner

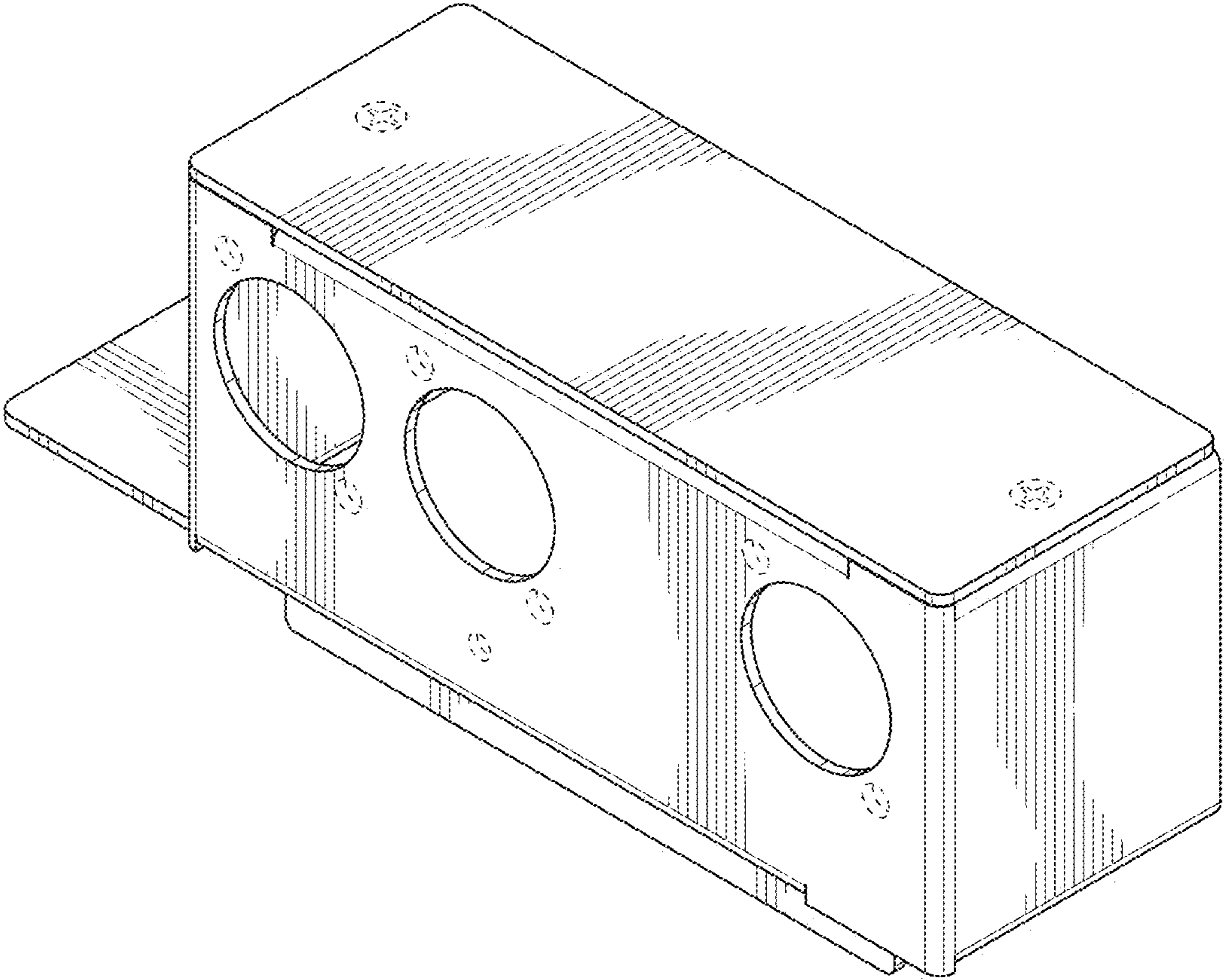


FIG. 1

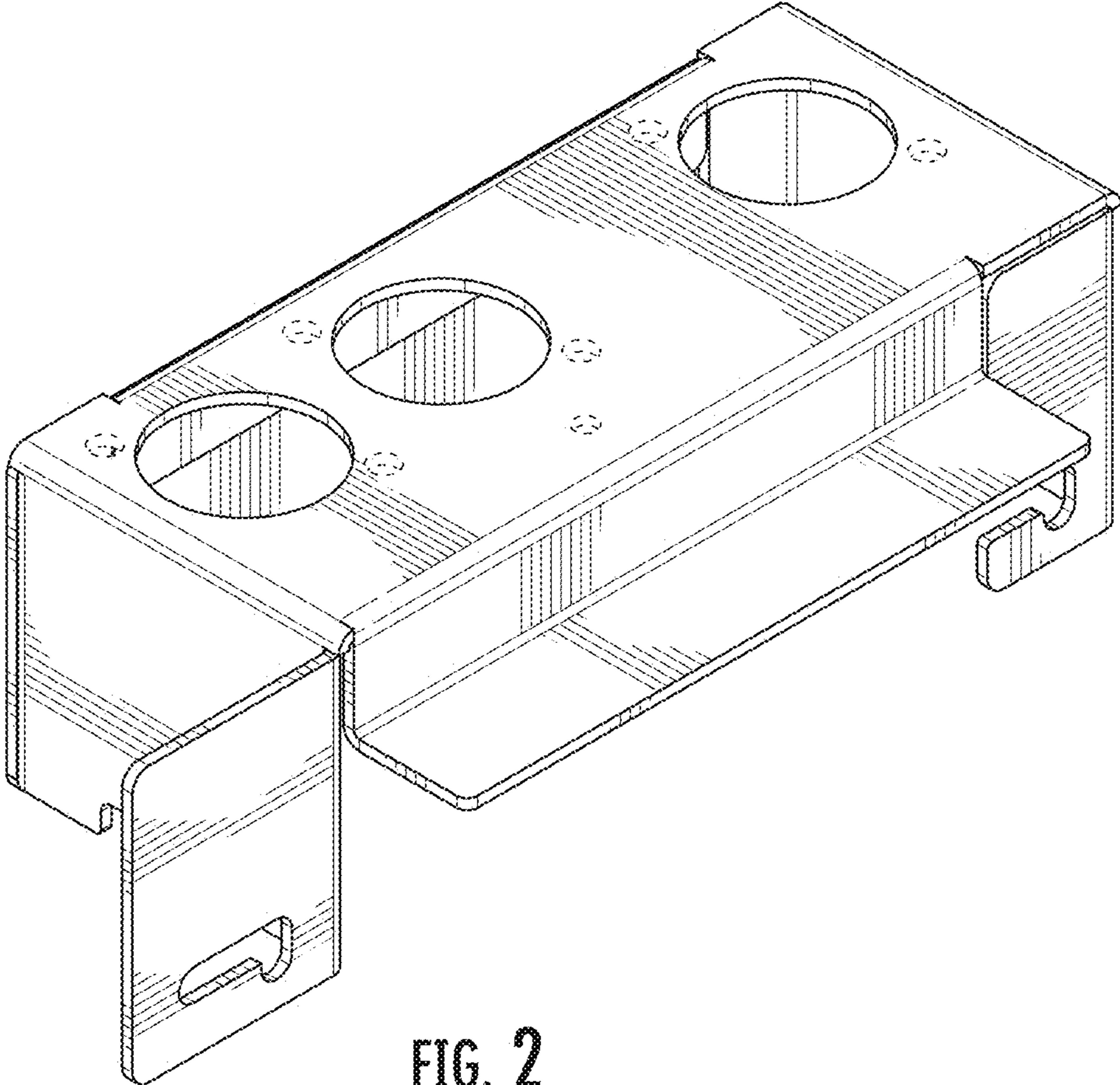


FIG. 2

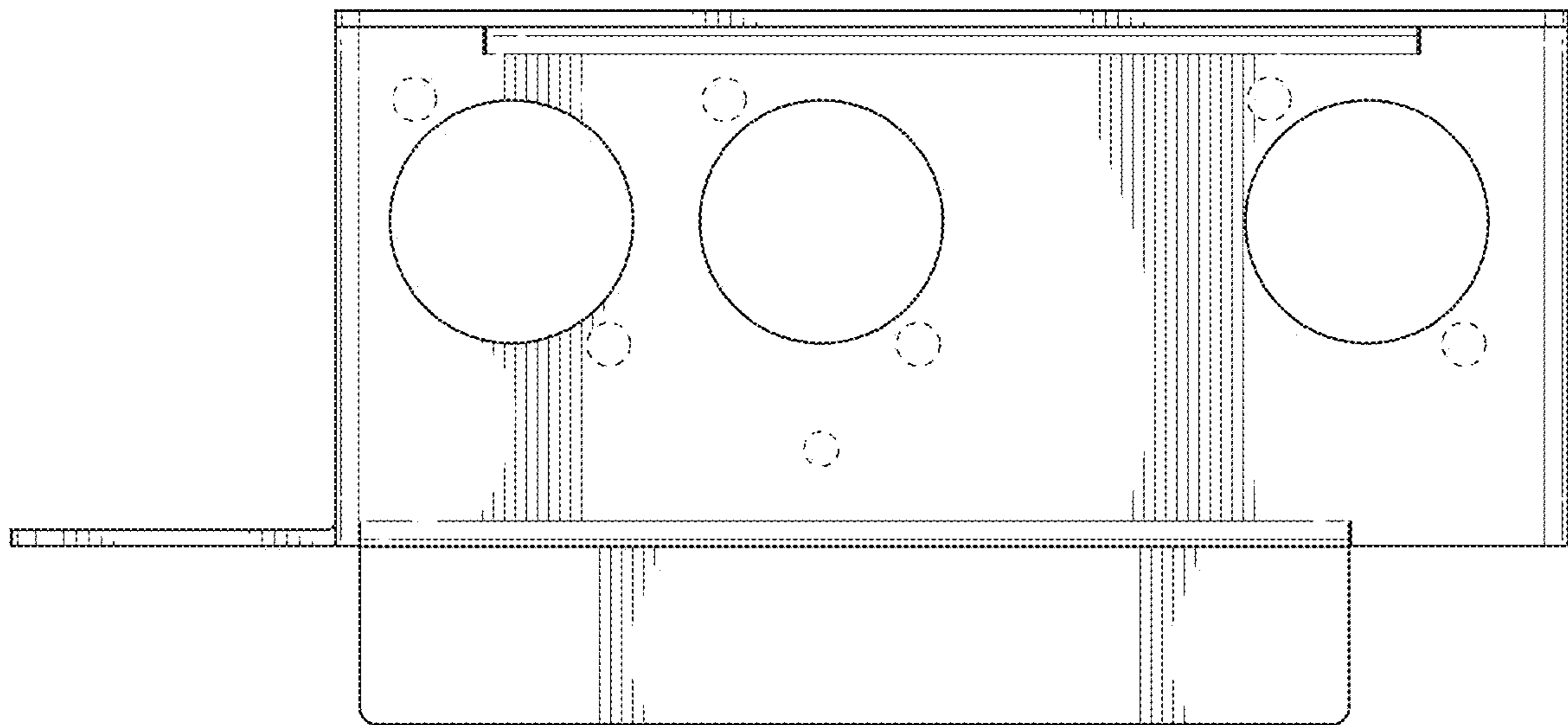


FIG. 3

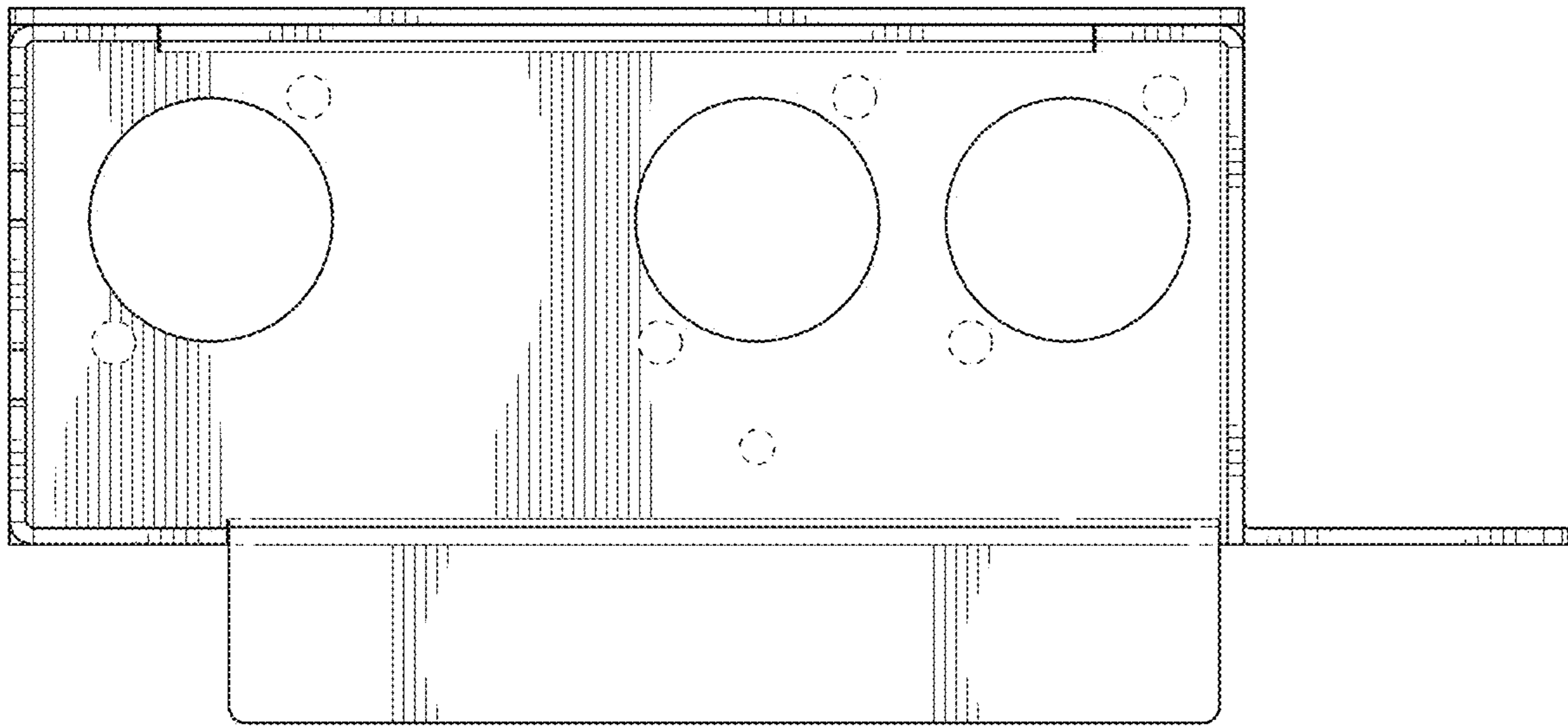


FIG. 4

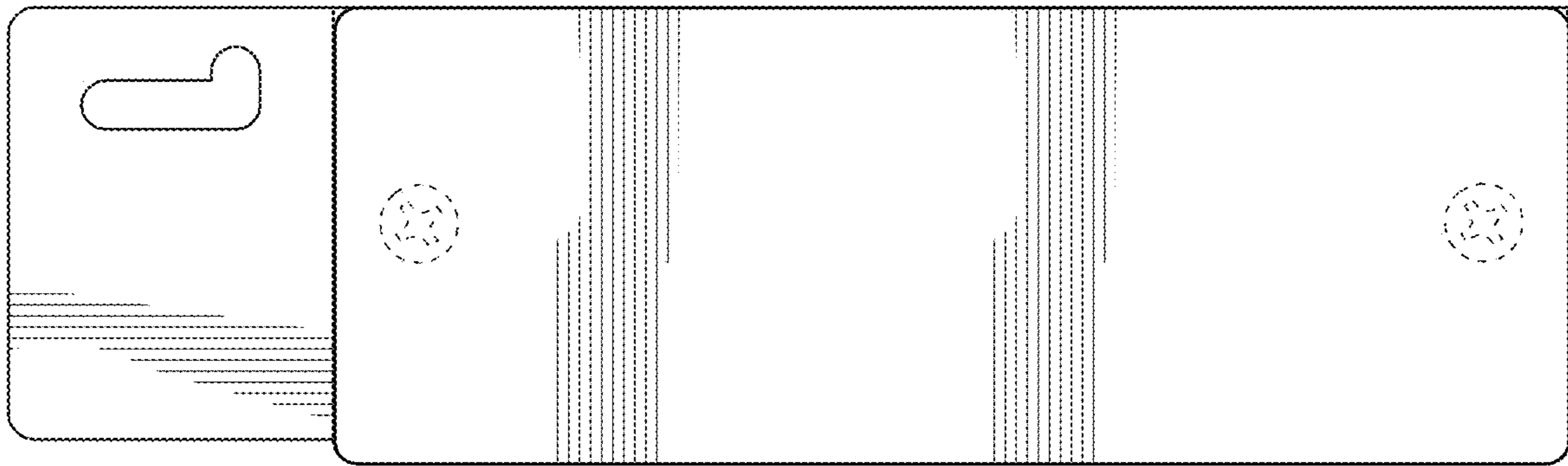


FIG. 5

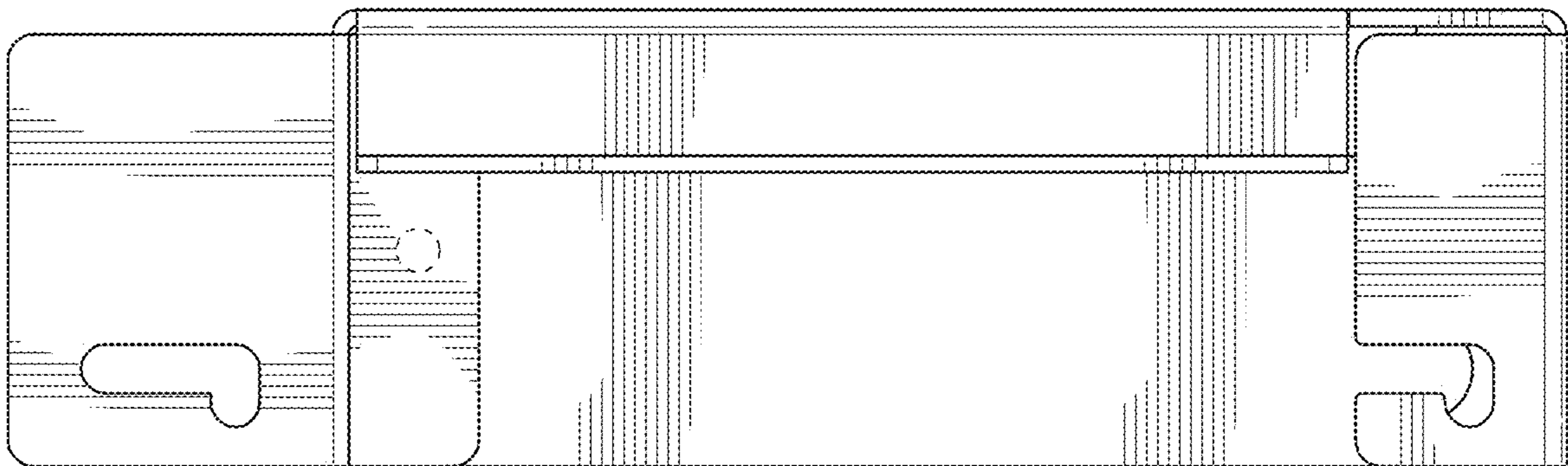


FIG. 6

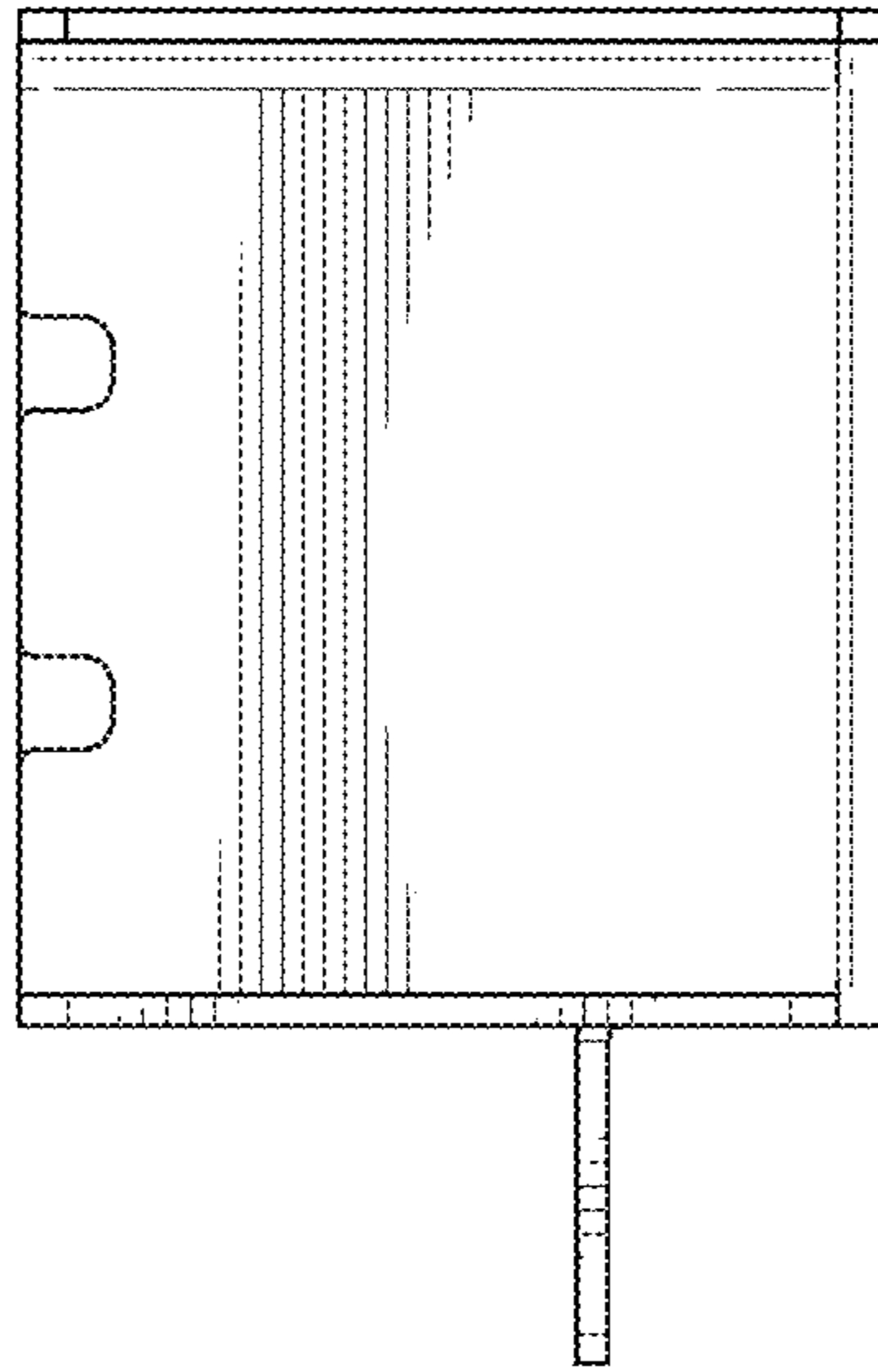


FIG. 7

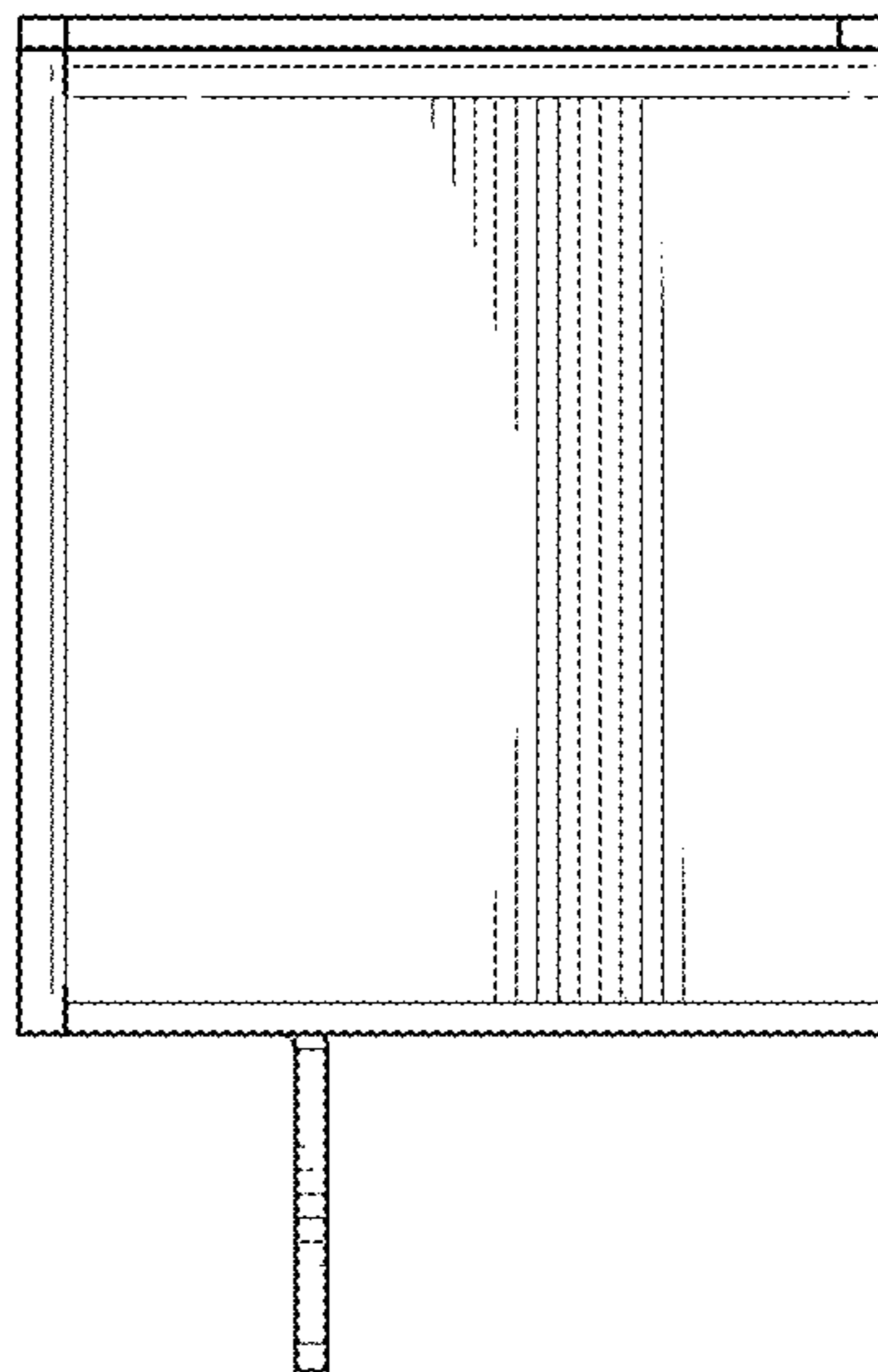


FIG. 8

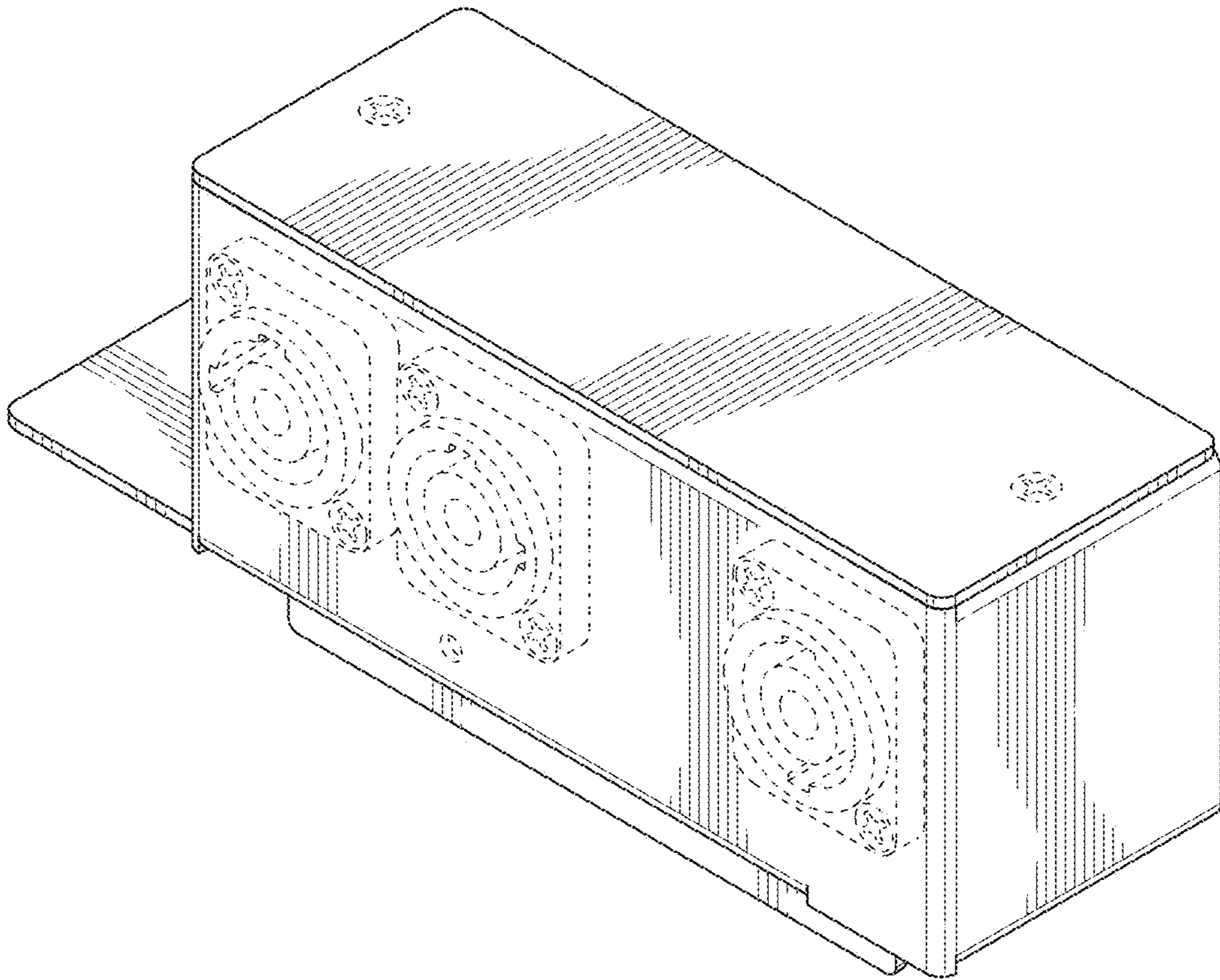


FIG. 9

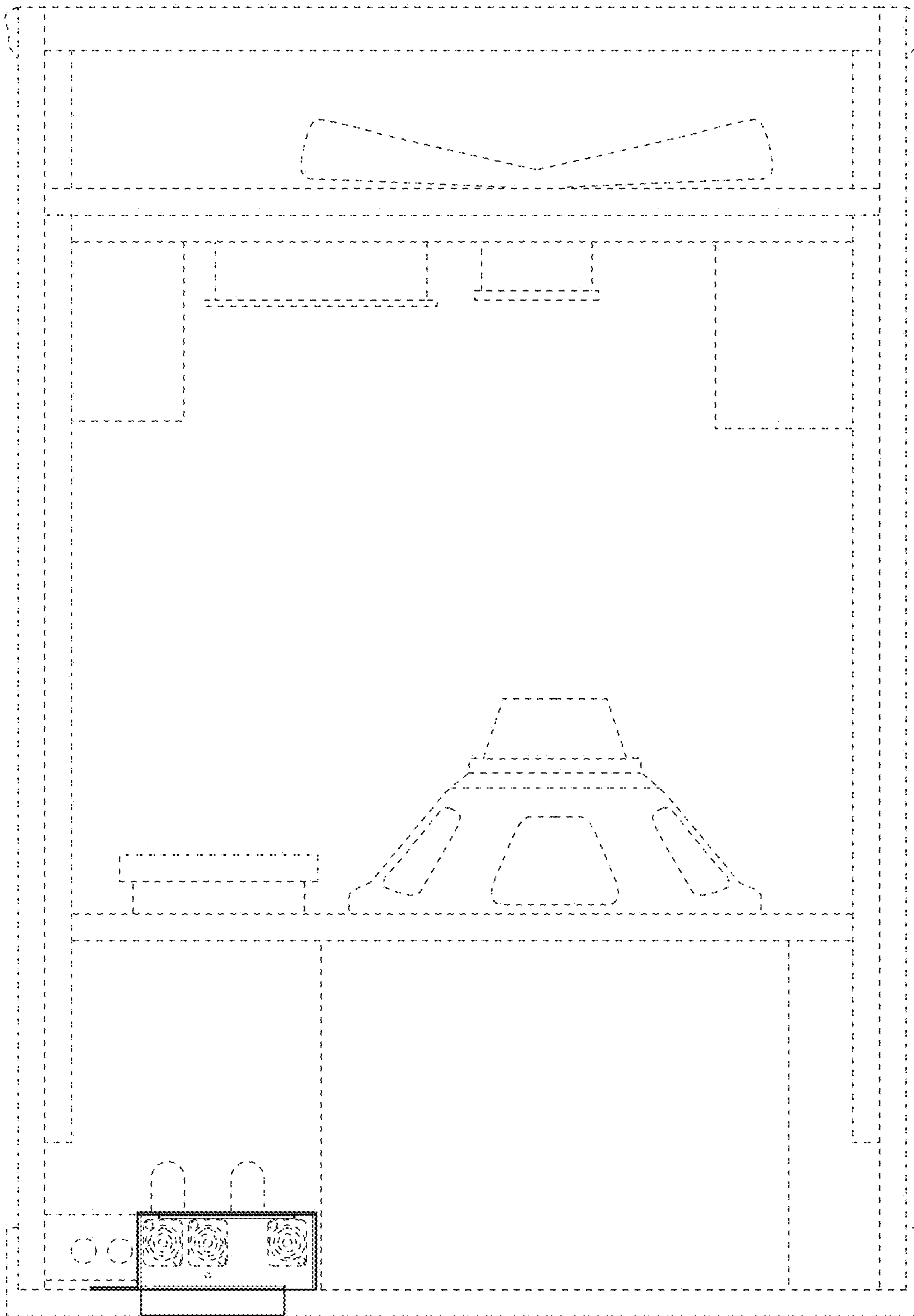


FIG. 10