



US00D947787S

(12) **United States Design Patent**
Harris et al.

(10) **Patent No.:** **US D947,787 S**
(45) **Date of Patent:** **** Apr. 5, 2022**

- (54) **COUPLING**
- (71) Applicant: **Colder Products Company**, St. Paul, MN (US)
- (72) Inventors: **Gary J. Harris**, Maple Grove, MN (US); **Jeffrey Jonathan Martin**, St. Paul, MN (US); **Grant A. Wilhelm**, Plymouth, MN (US); **Peter David Lee Wootton**, Richmond (CA)
- (73) Assignee: **Colder Products Company**, Roseville, MN (US)
- (**) Term: **15 Years**
- (21) Appl. No.: **29/733,322**
- (22) Filed: **Apr. 30, 2020**
- (51) **LOC (13) Cl.** **13-03**
- (52) **U.S. Cl.**
USPC **D13/147**; D13/146
- (58) **Field of Classification Search**
USPC D12/101, 103, 107, 108, 110, 118, 119, D12/120, 133, 137.1, 138.1, 138.2, 146, D12/147, 151, 184, 199
CPC H01R 13/52; H01R 13/56; H01R 13/405; H01R 13/5202; H01R 13/5227; H01R 13/6272; H02J 7/00; H02J 7/0045; H02J 7/0052; Y02T 90/14; Y02T 10/7072; B60L 11/182; B60L 11/1818
See application file for complete search history.

(56) **References Cited**

U.S. PATENT DOCUMENTS

- 6,382,593 B1 * 5/2002 deCler B67D 7/0294 137/881
- D466,083 S * 11/2002 Zhang D13/147
- D511,747 S * 11/2005 Rey D13/146
- D527,346 S * 8/2006 Brodin D13/146

- 7,255,544 B2 * 8/2007 Dong F03C 2/08 417/391
- D559,785 S * 1/2008 Tosetti A61C 1/18 D13/133
- D585,837 S * 2/2009 Kuehne D13/146
- D601,964 S * 10/2009 Rupp D13/147
- D602,433 S * 10/2009 Katou D13/120
- 7,874,860 B2 * 1/2011 Starke H01R 13/622 439/320
- D649,938 S * 12/2011 Erickson D13/147
- D649,939 S * 12/2011 Erickson D13/147
- D676,388 S * 2/2013 Muller D13/147
- D694,188 S * 11/2013 Ferguson D13/133
- D743,893 S * 11/2015 Kuribayashi D13/146
- 10,290,969 B2 * 5/2019 Zhu H01R 13/5213
- D880,427 S * 4/2020 Milroy D13/147
- D881,131 S * 4/2020 Tovey D13/146
- D883,935 S * 5/2020 Kito D13/147
- D884,644 S * 5/2020 Milroy D13/146
- D929,944 S * 9/2021 Martin D13/147
- D929,945 S * 9/2021 Martin D13/147
- D931,818 S * 9/2021 Hockenstrom D13/146

(Continued)

Primary Examiner — Darlington Ly

(74) *Attorney, Agent, or Firm* — Fish & Richardson P.C.

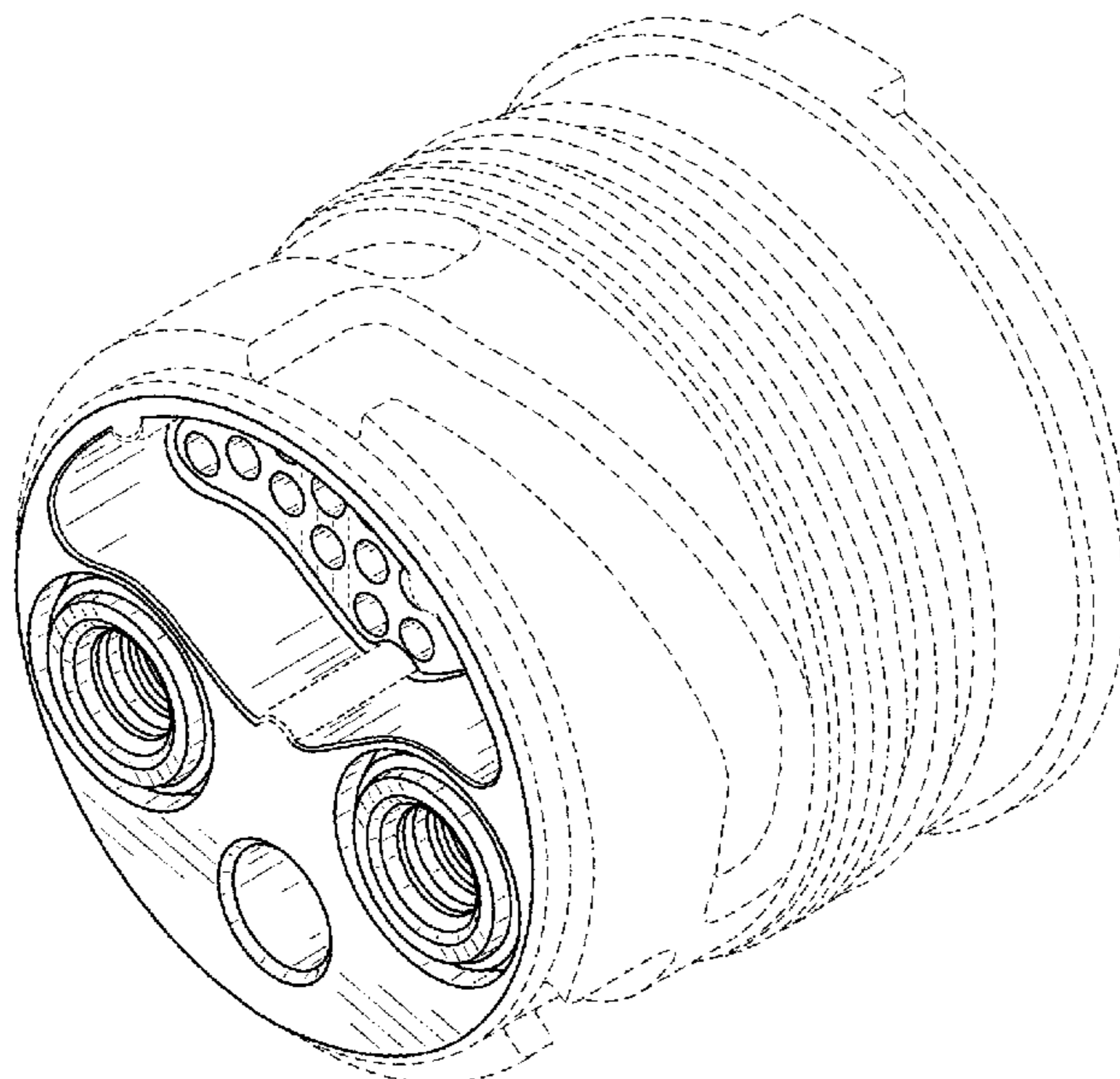
(57) **CLAIM**

The ornamental design for a coupling, substantially as shown and described.

DESCRIPTION

FIG. 1 is a perspective view of the coupling.
 FIG. 2 is a front view of the coupling of FIG. 1.
 FIG. 3 is a back view of the coupling of FIG. 1.
 FIG. 4 is a right side view of the coupling of FIG. 1.
 FIG. 5 is a left side view of the coupling of FIG. 1.
 FIG. 6 is a top view of the coupling of FIG. 1; and,
 FIG. 7 is a bottom view of the coupling of FIG. 1.
 The evenly dashed broken lines illustrate portions of the coupling that form no part of the claim.

1 Claim, 4 Drawing Sheets



(56)

References Cited

U.S. PATENT DOCUMENTS

2012/0238131 A1* 9/2012 Osawa H01R 43/20
439/476.1
2020/0032922 A1* 1/2020 Wilhelm F16L 37/32

* cited by examiner

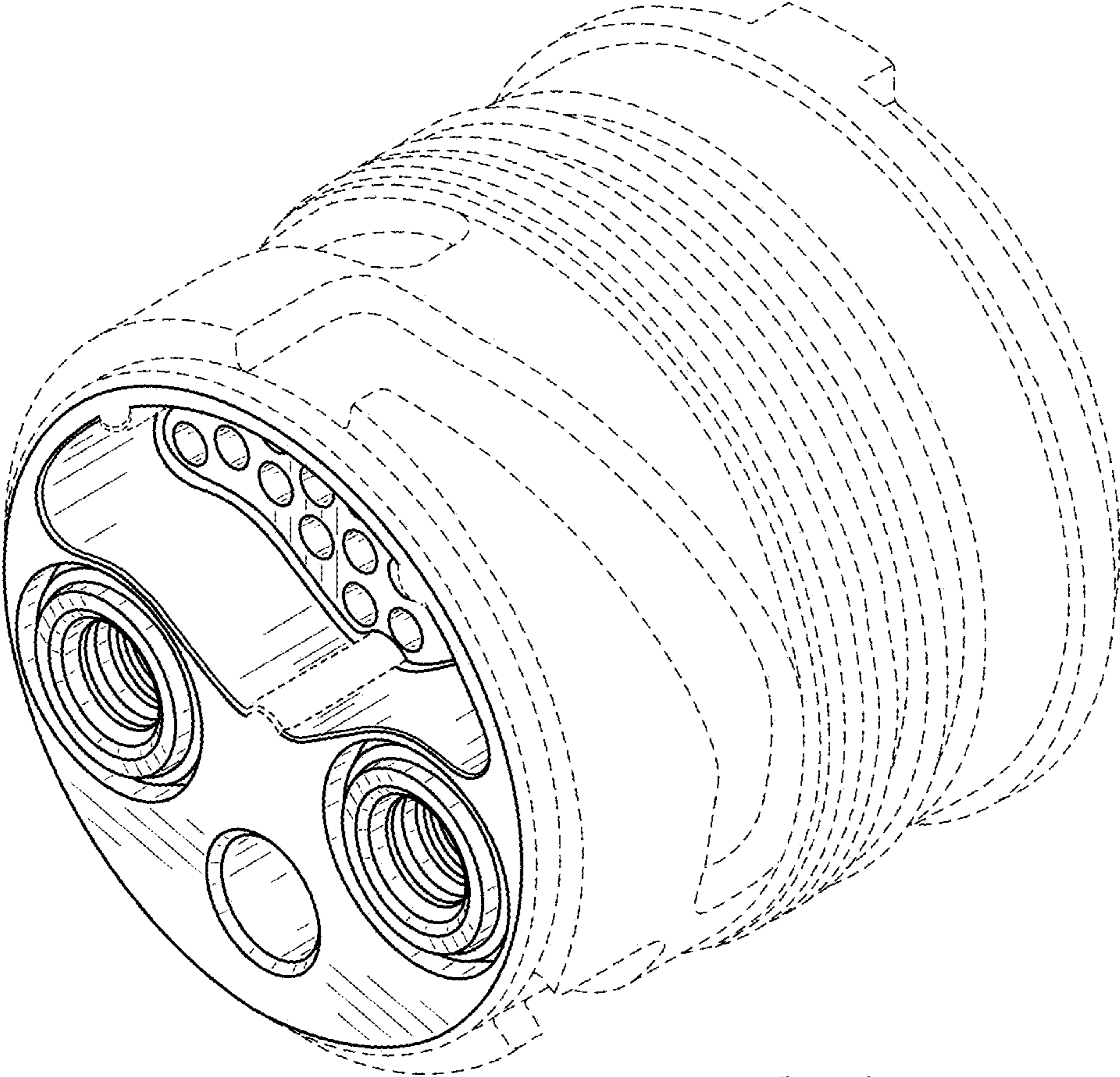


FIG. 1

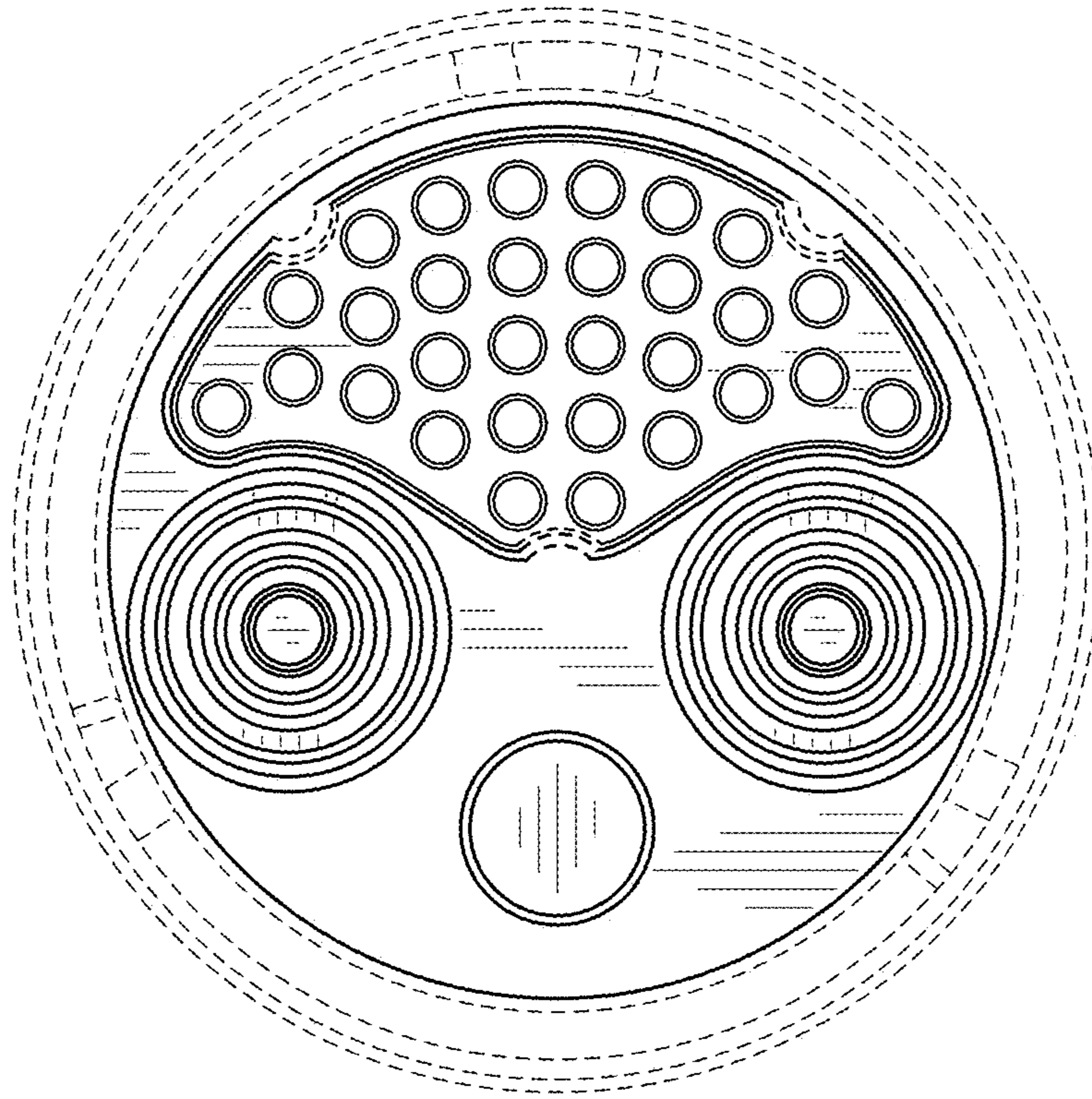


FIG. 2

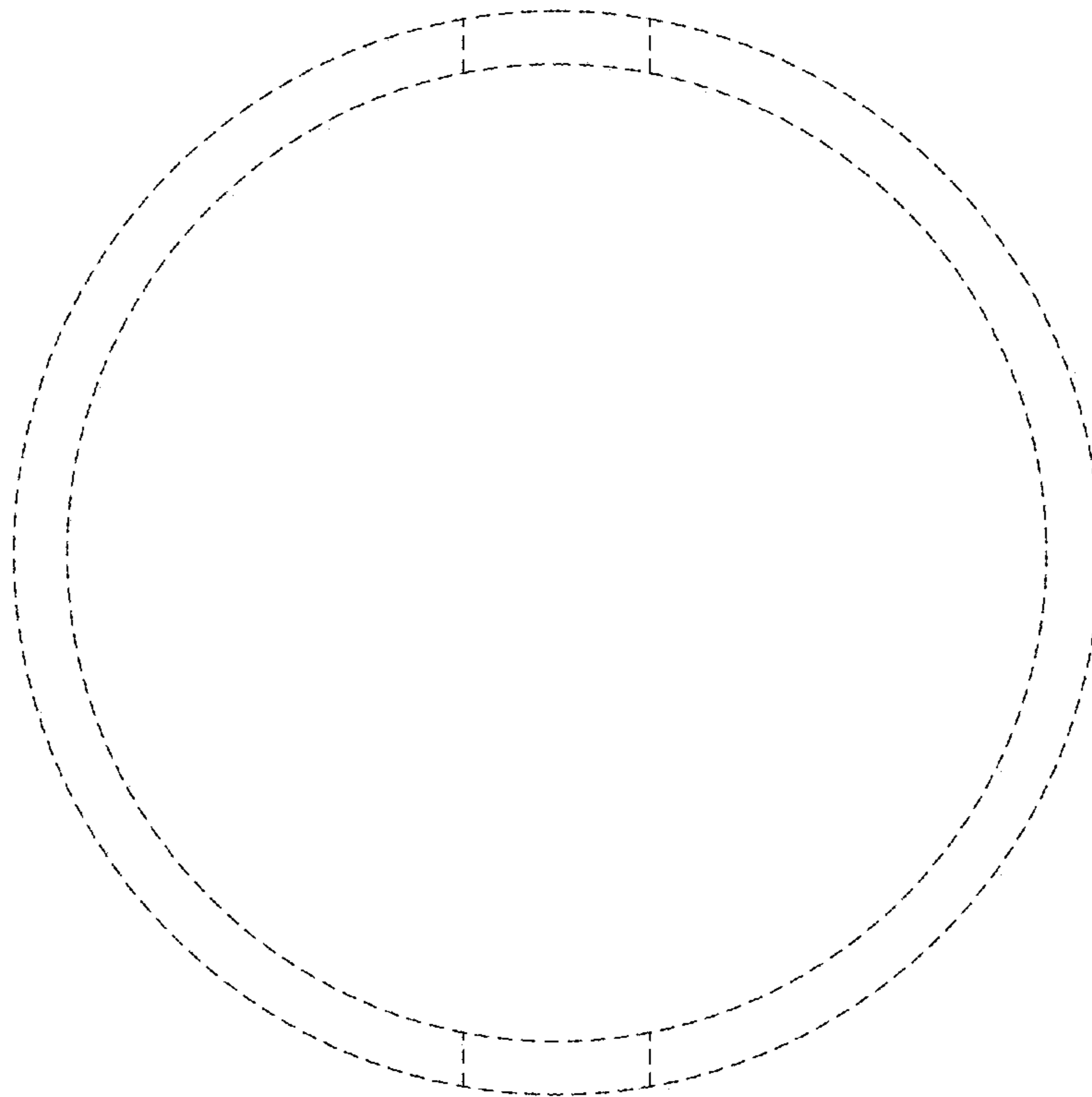


FIG. 3

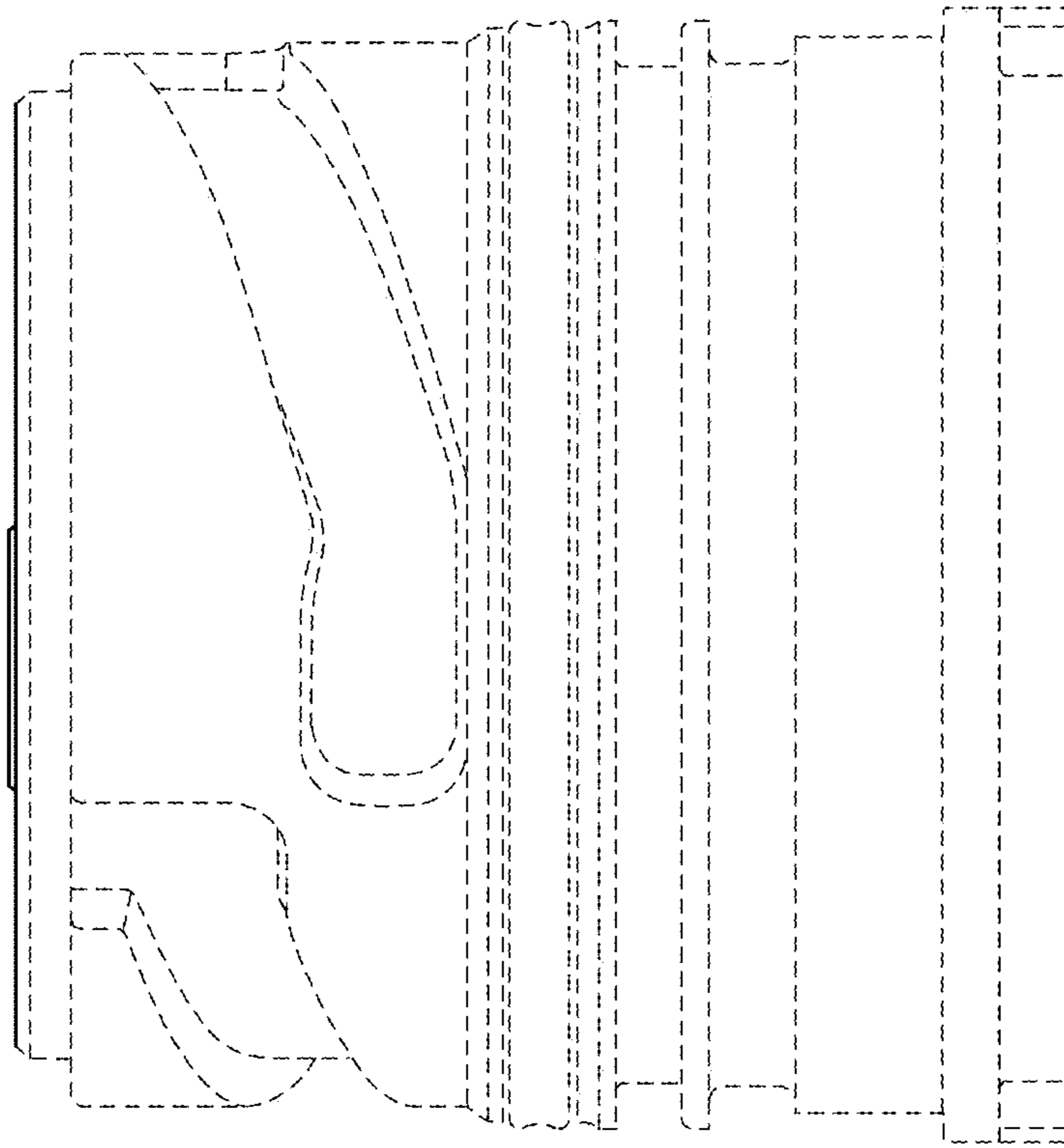


FIG. 4

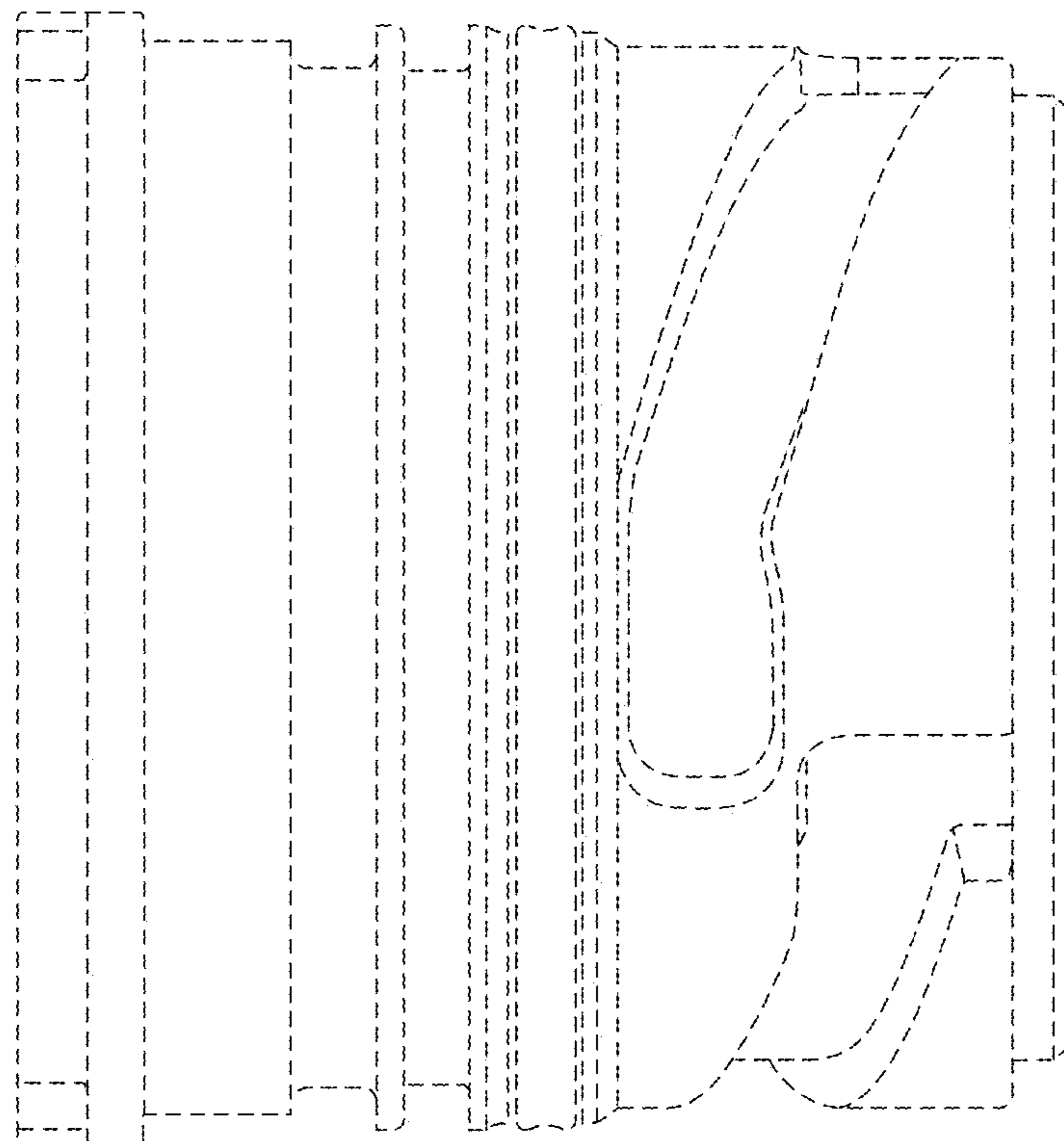


FIG. 5

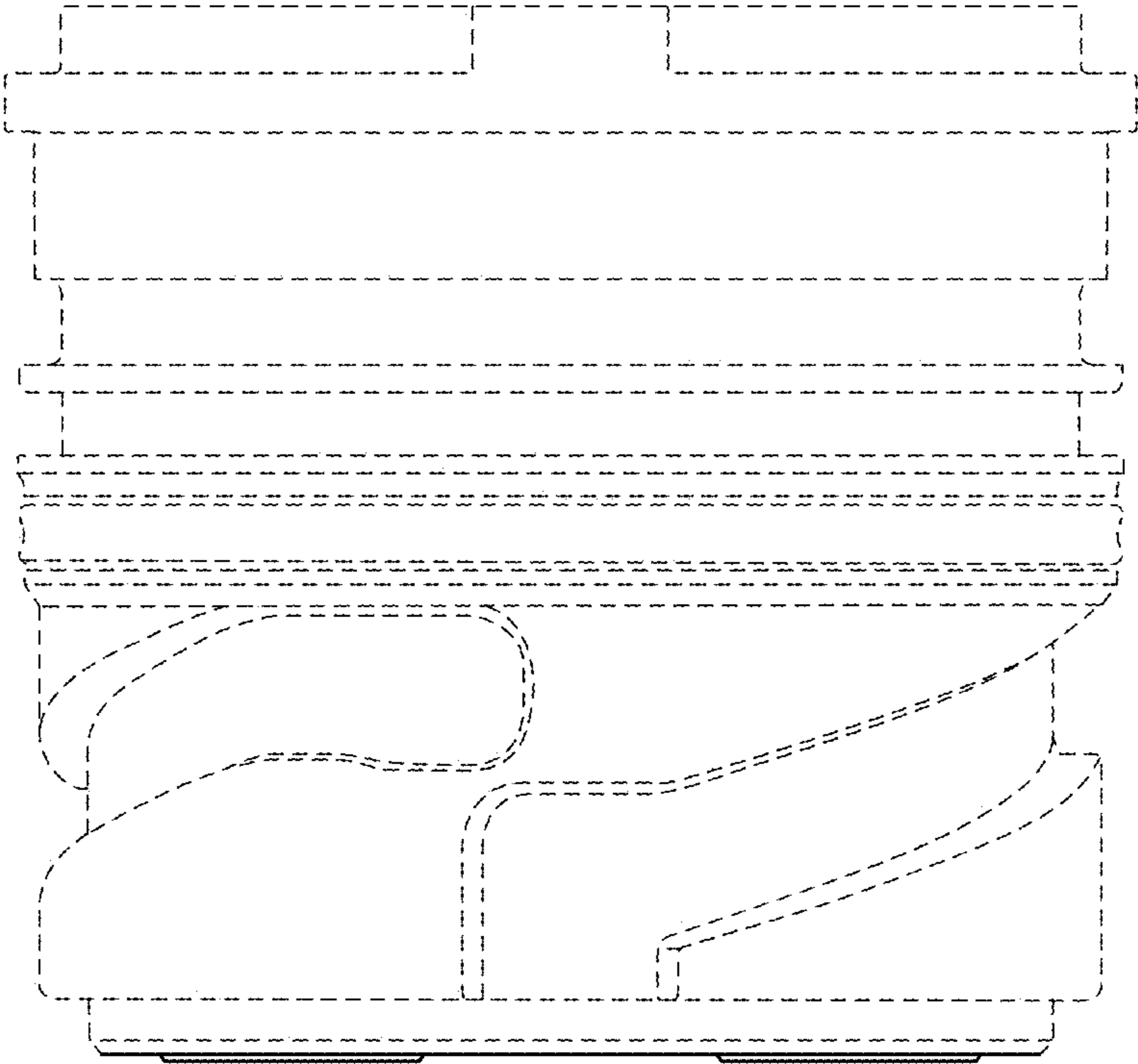


FIG. 6

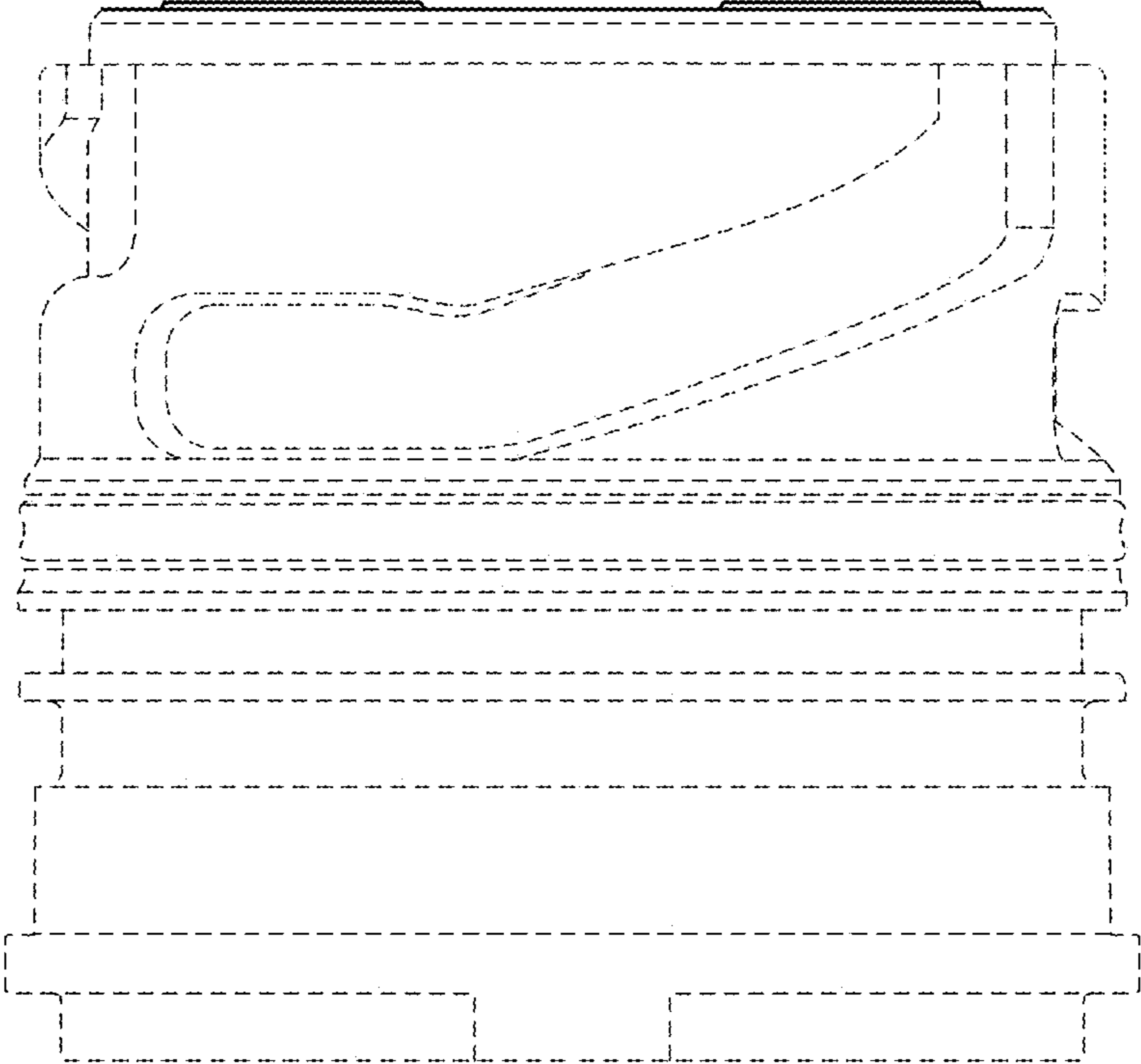


FIG. 7