



US00D947786S

(12) **United States Design Patent**  
**Omodachi**

(10) **Patent No.:** **US D947,786 S**

(45) **Date of Patent:** **\*\* Apr. 5, 2022**

(54) **CONNECTOR**

(71) Applicant: **Japan Aviation Electronics Industry, Limited**, Tokyo (JP)

(72) Inventor: **Takashi Omodachi**, Tokyo (JP)

(73) Assignee: **JAPAN AVIATION ELECTRONICS INDUSTRY, LIMITED**, Tokyo (JP)

(\*\*) Term: **15 Years**

(21) Appl. No.: **29/732,638**

(22) Filed: **Apr. 27, 2020**

(30) **Foreign Application Priority Data**

Nov. 11, 2019 (JP) ..... 2019-025043

(51) **LOC (13) Cl.** ..... **13-03**

(52) **U.S. Cl.**

USPC ..... **D13/147**

(58) **Field of Classification Search**

USPC ..... D13/120, 123, 133, 146-147, 154, 184, D13/199

CPC .... H01R 4/028; H01R 12/716; H01R 12/707; H01R 12/57; H01R 13/04; H01R 13/502; H01R 13/629; H01R 12/7005

See application file for complete search history.

(56) **References Cited**

**U.S. PATENT DOCUMENTS**

- 7,179,094 B2 \* 2/2007 Kawahara ..... H01R 4/028 439/74
- D562,246 S \* 2/2008 Matsuzaki ..... D13/147
- D574,330 S \* 8/2008 Matsuzaki ..... D13/147
- D576,556 S \* 9/2008 Lee ..... D13/147
- D742,322 S \* 11/2015 Endo ..... D13/147

(Continued)

**FOREIGN PATENT DOCUMENTS**

- JP D1662214 \* 6/2020
- JP D1662314 \* 6/2020

(Continued)

**OTHER PUBLICATIONS**

Molex Connector Part No. 5010170248, dated Jan. 19, 2021, [online], [site visited Aug. 31, 2021]. Available from internet, URL: [https://www.molex.com/molex/products/part-detail/pcb\\_headers/5010170248](https://www.molex.com/molex/products/part-detail/pcb_headers/5010170248) (Year: 2021).\*

(Continued)

*Primary Examiner* — Shawn T Gingrich

*Assistant Examiner* — Bryan Nolan Melvin

(74) *Attorney, Agent, or Firm* — Manabu Kanesaka

(57) **CLAIM**

The ornamental design for a connector, as shown and described.

**DESCRIPTION**

FIG. 1 is a front elevational view of a connector showing my new design;

FIG. 2 is a rear elevational view thereof;

FIG. 3 is a right side elevational view thereof;

FIG. 4 is a left side elevational view thereof;

FIG. 5 is a top plan view thereof;

FIG. 6 is a bottom plan view thereof;

FIG. 7 is a perspective view showing a front, top and right side thereof;

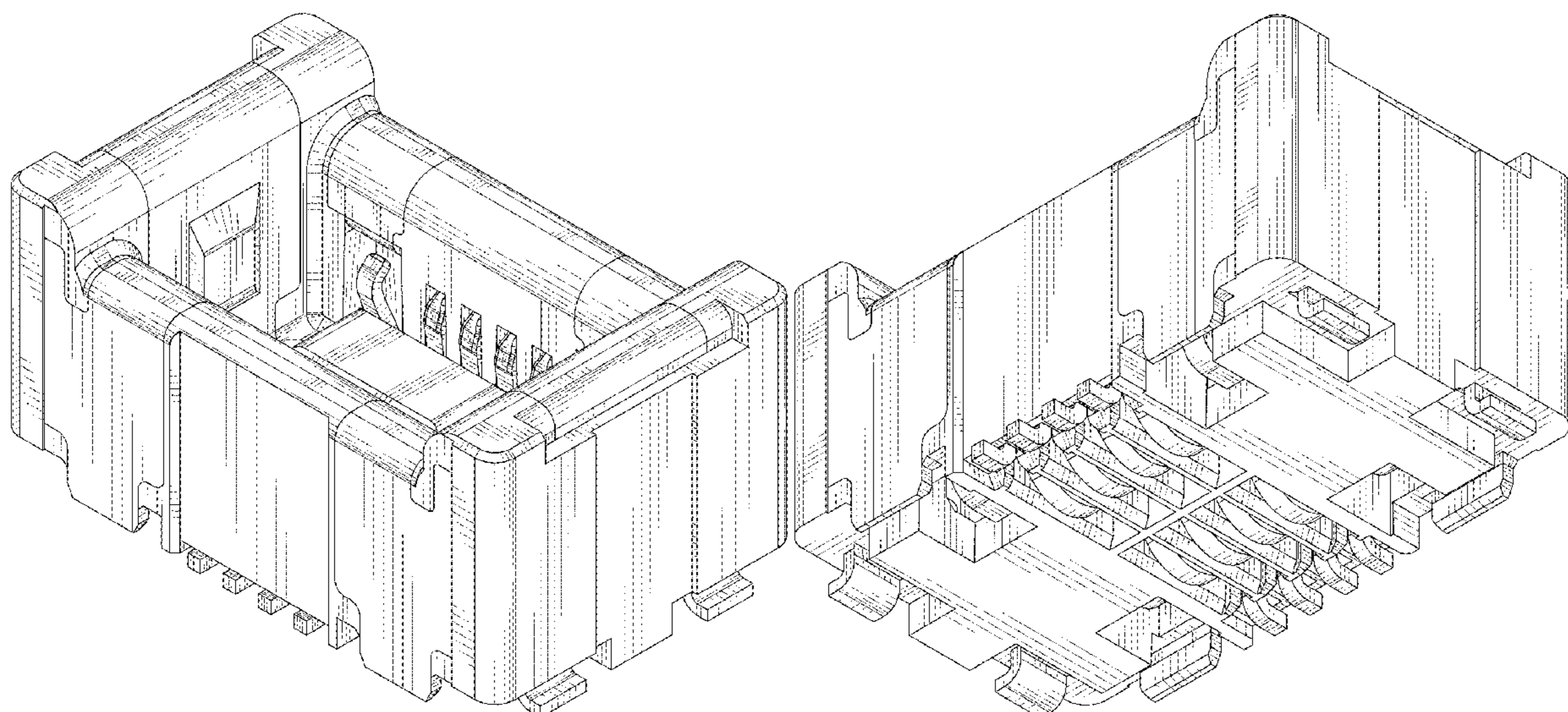
FIG. 8 is a perspective view showing a rear, bottom and left side thereof;

FIG. 9 is a perspective view showing a front, right and bottom side thereof; and,

FIG. 10 is a perspective view showing a rear, left and top side thereof.

The broken line showing of the connector is for the purpose of illustrating portions of the article and forms no part of the claimed design.

**1 Claim, 5 Drawing Sheets**



(56)

**References Cited**

U.S. PATENT DOCUMENTS

D748,589 S \* 2/2016 Endo ..... D13/147  
D773,998 S \* 12/2016 Endo ..... D13/147  
D773,999 S \* 12/2016 Endo ..... D13/147  
D774,000 S \* 12/2016 Endo ..... D13/147  
D795,813 S \* 8/2017 Goto ..... D13/147  
D885,346 S \* 5/2020 Ishida ..... D13/147  
2017/0194727 A1 \* 7/2017 Yoshioka ..... H01R 12/73  
2019/0273334 A1 \* 9/2019 Hashiguchi ..... H01R 12/714

FOREIGN PATENT DOCUMENTS

JP D1689504 \* 7/2021  
JP D1682139 \* 8/2021

OTHER PUBLICATIONS

Aces Group 50022-xxxxx-xxx , dated Jan. 18, 2014, [online], [site visited Aug. 31, 2021]. Available from internet, URL: <https://www.acesconn.com/series/50022-xxxxx-xxx/2526> (Year: 2014).\*

Japan Aviation Electronics Industry, Ltd. , dated 2015, [online], [site visited Aug. 31, 2021]. Available from internet, URL: <https://www.jae.com/en/technical/pim/detail/id=858> (Year: 2015).\*

\* cited by examiner

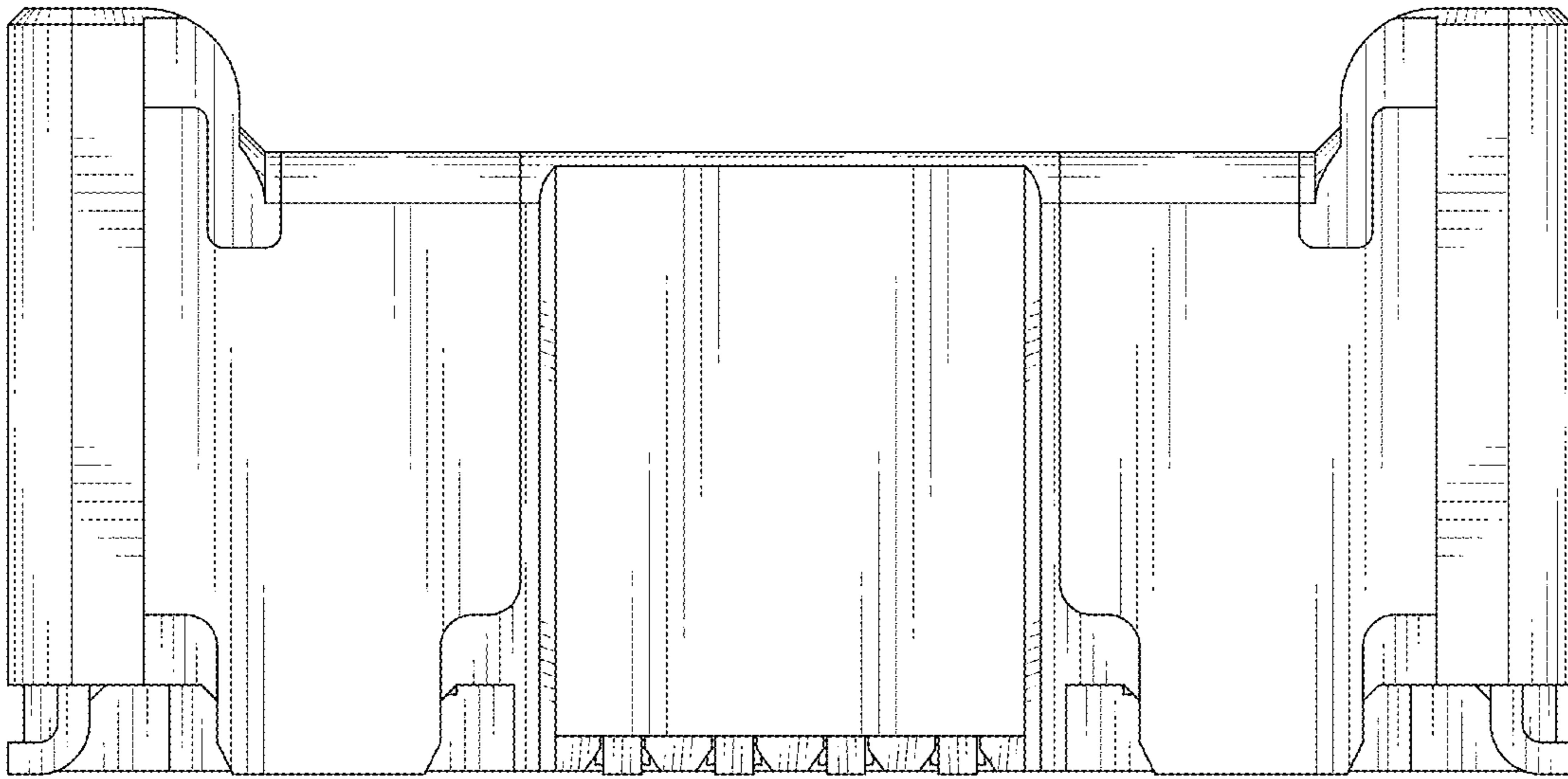


FIG. 1

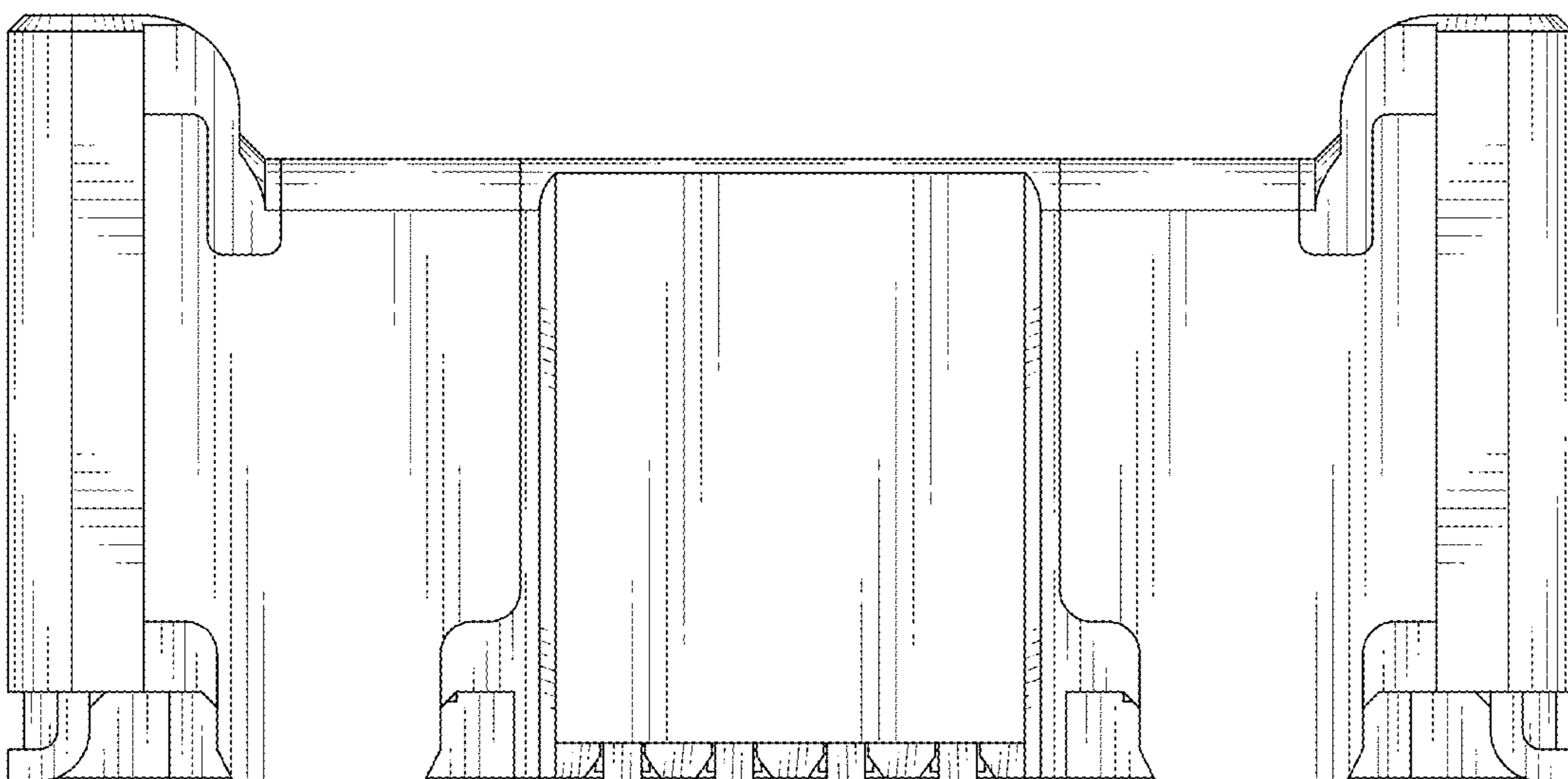


FIG. 2

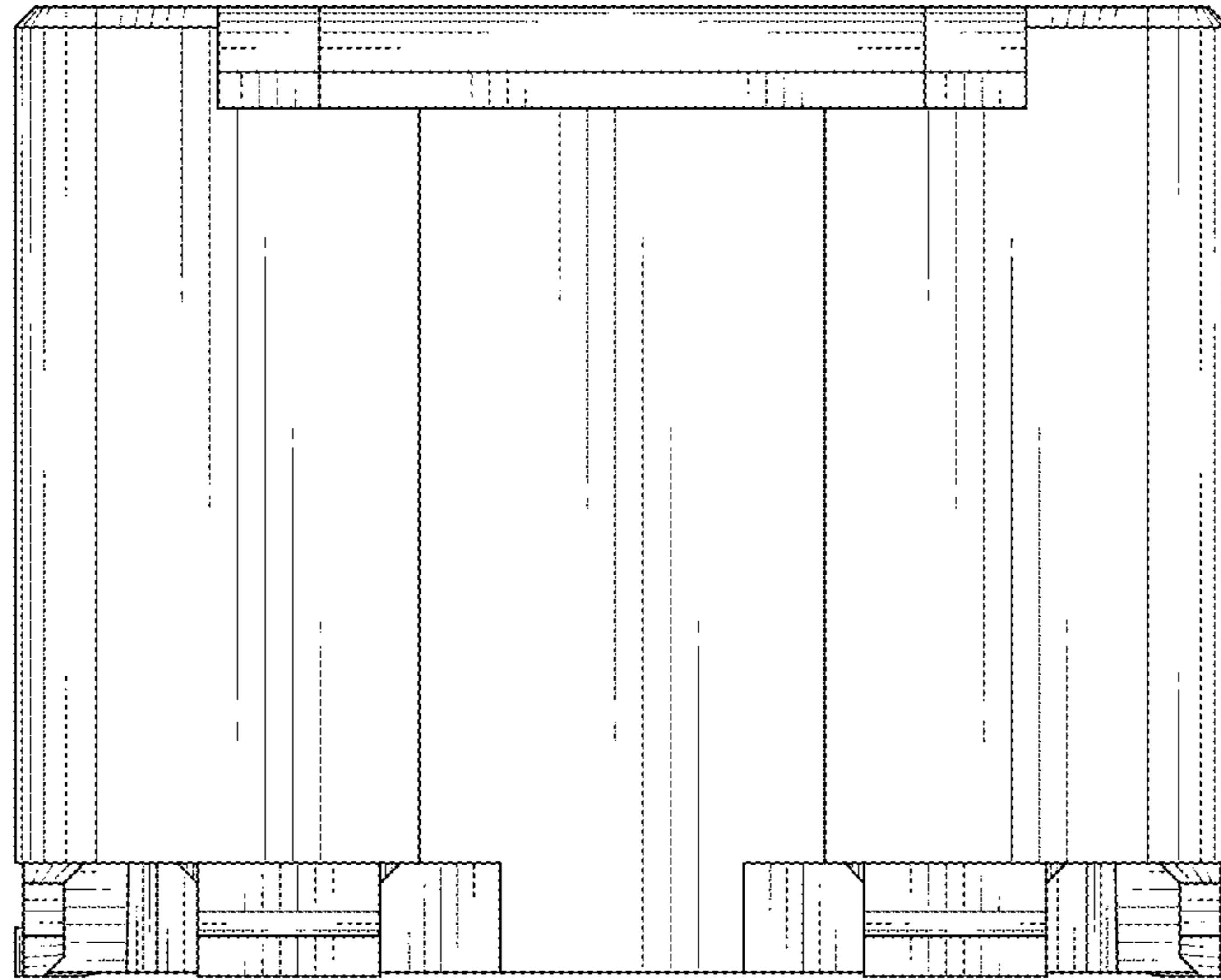


FIG. 3

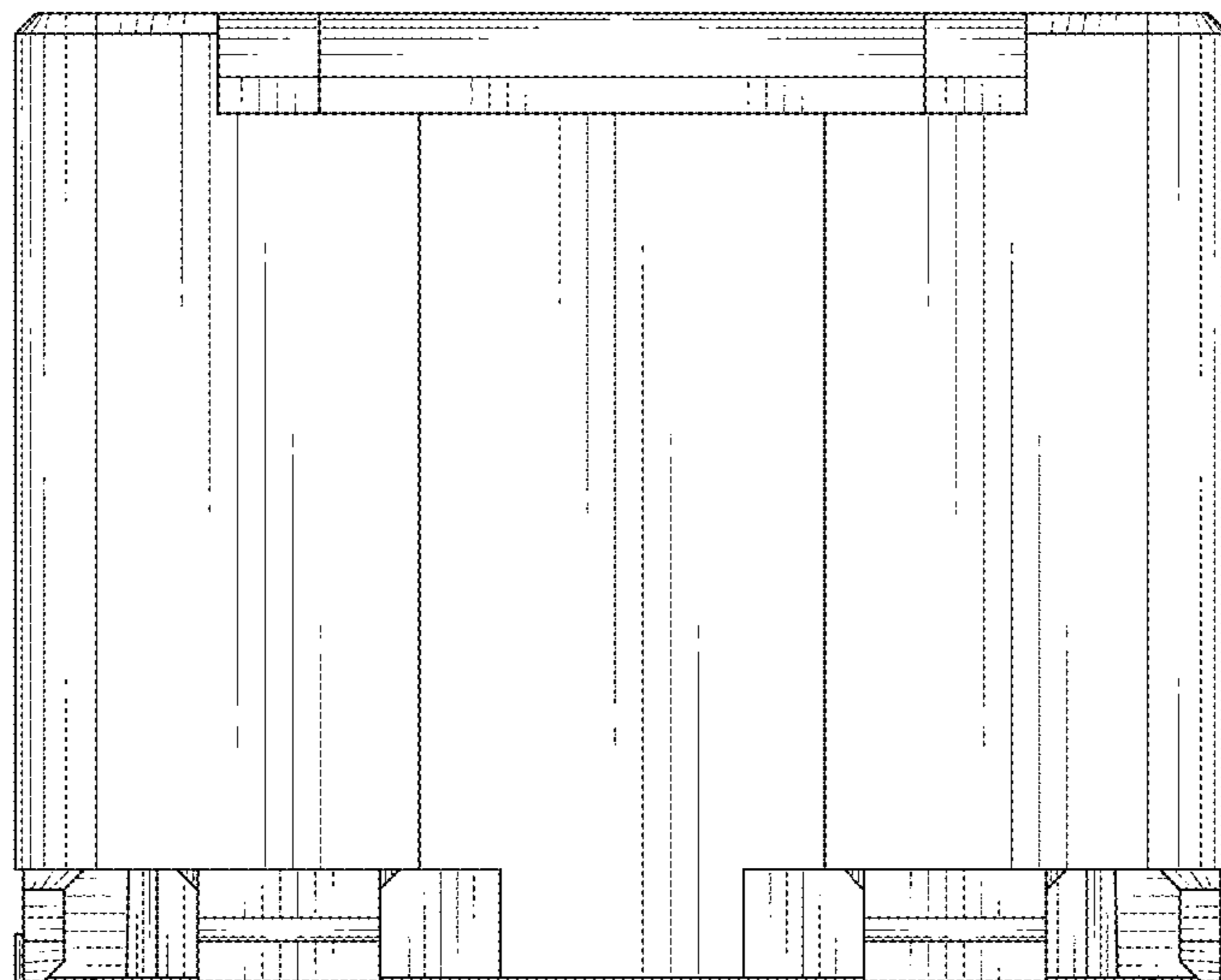


FIG. 4

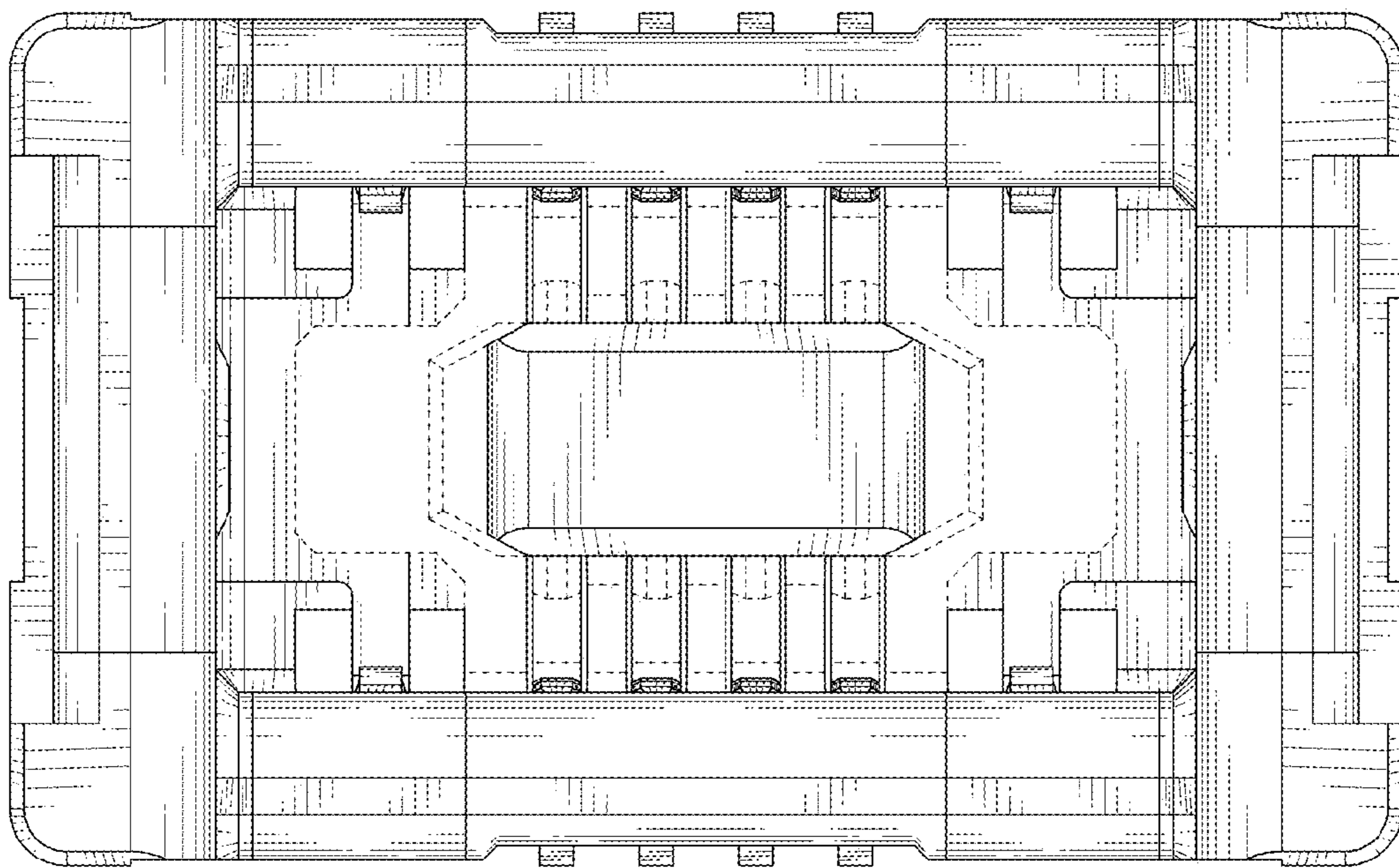


FIG. 5

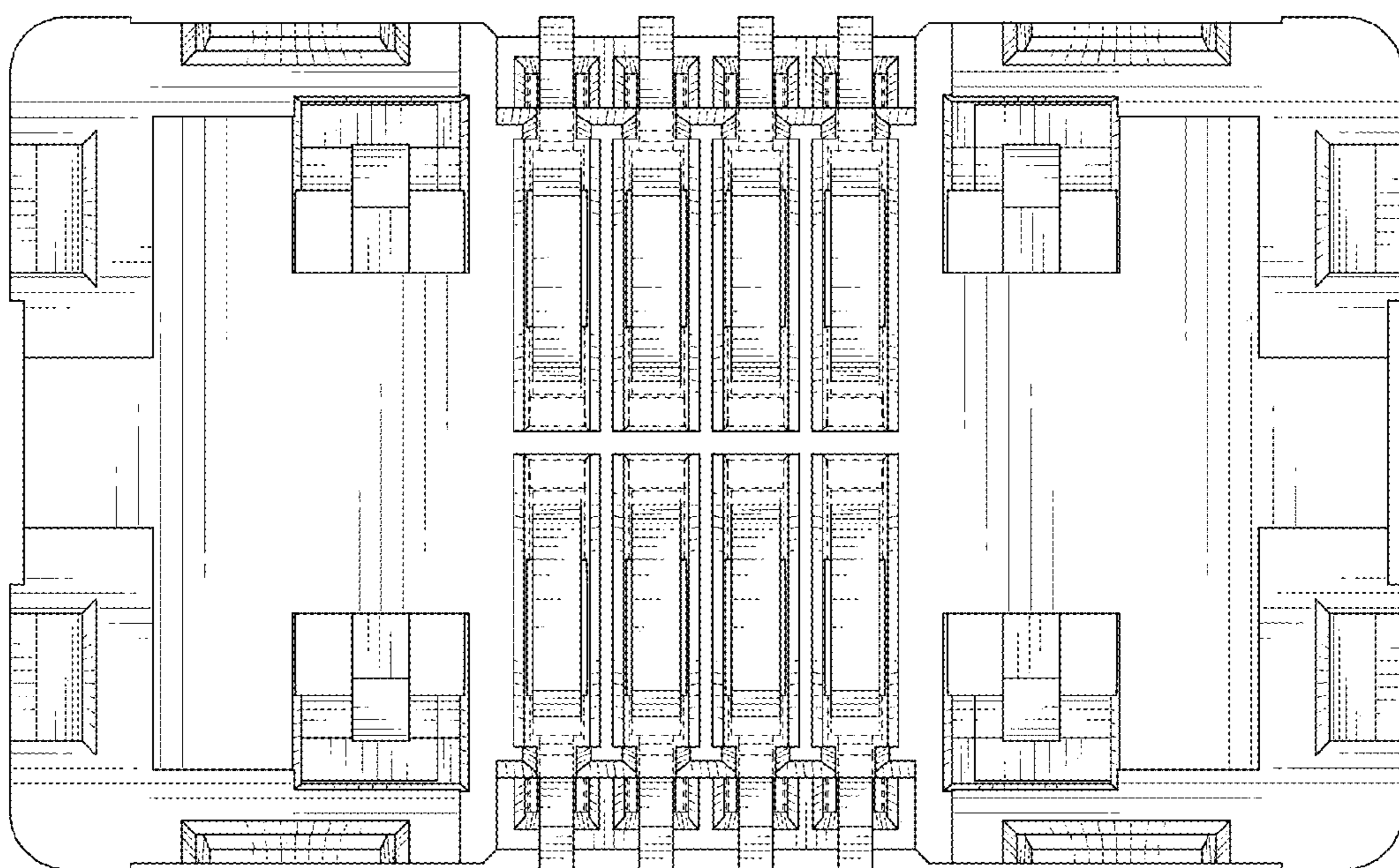


FIG. 6

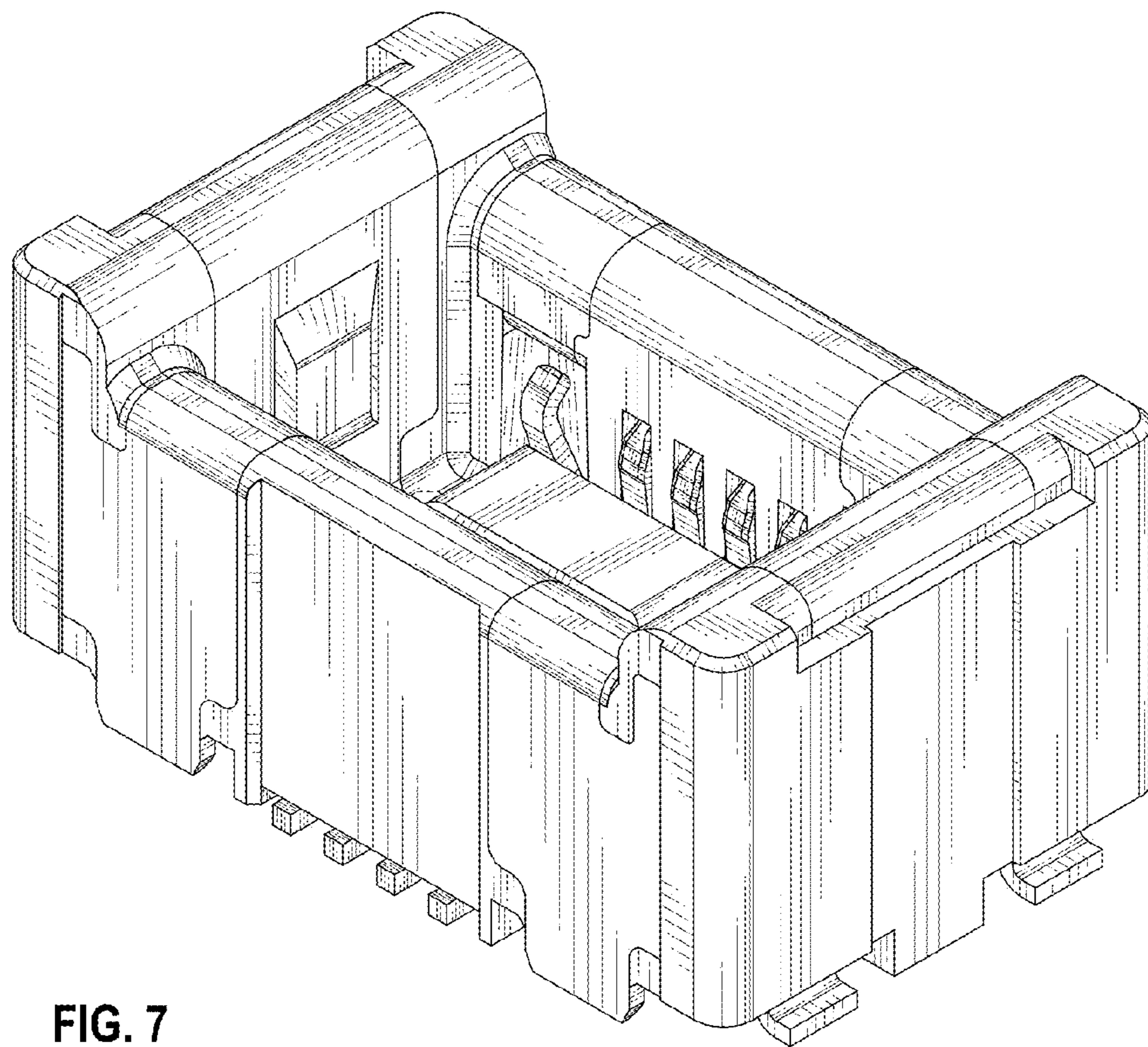


FIG. 7

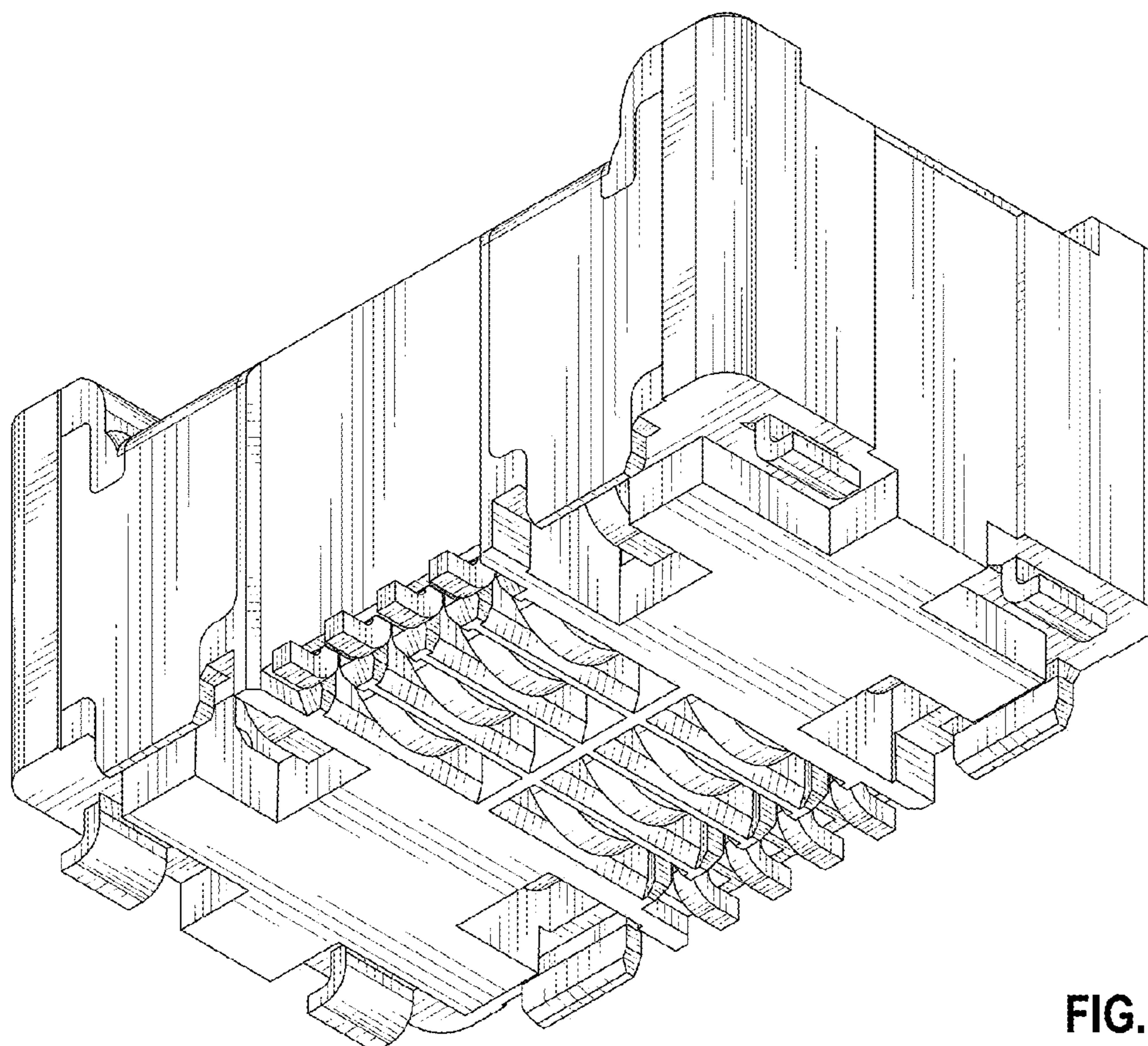


FIG. 8

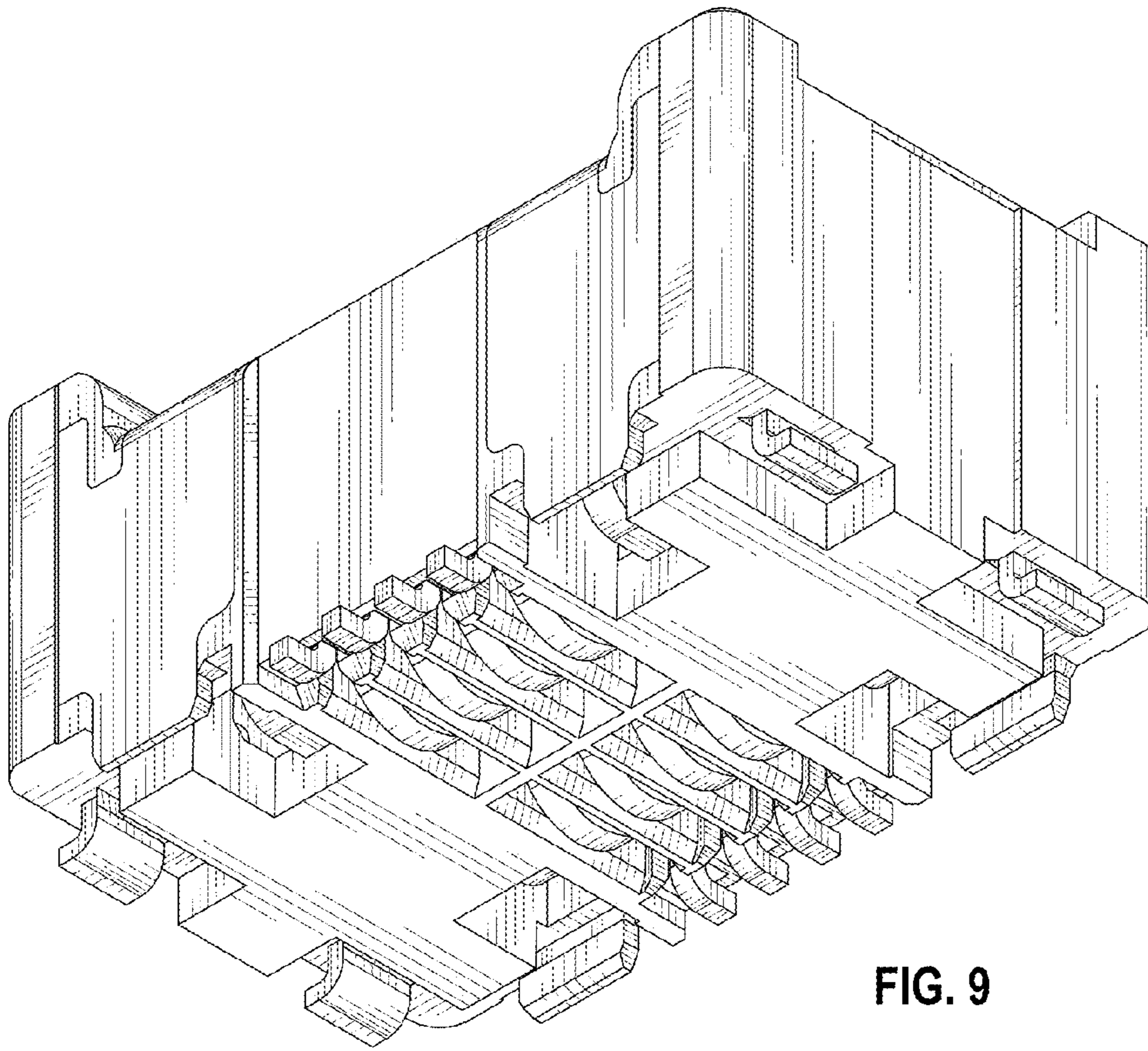


FIG. 9

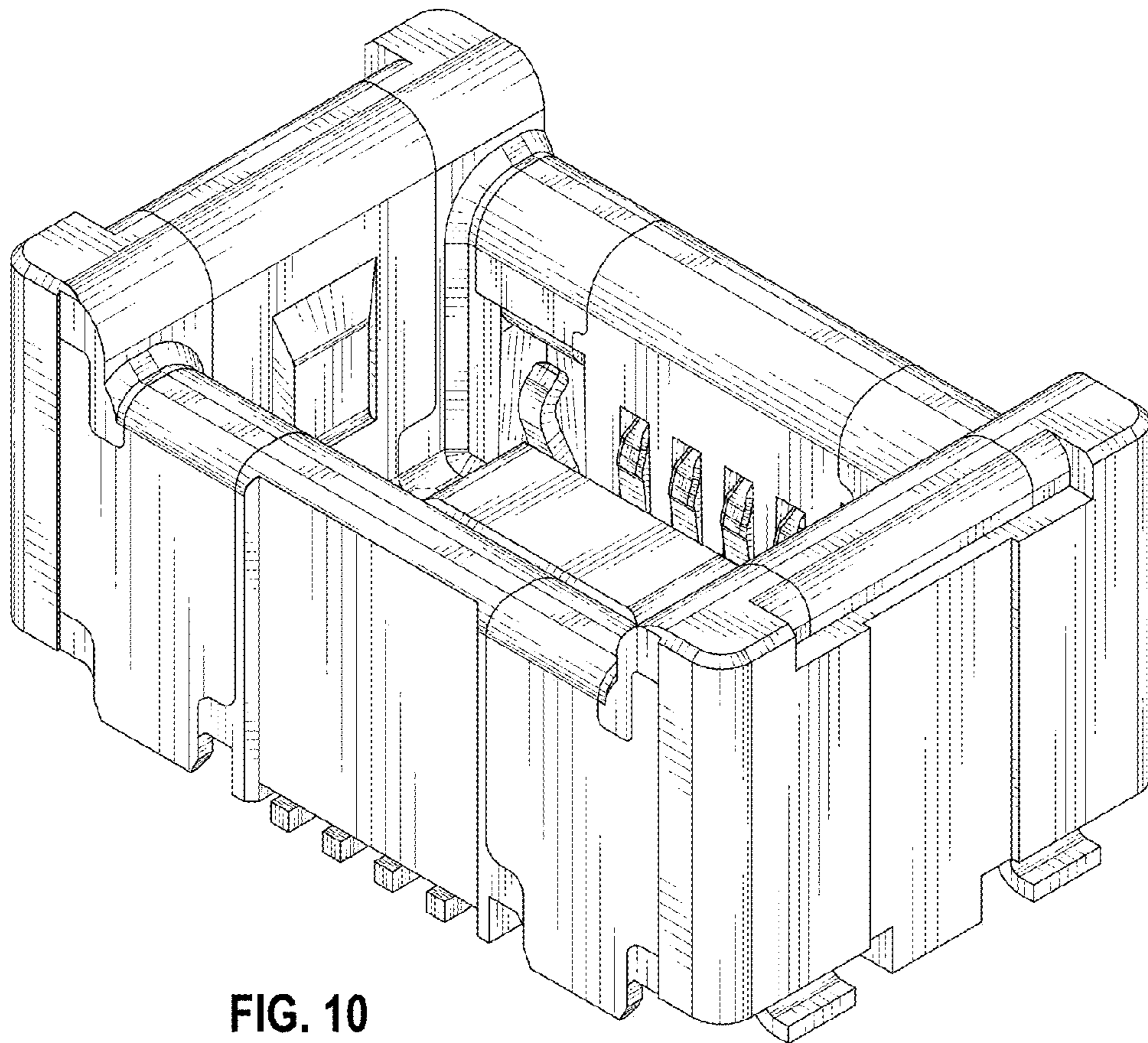


FIG. 10