



US00D947785S

(12) **United States Design Patent**  
**Ehrensward**

(10) **Patent No.:** **US D947,785 S**

(45) **Date of Patent:** **\*\* Apr. 5, 2022**

(54) **USB-C SURFACE MOUNT CONNECTOR**

(71) Applicant: **Yubico AB**, Stockholm (SE)

(72) Inventor: **Jakob Ehrensward**, Palo Alto, CA (US)

(73) Assignee: **YUBICO AB**, Stockholm (SE)

(\*\*) Term: **15 Years**

(21) Appl. No.: **29/731,304**

(22) Filed: **Apr. 14, 2020**

**Related U.S. Application Data**

(62) Division of application No. 29/662,062, filed on Aug. 31, 2018, now Pat. No. Des. 884,649.

(51) **LOC (13) Cl.** ..... **13-03**

(52) **U.S. Cl.**  
USPC ..... **D13/147**

(58) **Field of Classification Search**  
USPC ..... D13/154, 155, 133, 153, 147  
CPC .. H01R 12/716; H01R 12/57; H01R 13/6273;  
H01R 13/6683; H01R 24/62; H01R  
12/7005; H01R 2107/00  
See application file for complete search history.

(56) **References Cited**

**U.S. PATENT DOCUMENTS**

6,315,584 B1	11/2001	Greenside et al.
D517,993 S	3/2006	Su
8,000,502 B2	8/2011	Dave et al.
D768,085 S	10/2016	Yokoyama
D769,196 S	10/2016	Yokoyama
D772,165 S	11/2016	Chien et al.
9,502,821 B2	11/2016	Little et al.
D808,341 S	1/2018	Kimura et al.
D808,342 S	1/2018	Yamaguchi et al.
9,917,455 B1	3/2018	Shipman et al.
D837,161 S	1/2019	Yokoyama et al.
D837,162 S	1/2019	Kimura et al.

D837,163 S	1/2019	Kimura et al.	
10,205,257 B1	2/2019	Li et al.	
D843,946 S	3/2019	Nagnuma et al.	
D848,950 S	5/2019	Kimura et al.	
D848,951 S	5/2019	Kimura et al.	
D876,368 S *	2/2020	Yokoyama	D13/147
D884,649 S *	5/2020	Ehrensward	D13/147
D920,251 S *	5/2021	Elison	D13/133
D928,715 S *	8/2021	Akana	D13/147

(Continued)

**OTHER PUBLICATIONS**

PCT International Search Report and Written Opinion, PCT Application No. PCT/US18/49246, dated Nov. 30, 2018, 16 pages.

(Continued)

*Primary Examiner* — Bridget L Eland

(74) *Attorney, Agent, or Firm* — Fenwick & West LLP

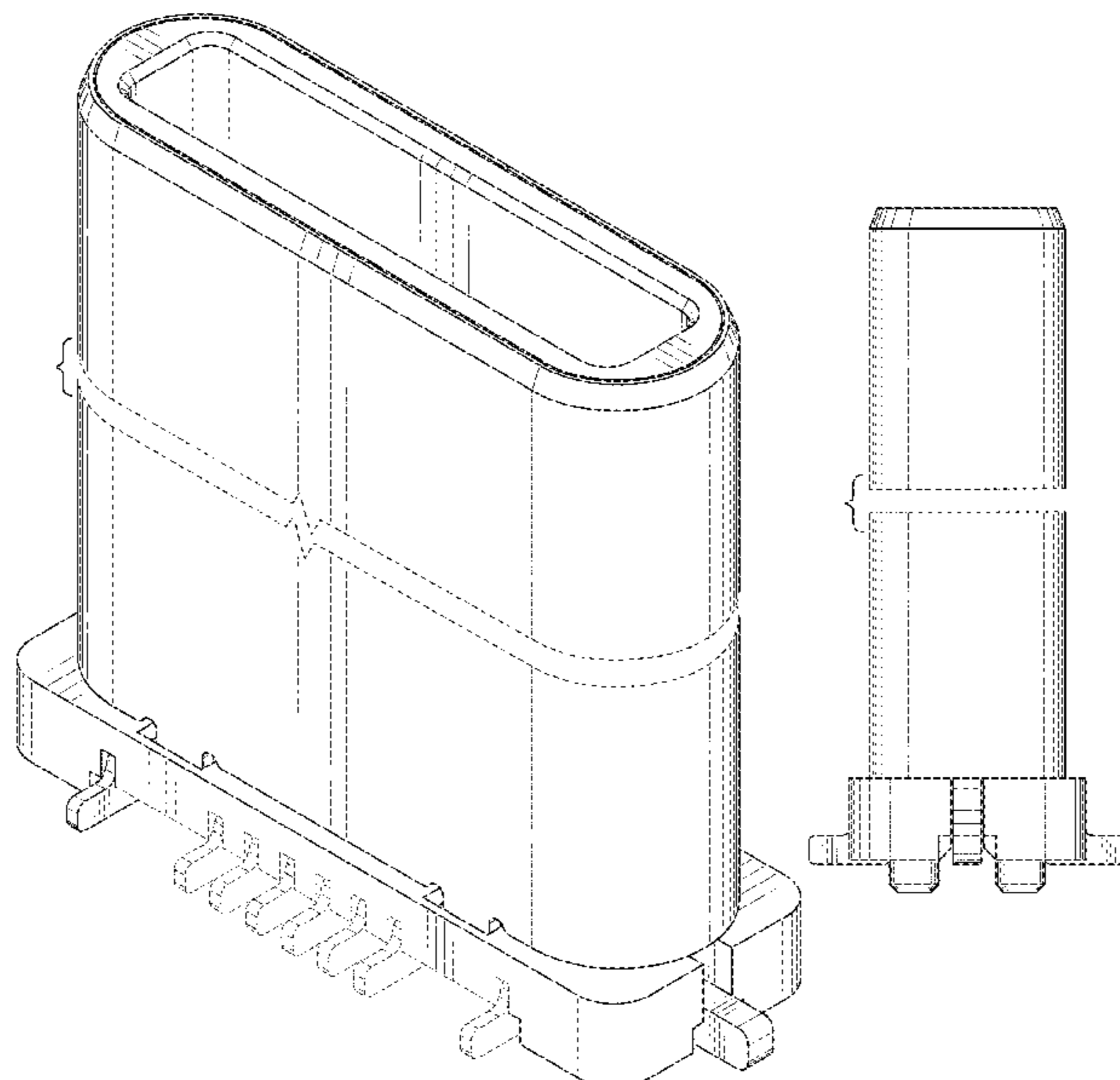
(57) **CLAIM**

The ornamental design for a USB-C surface mount connector, as shown and described.

**DESCRIPTION**

FIG. 1 is a top, front, and right side perspective view of a USB-C surface mount connector;  
FIG. 2 is a front view thereof.  
FIG. 3 is a back view thereof.  
FIG. 4 is a left side view thereof.  
FIG. 5 is a right side view thereof.  
FIG. 6 is a top view thereof; and,  
FIG. 7 is a bottom view thereof.  
The broken lines are for the purpose of illustrating environmental structure and forms no part of the claimed design. The brackets and broken line broken away symbols in the drawings indicate the broken lines and appearance of any portion of the article between the break lines forms no part of the claimed design.

**1 Claim, 7 Drawing Sheets**



(56)

**References Cited**

U.S. PATENT DOCUMENTS

2010/0041265 A1 2/2010 Wang  
2012/0253607 A1 10/2012 Choi  
2013/0078831 A1 3/2013 Chiu et al.  
2015/0171562 A1 6/2015 Gao et al.  
2015/0229073 A1 8/2015 Katayanagi  
2016/0156114 A1 6/2016 Kao et al.  
2016/0344122 A1 11/2016 Kao et al.  
2017/0110812 A1 4/2017 Tsai et al.  
2017/0125944 A1 5/2017 Yokoyama  
2017/0194749 A1 7/2017 Little et al.  
2019/0013603 A1 1/2019 Azad et al.  
2019/0067853 A1 2/2019 Ehrensvar  
2020/0274272 A1\* 8/2020 So ..... H05K 5/0278

OTHER PUBLICATIONS

United States Office Action, U.S. Appl. No. 29/662,062, filed Nov. 1, 2019, 8 pages.

\* cited by examiner

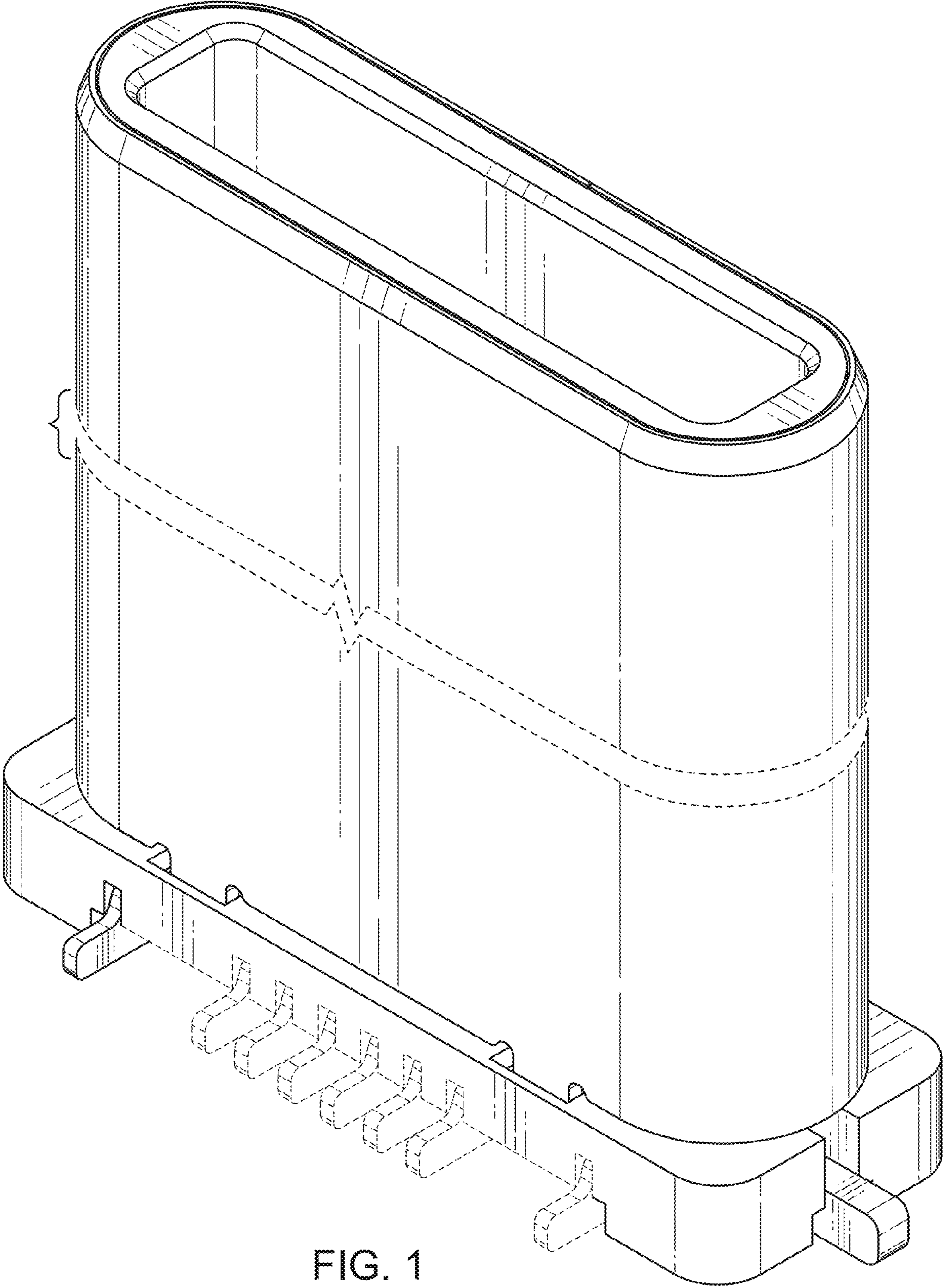


FIG. 1

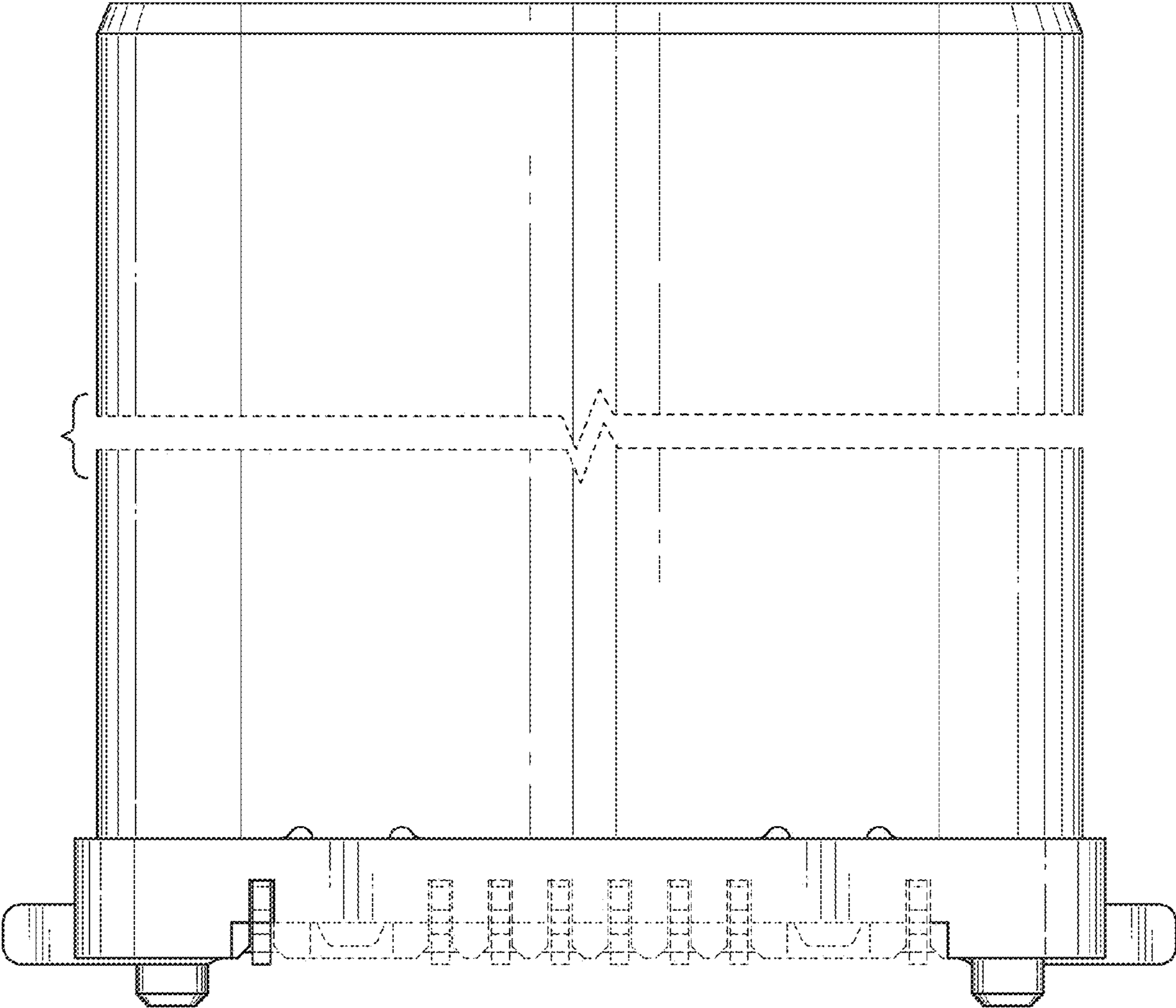


FIG. 2

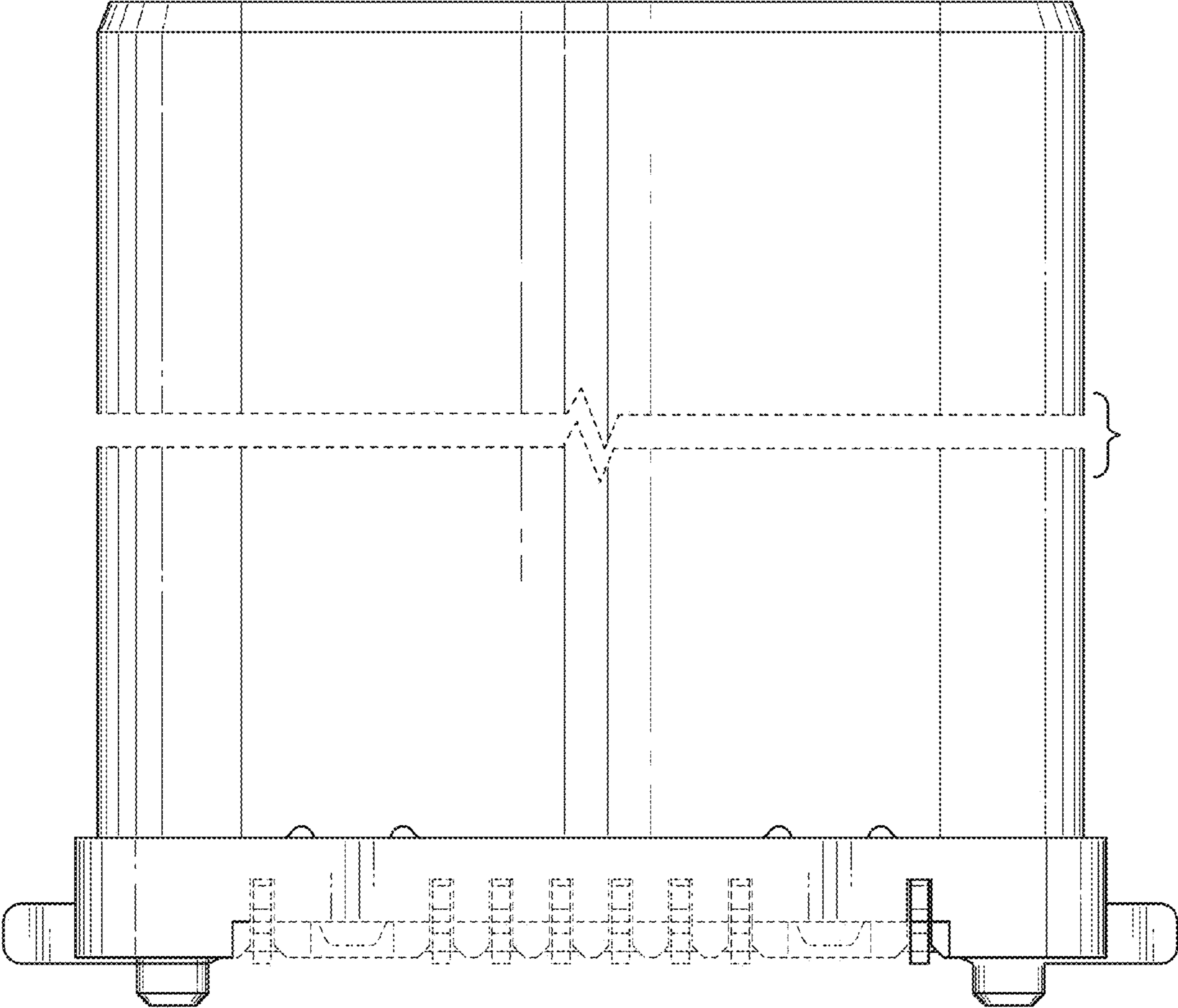


FIG. 3

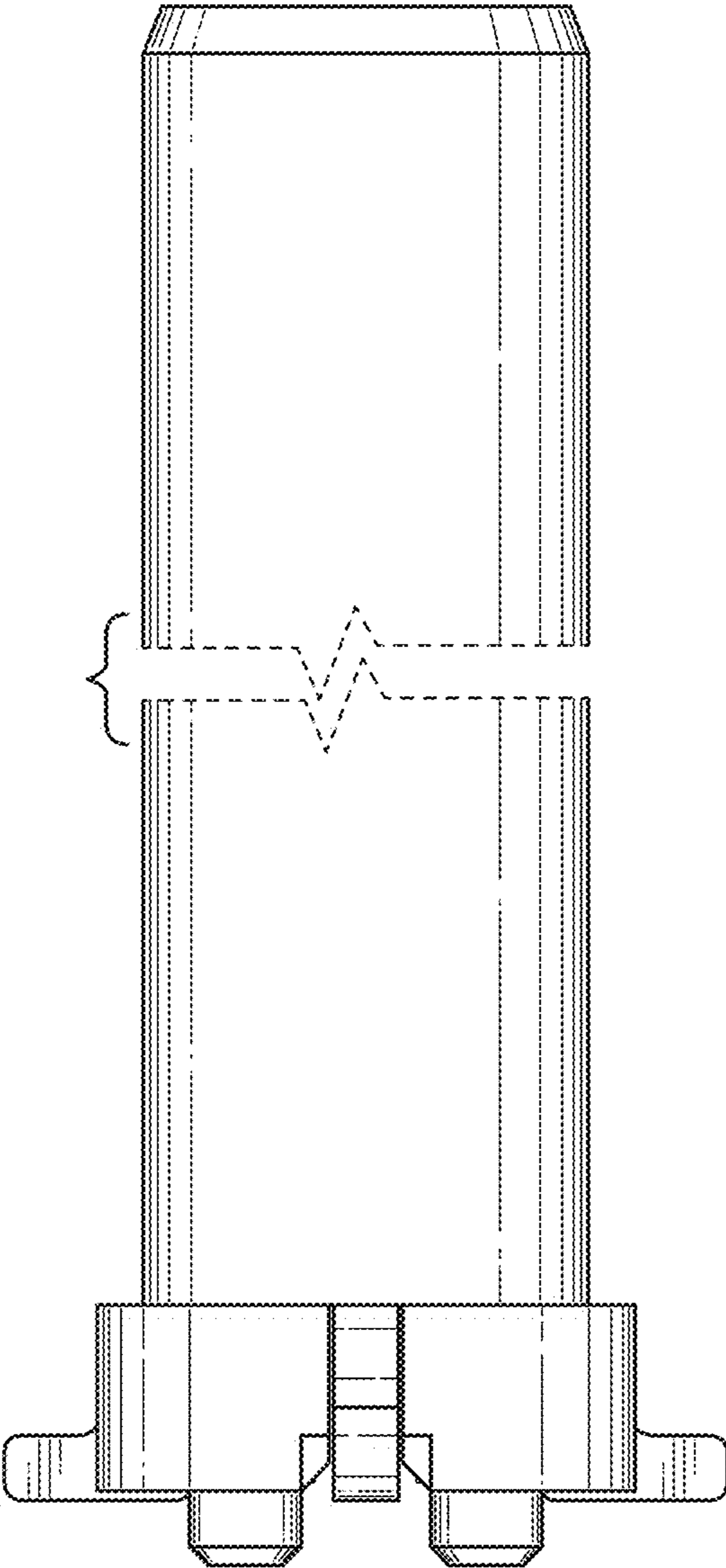


FIG. 4

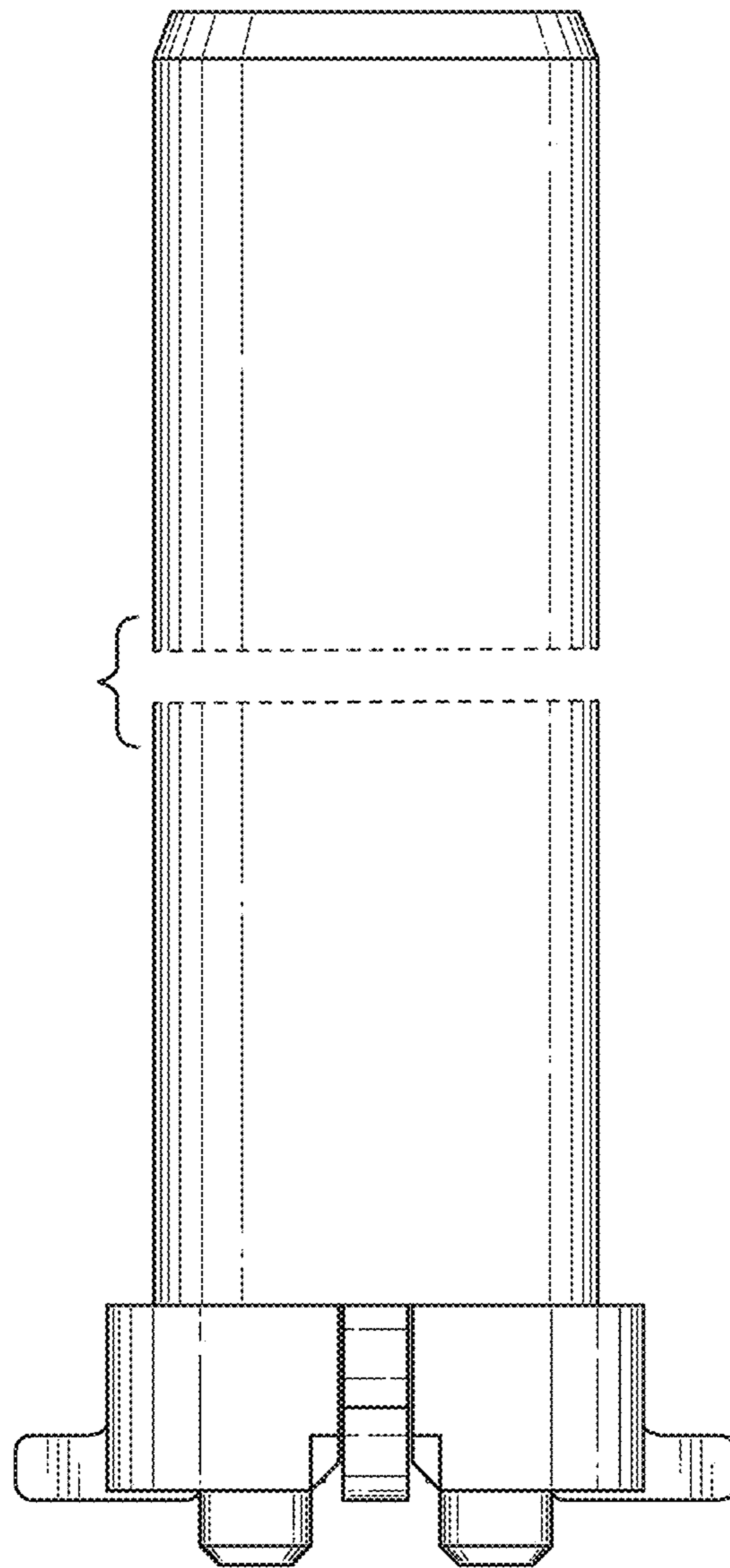


FIG. 5

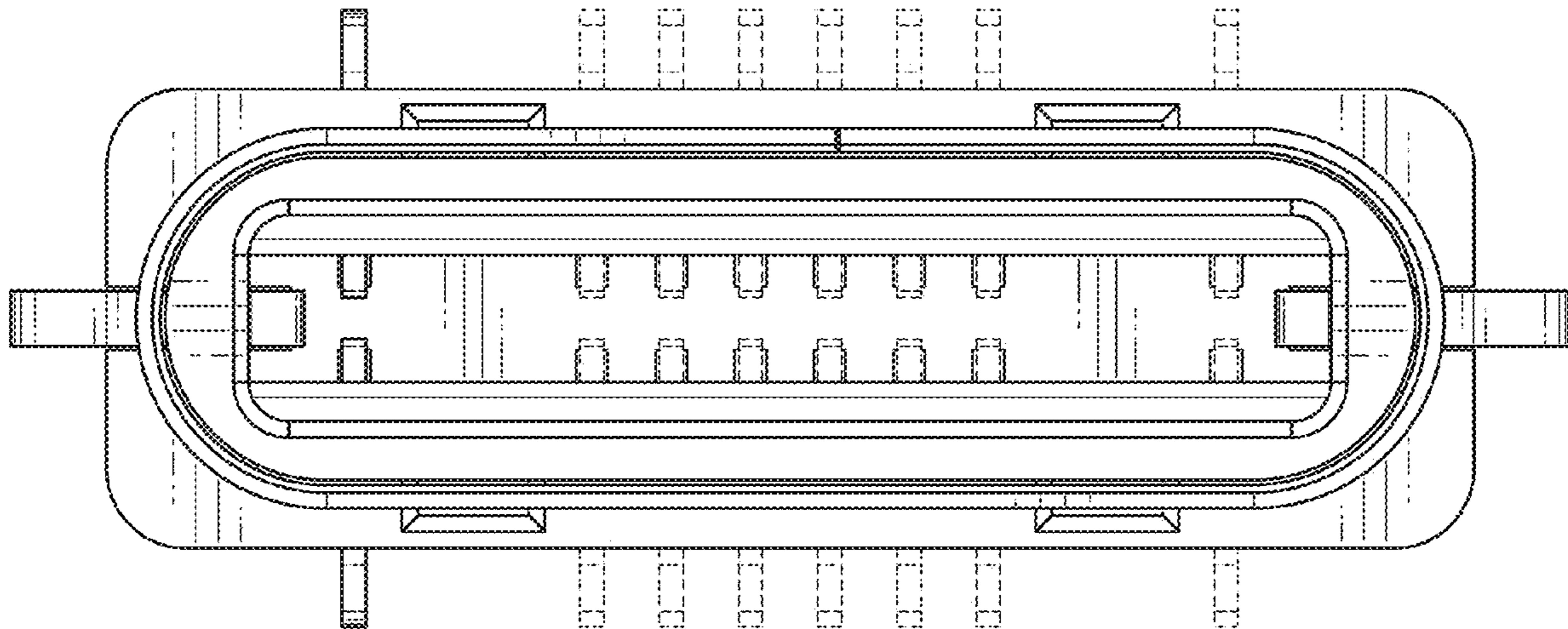


FIG. 6



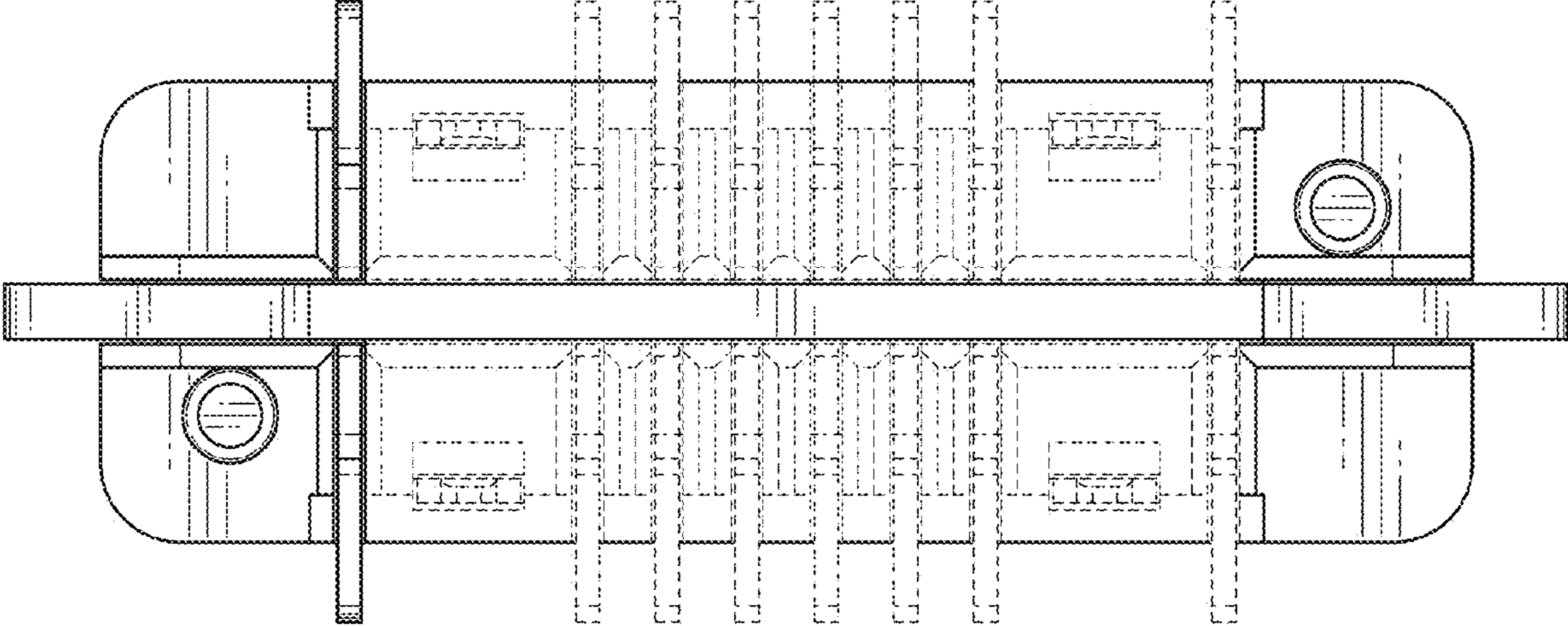


FIG. 7