

US00D947784S

(12) **United States Design Patent**
Ogorek et al.

(10) **Patent No.:** **US D947,784 S**

(45) **Date of Patent:** **** Apr. 5, 2022**

(54) **FIELD POWER SELECTOR**

(71) Applicant: **ABB Schweiz AG**, Baden (CH)

(72) Inventors: **Richard Ogorek**, Sagamore Hills, OH (US); **David Mielnik**, Painsville, OH (US); **Krzysztof Miedza**, Bay Village, OH (US)

(73) Assignee: **ABB Schweiz AG**, Baden (CH)

(**) Term: **15 Years**

(21) Appl. No.: **29/679,851**

(22) Filed: **Feb. 11, 2019**

(51) **LOC (13) Cl.** **13-03**

(52) **U.S. Cl.**
USPC **D13/146**; D13/147

(58) **Field of Classification Search**
USPC ... D13/110, 123, 133, 146, 147, 162.1, 173,
D13/184, 199; D14/256
CPC G05B 19/10; G05B 19/0423; G05B
2219/31121; H05K 1/18; H05K 7/1478;
H05K 7/1472; H01R 13/11
See application file for complete search history.

(56) **References Cited**

U.S. PATENT DOCUMENTS

- 4,585,290 A * 4/1986 Knickerbocker G01R 1/0416
439/395
- D298,932 S * 12/1988 Knickerbocker D13/147
- D319,425 S * 8/1991 Bibbiani D13/123
- 5,556,301 A * 9/1996 Chishima H01R 13/53
439/101
- 5,995,617 A * 11/1999 Tuvy H01R 9/24
379/326
- 6,068,508 A * 5/2000 Daoud H04Q 1/136
439/490
- 6,146,024 A * 11/2000 Melchior G02B 6/3834
385/59
- D438,843 S * 3/2001 Middlehurst D13/147

- D506,727 S * 6/2005 Taguchi D13/133
- D526,276 S * 8/2006 Shiraishi D13/146
- D611,418 S * 3/2010 Kato D13/147
- D634,275 S * 3/2011 Bower D13/147
- D713,343 S * 9/2014 Lee D13/133
- D736,160 S * 8/2015 Chen D13/146
- 10,002,091 B2 * 6/2018 Yang G06F 11/2028
- 10,462,924 B2 * 10/2019 Mielnik H05K 7/1467
- 10,551,815 B2 * 2/2020 Ott G05B 19/0423
- 10,845,773 B2 * 11/2020 Mielnik H05K 7/1478

(Continued)

Primary Examiner — Selina Sikder

(74) *Attorney, Agent, or Firm* — Leydig, Voit & Mayer, Ltd.

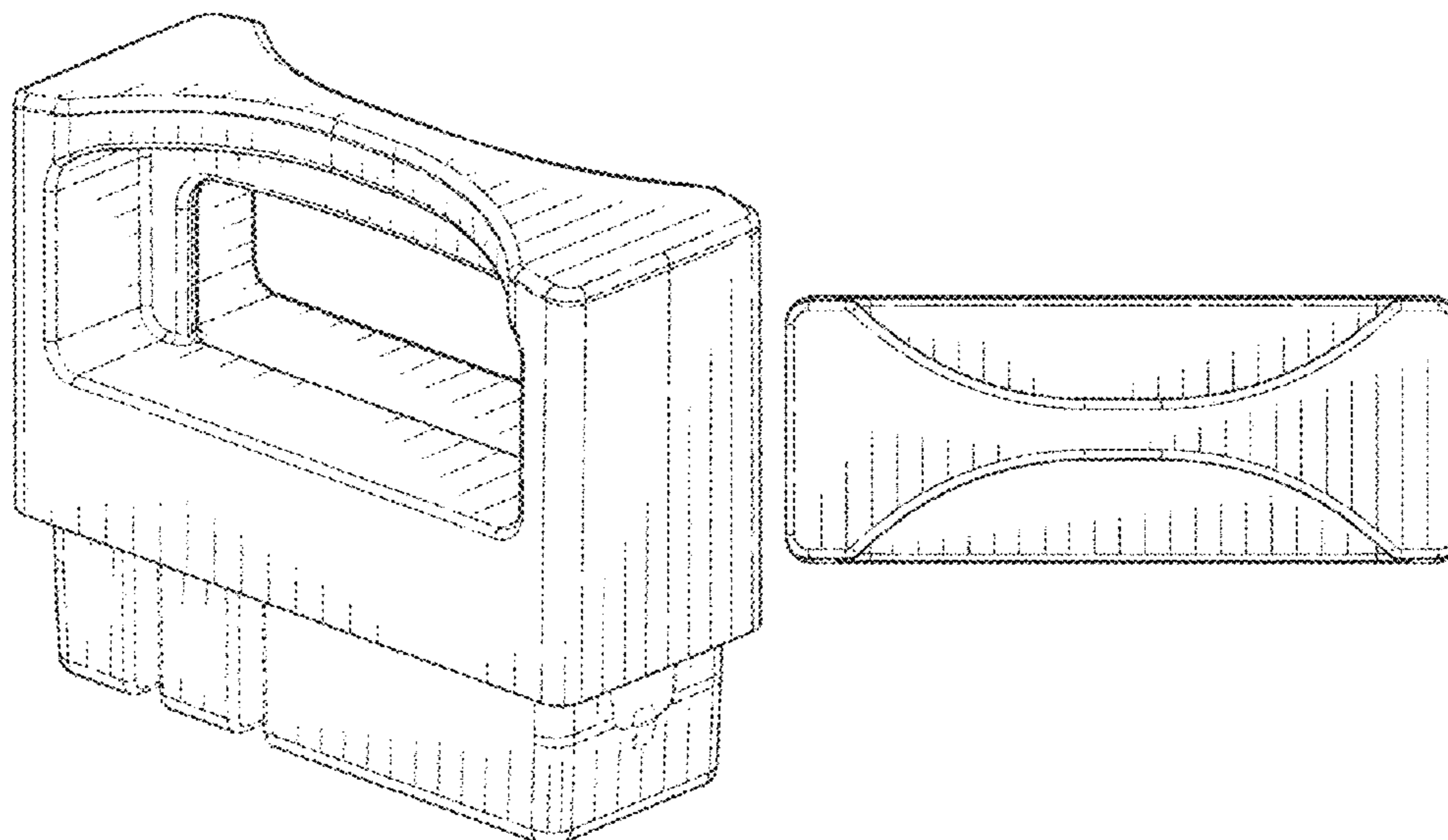
(57) **CLAIM**

The ornamental design for a field power selector, as shown and described.

DESCRIPTION

FIG. 1 is a front perspective view of a first embodiment of the field power selector;
 FIG. 2 is a back perspective view thereof;
 FIG. 3 is a front elevation view thereof;
 FIG. 4 is a back elevation view thereof;
 FIG. 5 is a right side elevation view thereof;
 FIG. 6 is a left side elevation view thereof;
 FIG. 7 is a top plan view thereof;
 FIG. 8 is a bottom plan view thereof;
 FIG. 9 is a front perspective view of a second embodiment of the field power selector; the back, right, left, and top views being identical to those shown in FIGS. 3-7.
 FIG. 10 is a front elevation view thereof; and,
 FIG. 11 is a bottom plan view thereof.
 The broken lines shown in the figures are for the purpose of illustrating portions of the field power selector that form no part of the claimed design.

1 Claim, 7 Drawing Sheets



(56)

References Cited

U.S. PATENT DOCUMENTS

2013/0344729 A1* 12/2013 Hung H01R 13/11
439/374
2020/0014149 A1* 1/2020 Chen H01R 13/2492
2020/0272119 A1* 8/2020 Mielnik H05K 1/18
2021/0075145 A1* 3/2021 Hung H01R 43/16
2021/0100124 A1* 4/2021 Wrobel H05K 7/1484
2021/0151939 A1* 5/2021 Hsueh H01R 13/6599

* cited by examiner

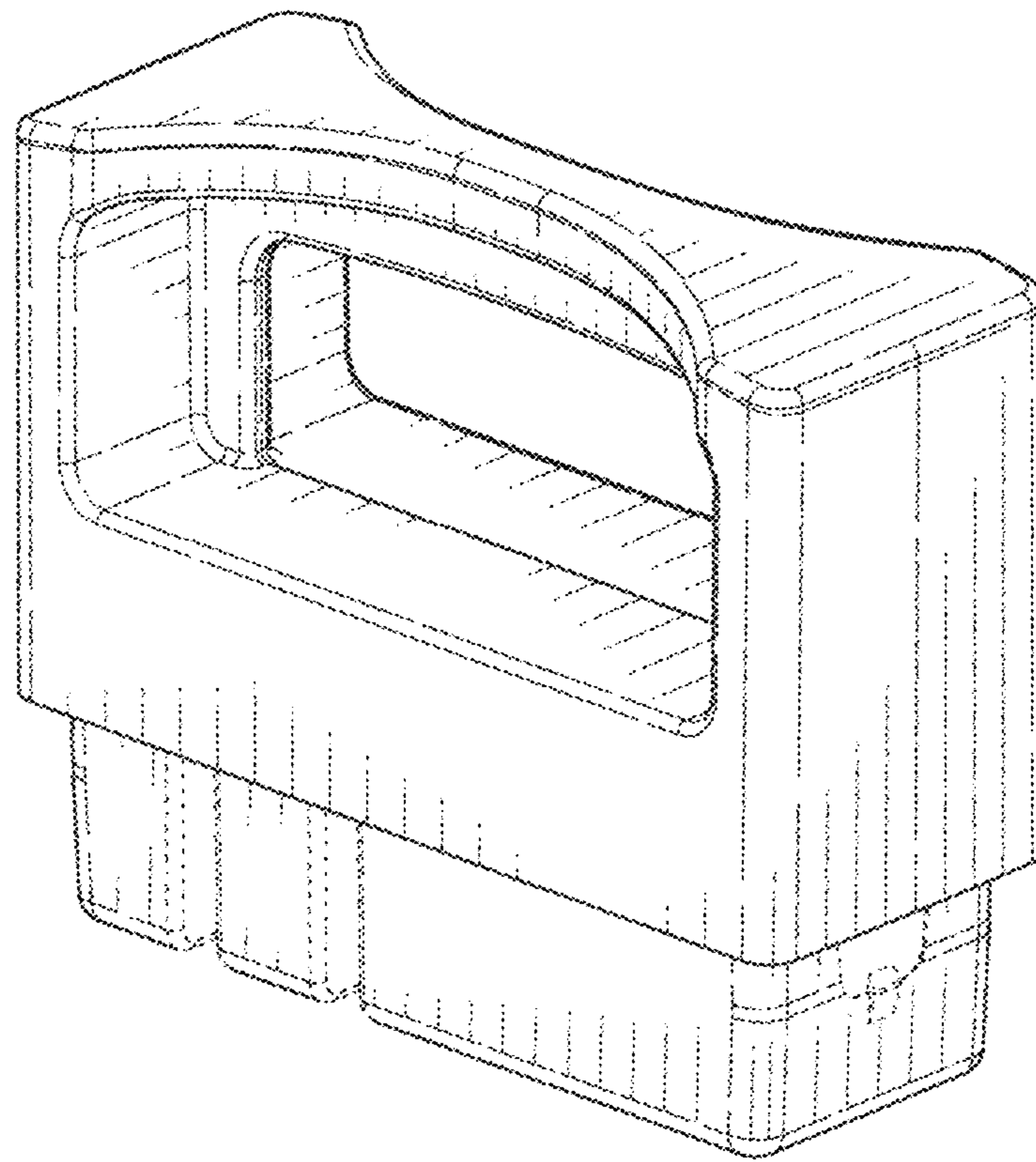


FIG. 1

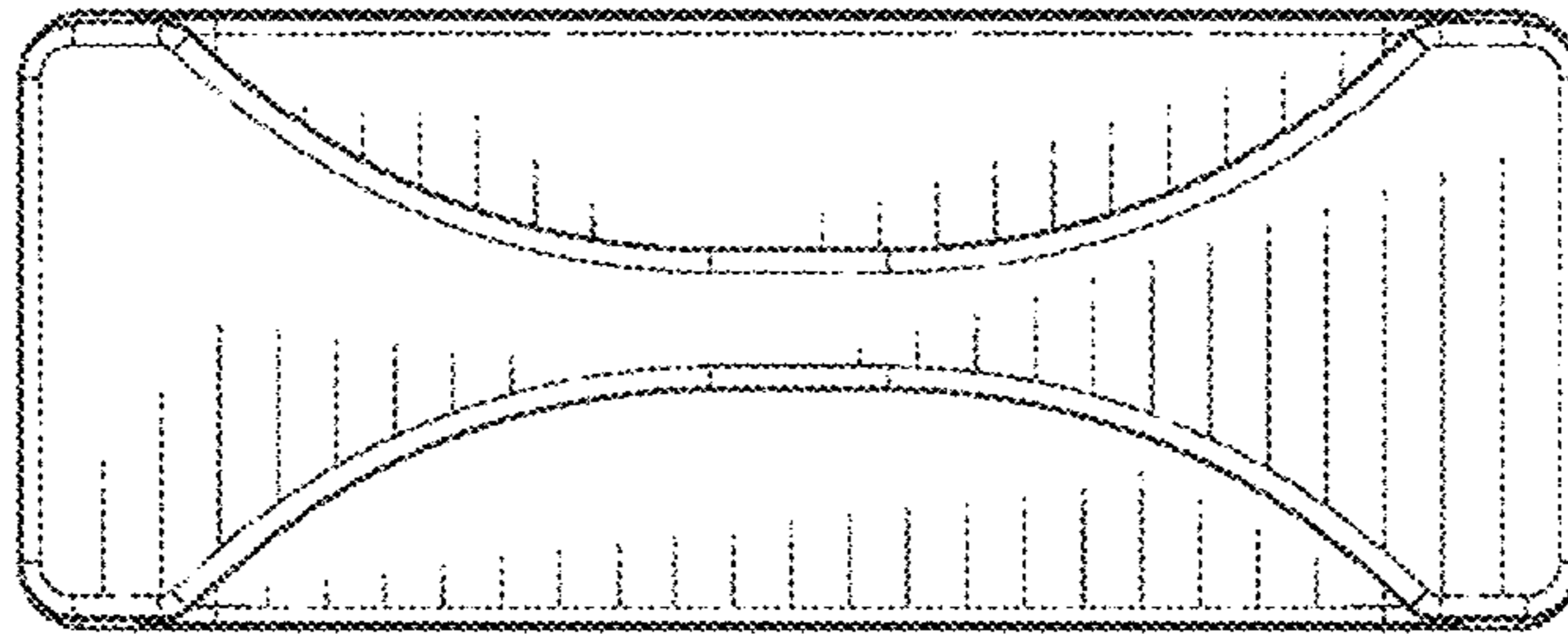


FIG. 2

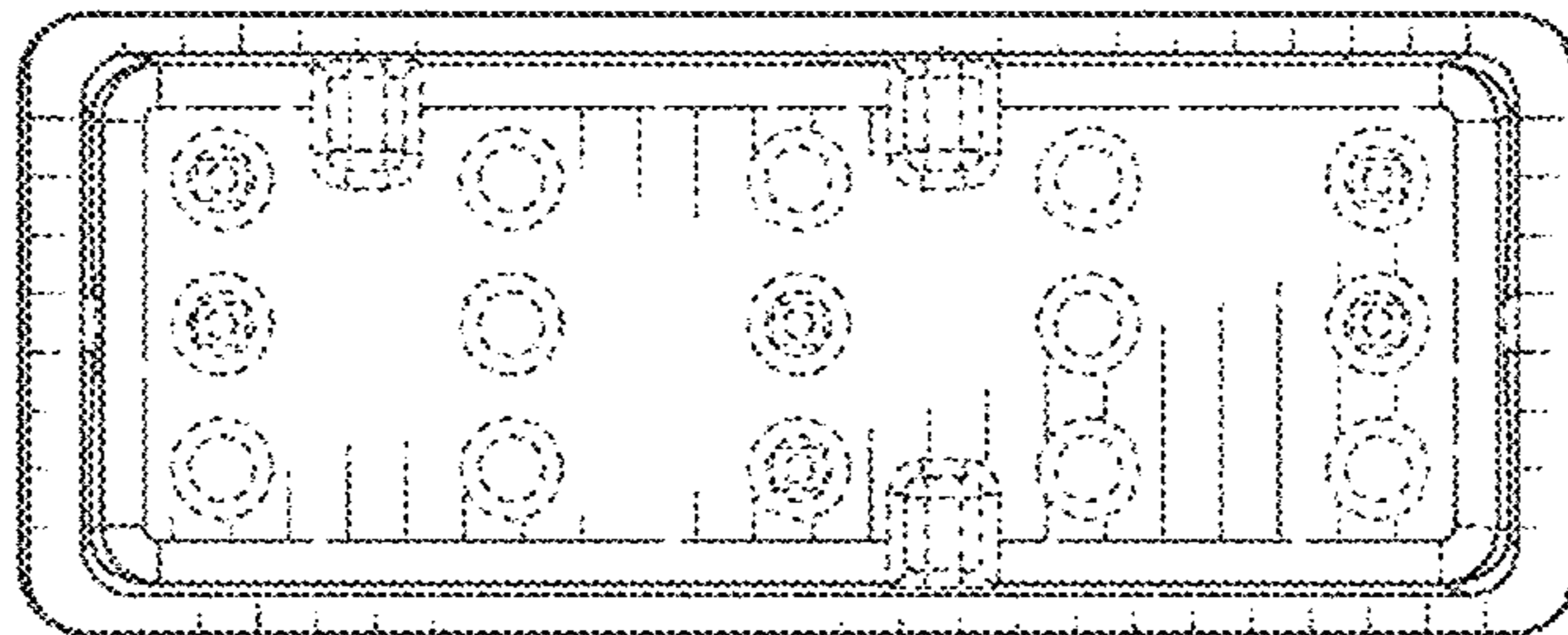


FIG. 3

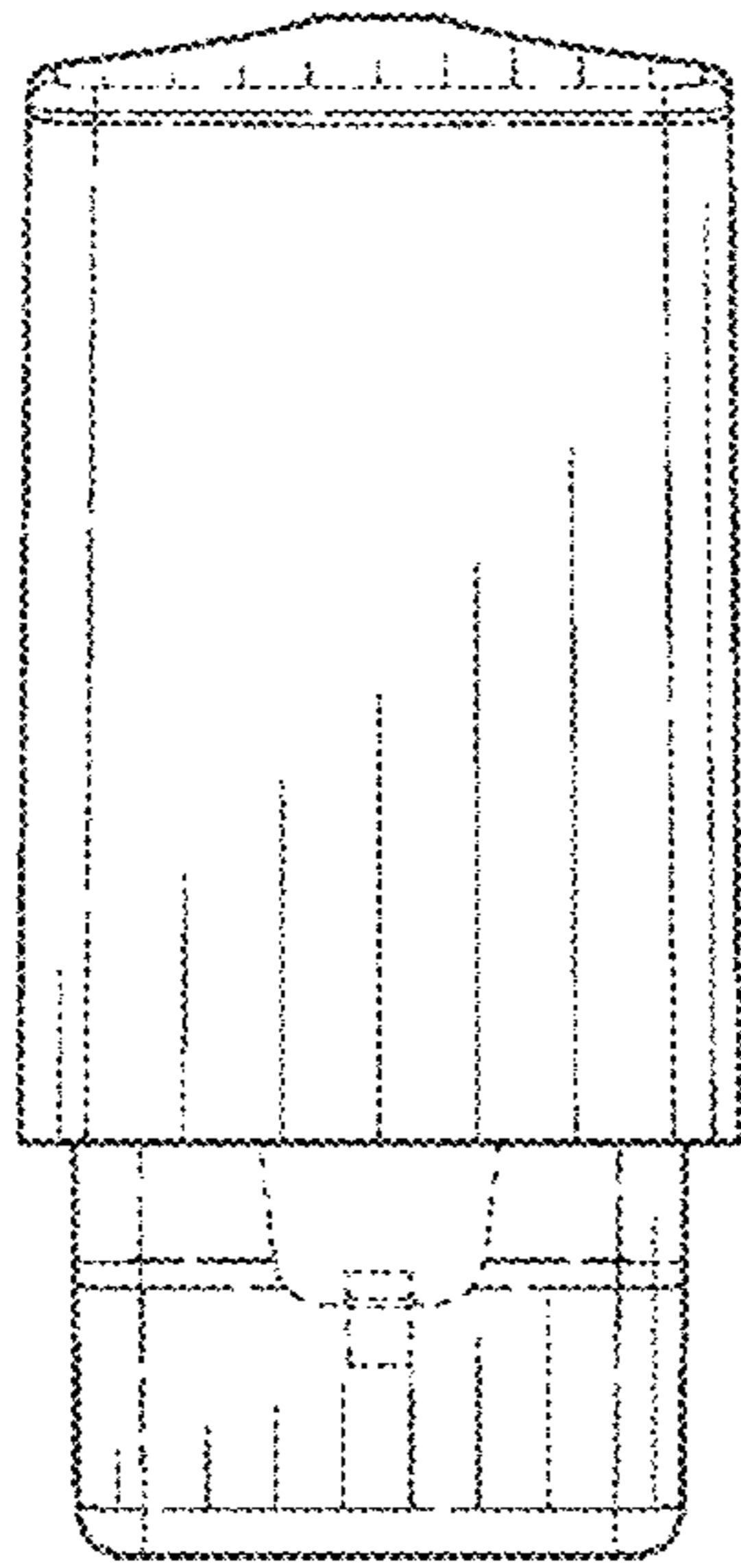


FIG. 4

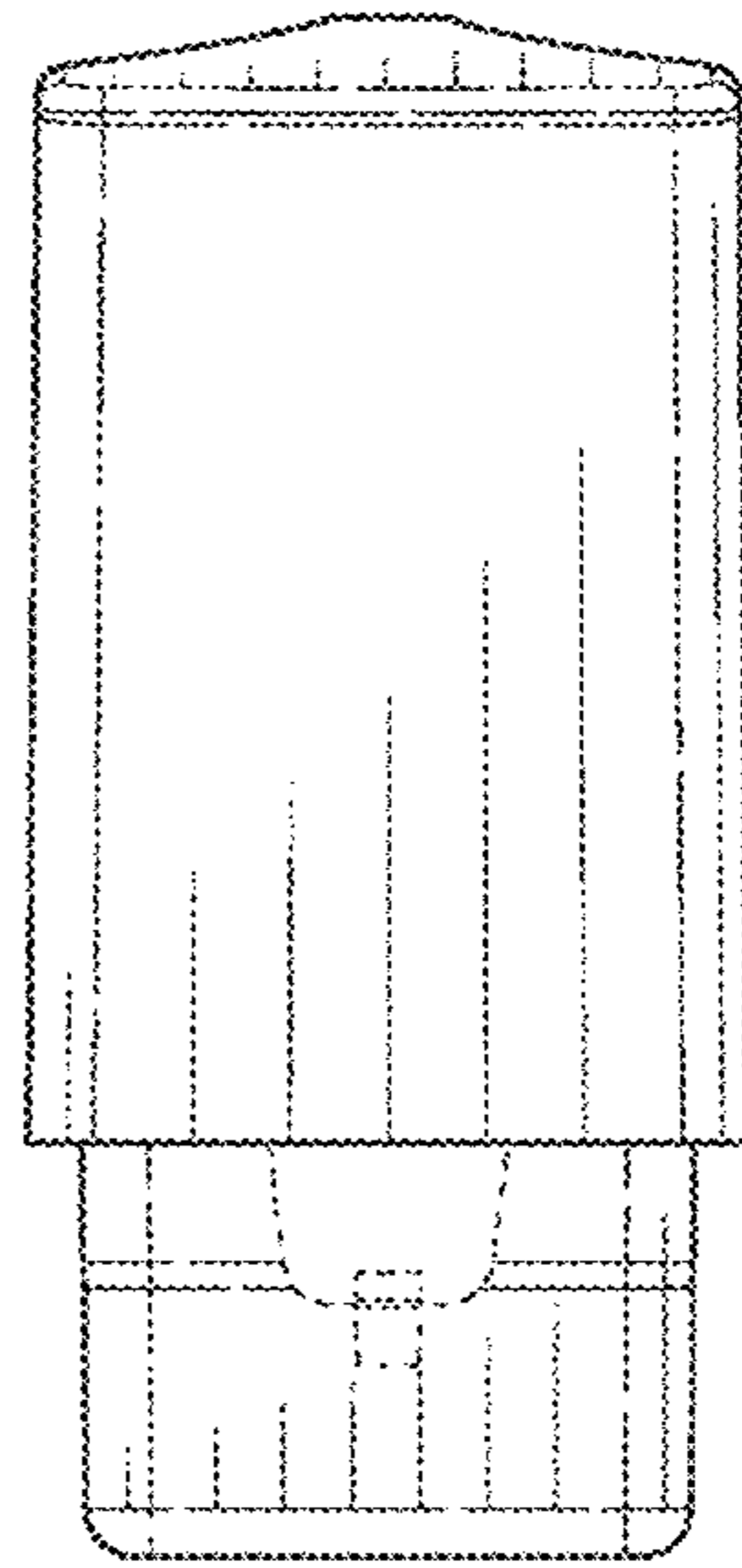


FIG. 5

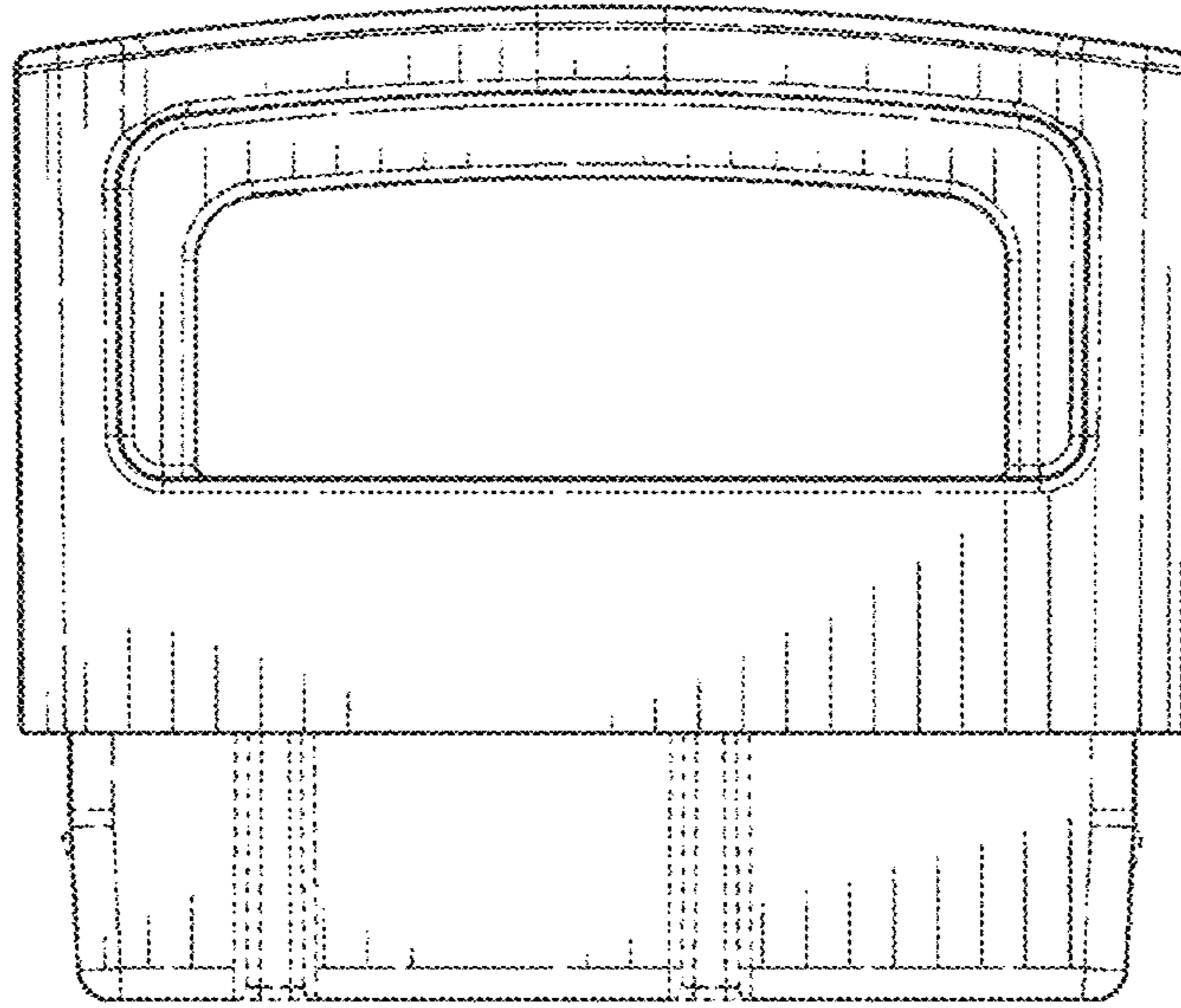


FIG. 6

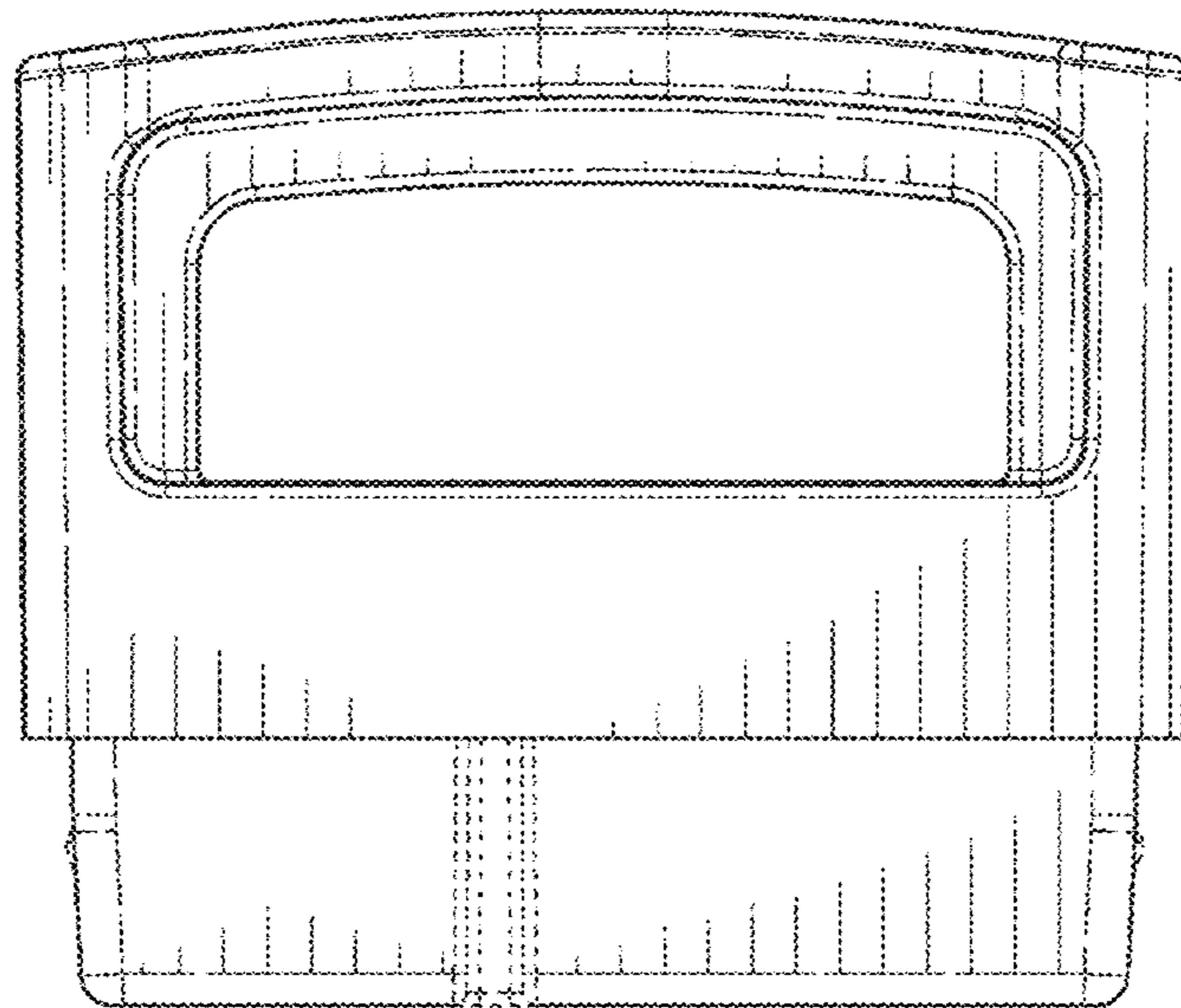


FIG. 7

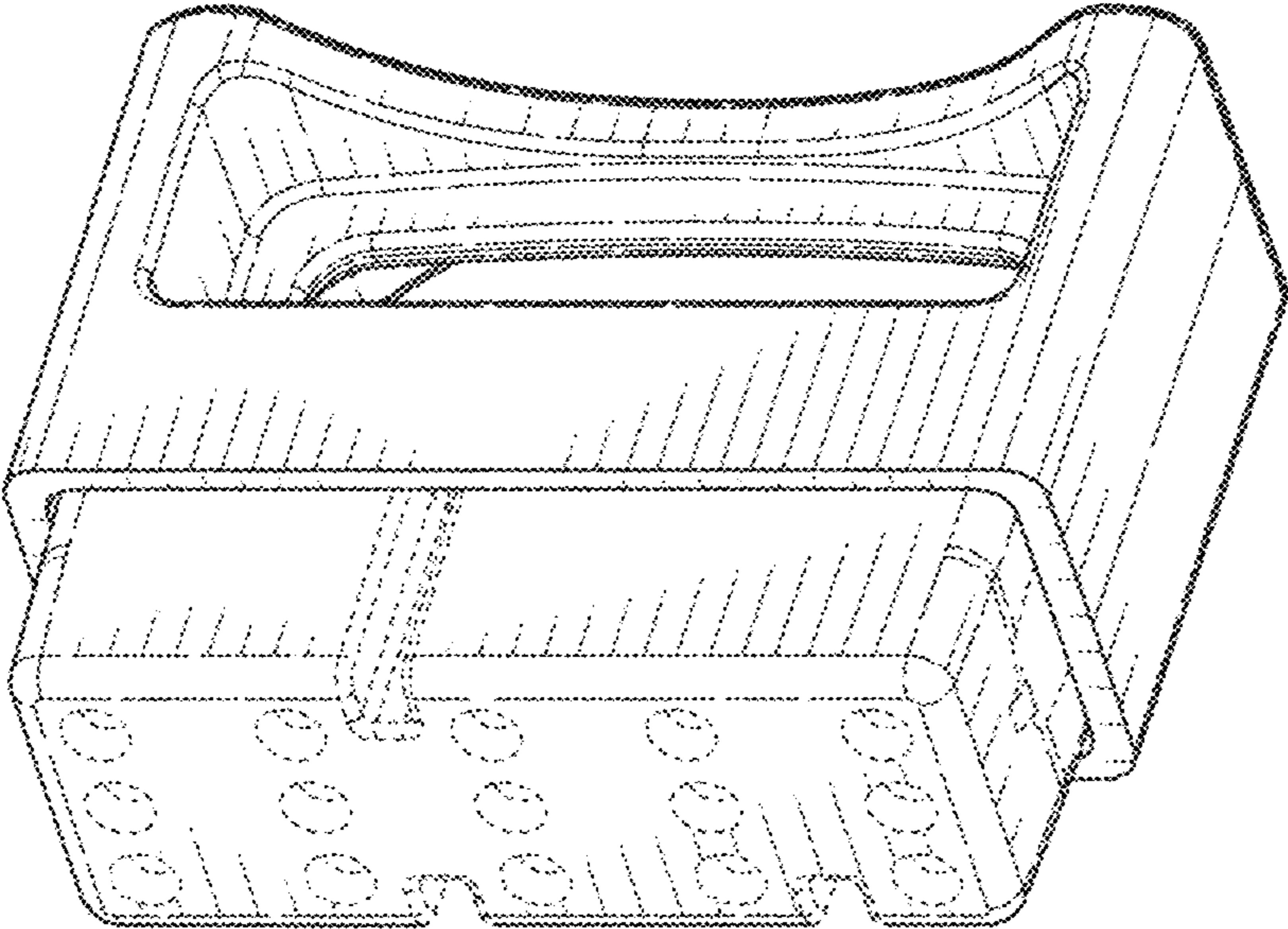


FIG. 8

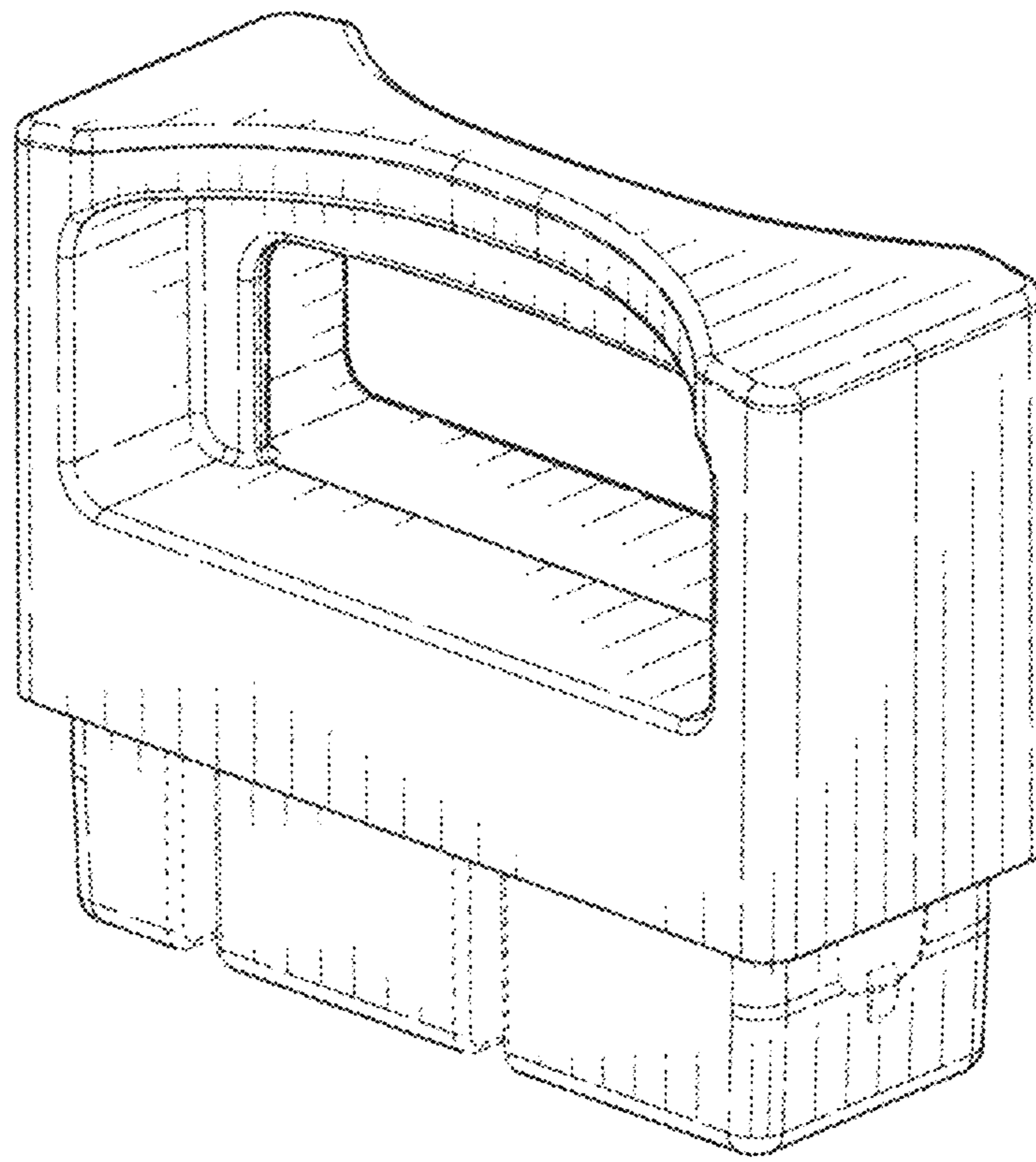


FIG. 9

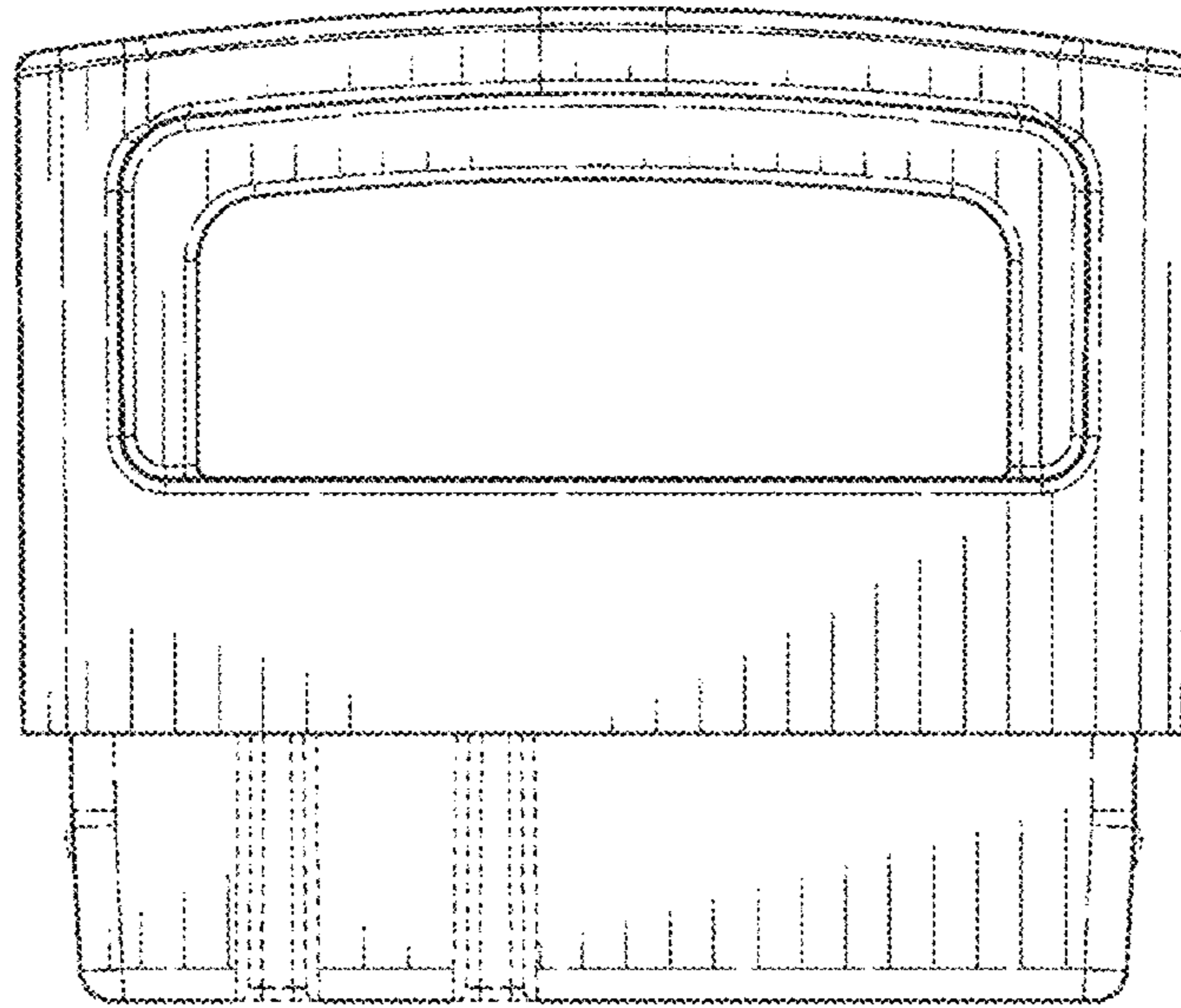


FIG. 10

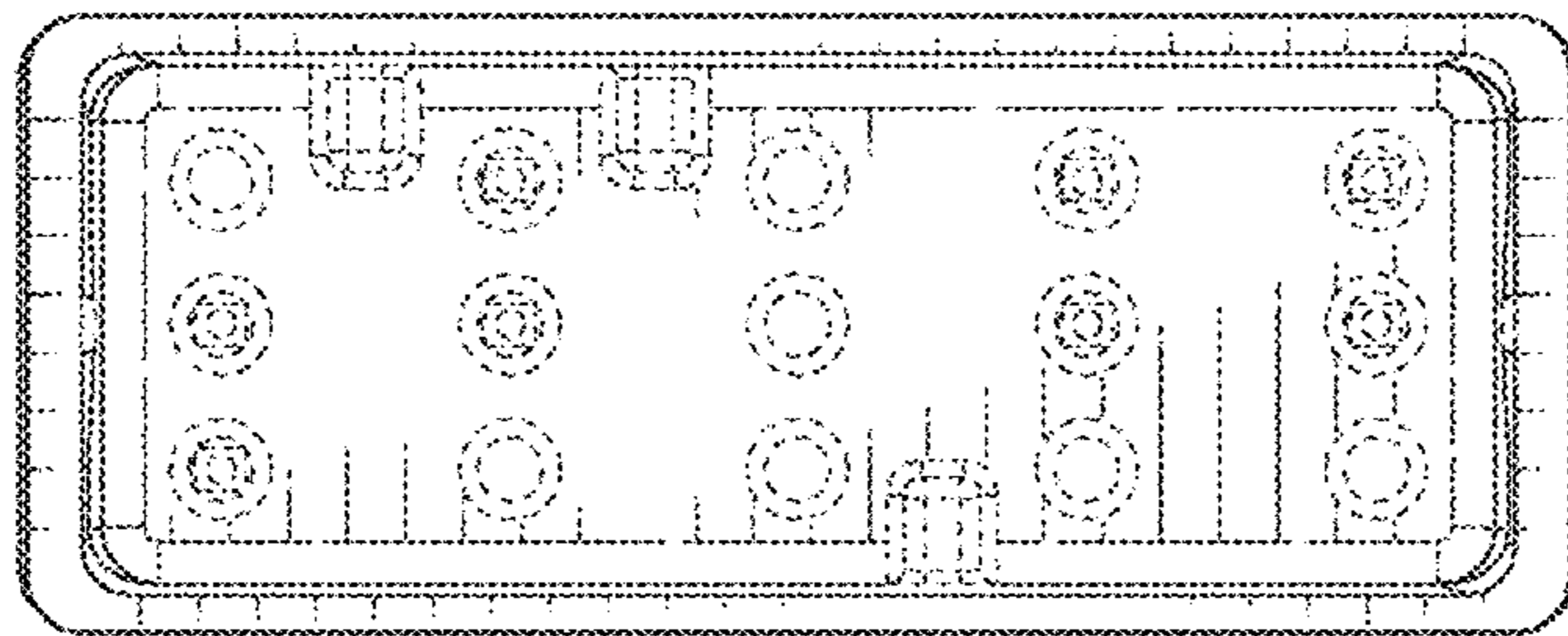


FIG. 11