



US00D947783S

(12) **United States Design Patent**  
**Wu**

(10) **Patent No.:** **US D947,783 S**  
(45) **Date of Patent:** **\*\* Apr. 5, 2022**

(54) **POWER STRIP**

(71) Applicant: **JURONG XINCHANGXIN DIANZI KEJI CO., LTD**, Zhenjiang (CN)

(72) Inventor: **Xiaoping Wu**, Zhenjiang (CN)

(73) Assignee: **JURONG XINCHANGXIN DIANZI KEJI CO., LTD**, Zhenjiang (CN)

(\*\*) Term: **15 Years**

(21) Appl. No.: **29/769,649**

(22) Filed: **Feb. 7, 2021**

(51) **LOC (13) Cl.** ..... **13-03**

(52) **U.S. Cl.**  
USPC ..... **D13/139.8**

(58) **Field of Classification Search**

USPC ..... D13/137.1, 137.2, 137.3, 137.4, 138.1, D13/138.2, 139.1, 139.2, 139.3, 139.4, D13/139.5, 139.6, 139.7, 139.8, 103, 107, D13/108, 110, 119, 123, 133, 145, 152, D13/153, 154, 156, 158, 160, 162, 177, D13/184, 199

CPC ..... H01R 13/00; H01R 13/03; H01R 13/04; H01R 13/10; H01R 13/35; H01R 13/44; H01R 13/453; H01R 13/4534; H01R 13/502; H01R 13/514; H01R 13/631; H01R 13/639; H01R 13/6633; H01R 13/6666; H01R 13/6675; H01R 13/7135; H01R 31/02; H01R 31/06; H01R 31/065

See application file for complete search history.

(56) **References Cited**

**U.S. PATENT DOCUMENTS**

D409,978 S \* 5/1999 Stekelenburg ..... D13/139.6  
D574,328 S \* 8/2008 Chen ..... D13/139.6  
D705,732 S \* 5/2014 Lee ..... D13/137.2

(Continued)

**FOREIGN PATENT DOCUMENTS**

GB 6140071 \* 5/2021  
IL 59593 \* 11/2018  
KR 300781978.0000 \* 2/2015

**OTHER PUBLICATIONS**

“Power Strip, QINLIANF Surge Protector with 8 Outlets and 4 USB Ports, 6 Feet Extension Cord, 2100 Joules, ETL Listed, White”, first available Aug. 17, 2021. Amazon.com [https://www.amazon.com/dp/B09CT9JPCF] (Year: 2021).\*

(Continued)

*Primary Examiner* — Rosemary K Tarcza

*Assistant Examiner* — Seth David Kumpf

(57) **CLAIM**

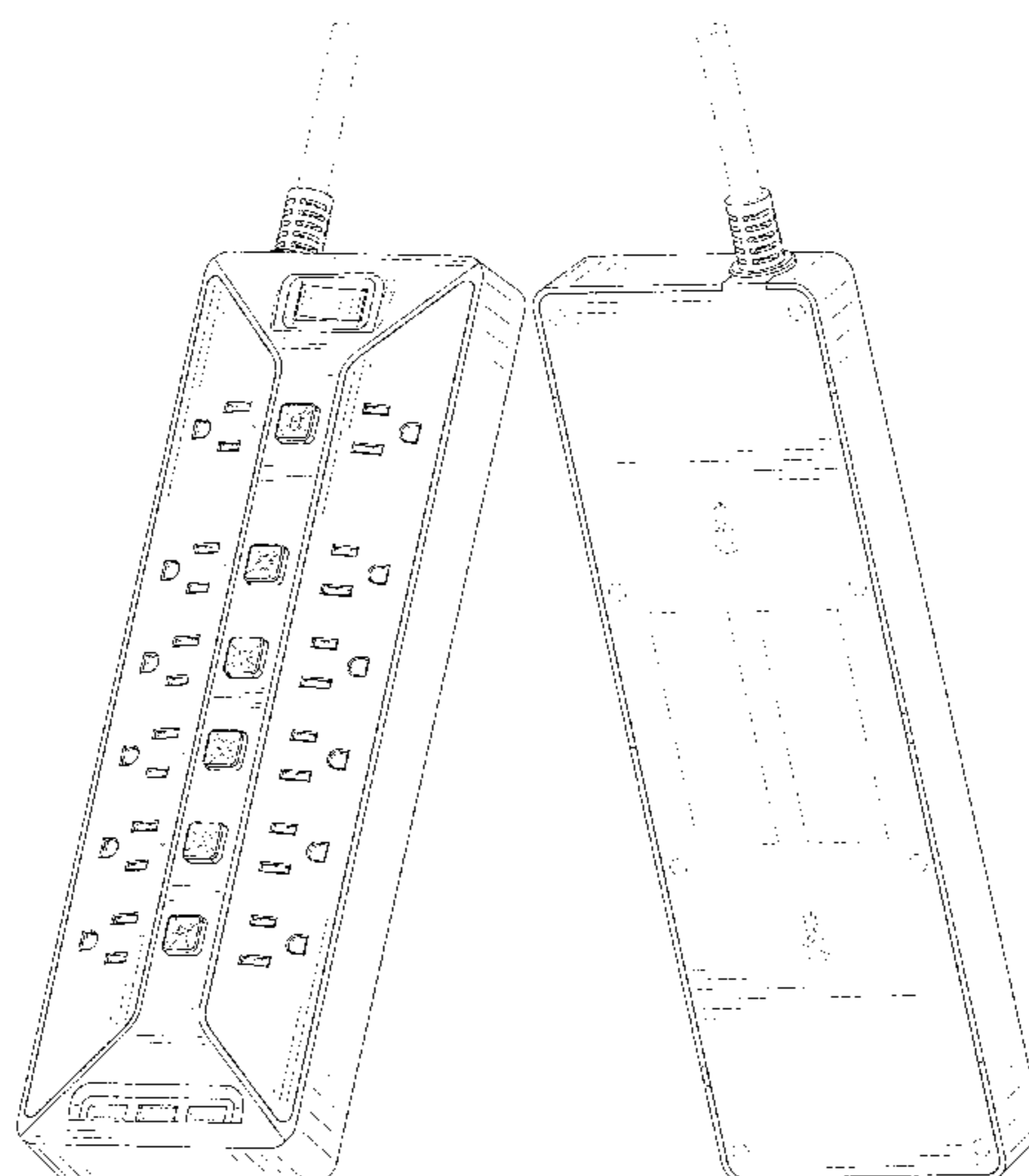
The ornamental design for a power strip, as shown and described.

**DESCRIPTION**

FIG. 1 is a perspective view of a first embodiment of a power strip showing my new design;  
FIG. 2 is another perspective view thereof;  
FIG. 3 is a front elevational view thereof;  
FIG. 4 is a rear elevational view thereof;  
FIG. 5 is a left side elevational view thereof;  
FIG. 6 is a right side elevational view thereof;  
FIG. 7 is a top plan view thereof;  
FIG. 8 is a bottom plan view thereof;  
FIG. 9 is a perspective view of a second embodiment of the power strip showing my new design;  
FIG. 10 is another perspective view thereof;  
FIG. 11 is a front elevational view thereof;  
FIG. 12 is a rear elevational view thereof;  
FIG. 13 is a left side elevational view thereof;  
FIG. 14 is a right side elevational view thereof;  
FIG. 15 is a top plan view thereof; and,  
FIG. 16 is a bottom plan view thereof.

The broken lines in the drawings depict portions of the power strip that form no part of the claimed design.

**1 Claim, 16 Drawing Sheets**



(56)

References Cited

U.S. PATENT DOCUMENTS

D775,081 S \* 12/2016 Xu ..... D13/139.6  
 D794,029 S \* 8/2017 Lin  
 D796,445 S \* 9/2017 Xu ..... D13/139.6  
 D816,039 S \* 4/2018 Lu ..... D13/139.8  
 D834,520 S \* 11/2018 Eshelman et al.  
 D864,874 S \* 10/2019 Xu ..... D13/139.8  
 D900,033 S \* 10/2020 Chen ..... D13/137.2  
 D900,748 S \* 11/2020 Chen ..... D13/137.2  
 D904,983 S \* 12/2020 Chen ..... D13/139.8  
 D908,631 S \* 1/2021 Yu ..... D13/137.2  
 D913,243 S \* 3/2021 Chan ..... D13/137.2  
 D922,953 S \* 6/2021 Mei ..... D13/139.8  
 D922,954 S \* 6/2021 Mei ..... D13/139.8  
 D922,955 S \* 6/2021 Chen ..... D13/139.8  
 D922,956 S \* 6/2021 Yan ..... D13/139.8  
 D924,809 S \* 7/2021 Chen ..... D13/137.2  
 D931,220 S \* 9/2021 Wang ..... D13/137.2  
 D934,810 S \* 11/2021 Yan ..... D13/139.8  
 D935,410 S \* 11/2021 Tao ..... D13/137.2  
 2015/0236453 A1 \* 8/2015 Magee, Jr. .... H01R 13/6691  
 307/40

OTHER PUBLICATIONS

“Power Strip, Surge Protector Flat Plug, 12 Outlets & 3 USB Charging Ports, 1875W/15A 1700J, 6ft Extension Cord, Overload Protection, Wall Mountable for Home Office Computer TV (White)”, first available Jul. 29, 2021. Amazon.com [https://www.amazon.com/dp/B099X1DXDL] (Year: 2021).\*

“Power Strip, Alestor Surge Protector with 12 Outlets and 4 USB Ports, 6 Feet Extension Cord (1875W/15A), 2700 Joules, ETL Listed, Black”, first available Nov. 26, 2020. Amazon.com [https://www.amazon.com/dp/B08P5LRY37] (Year: 2020).\*

“Power Strip with 8 Ft, POWSAV Surge Protector with 18 Outlets and 4 USB Ports(1 USB C Outlet), 8 Feet Extension Cord (1875W/15A), 2100 Joules, ETL Listed, Black”, first available Jul. 16, 2021. Amazon.com [https://www.amazon.com/dp/B099NB3TTY] (Year: 2021).\*

“Power Strip , Tcstei Surge Protector with 8 Outlets and 4 USB Ports( 1 USB C Outlet), 6 Feet Extension Cord (1875W/15A), 2700 Joules, ETL Listed, Grey”, first available Aug. 31, 2021. Amazon.com [https://www.amazon.com/dp/B09F2XVZHK] (Year: 2021).\*

“Surge Protector Power Strip , Nuetsa Extension Cord with 8 Outlets and 4 USB Ports, 6 Feet Power Cord (1625W/13A) , 2700 Joules, ETL Listed, Black”, first available Aug. 31, 2021. Amazon.com [https://www.amazon.com/dp/B09F2XPJ47] (Year: 2021).\*

“Power Strip , Tcstei Surge Protector with 12 Outlets and 4 USB Ports, 6 Feet Extension Cord (1875W/15A) for for Home, Office, Dorm Essentials, 2700 Joules, ETL Listed, (Black)”, first available Nov. 30, 2020. Amazon.com [https://www.amazon.com/dp/B08PC872RL] (Year: 2020).\*

\* cited by examiner

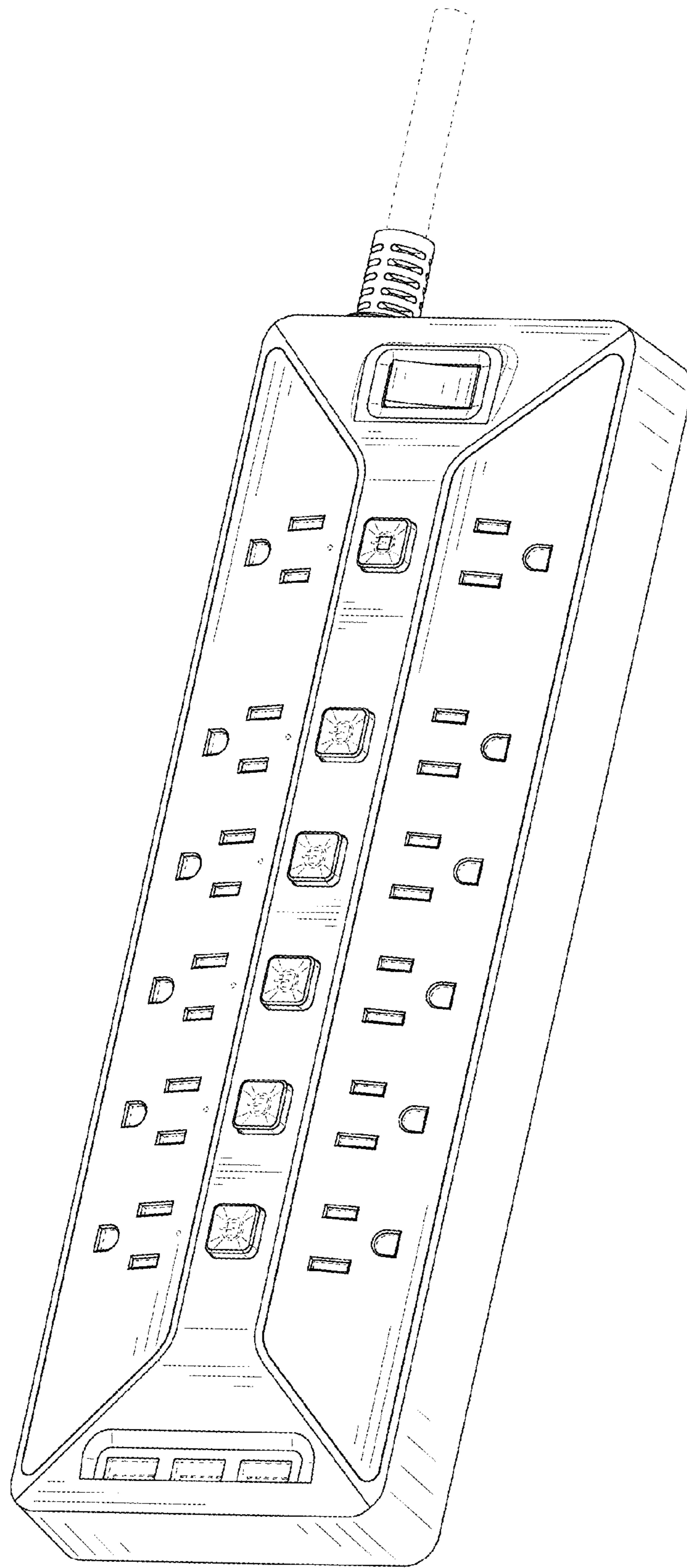


FIG. 1

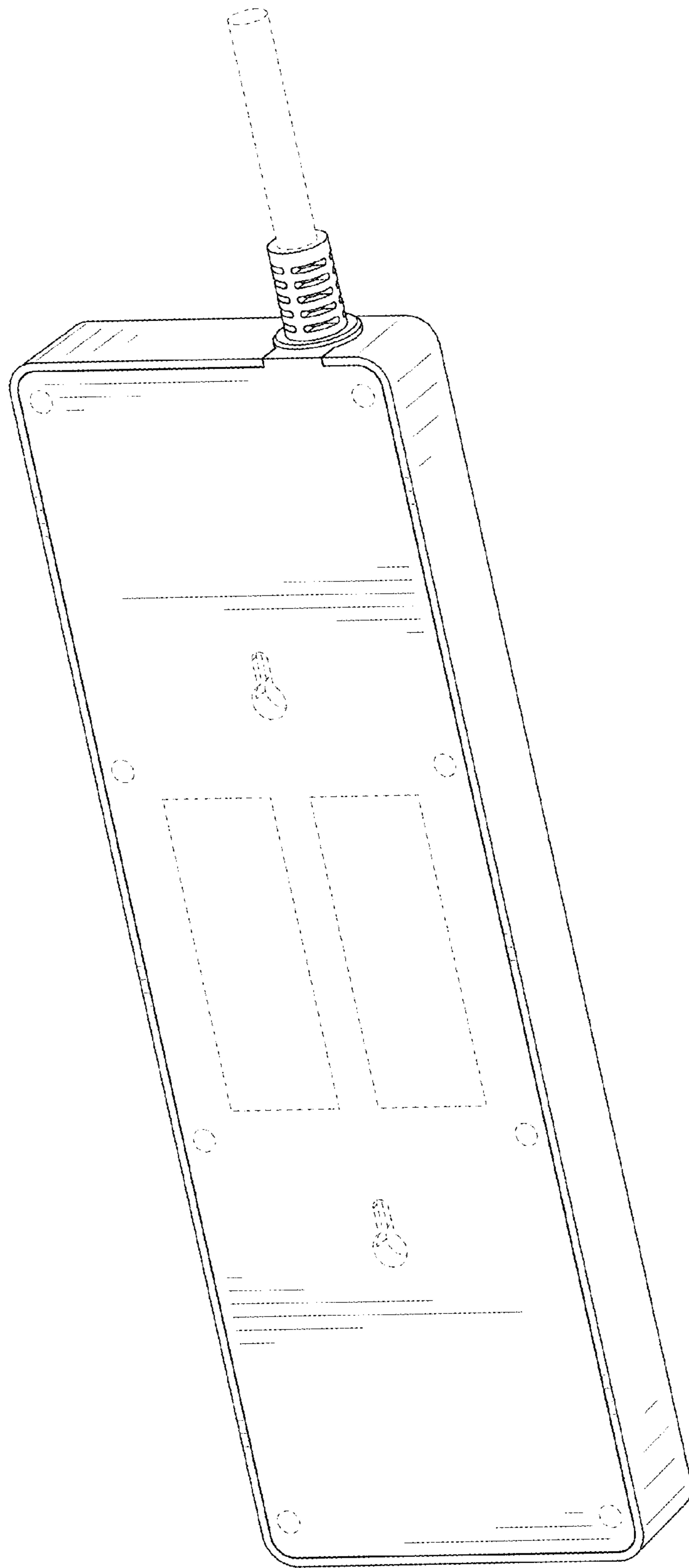


FIG. 2

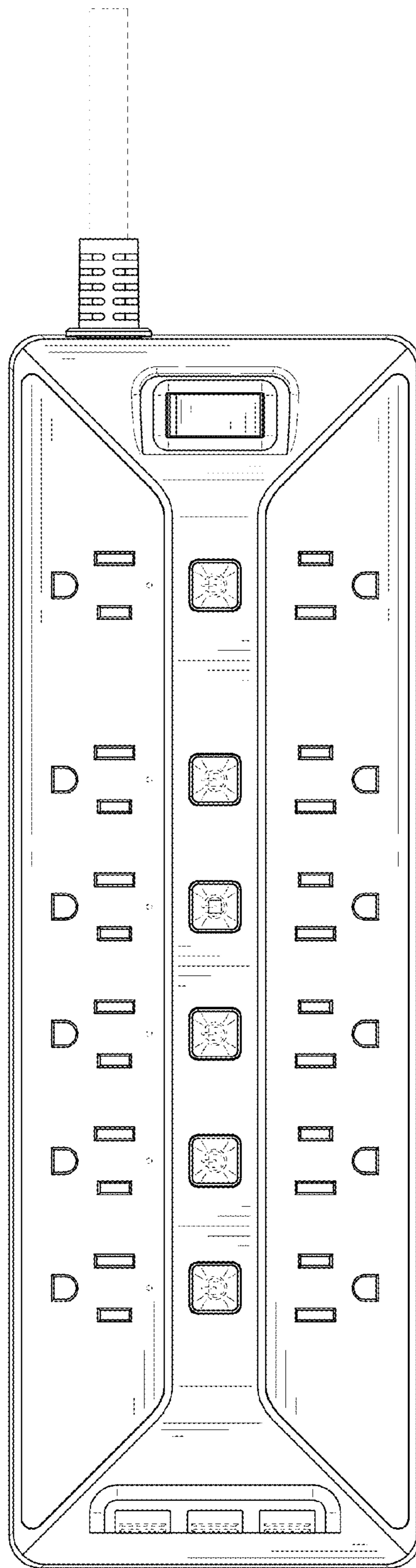


FIG. 3

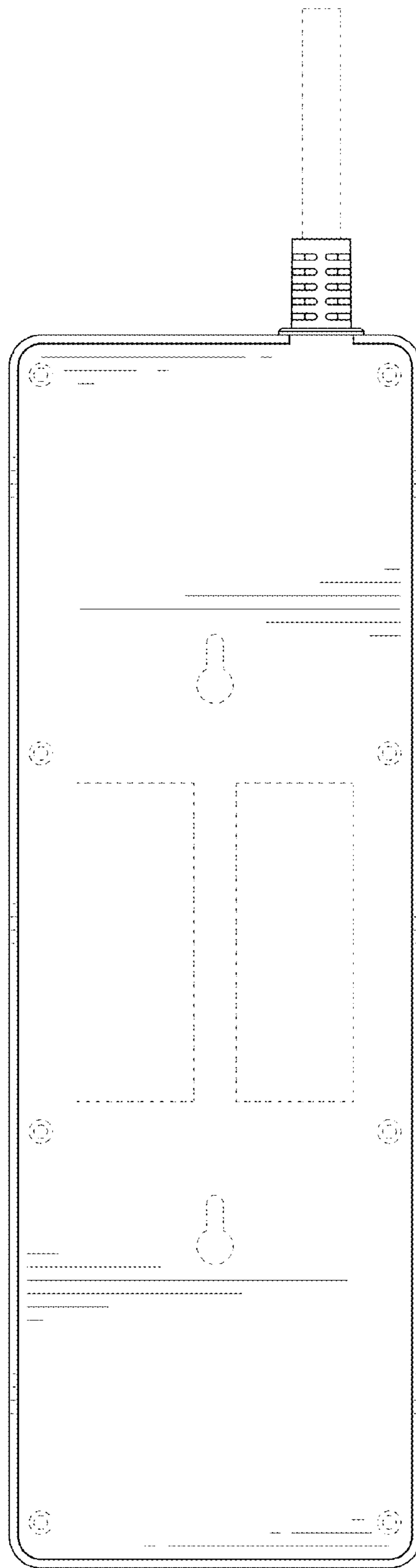


FIG. 4

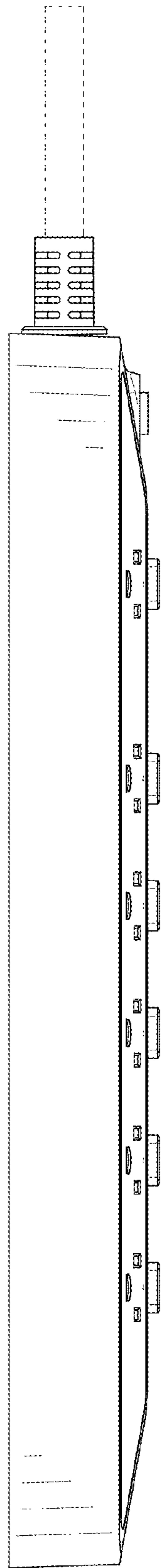


FIG. 5

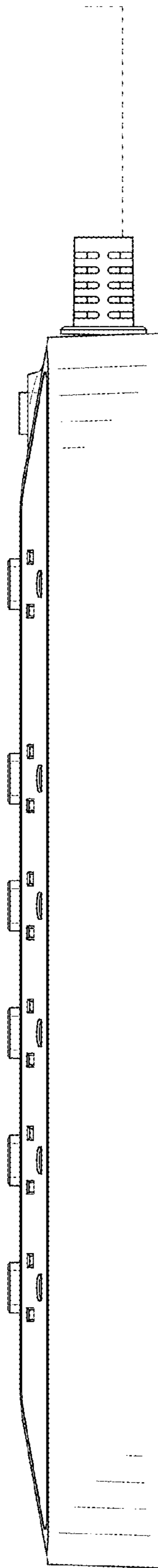


FIG. 6



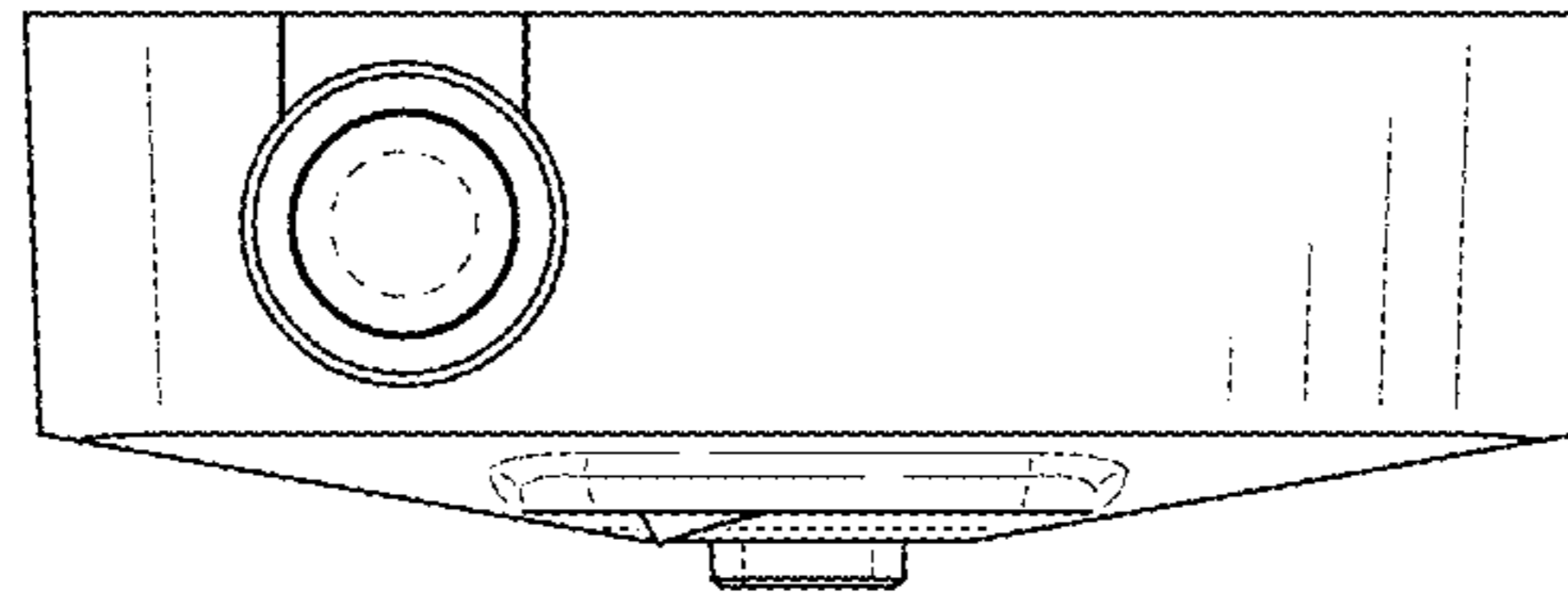


FIG. 7

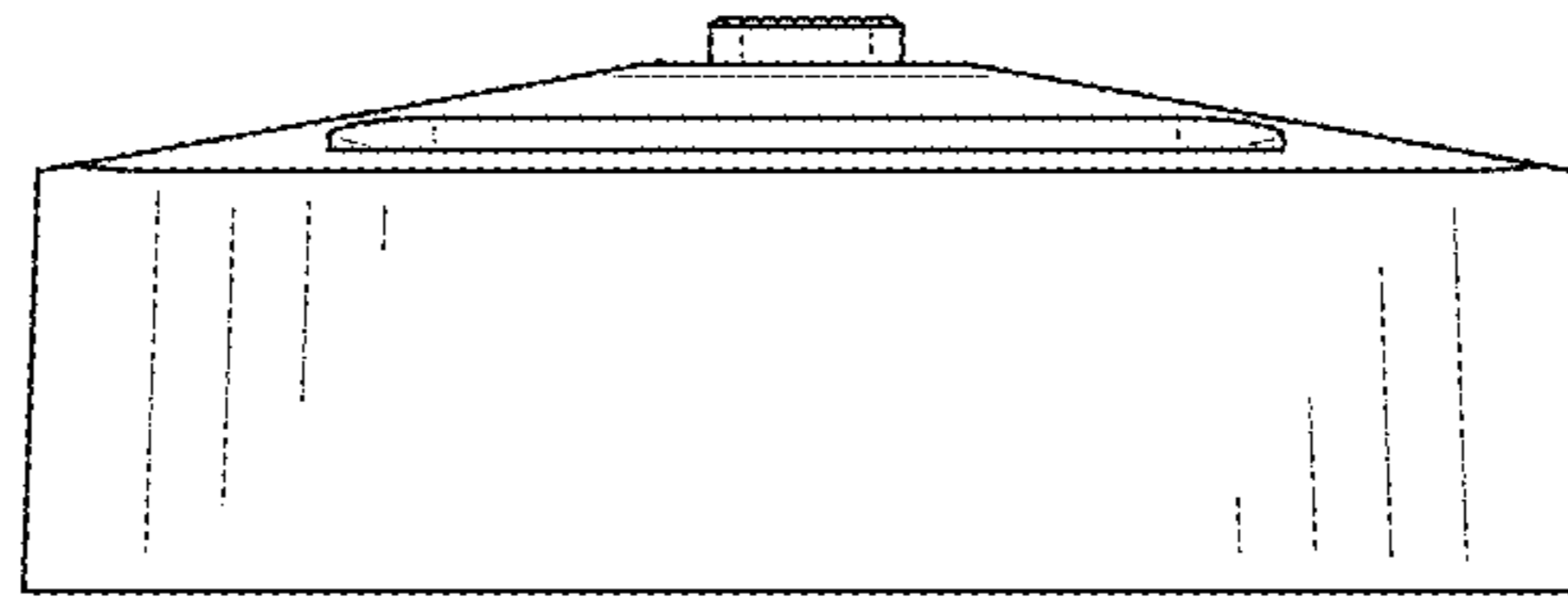


FIG. 8

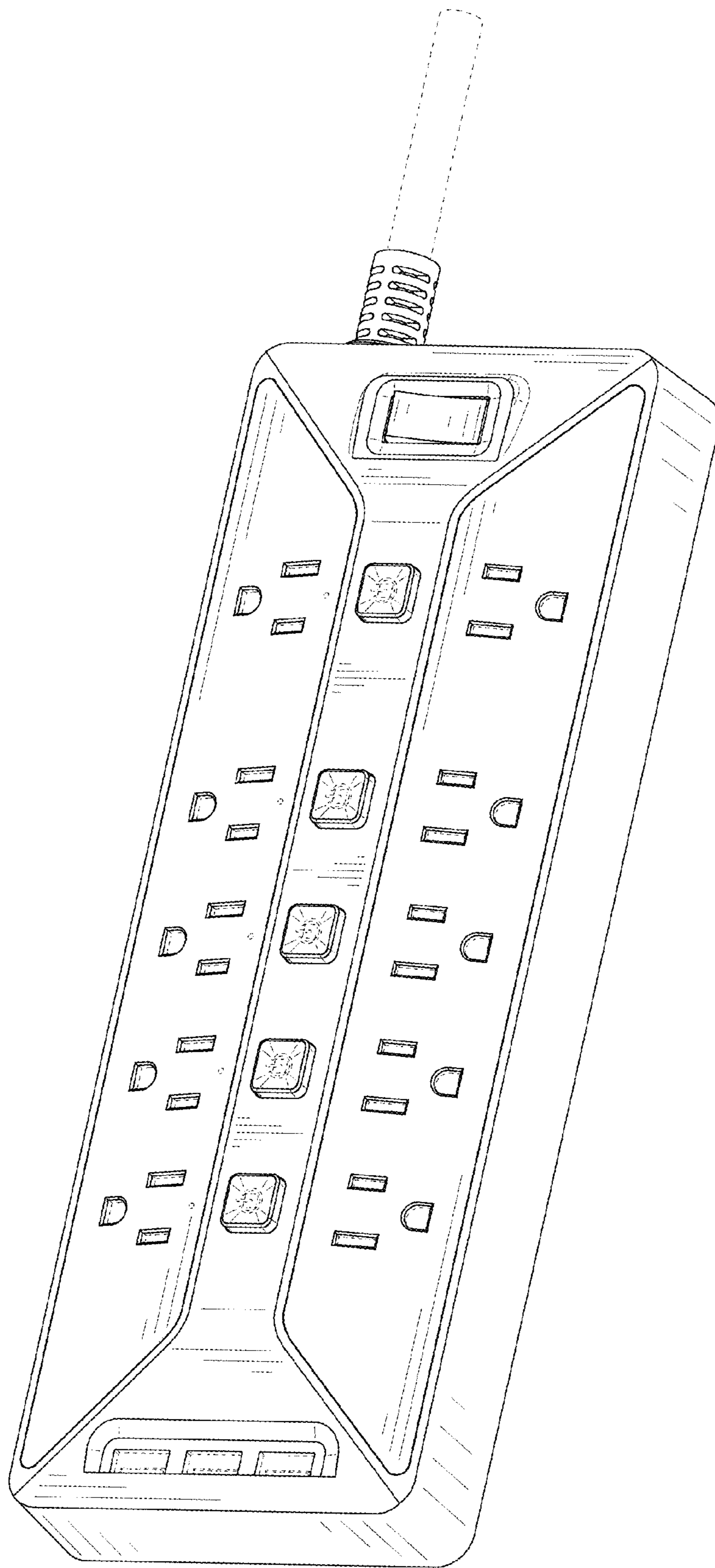


FIG. 9

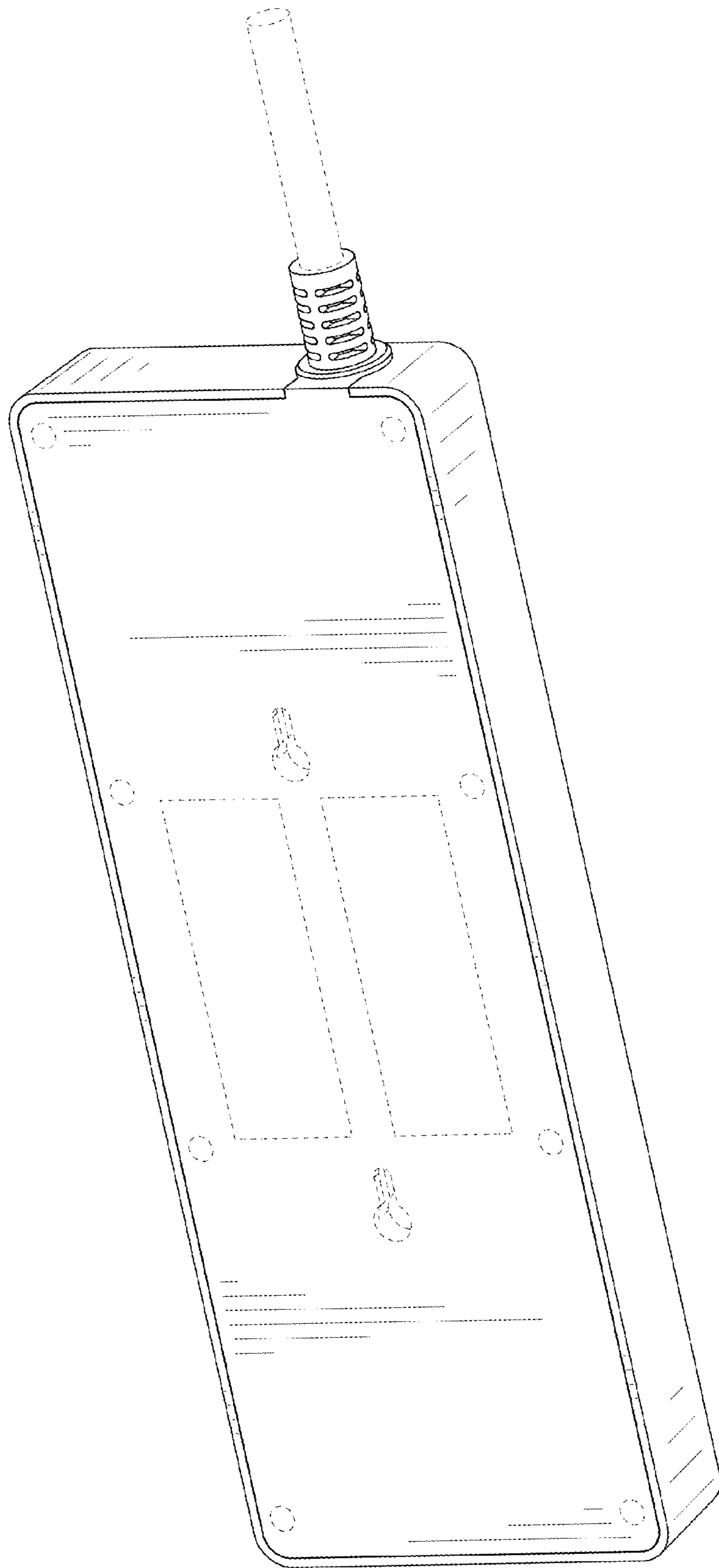


FIG. 10

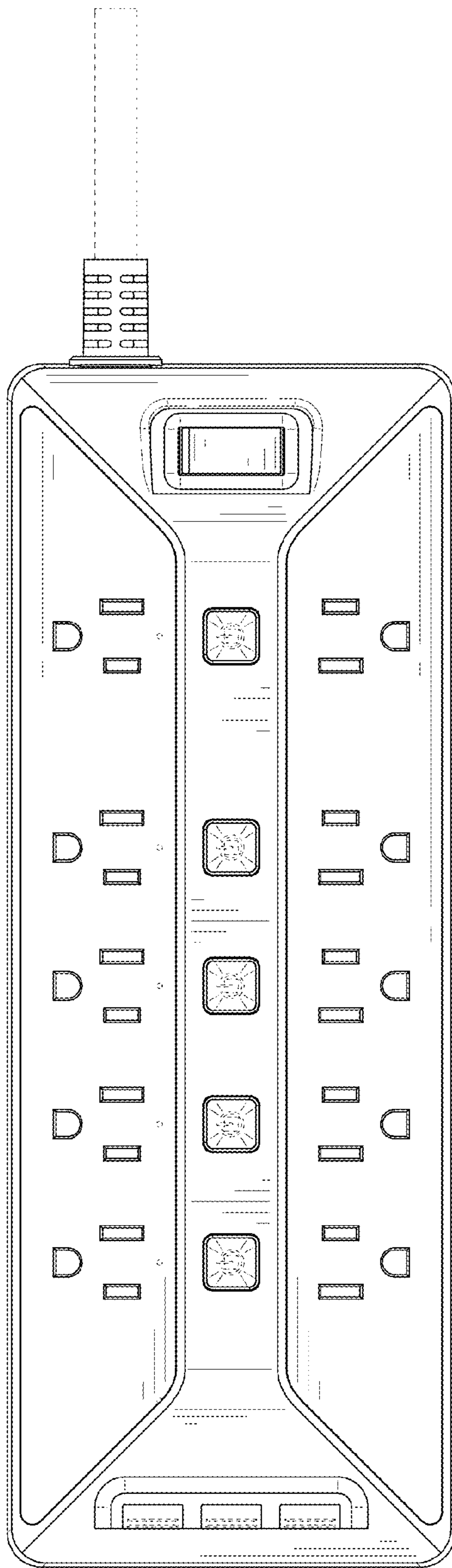


FIG. 11

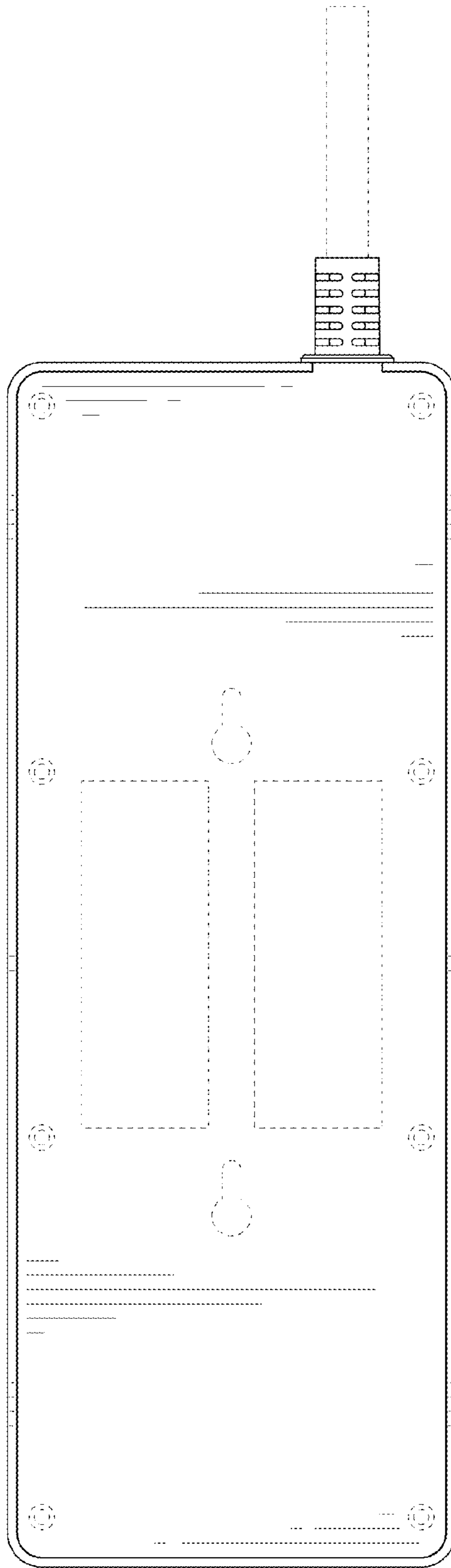


FIG. 12

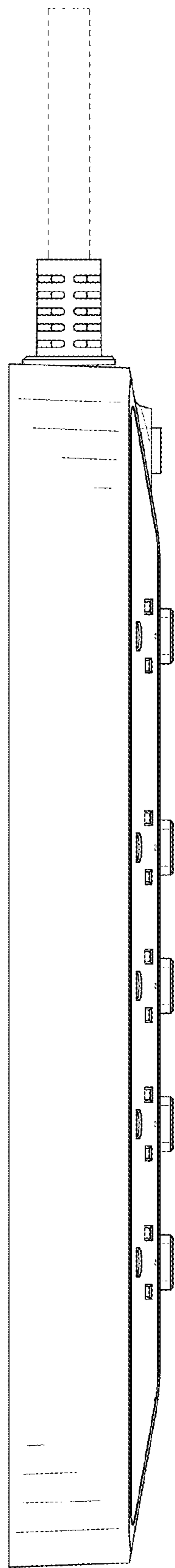


FIG. 13

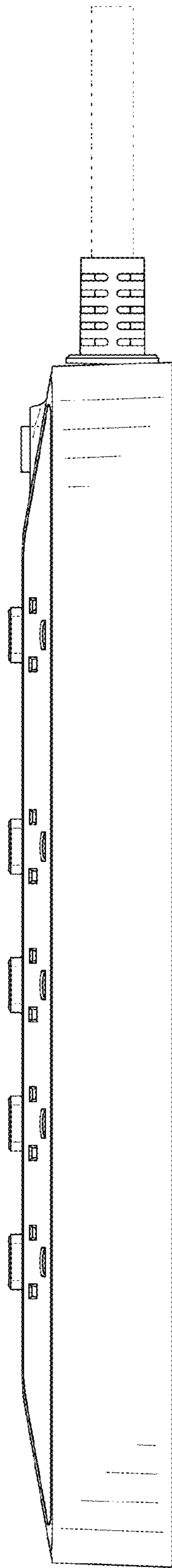


FIG. 14



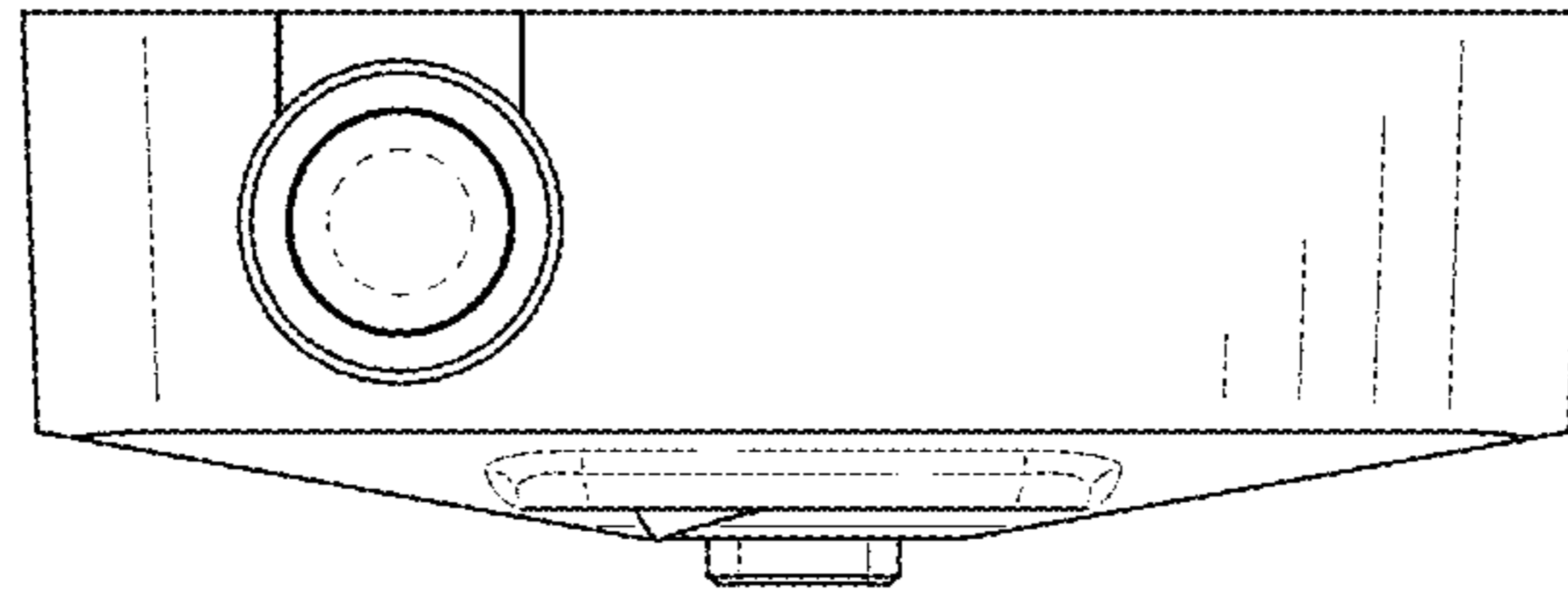


FIG. 15

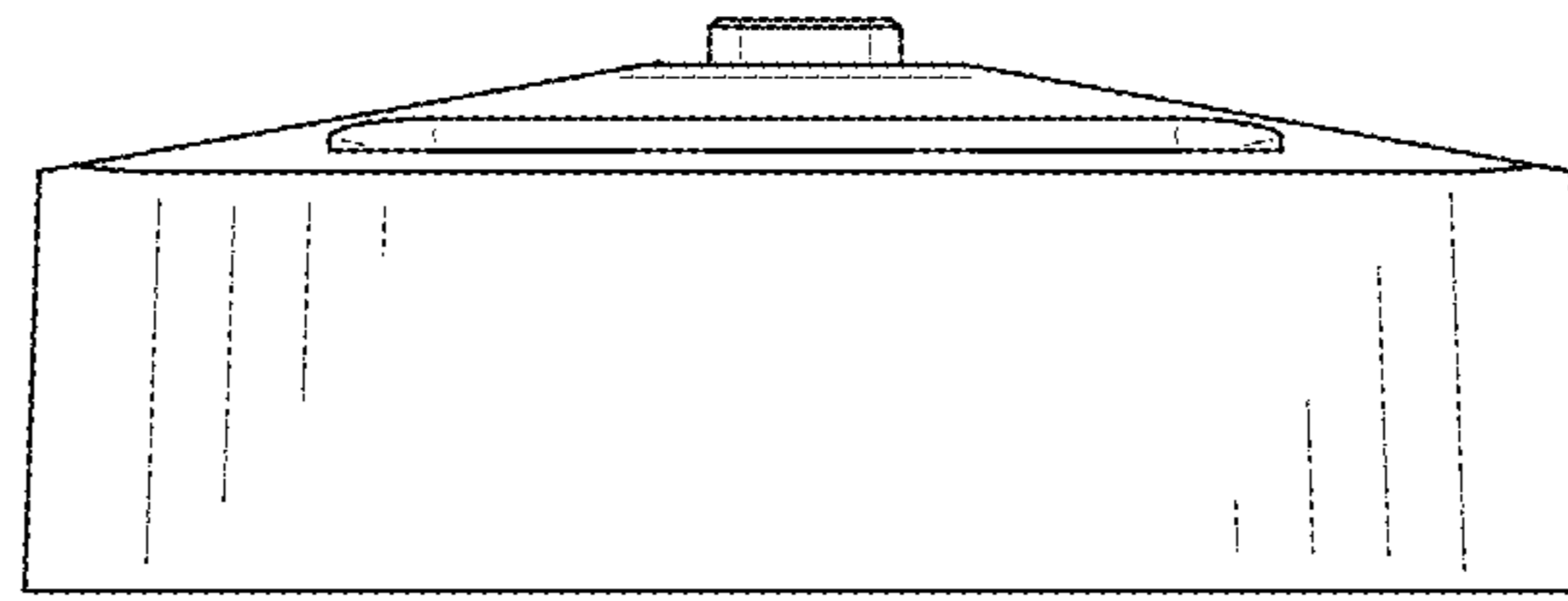


FIG. 16