

US00D947781S

(12) **United States Design Patent**
Wei

(10) **Patent No.:** **US D947,781 S**

(45) **Date of Patent:** **** Apr. 5, 2022**

(54) **SOCKET**

(71) Applicant: **Xinghua Wei**, Guangdong (CN)

(72) Inventor: **Xinghua Wei**, Guangdong (CN)

(**) Term: **15 Years**

(21) Appl. No.: **29/757,159**

(22) Filed: **Nov. 4, 2020**

(51) **LOC (13) Cl.** **13-03**

(52) **U.S. Cl.**
USPC **D13/137.2**

(58) **Field of Classification Search**

USPC D13/137.1, 137.2, 137.3, 137.4, 138.1,
D13/138.2, 139.1, 139.2, 139.7, 139.8,
D13/184, 103, 107, 199, 108, 110, 119,
D13/123, 133, 139.3, 139.5, 139.6, 152,
D13/145, 153, 154, 156, 158, 160, 162,
D13/177; D14/433, 434

CPC H01R 13/00; H01R 13/04; H01R 13/10;
H01R 13/665; H01R 13/6666; H01R
13/6676; H01R 13/7135; H01R 25/00;
H01R 25/006; H01R 9/00; H01R 11/00;
H02H 3/33; H02H 3/162; H01H 2207/00;
H01H 2207/022; H01H 2203/00; H05K
5/00; H05K 5/03

See application file for complete search history.

(56) **References Cited**

U.S. PATENT DOCUMENTS

D443,589 S * 6/2001 Tong D13/137.2
D816,039 S * 4/2018 Lu D13/139.8
D864,874 S * 10/2019 Xu D13/139.8
D881,809 S * 4/2020 Lyu D13/108

(Continued)

FOREIGN PATENT DOCUMENTS

GB 6090783 * 5/2020
GB 6097887 * 8/2020

(Continued)

OTHER PUBLICATIONS

“Socket Outlet Shelf, Mentaluc 6-Outlet Multi Plug Wall Outlet Extender Shelf with 4 USB Wall Charger Socket Splitter Expander 1700J Surge Protector”, first available Mar. 28, 2021. Amazon.com [https://www.amazon.com/Mentaluc-6-Outlet-Extender-Splitter-Protector/dp/B0918SXWCW] (Year: 2021).*

(Continued)

Primary Examiner — Rosemary K Tarcza

Assistant Examiner — Seth David Kumpf

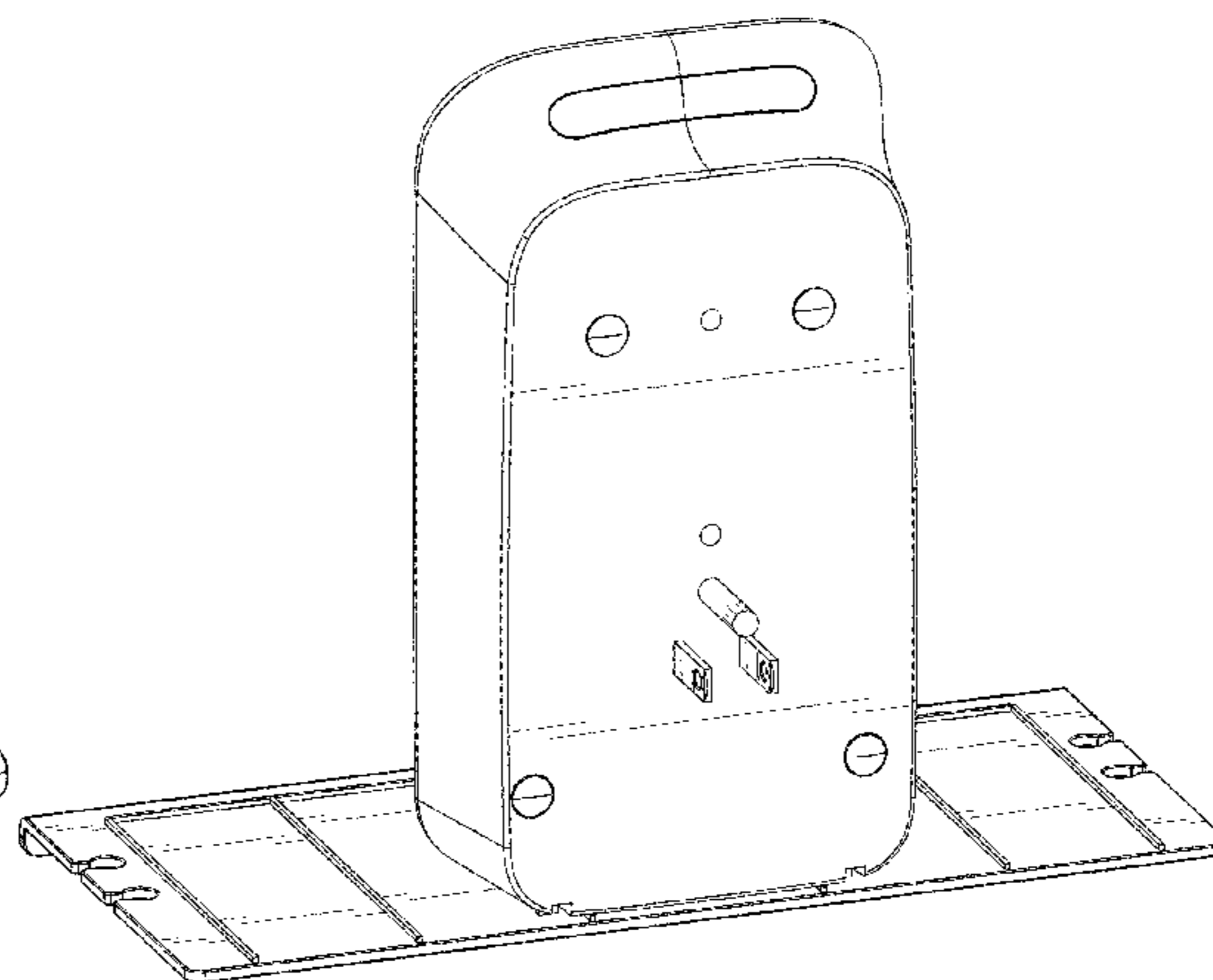
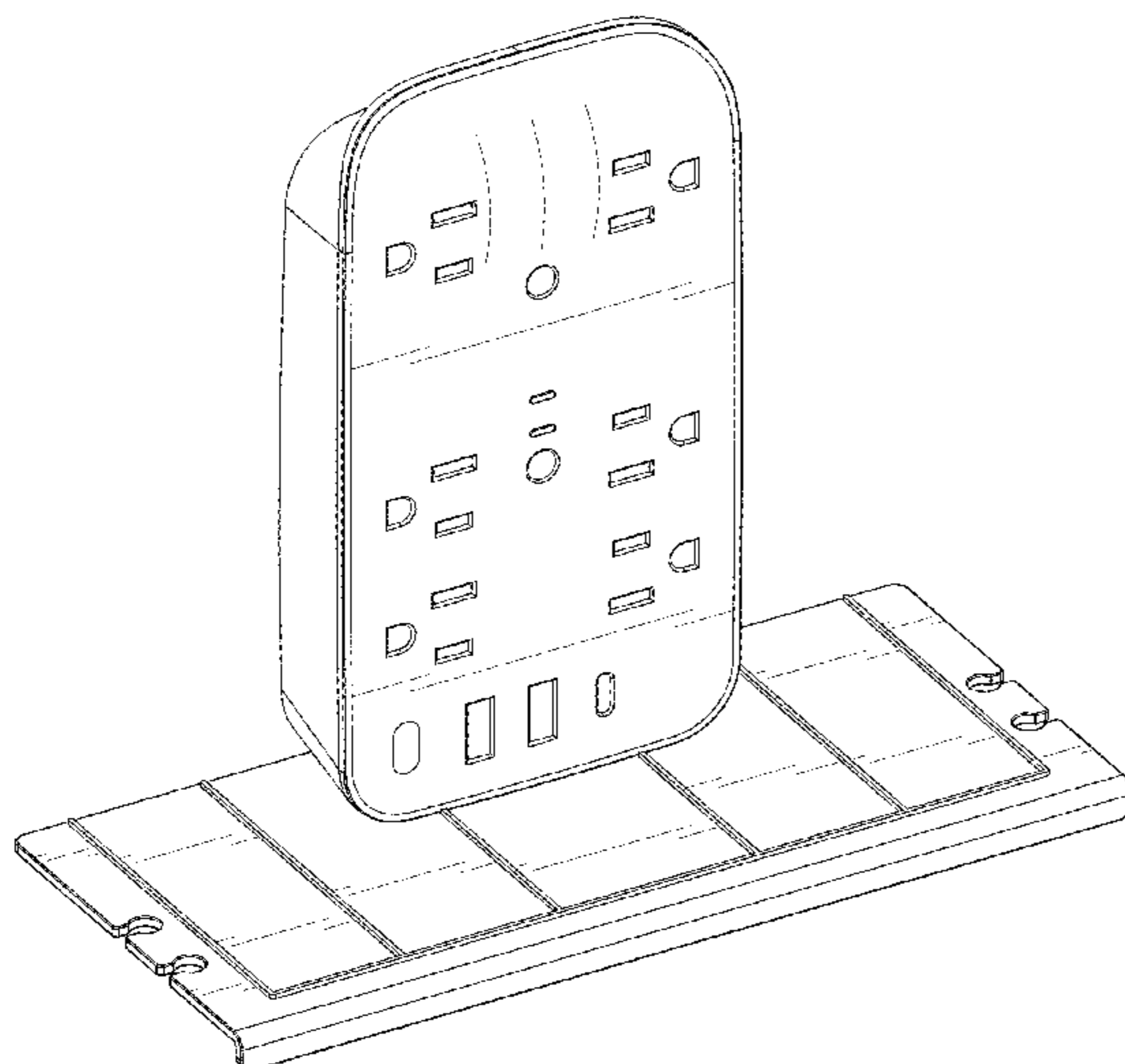
(57) **CLAIM**

The ornamental design for a socket, as shown and described.

DESCRIPTION

FIG. 1 is a front elevational view of a socket showing the first embodiment of my new design; FIG. 2 is a rear elevational view thereof; FIG. 3 is a left side view thereof; FIG. 4 is a right side view thereof; FIG. 5 is a top plan view thereof; FIG. 6 is a bottom plan view thereof; FIG. 7 is a perspective view thereof; FIG. 8 is a second perspective view thereof; FIG. 9 is a third perspective view thereof; FIG. 10 is a front elevational view of a socket showing the second embodiment of my new design; FIG. 11 is a rear elevational view thereof; FIG. 12 is a left side view thereof; FIG. 13 is a right side view thereof; FIG. 14 is a top plan view thereof; FIG. 15 is a bottom plan view thereof; FIG. 16 is a perspective view thereof; FIG. 17 is a second perspective view thereof; and, FIG. 18 is a third perspective view thereof.

1 Claim, 16 Drawing Sheets



(56)

References Cited

U.S. PATENT DOCUMENTS

D881,821 S * 4/2020 Lyu D13/139.8
D886,062 S * 6/2020 Du D13/137.2
D886,742 S * 6/2020 Lyu D13/137.2
D895,554 S * 9/2020 Jianting D13/137.2
D899,375 S * 10/2020 Bao D13/139.8
D900,748 S * 11/2020 Chen D13/137.2
D900,750 S * 11/2020 Amoss D13/138.2

FOREIGN PATENT DOCUMENTS

GB 6097888 * 8/2020
GB 6097889 * 8/2020
GB 6115167 * 1/2021

OTHER PUBLICATIONS

“Wall Outlet Extender—Surge Protector 6 AC Outlets Multi Plug Outlet with Shelf, 2 USB and USB C Charging Ports Wall Plug Expander, USB Wall Charger Outlet Splitter for Home Dorm”, first available Oct. 26, 2020. Amazon.com [<https://www.amazon.com/Wall-Outlet-Extender-Protector-Charging/dp/B08LV3Q5CQ>] (Year: 2020).*

“Socket Outlet Shelf, NTONPOWER Multi Plug Outlet with Removable Built-in Shelf, 6 AC Outlets Surge Protector with Adjustable Night Light, 2 USB Charging Ports Wall Mount Outlet Splitter”, first available Oct. 9, 2020. Amazon.com [<https://www.amazon.com/NTONPOWER-Removable-Protector-Adjustable-Charging/dp/B08KZFFQ8Y4>](Year: 2020).*

* cited by examiner

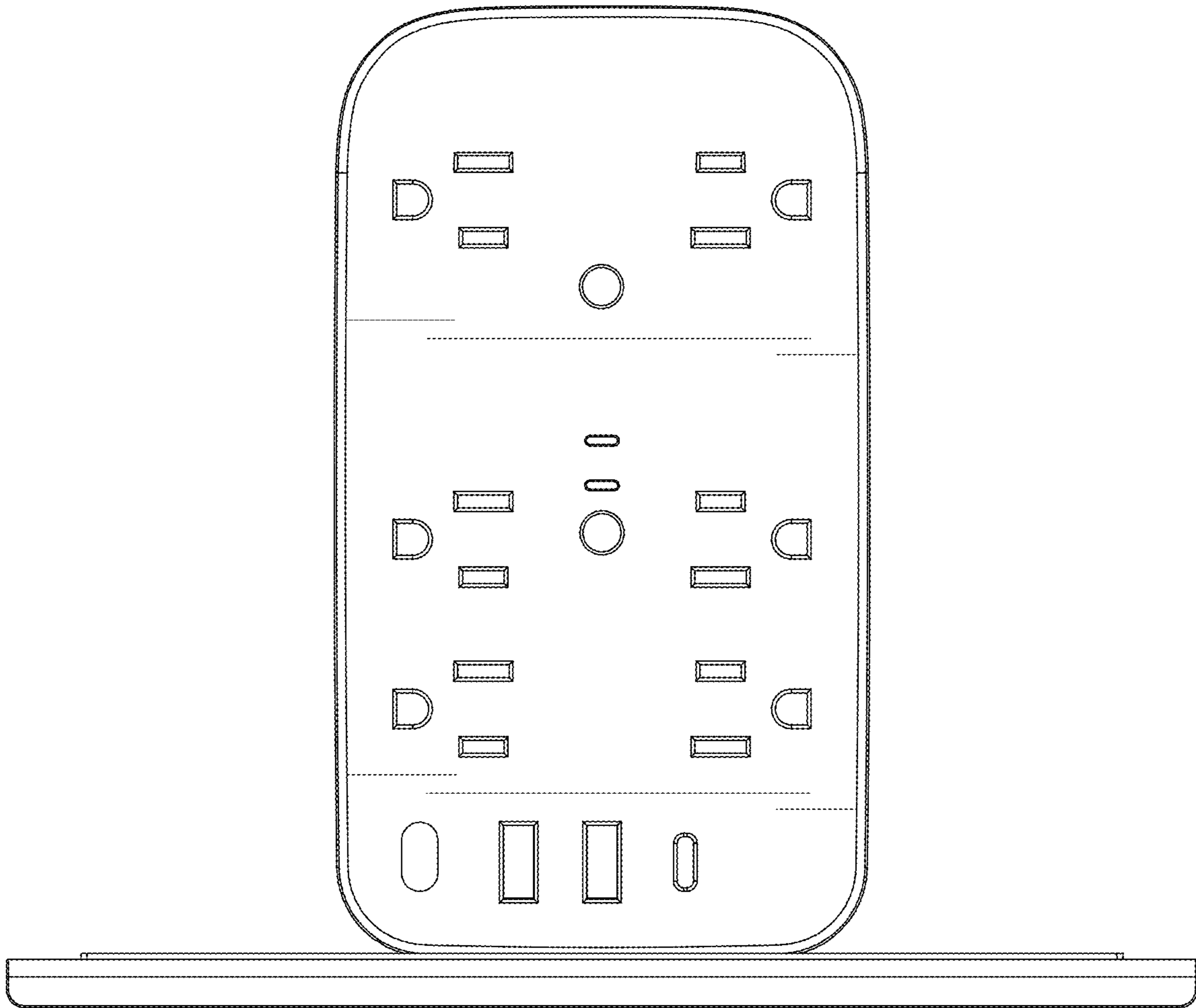


FIG.1

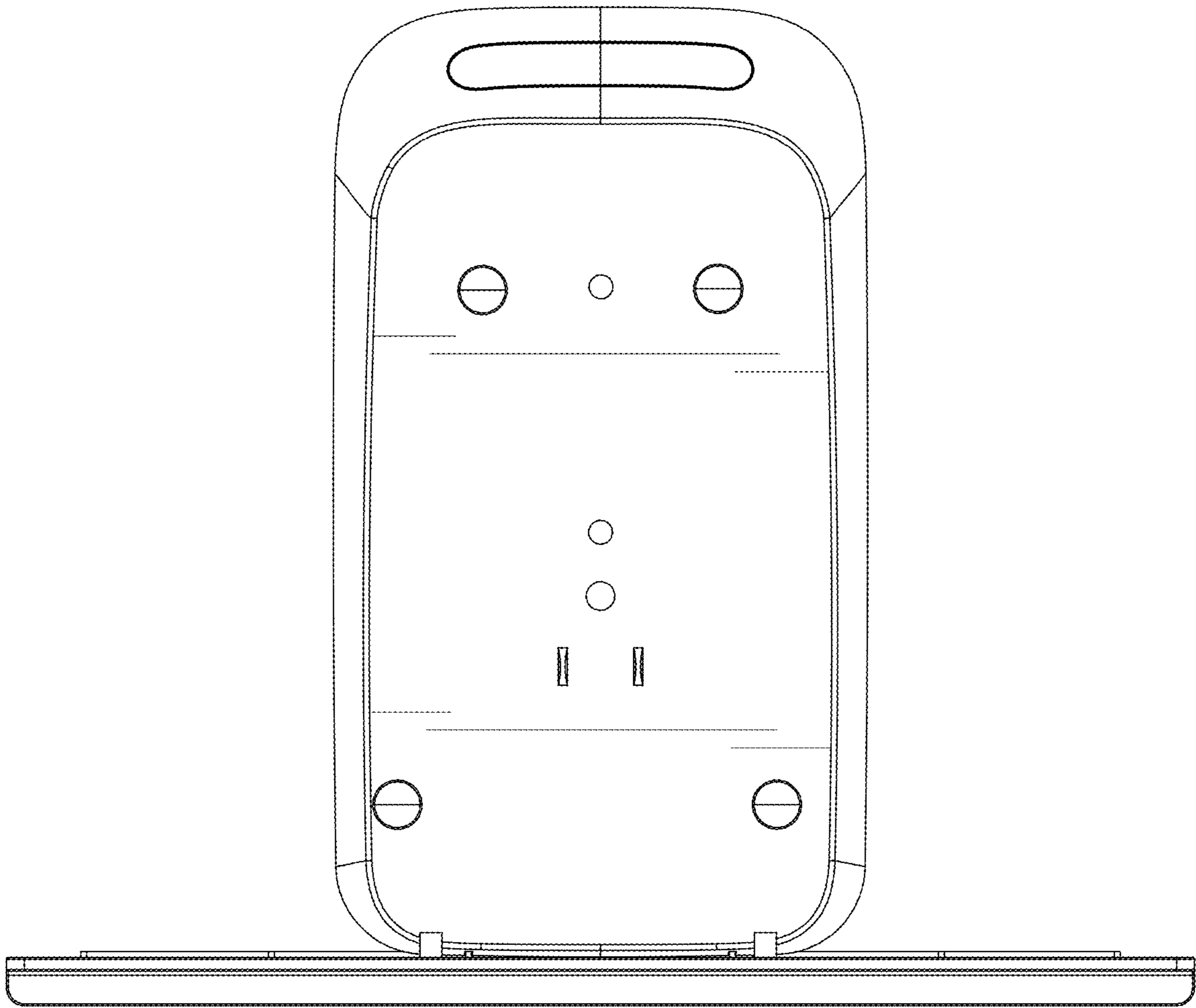


FIG. 2

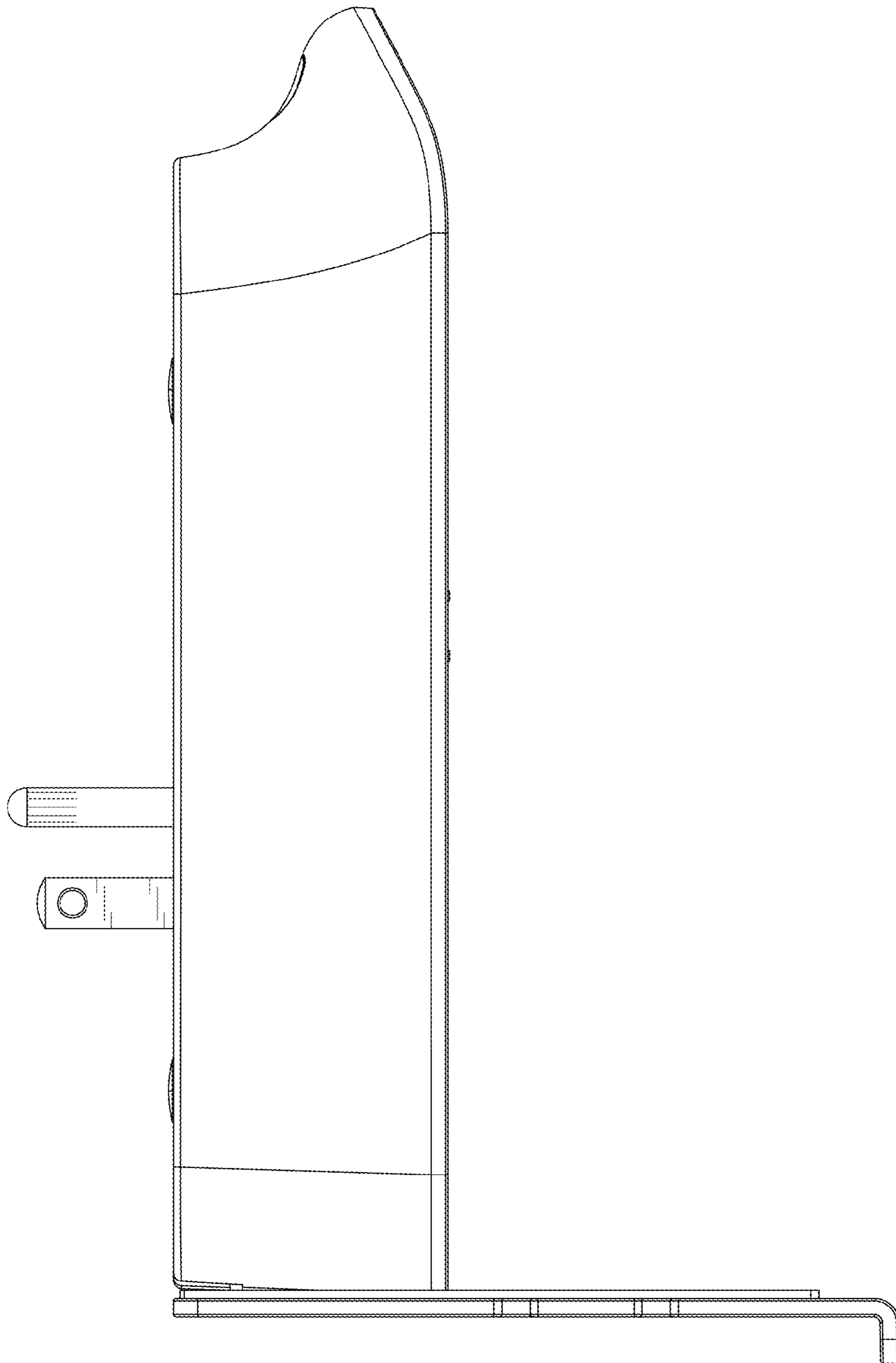


FIG. 3

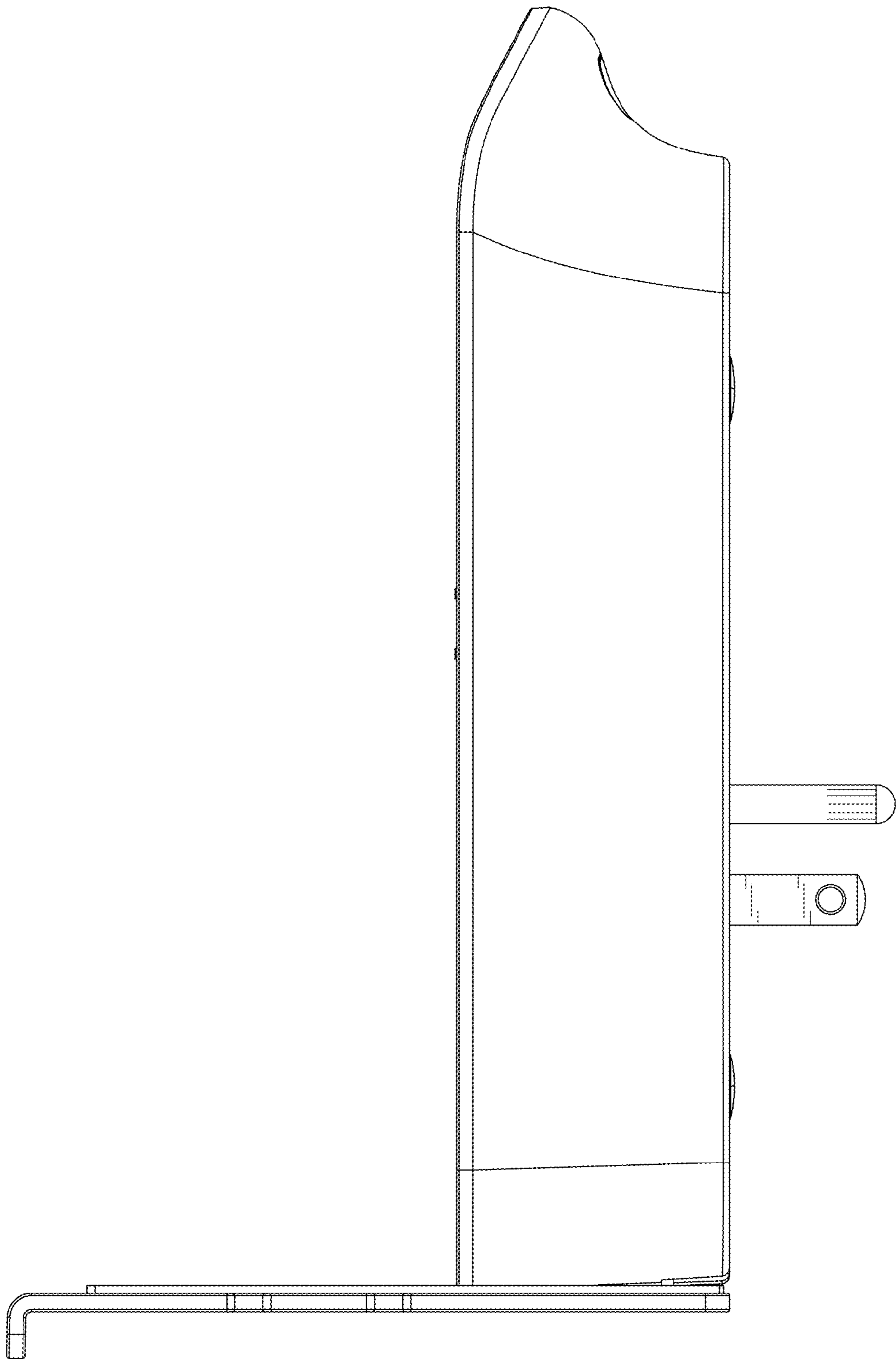


FIG. 4

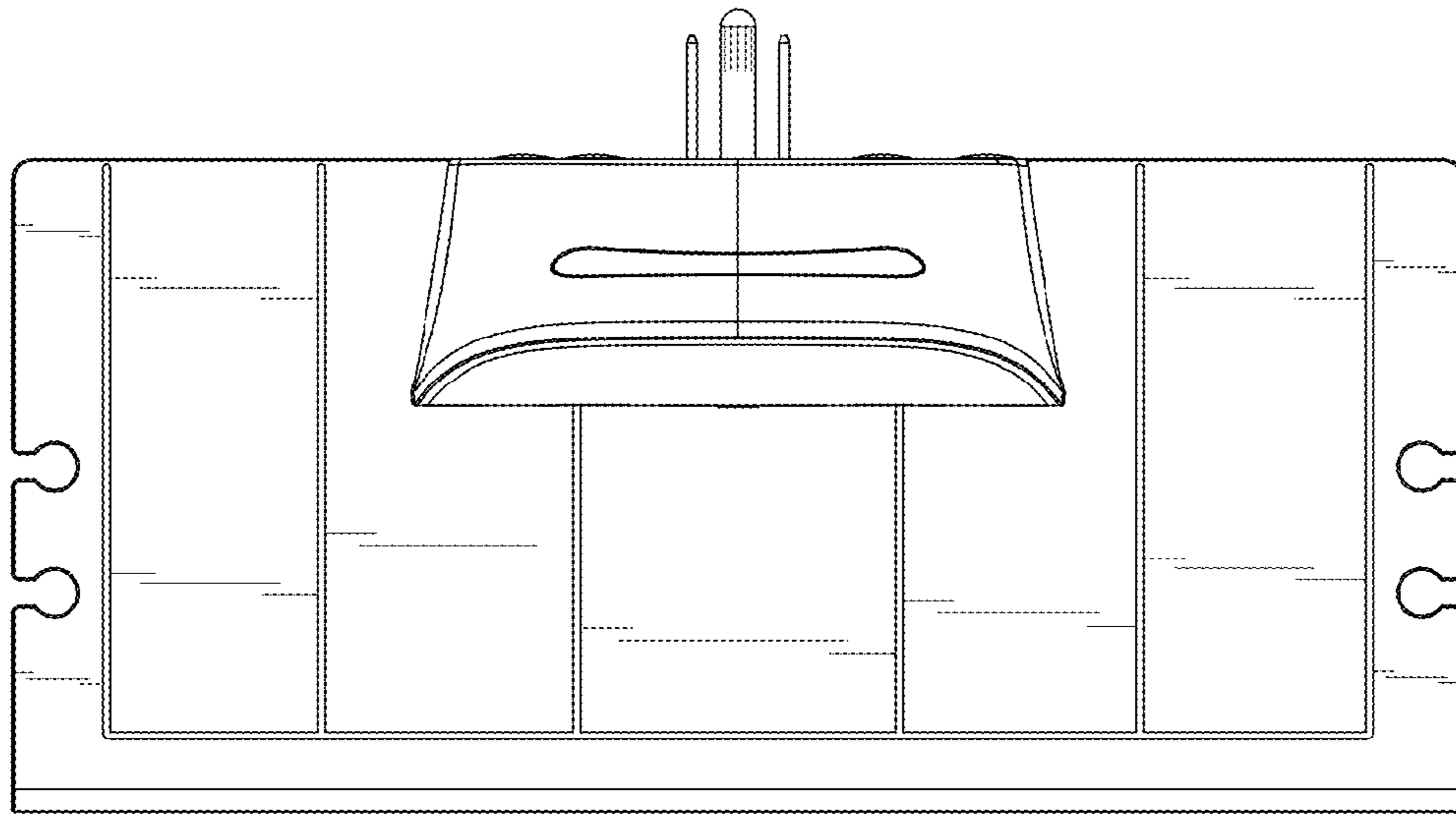


FIG. 5

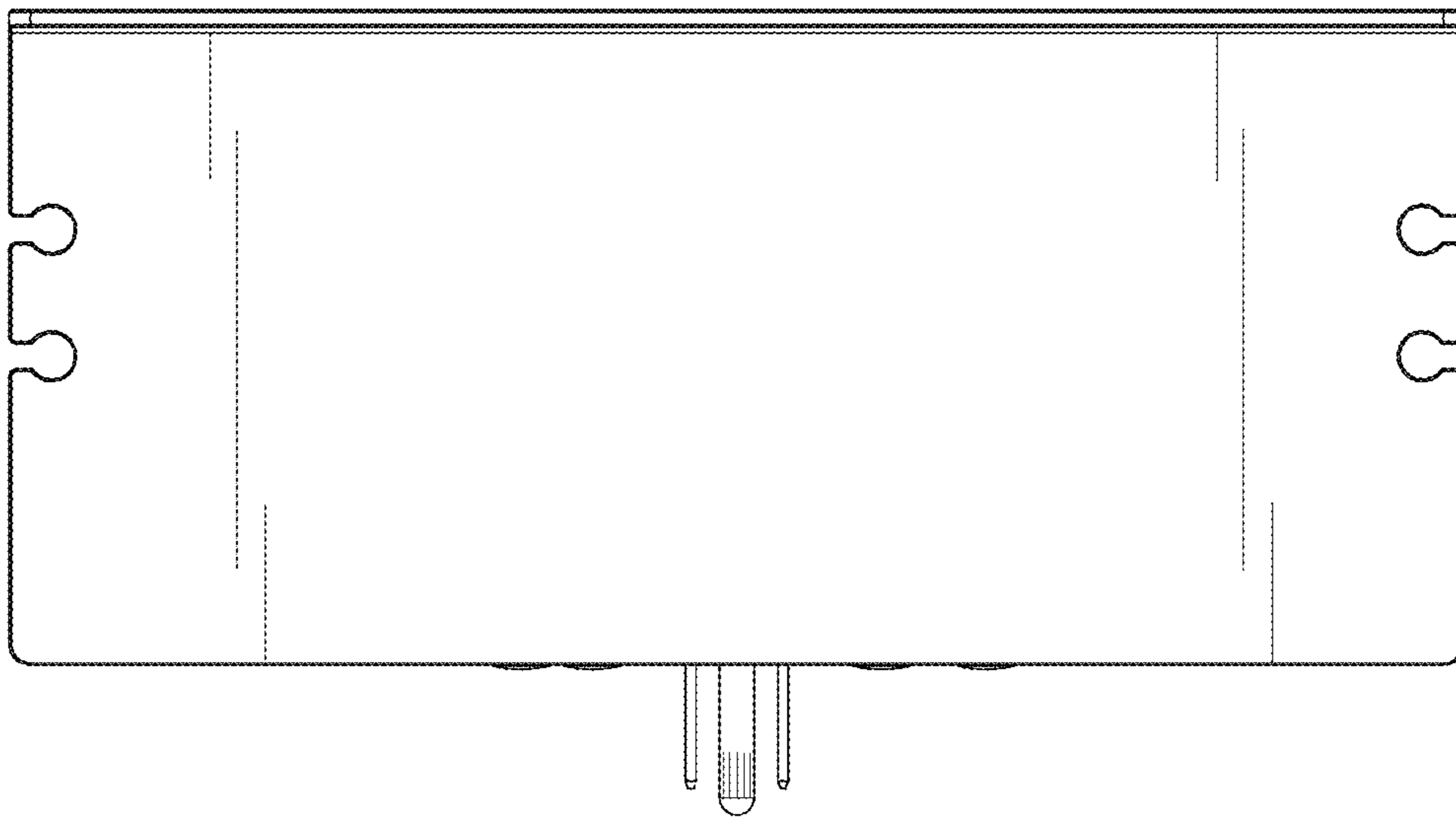


FIG. 6

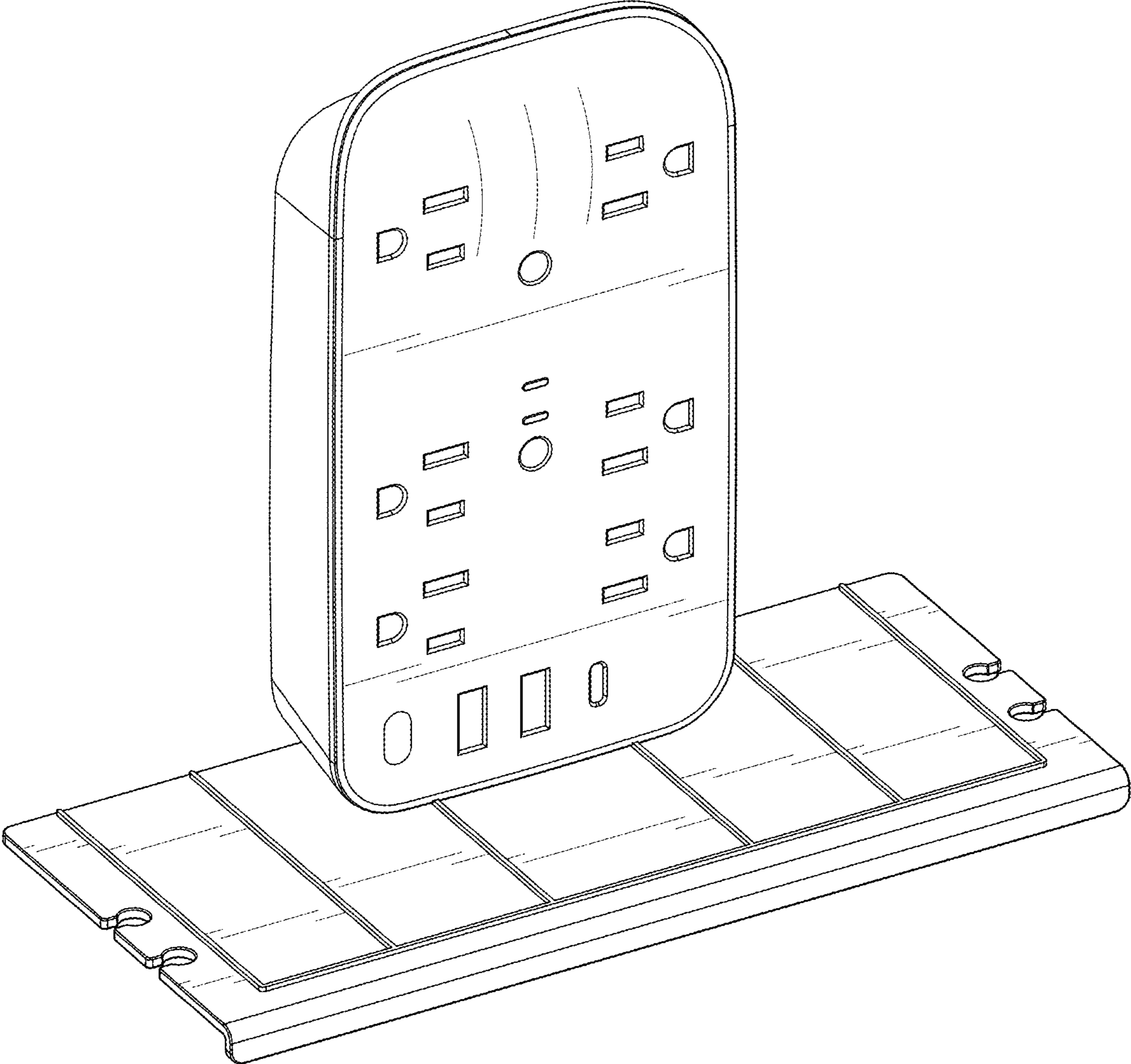


FIG. 7

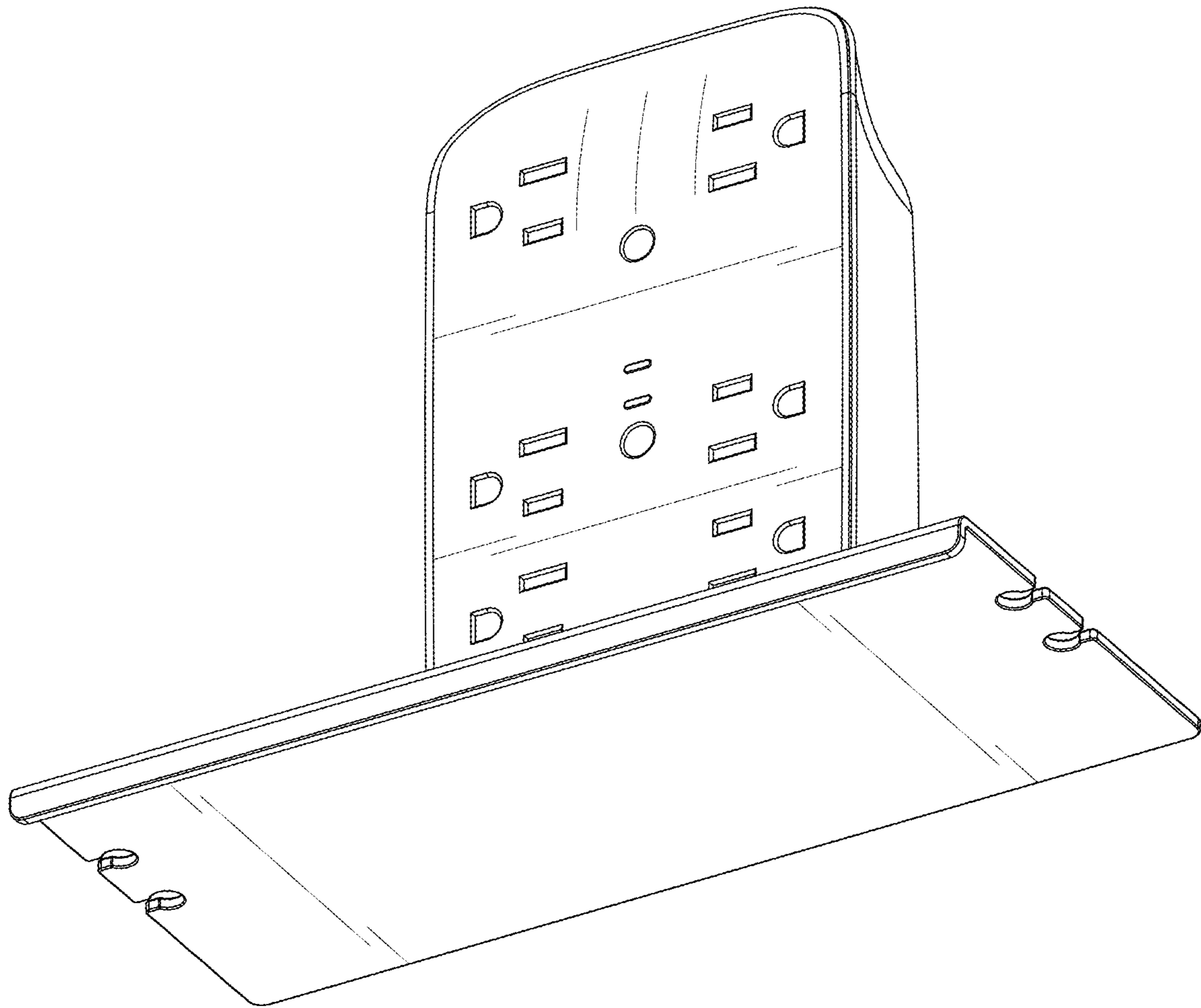


FIG. 8

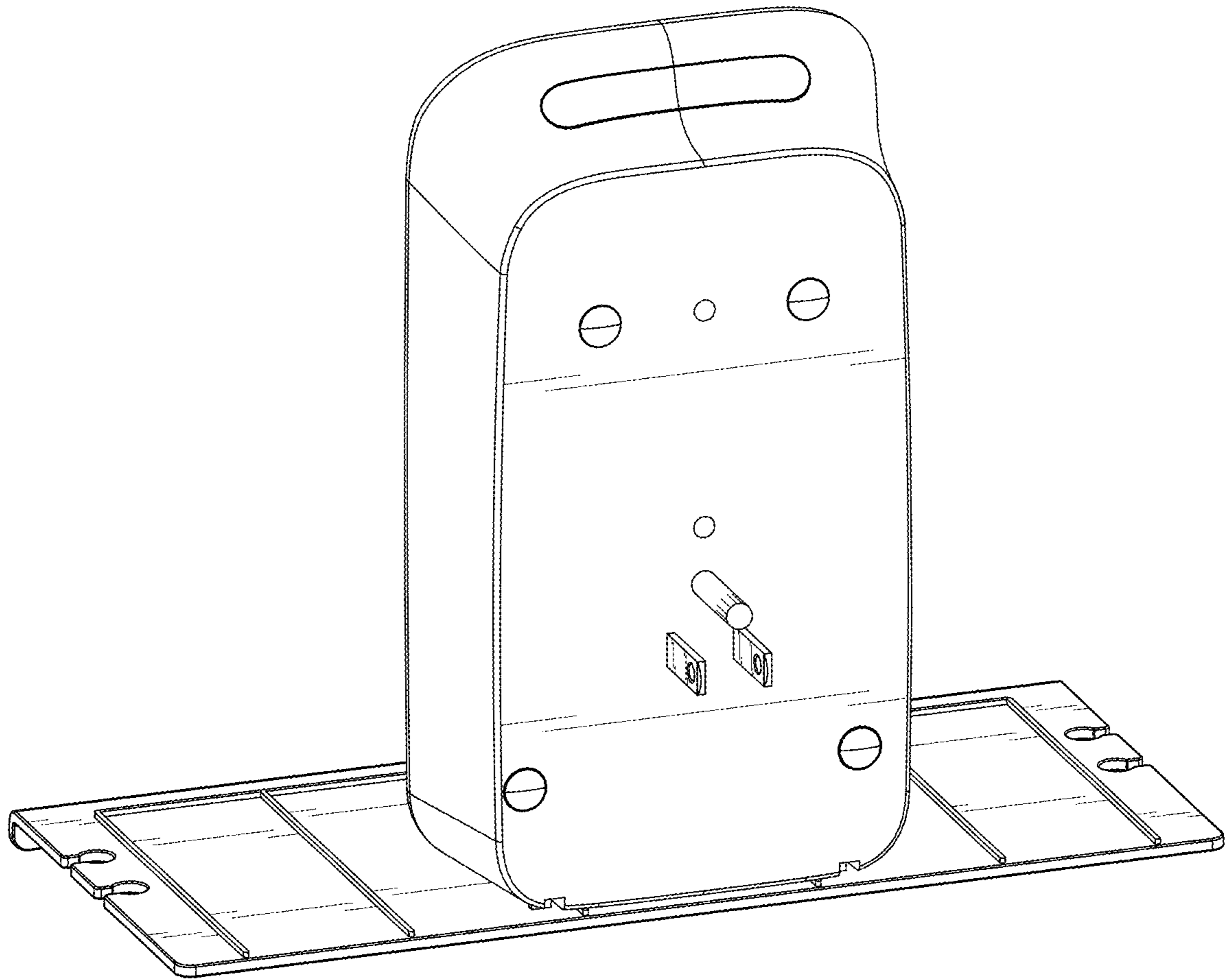


FIG. 9

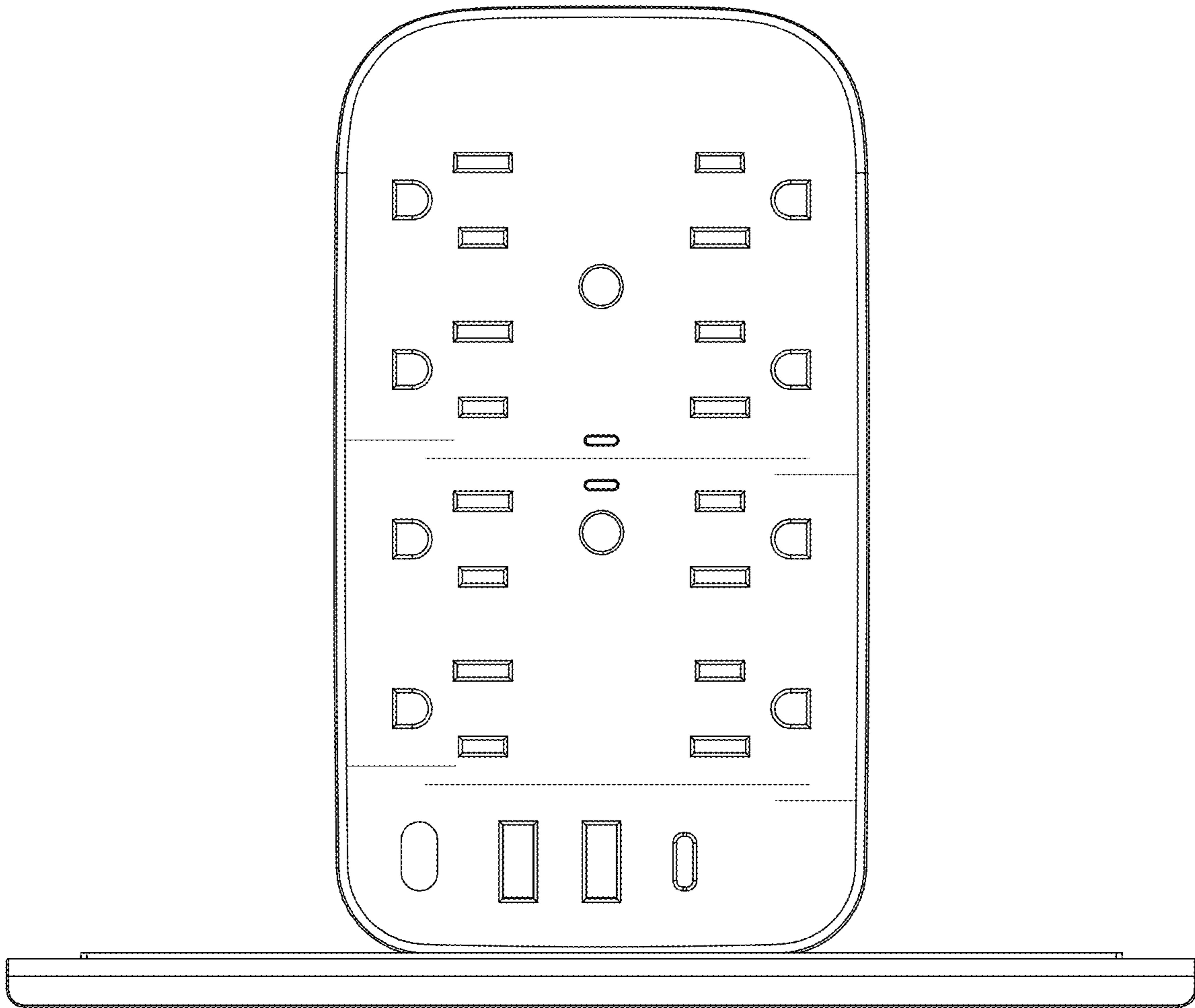


FIG.10

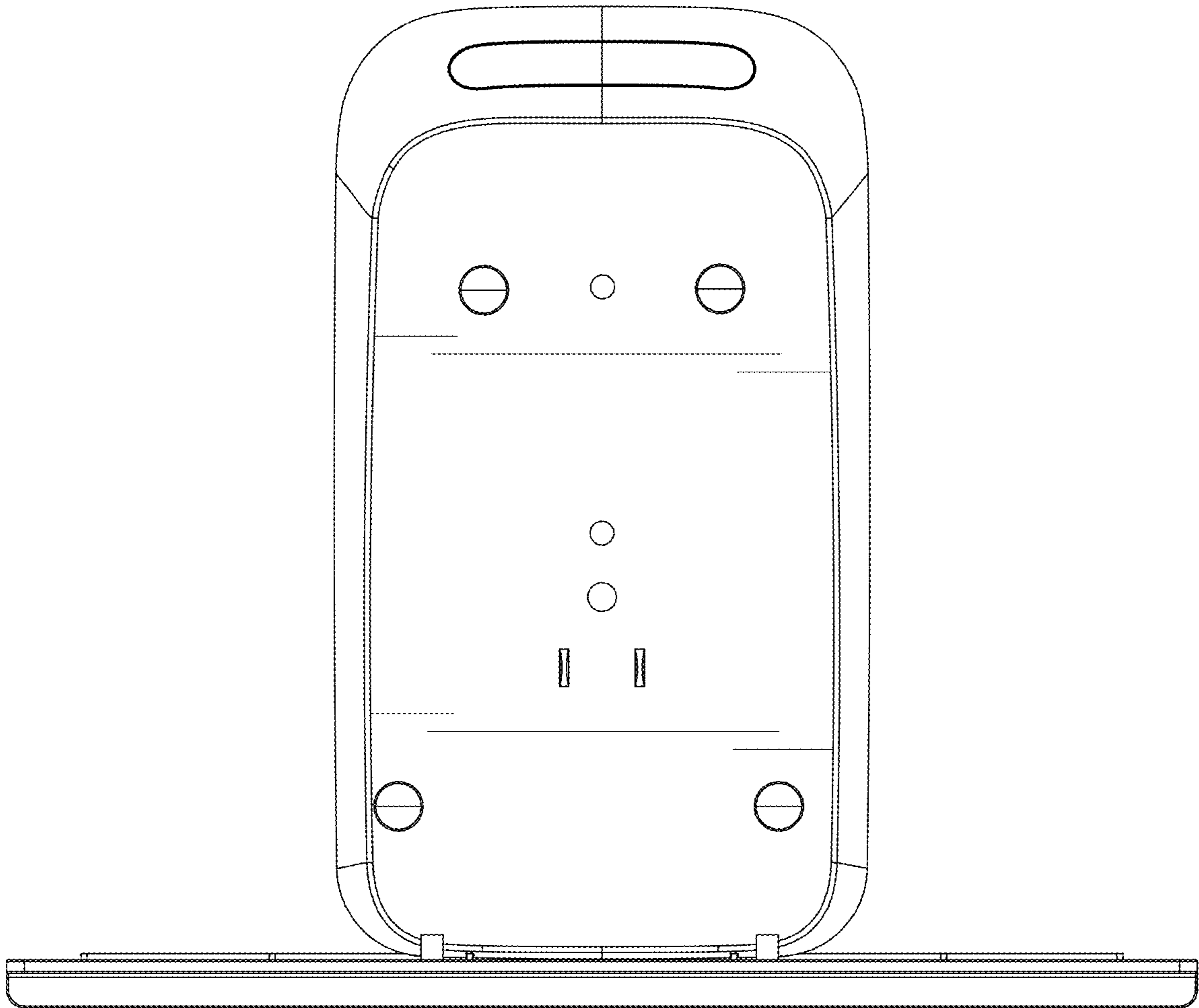


FIG.11

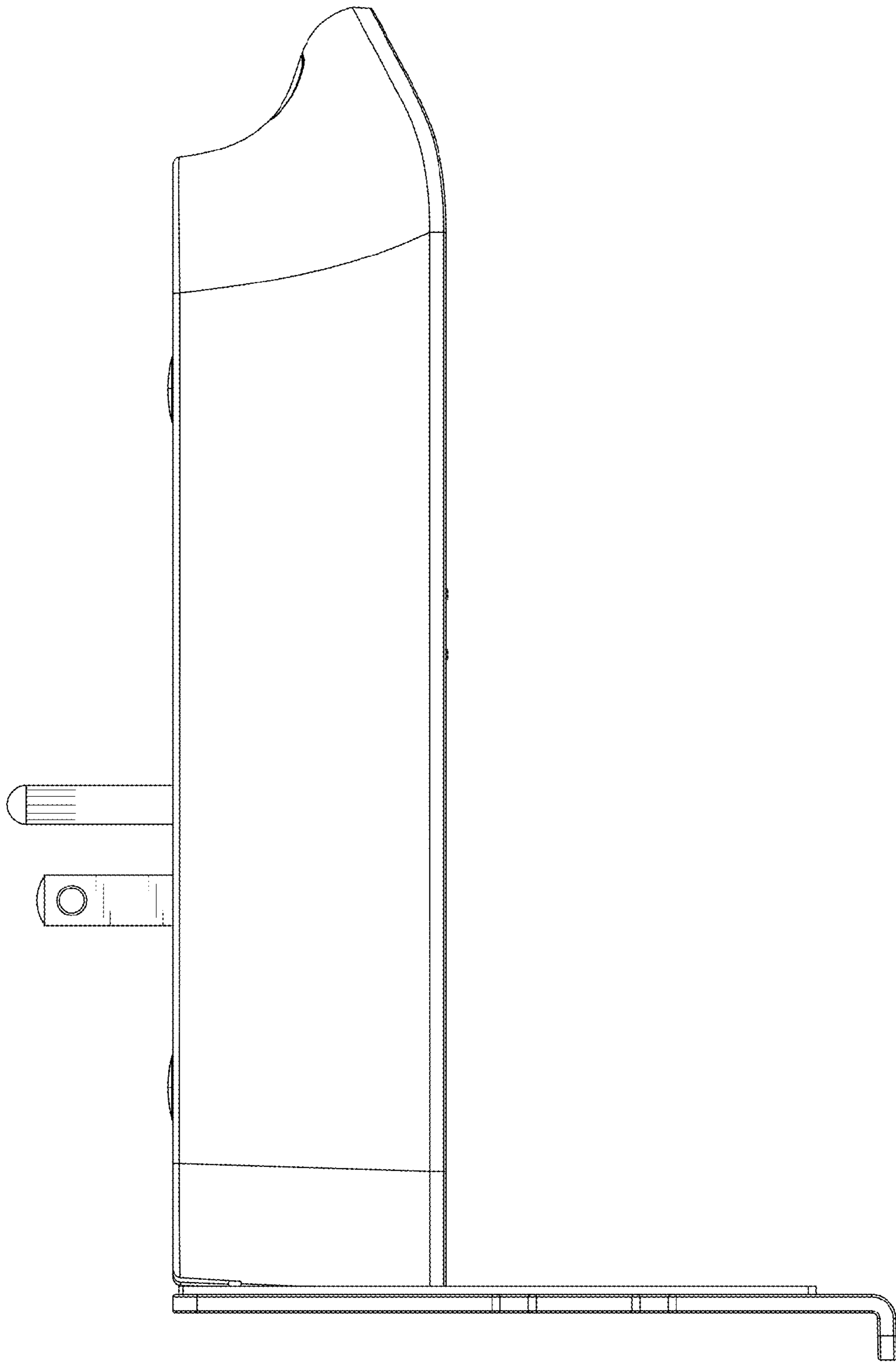


FIG. 12

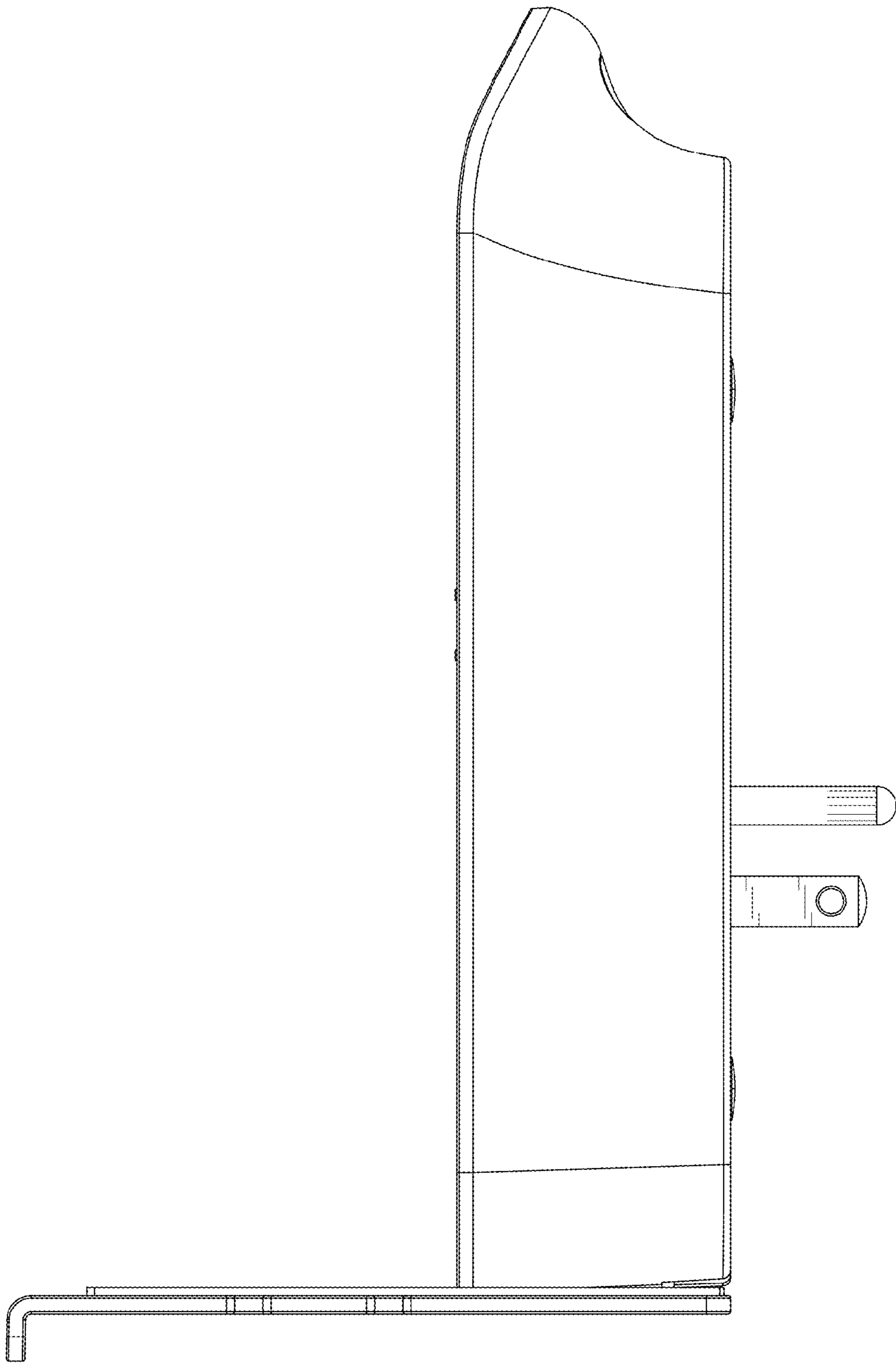


FIG. 13

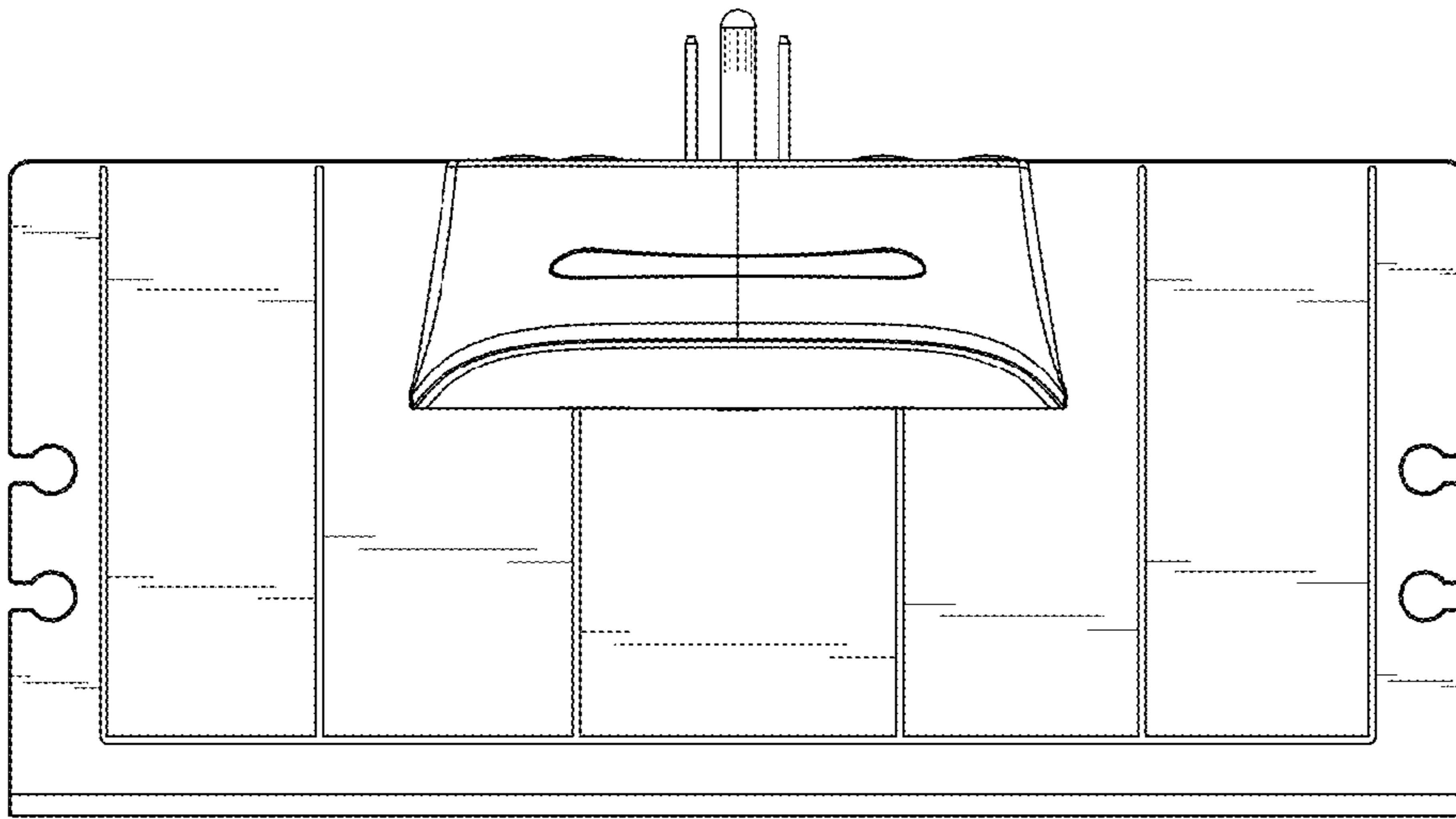


FIG.14

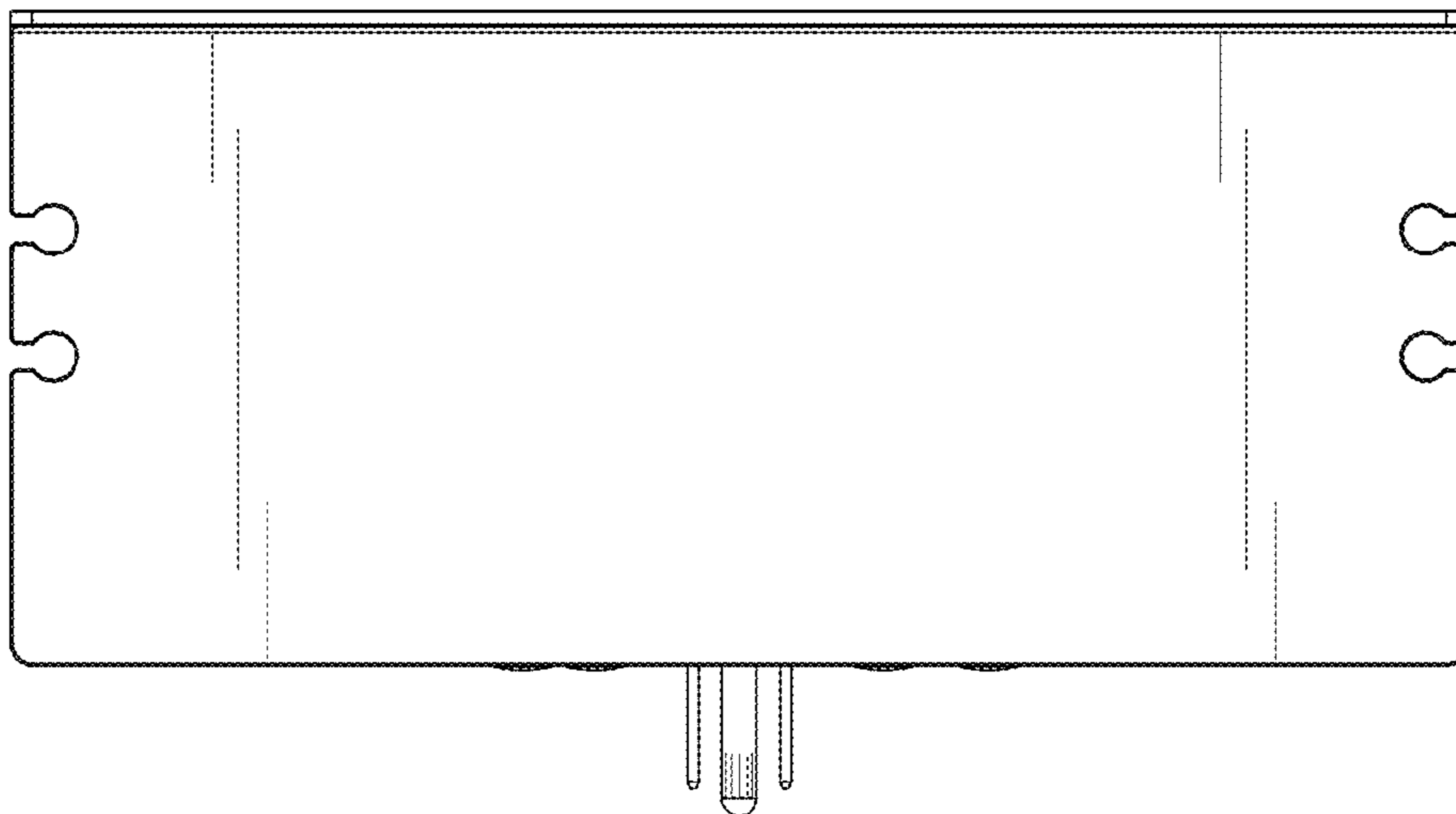


FIG.15

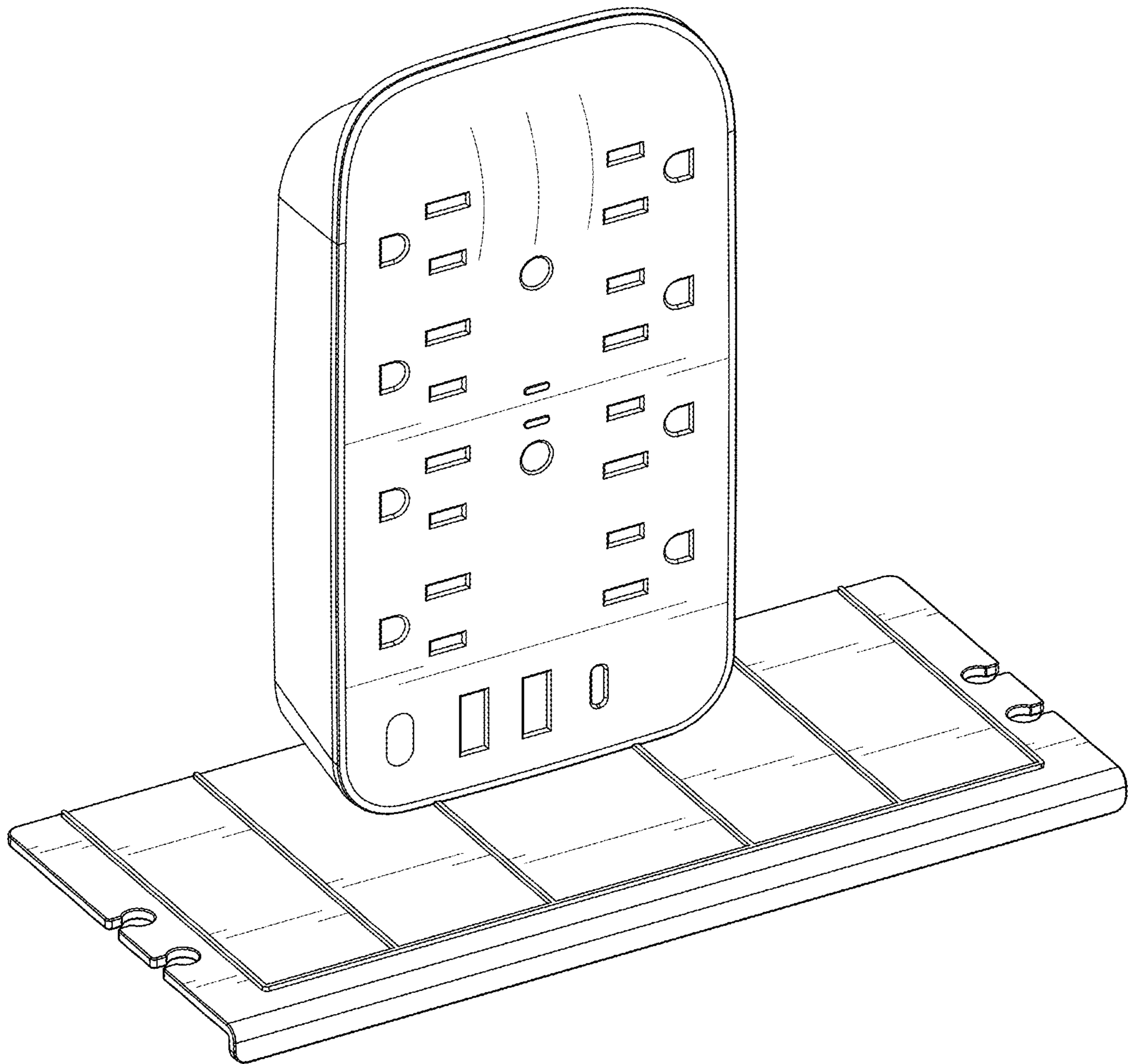


FIG.16

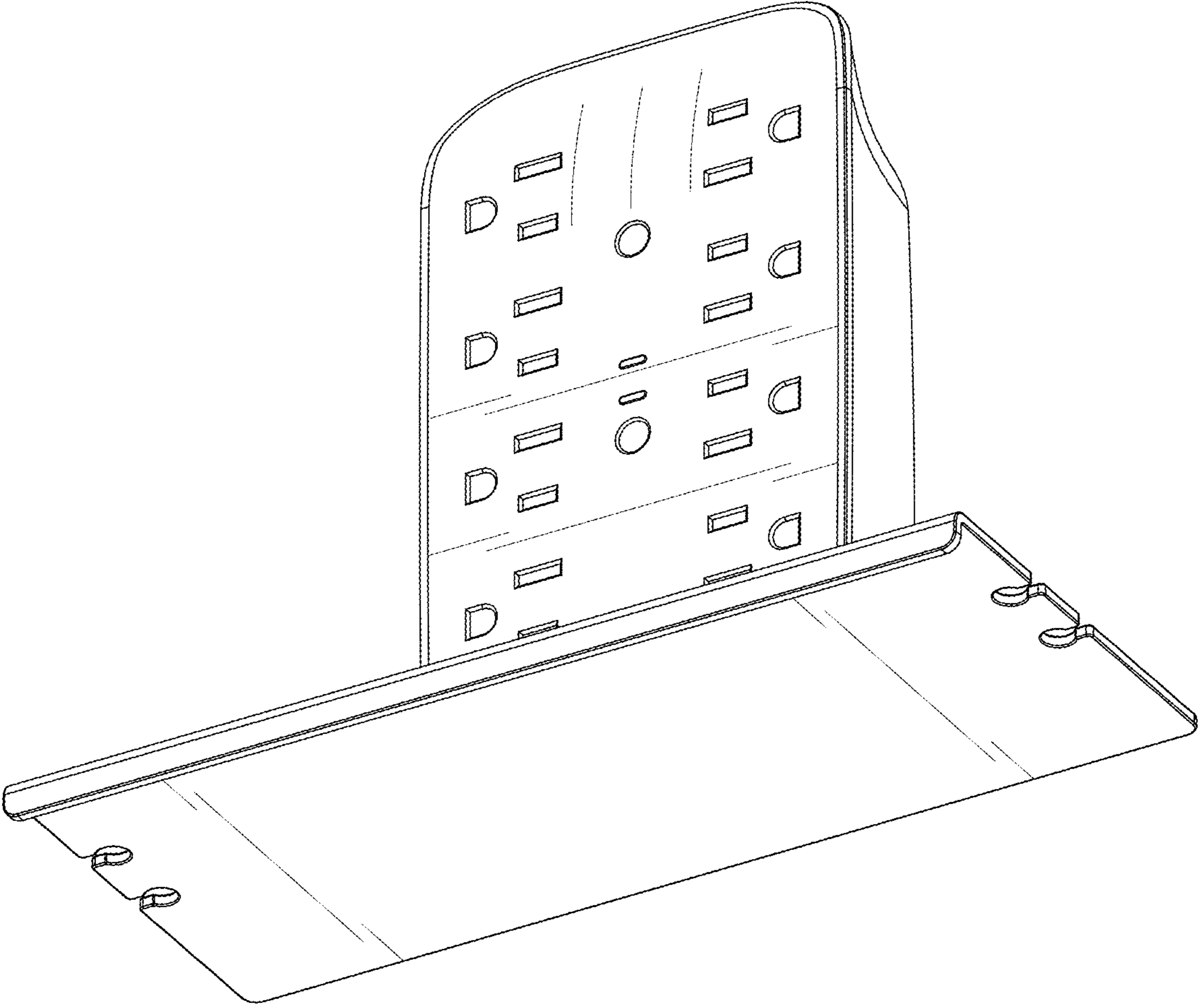


FIG.17

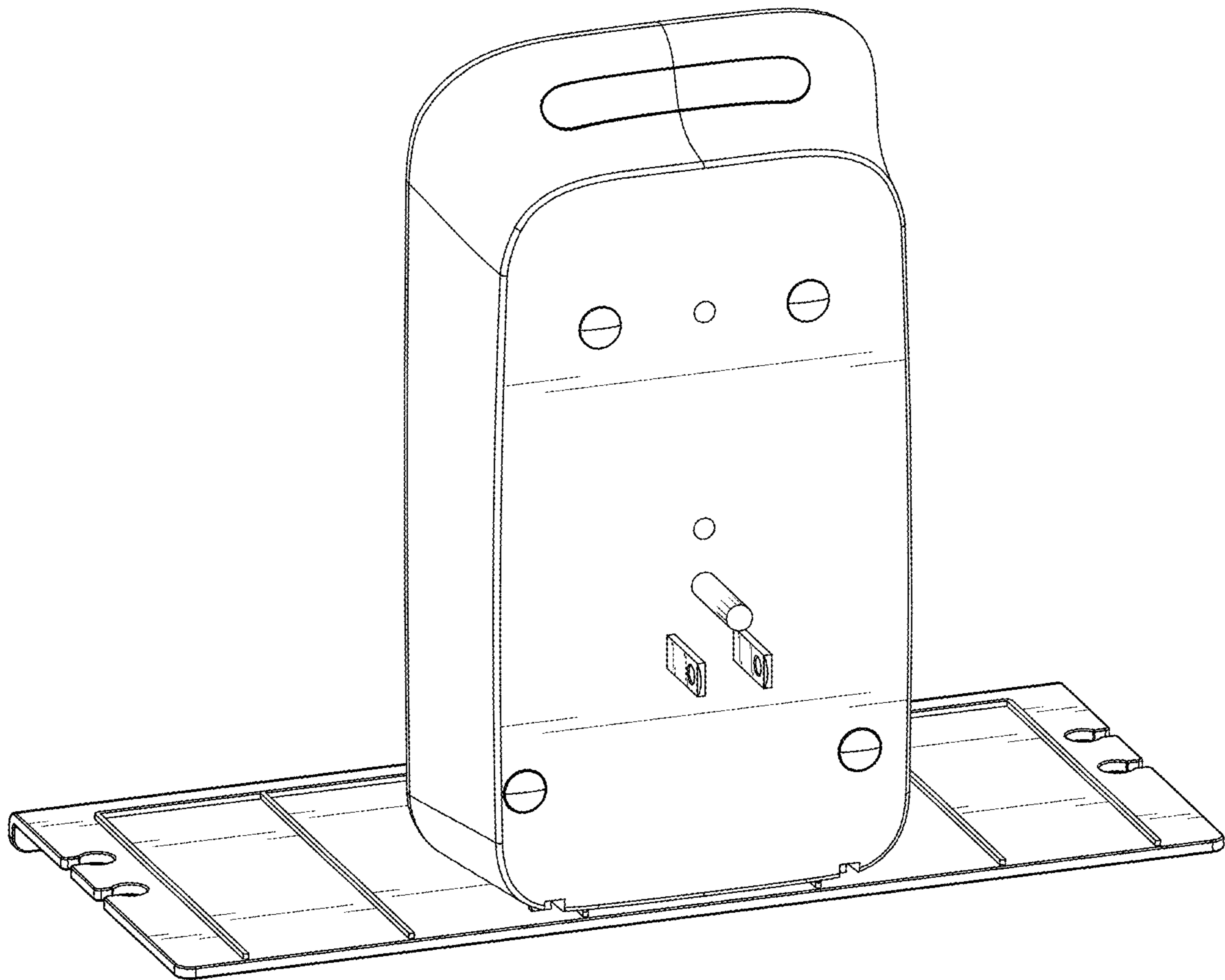


FIG.18