



US00D947780S

(12) **United States Design Patent** (10) **Patent No.:** **US D947,780 S**
Marchal (45) **Date of Patent:** **** Apr. 5, 2022**

(54) **BATTERY CLAMP**
(71) Applicant: **Billy L. Marchal**, Lima, OH (US)
(72) Inventor: **Billy L. Marchal**, Lima, OH (US)
(**) Term: **15 Years**
(21) Appl. No.: **29/768,472**
(22) Filed: **Jan. 29, 2021**
(51) **LOC (13) Cl.** **13-03**
(52) **U.S. Cl.**
USPC **D13/120**
(58) **Field of Classification Search**
USPC D8/395; D13/102-106, 110, 119-121,
D13/184, 199
CPC H01R 11/24; H01R 11/281; H01R 11/282;
H01R 11/286
See application file for complete search history.

7,303,448 B1 12/2007 Sproesser
D622,584 S * 8/2010 Byron D8/395
D738,825 S * 9/2015 Nook D13/120
9,559,444 B1 * 1/2017 Gisoldi H01R 4/5008
D830,301 S * 10/2018 Toscani D13/120
2007/0178759 A1 * 8/2007 Brookmire H01R 9/0524
439/578
2007/0287326 A1 12/2007 Grippe
2013/0095706 A1 * 4/2013 Li H01R 4/4872
439/816
2015/0064990 A1 * 3/2015 Tsai H01R 11/24
439/789

* cited by examiner

Primary Examiner — Jennifer O King
(74) *Attorney, Agent, or Firm* — Jacob M. Ward; Ward Law Office LLC

(57) **CLAIM**

The ornamental design for a battery clamp, as shown and described.

(56) **References Cited**

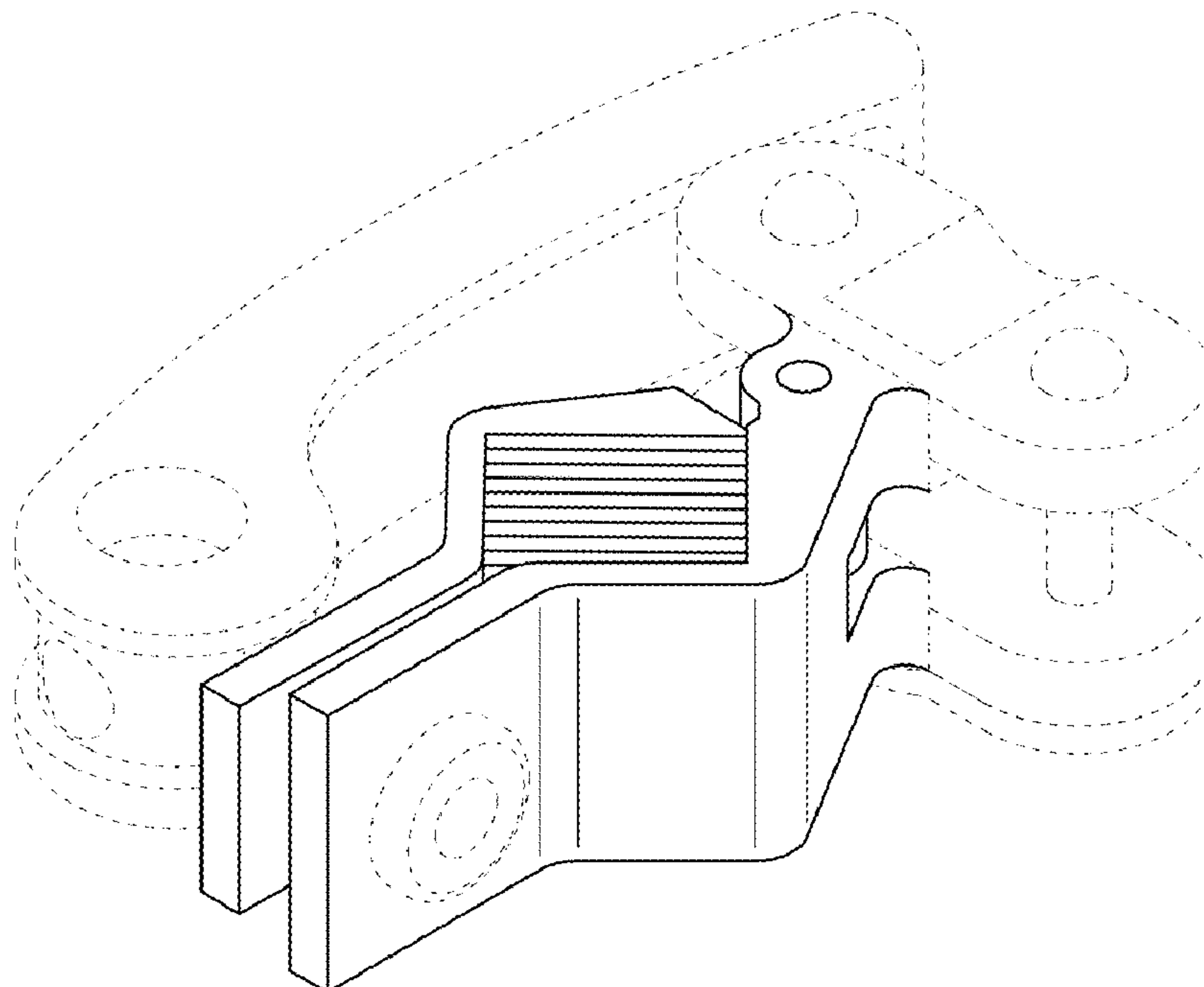
U.S. PATENT DOCUMENTS

1,291,297 A * 1/1919 Walas H01R 11/282
439/829
1,686,842 A * 10/1928 Bullivant H01R 11/282
439/439
3,004,239 A 10/1961 Devino
4,181,392 A * 1/1980 Casler B23K 37/0435
439/432
5,599,210 A 2/1997 Green
5,707,257 A 1/1998 Kotajima et al.
6,364,719 B1 4/2002 Chopra
D485,235 S 1/2004 Liang
6,773,310 B2 * 8/2004 Davis H01R 11/282
439/763
6,802,747 B1 10/2004 Orange
7,052,331 B2 5/2006 Maxwell et al.

DESCRIPTION

FIG. 1 is a top perspective view of a battery clamp;
FIG. 2 is a top plan view thereof of the battery clamp shown in FIG. 1;
FIG. 3 is a right elevational view thereof;
FIG. 4 is a left elevational view thereof;
FIG. 5 is a front elevational view thereof; and,
FIG. 6 is a rear elevational view thereof.
The ornamental design which is claimed is shown in solid lines in the drawings. The broken lines shown represent portions of the battery clamp that form no part of the claimed design. A bottom plan view is not shown because it is a mirror image to the top plan view shown in FIG. 2.

1 Claim, 3 Drawing Sheets



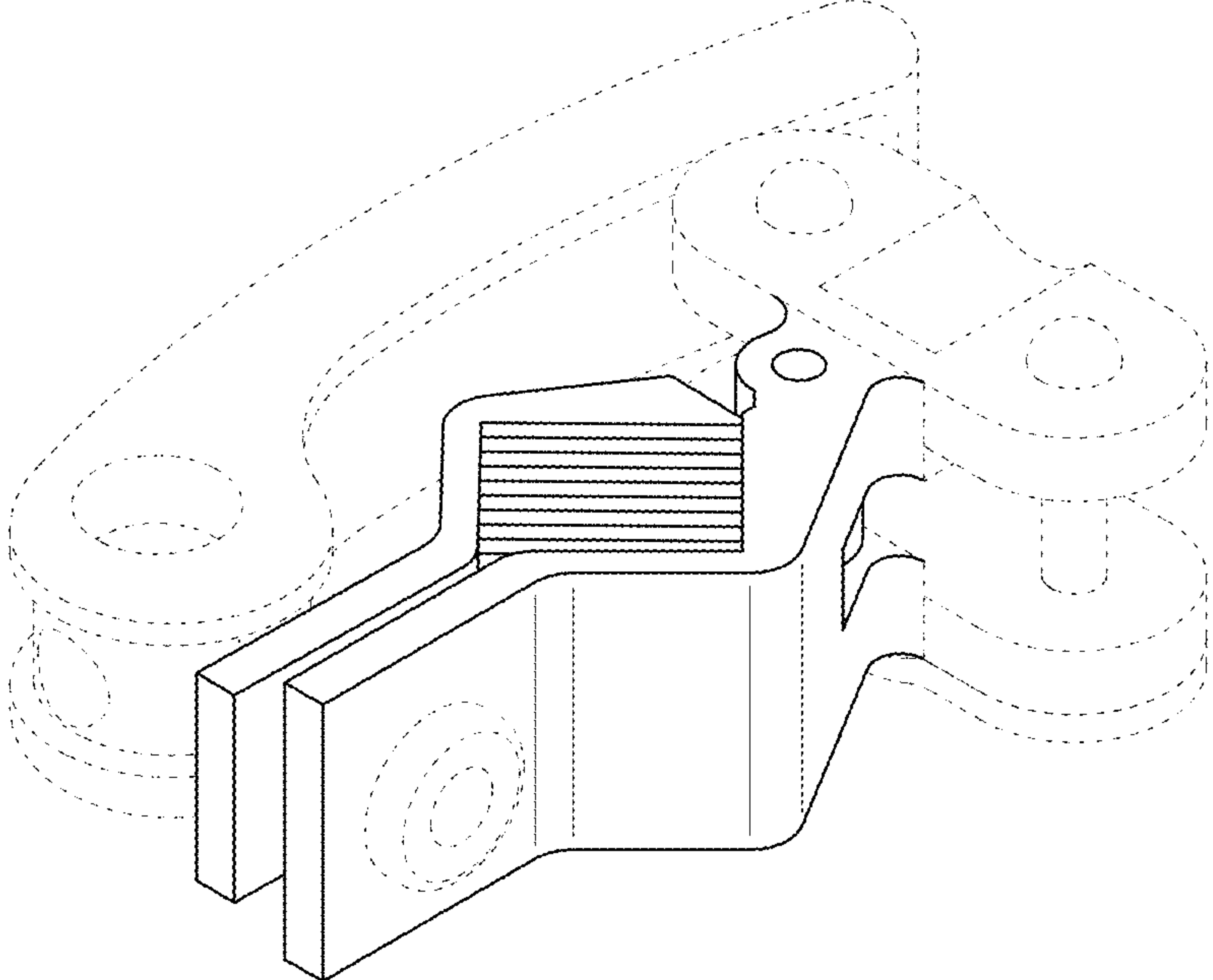


FIG. 1

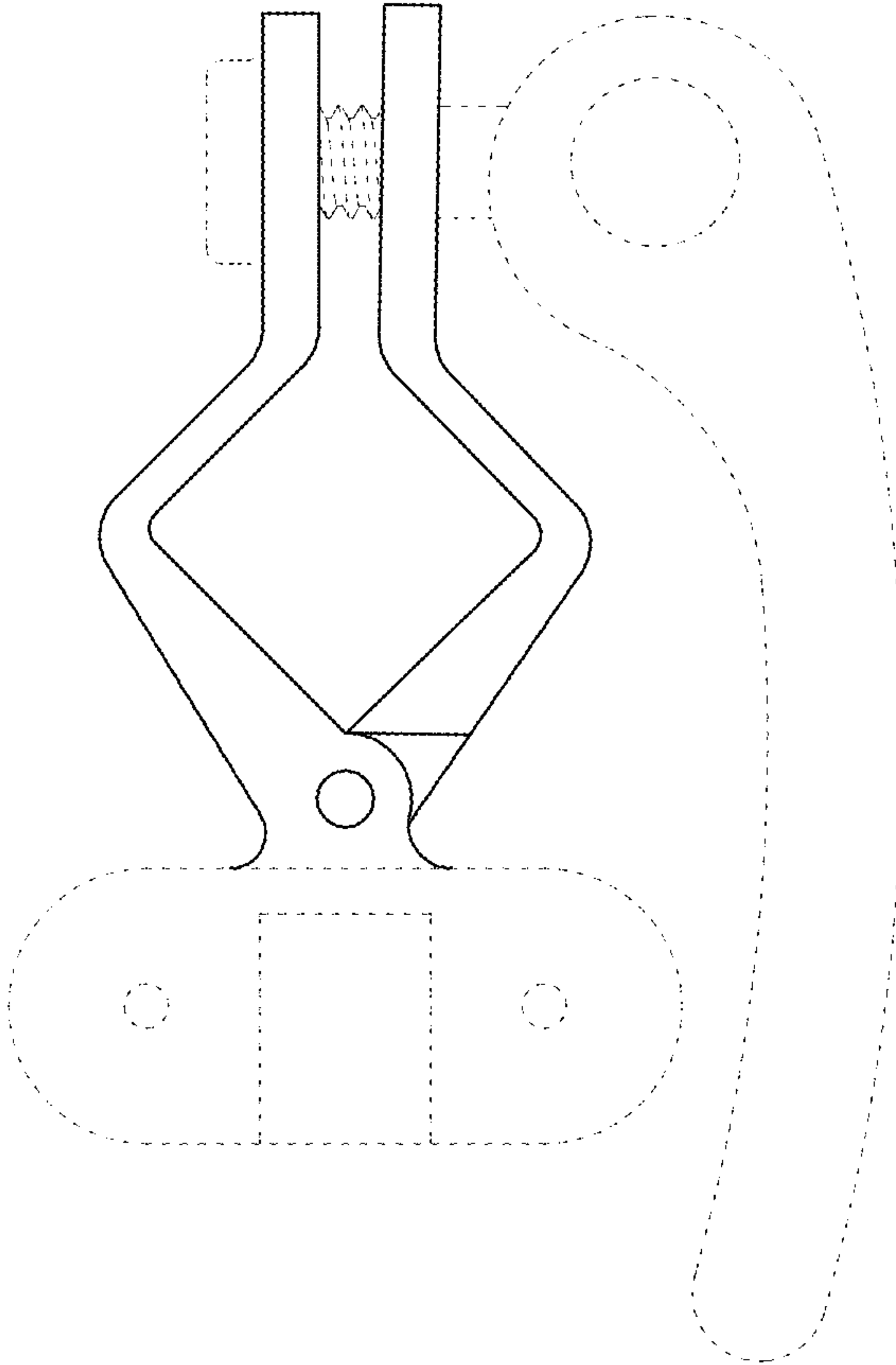


FIG. 2

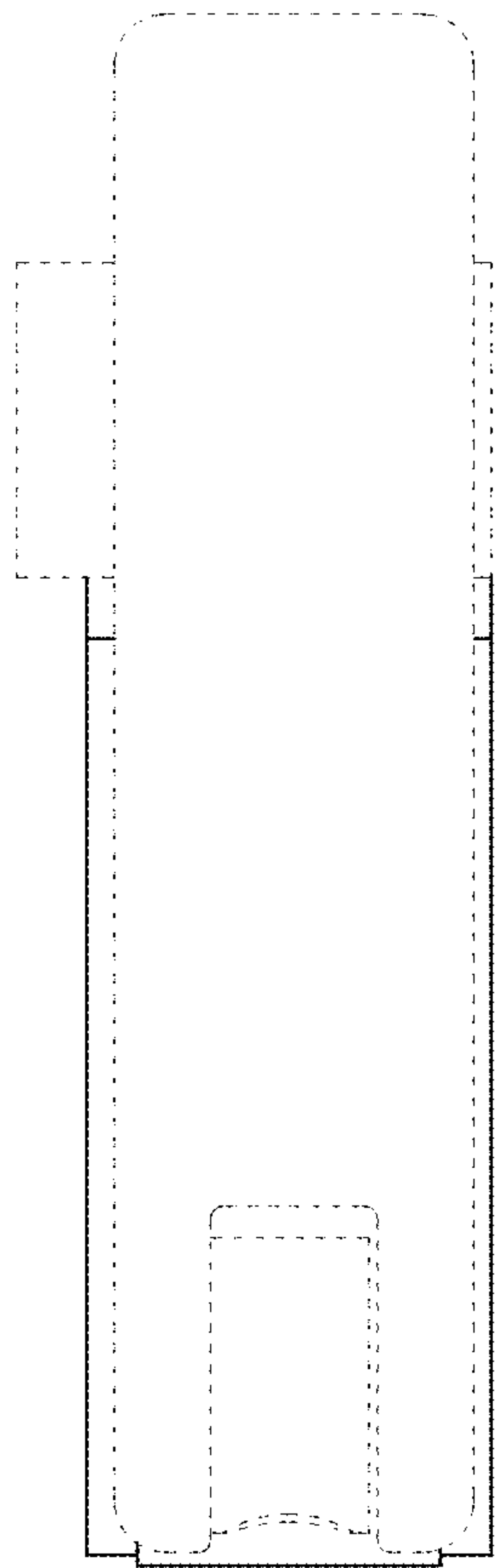


FIG. 3

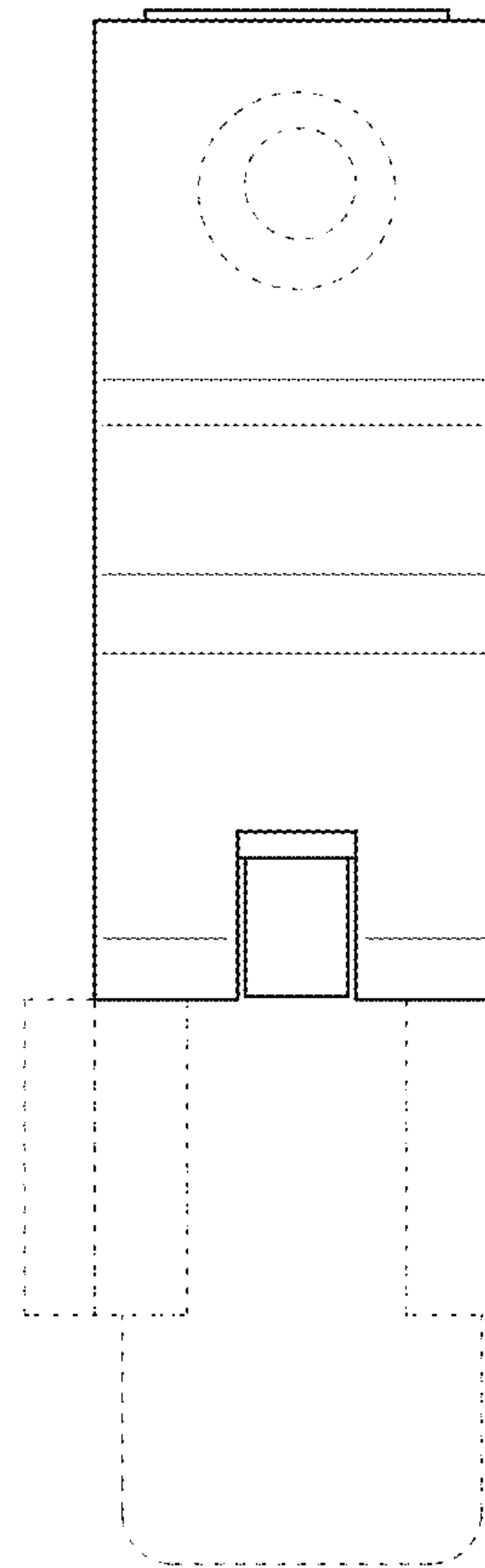


FIG. 4

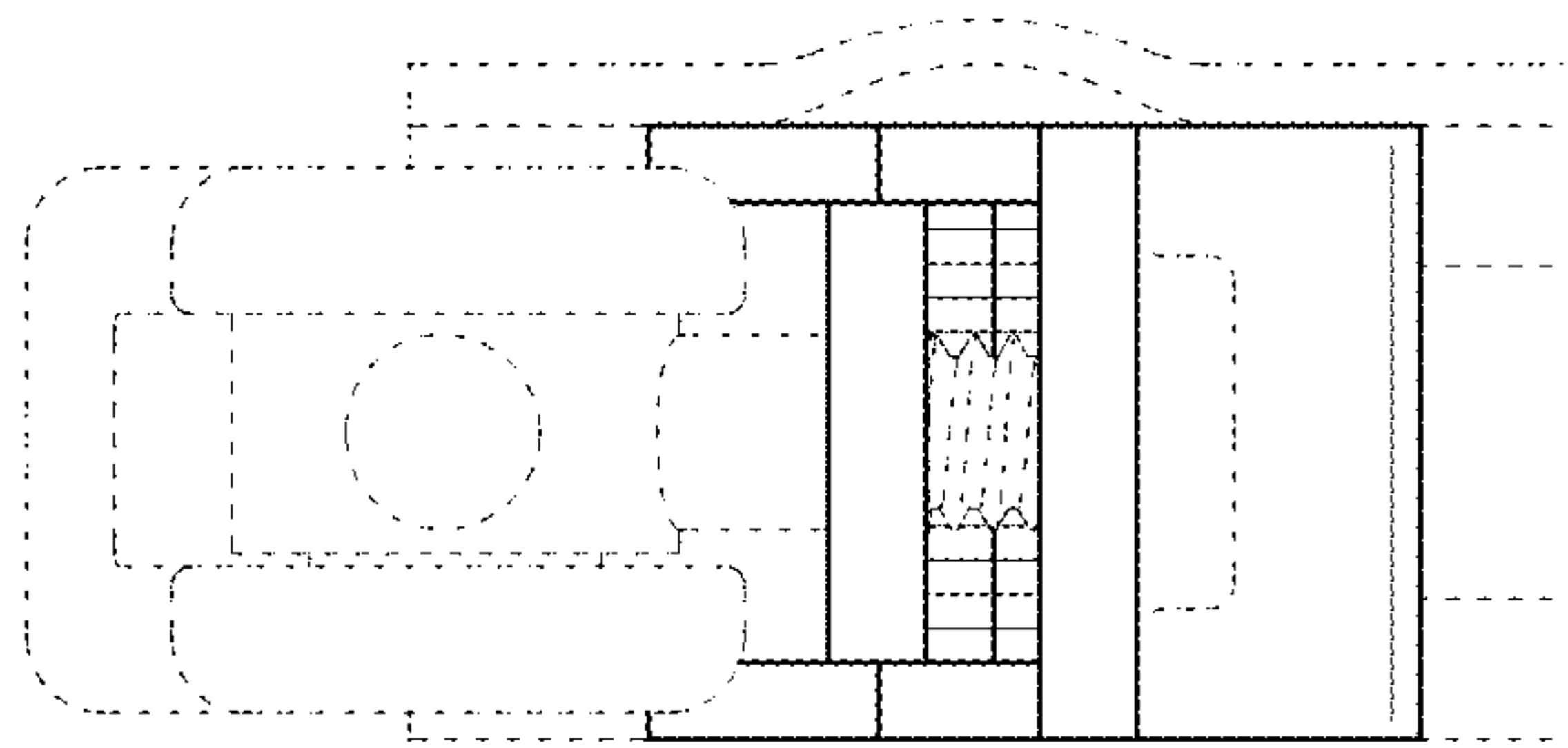


FIG. 5

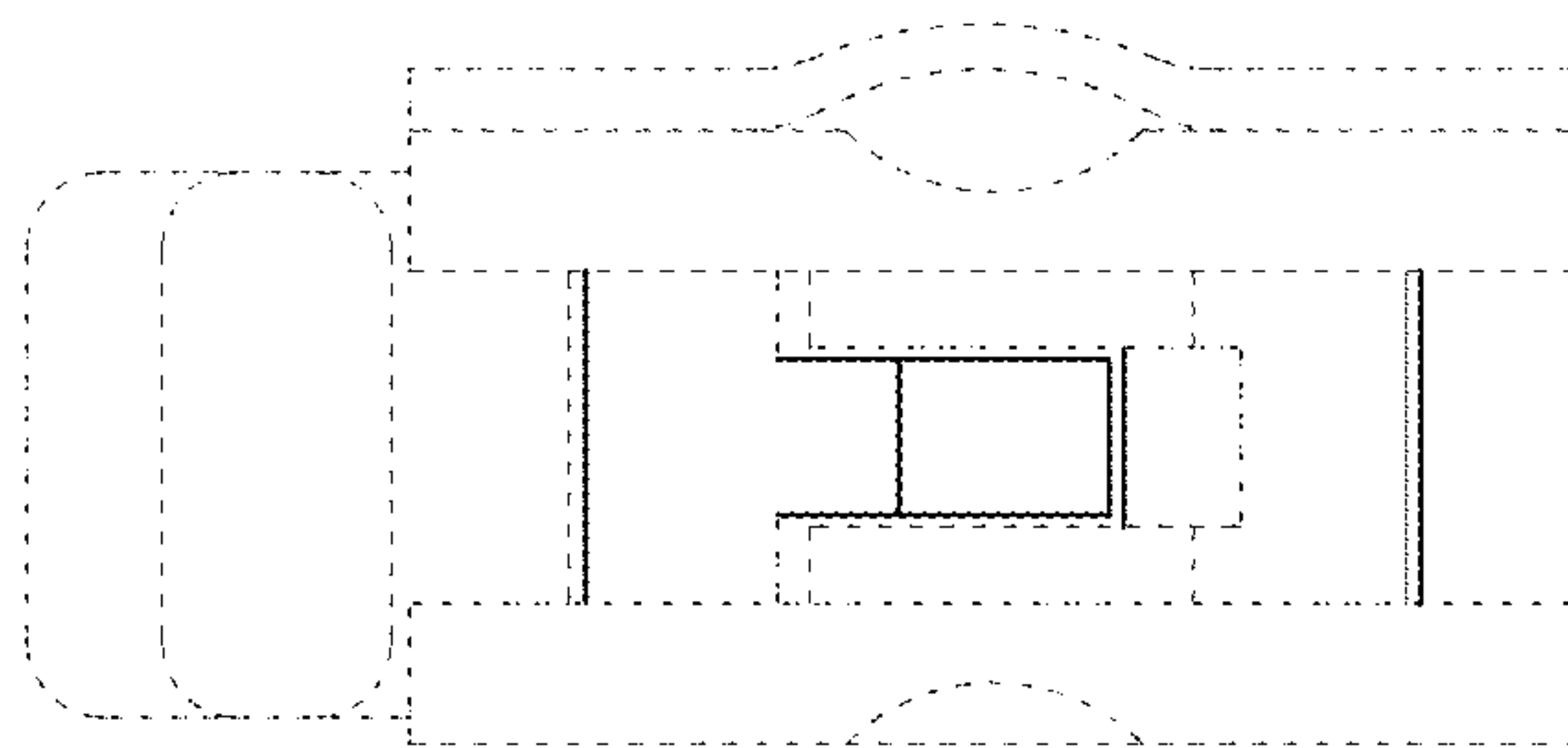


FIG. 6