



US00D947779S

(12) **United States Design Patent** (10) **Patent No.:** **US D947,779 S**
Yin (45) **Date of Patent:** **** Apr. 5, 2022**

(54) **WALL CHARGER**
(71) Applicant: **Dongguan Nuomi Innovation Technology Co., Ltd., Dongguan (CN)**
(72) Inventor: **Heqi Yin, Dongguan (CN)**
(**) Term: **15 Years**
(21) Appl. No.: **29/769,556**

D756,916 S * 5/2016 Yang D13/108
D790,463 S * 6/2017 Lai D13/110
D790,464 S * 6/2017 He D13/110
D821,972 S * 7/2018 Wei D13/108
D866,471 S * 11/2019 Xu D13/137.2
D867,989 S * 11/2019 Akana D13/110
D883,198 S * 5/2020 Zhang D13/107
D897,957 S * 10/2020 Yang D13/110
2010/0117597 A1 * 5/2010 Wang H05K 5/02
320/111
2012/0077361 A1 * 3/2012 Youssefi-Shams H01R 31/06
439/172

(22) Filed: **Feb. 5, 2021**
(51) **LOC (13) Cl.** **13-02**
(52) **U.S. Cl.**
USPC **D13/110**

* cited by examiner

Primary Examiner — Derrick E Holland
(74) *Attorney, Agent, or Firm* — W&K IP

(58) **Field of Classification Search**
USPC D13/110, 101, 103, 107, 108, 118, 123,
D13/133, 162, 168, 169, 184, 199;
D14/242, 257, 432, 433, 438
CPC H05K 5/00; H05K 5/02; H05K 5/0247;
H05K 7/00; H05K 7/20; H05K 7/20136;
H05K 7/20154; H05K 7/209; H02M 7/00;
H02M 7/003; H02M 2001/009; H02J
7/0042; H02J 7/0003; H02J 7/0045; H02J
7/1423; H02J 7/0054; Y10T 307/367;
Y02E 60/12; Y02E 60/50; H01M 2/02;
H01M 2/025; H01M 2/0207; H01M
2/0212; H01M 10/44; H01M 10/46;
H01R 13/60; H01R 13/72; H01R
13/6658; H01R 25/003; H01R 25/006;
G06F 3/023; G06F 3/038; G06F 3/0626;
G06F 3/0658; G06F 9/4413
See application file for complete search history.

(57) **CLAIM**

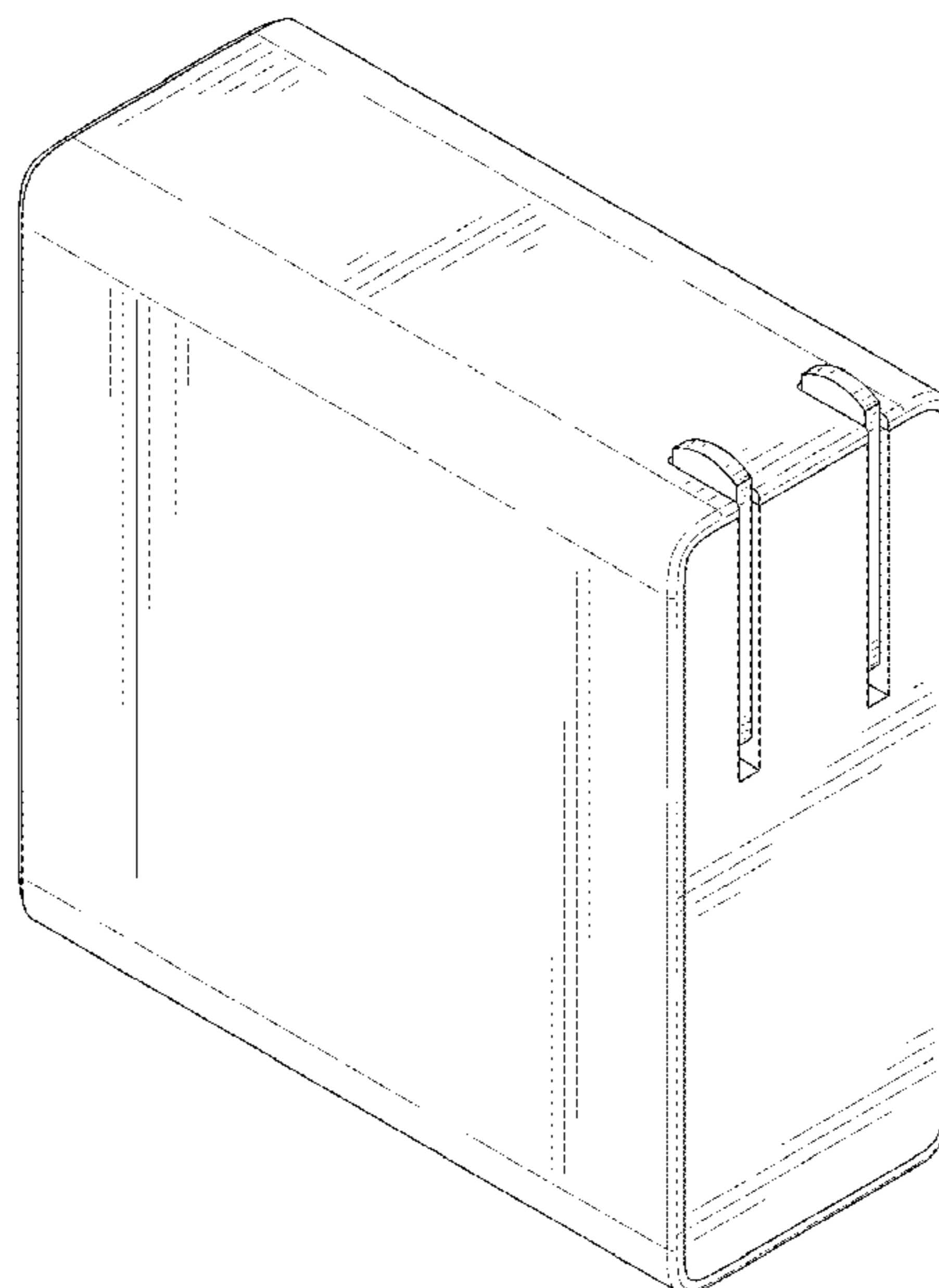
The ornamental design for a wall charger, as shown and described.

DESCRIPTION

FIG. 1 is a front perspective view showing of a wall charger; FIG. 2 is a rear perspective view showing of the wall charger; FIG. 3 is a front elevational view thereof; FIG. 4 is a rear elevational view thereof; FIG. 5 is a left side elevational view thereof; FIG. 6 is a right side elevational view thereof; FIG. 7 is a top plan view thereof; FIG. 8 is a bottom plan view thereof; and, FIG. 9 is a perspective view of the wall charger in use state. The broken lines depict portions of the wall charger that form no part of the claimed design.

(56) **References Cited**
U.S. PATENT DOCUMENTS
7,621,765 B1 * 11/2009 Wu H01R 27/00
439/173
D731,970 S * 6/2015 Kamath D13/110

1 Claim, 9 Drawing Sheets



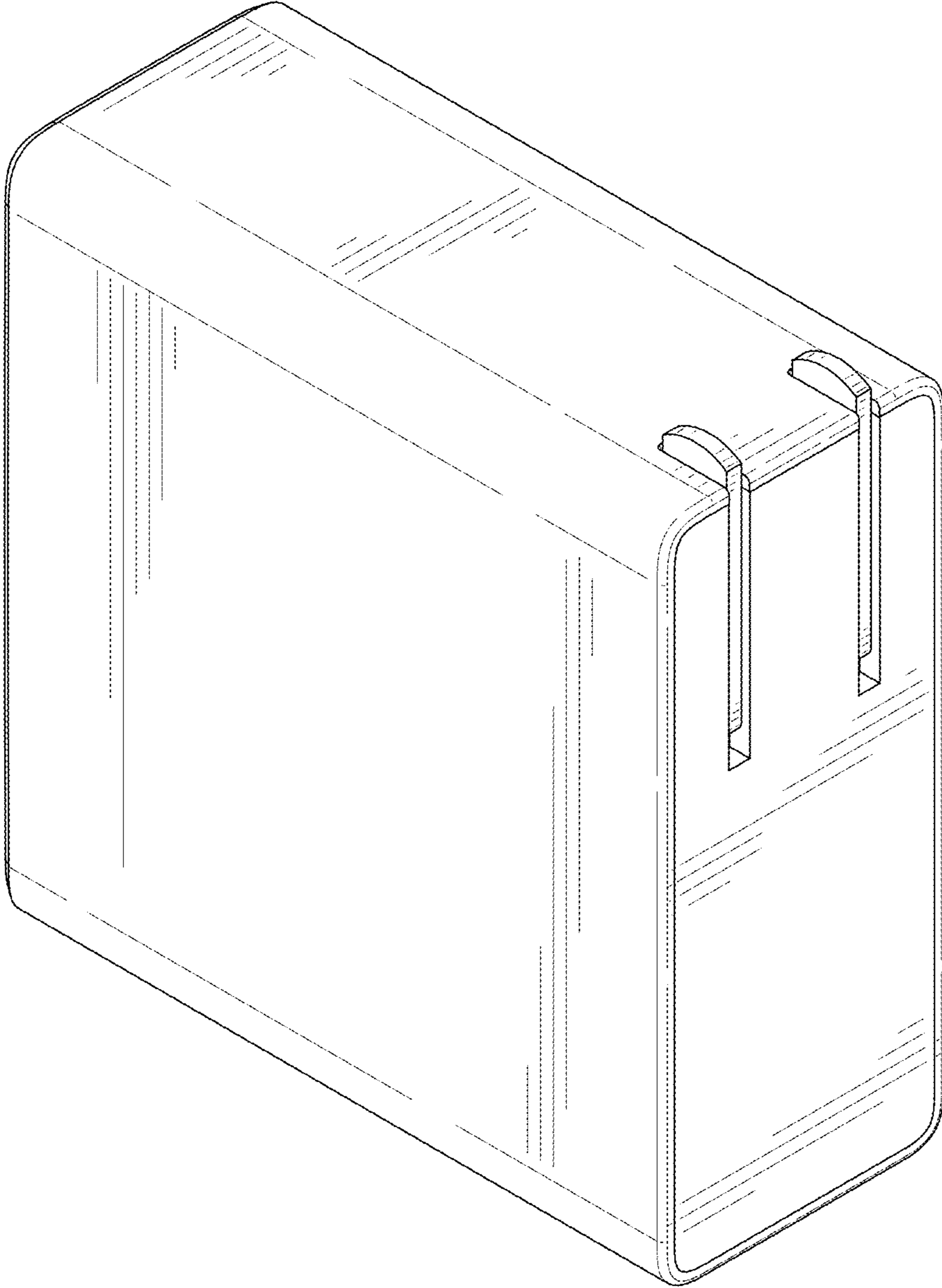


FIG. 1

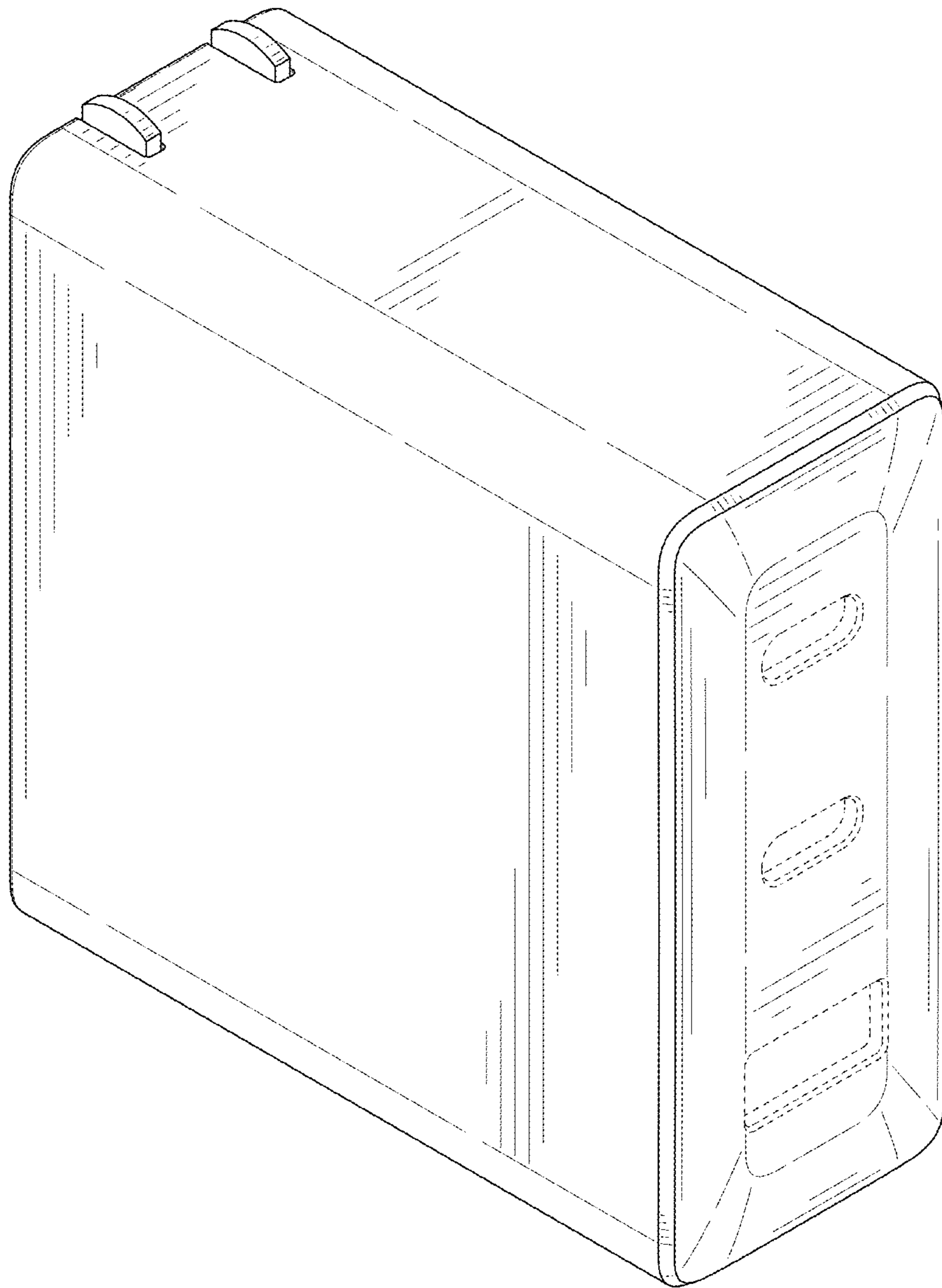


FIG. 2

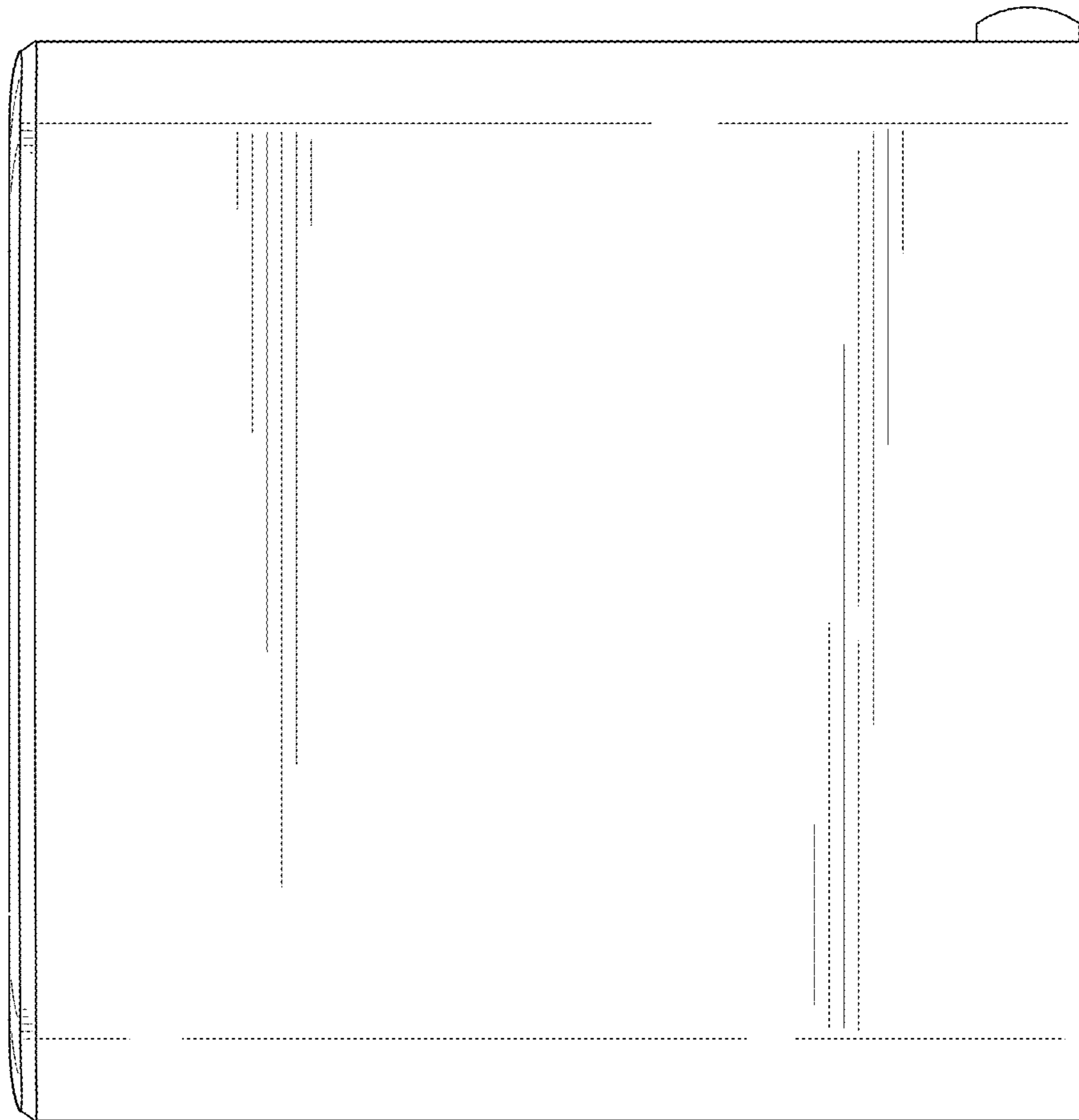


FIG. 3

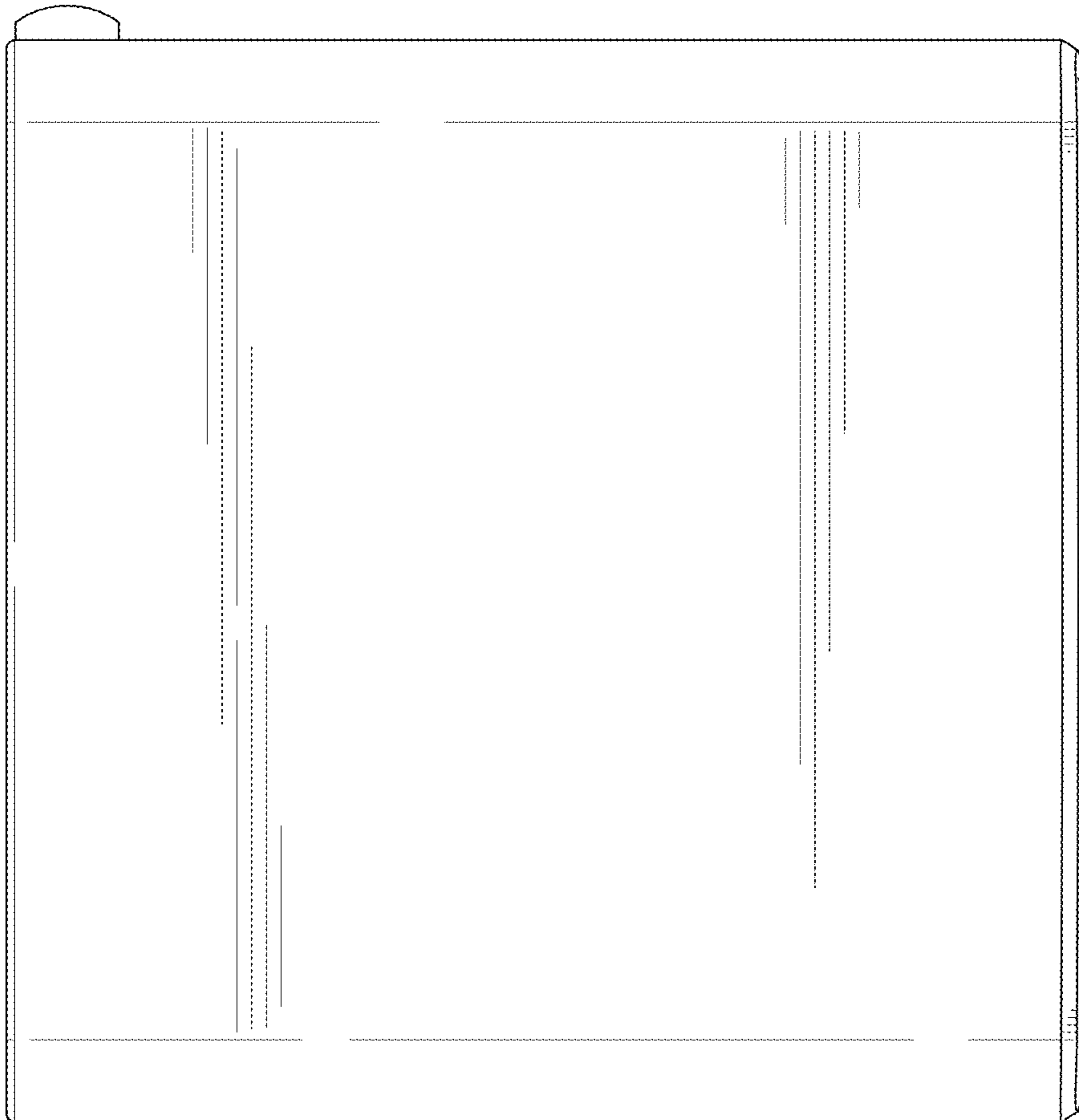


FIG. 4

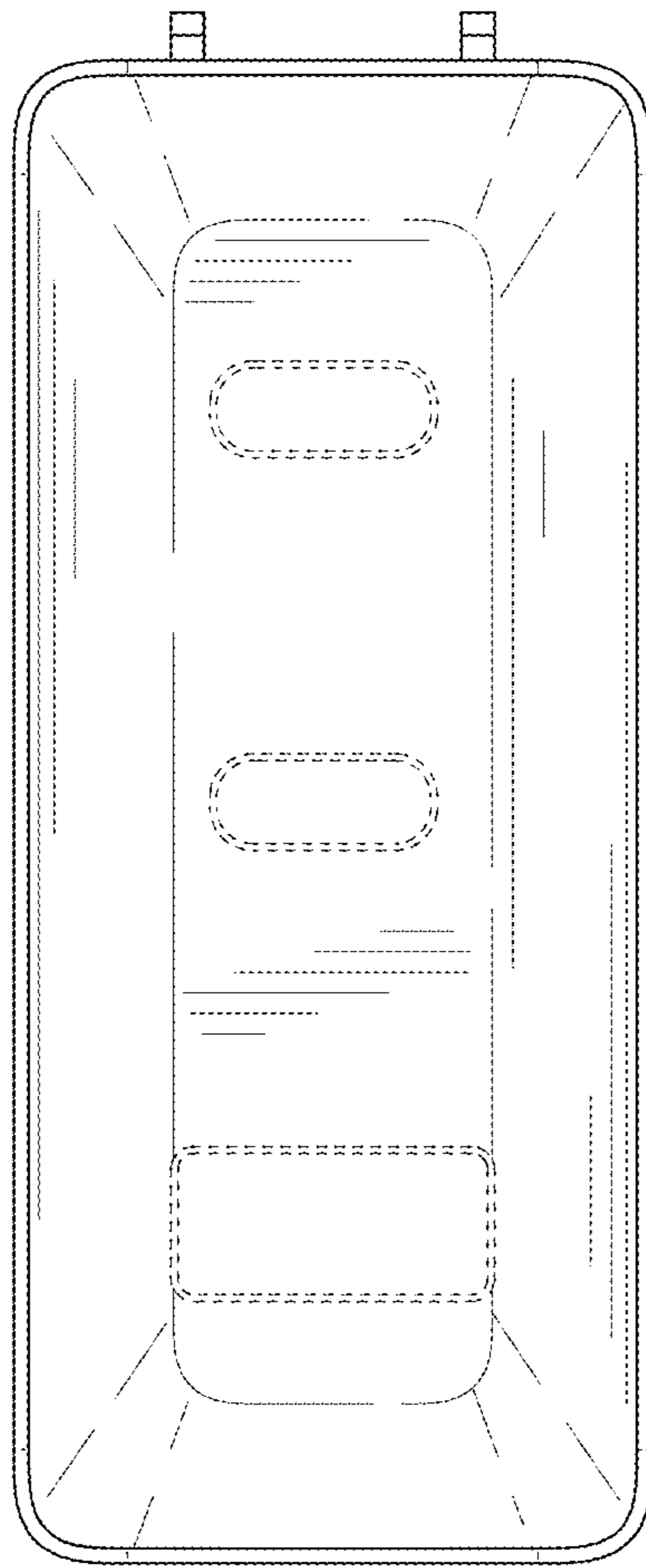


FIG. 5

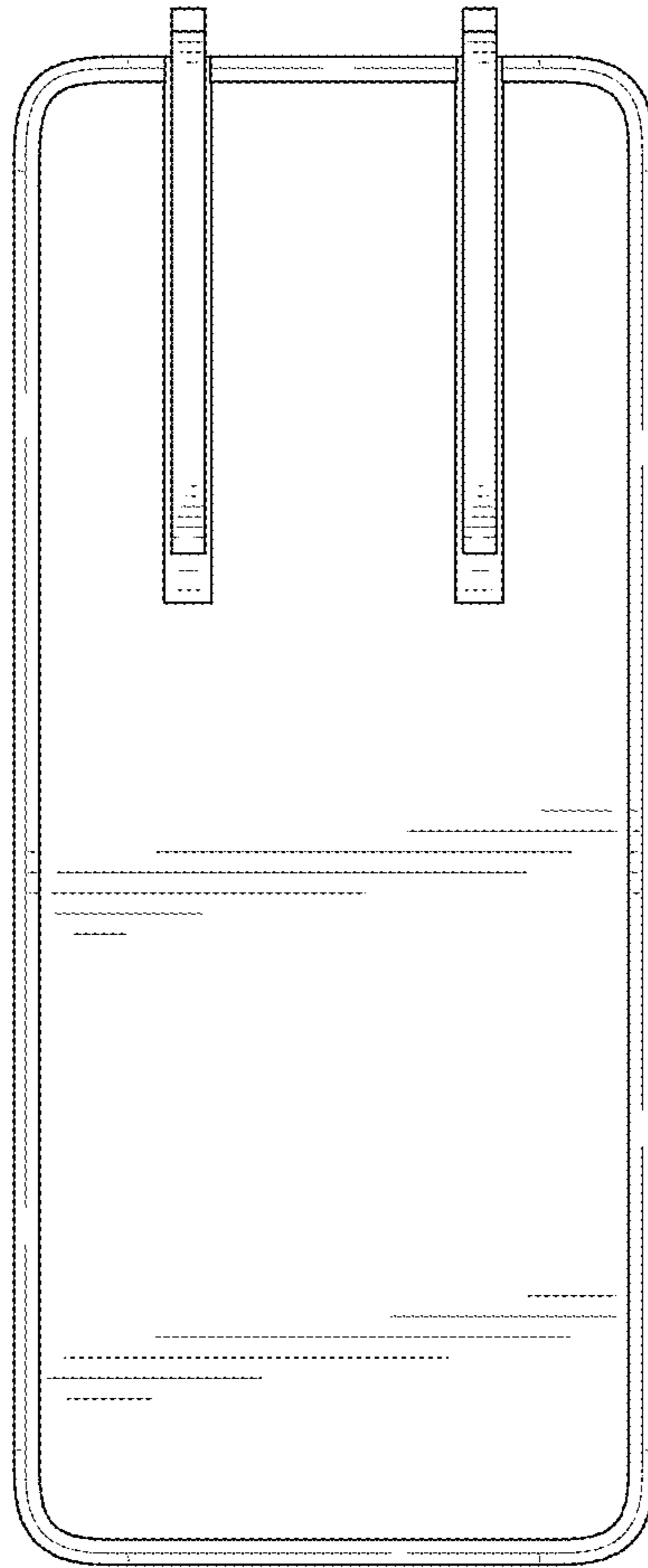


FIG. 6

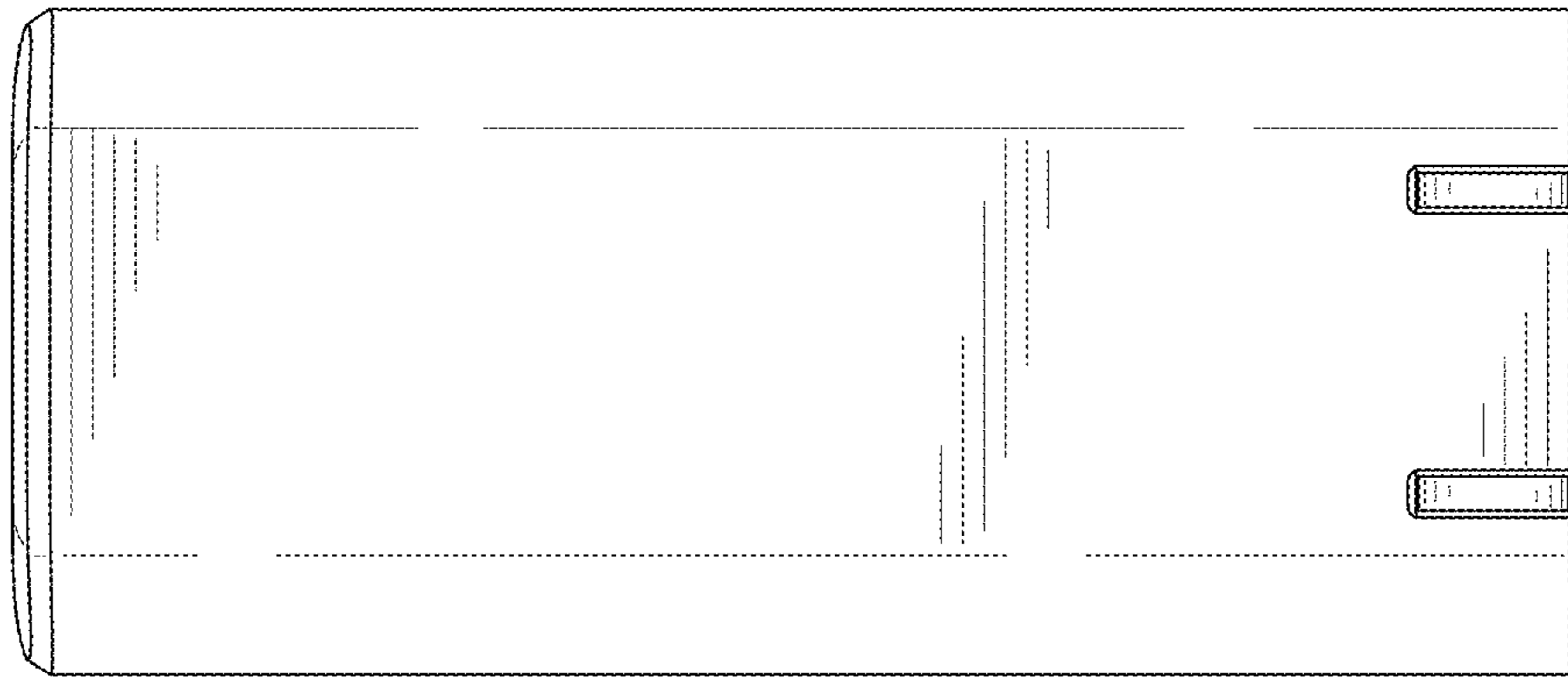


FIG. 7

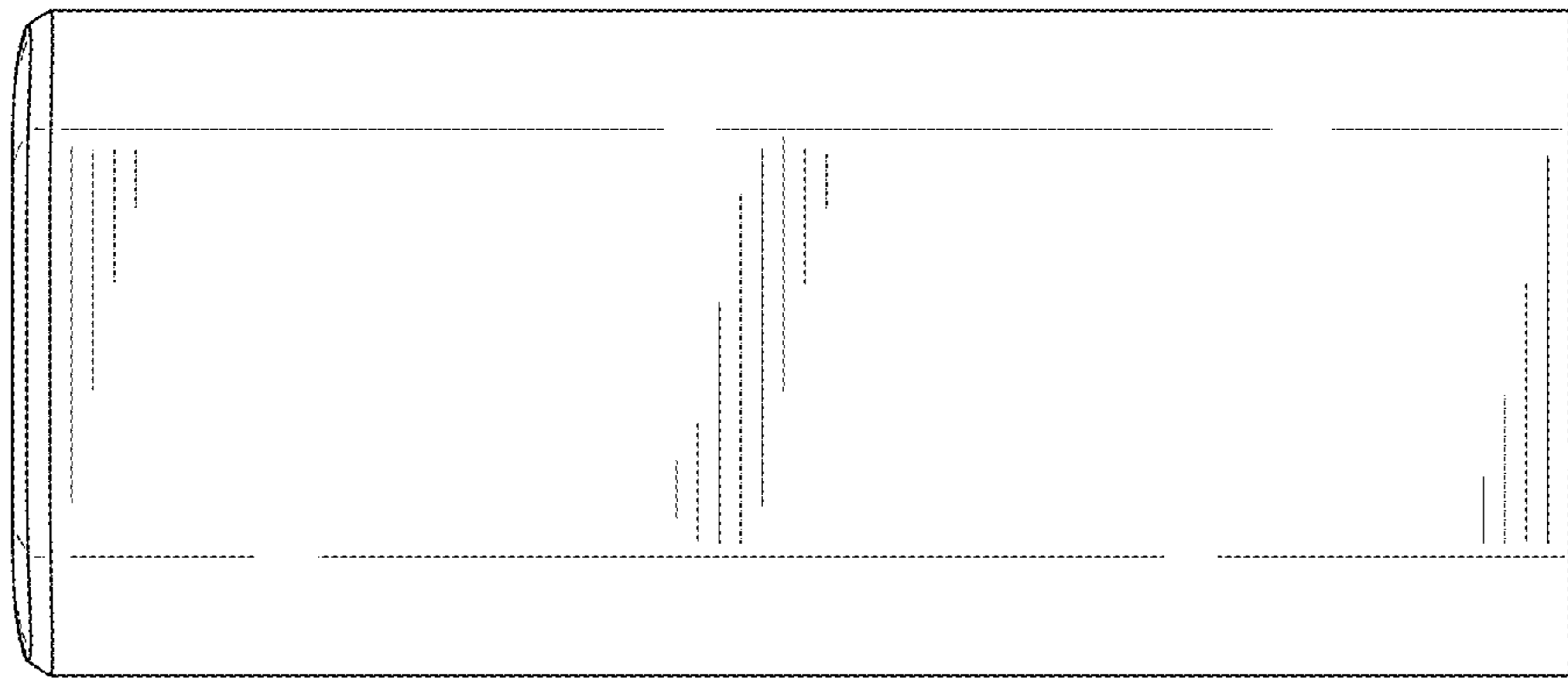


FIG. 8

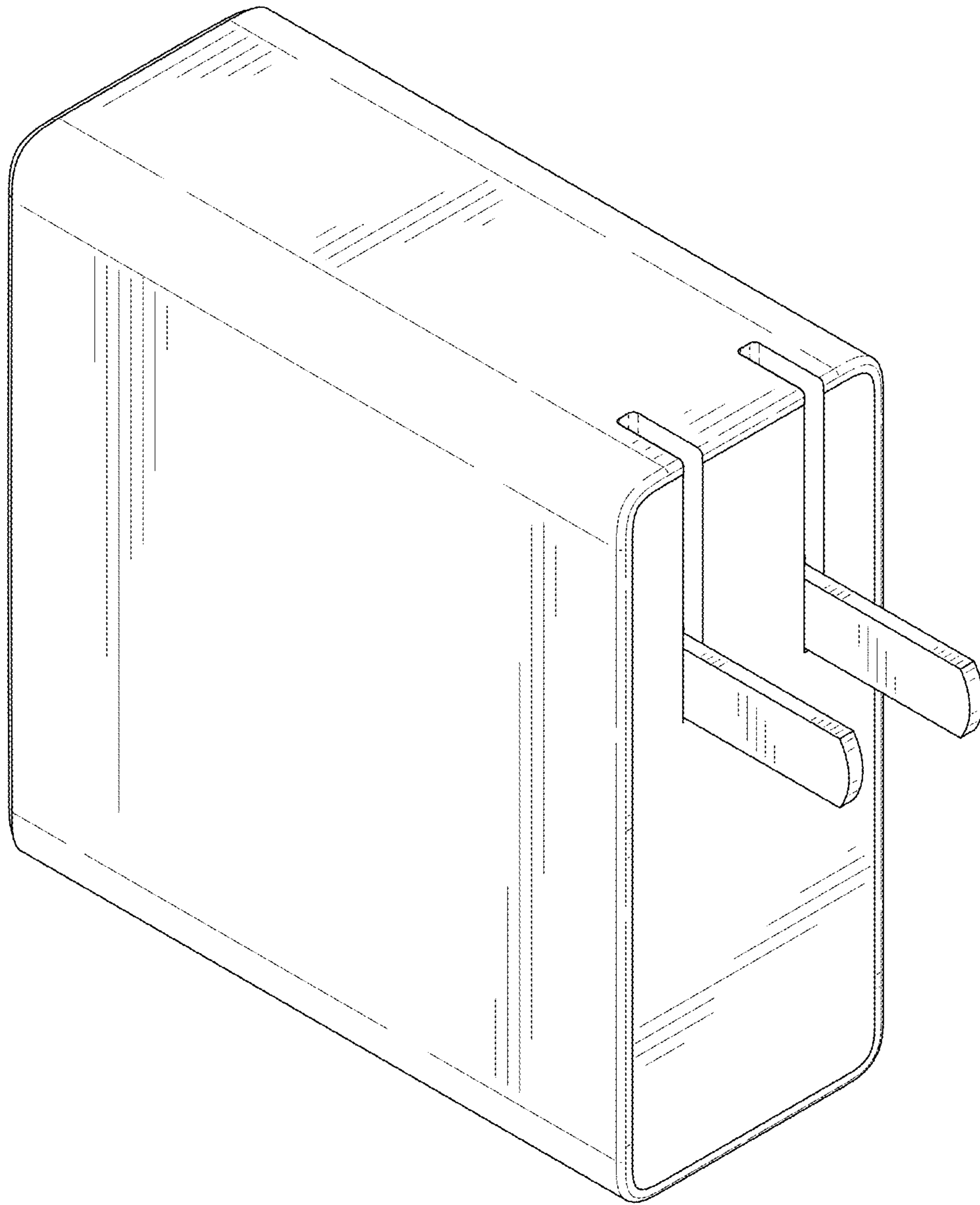


FIG. 9