



US00D947777S

(12) **United States Design Patent** (10) **Patent No.:** **US D947,777 S**
Christiansen (45) **Date of Patent:** **** Apr. 5, 2022**

(54) **CHARGER FOR HEARING AIDS**
 (71) Applicant: **GN Hearing A/S**, Ballerup (DK)
 (72) Inventor: **Henrik Hetz Christiansen**,
 DK-Copenhagen K (DK)

D890,091 S * 7/2020 Cramer D13/108
 D906,299 S * 12/2020 Luo D14/223
 D910,603 S * 2/2021 Li D14/223
 D914,591 S * 3/2021 Ganapathy D13/107

(73) Assignee: **GN HEARING A/S**, Ballerup (DK)
 (**) Term: **15 Years**

OTHER PUBLICATIONS

“Hearing Aid Charger . . .” reference dated 2018 found by RMS on the internet at: <https://mcgugan-design.com/product/hearing-aid-charger>.*

(21) Appl. No.: **35/509,805**
 (22) Filed: **Jul. 2, 2020**

* cited by examiner

Primary Examiner — Rhea Shields
 (74) *Attorney, Agent, or Firm* — Vista IP Law Group, LLP

(80) **Hague Agreement Data**
 Int. Filing Date: **Jul. 2, 2020**
 Int. Reg. No.: **DM/209079**
 Int. Reg. Date: **Jul. 2, 2020**
 Int. Reg. Pub. Date: **Jul. 17, 2020**

(57) **CLAIM**
 The ornamental design for a charger for hearing aids, as shown and described.

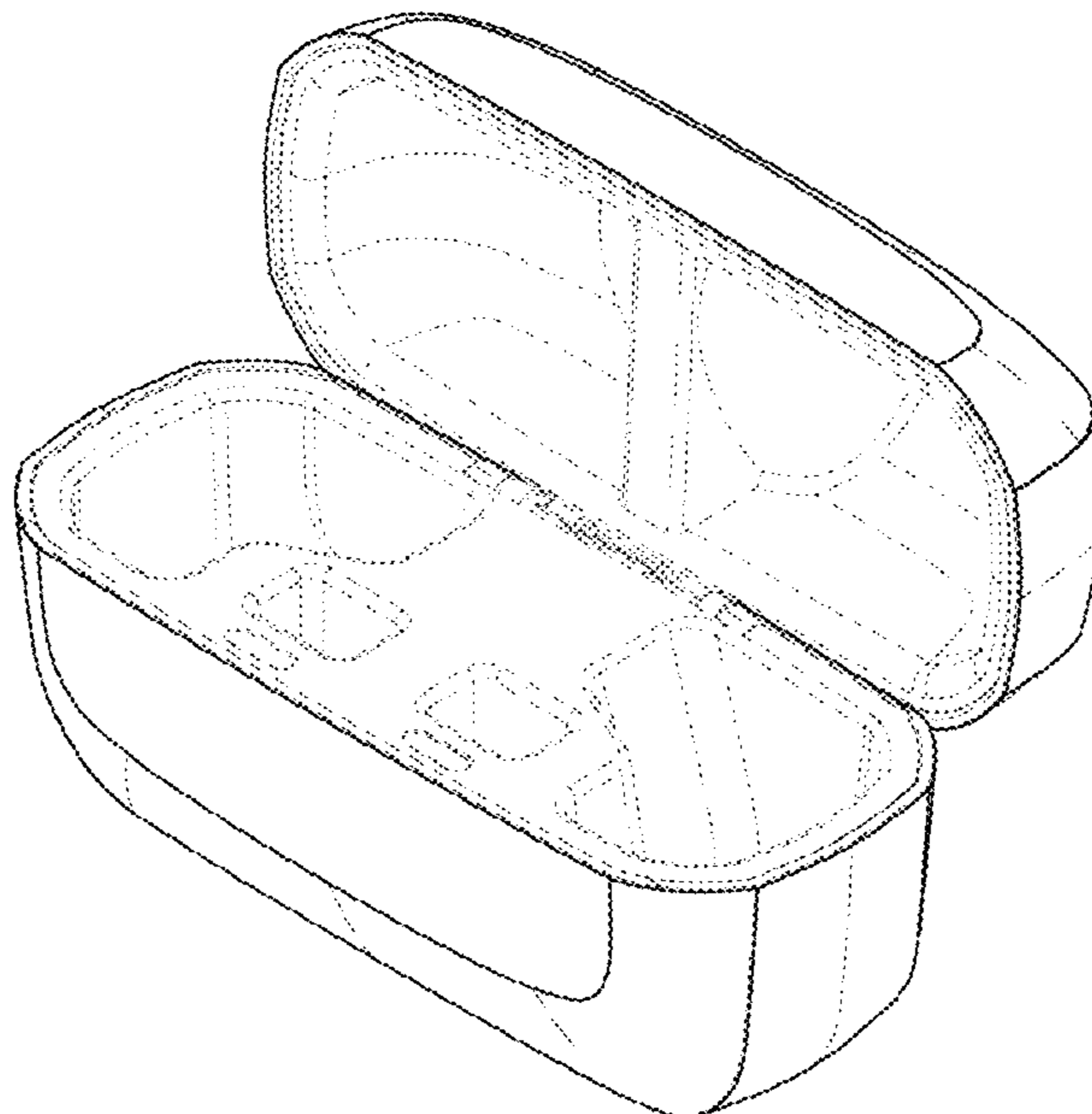
(51) **LOC (13) Cl.** **13-02**
 (52) **U.S. Cl.**
 USPC **D13/108**
 (58) **Field of Classification Search**
 USPC D13/108, 107; D14/223, 224.1
 CPC H04R 25/602
 See application file for complete search history.

DESCRIPTION

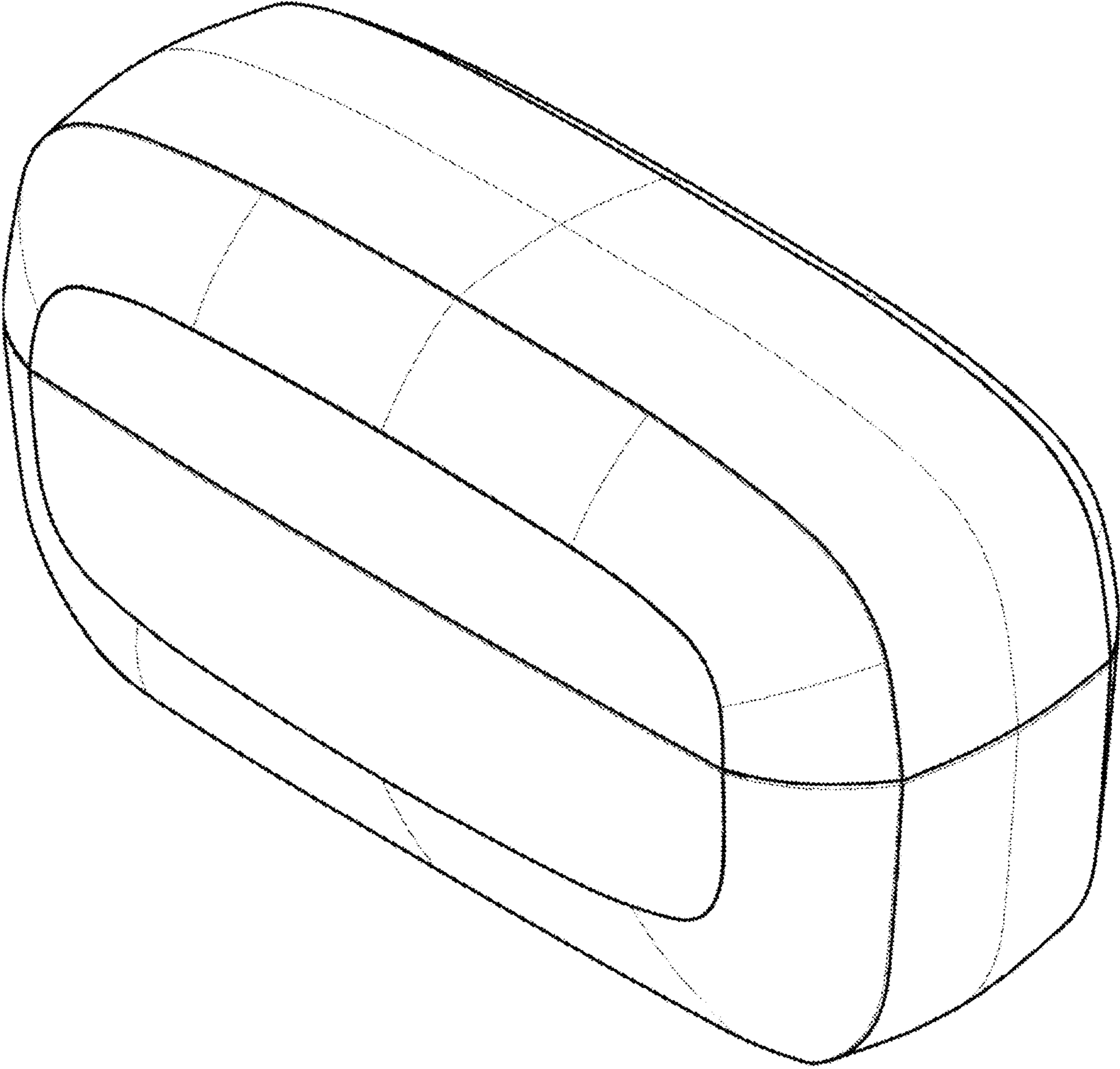
1.1 is a closed perspective view;
1.2 is a closed front view;
1.3 is a closed back view;
1.4 is a closed left view;
1.5 is a closed right view;
1.6 is a closed top view;
1.7 is a closed bottom view;
1.8 is a open perspective view;
1.9 is a open front view;
1.10 is a open back view;
1.11 is a open right view;
1.12 is a open left view;
1.13 is a open top view; and
1.14 is a open perspective view.
 In the reproductions, the broken lines are for the purpose of illustrating portions of the charger for hearing aids that form no part of the claimed design.

(56) **References Cited**
 U.S. PATENT DOCUMENTS
 D610,983 S * 3/2010 Wai D13/108
 D639,788 S * 6/2011 Borregaard D14/224.1
 D696,194 S * 12/2013 Hatanaka D13/108
 D749,042 S * 2/2016 Gecawicz D13/107
 9,930,459 B2 * 3/2018 Cano H04R 25/602
 D826,152 S * 8/2018 Christiansen D13/108
 D841,580 S * 2/2019 Bao D13/108
 D850,365 S * 6/2019 Loermann D13/107
 D870,666 S * 12/2019 Madsen D13/108

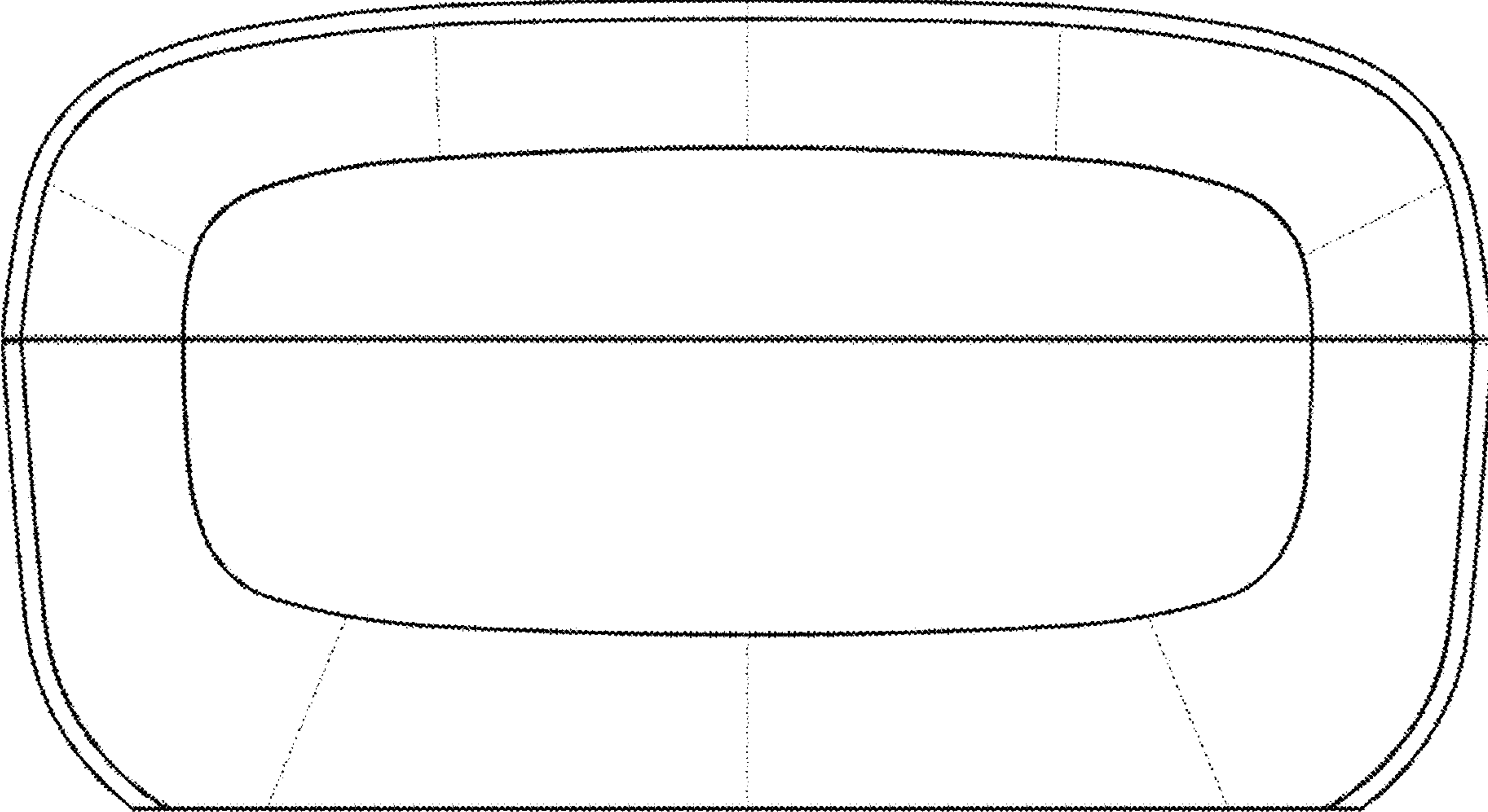
1 Claim, 14 Drawing Sheets



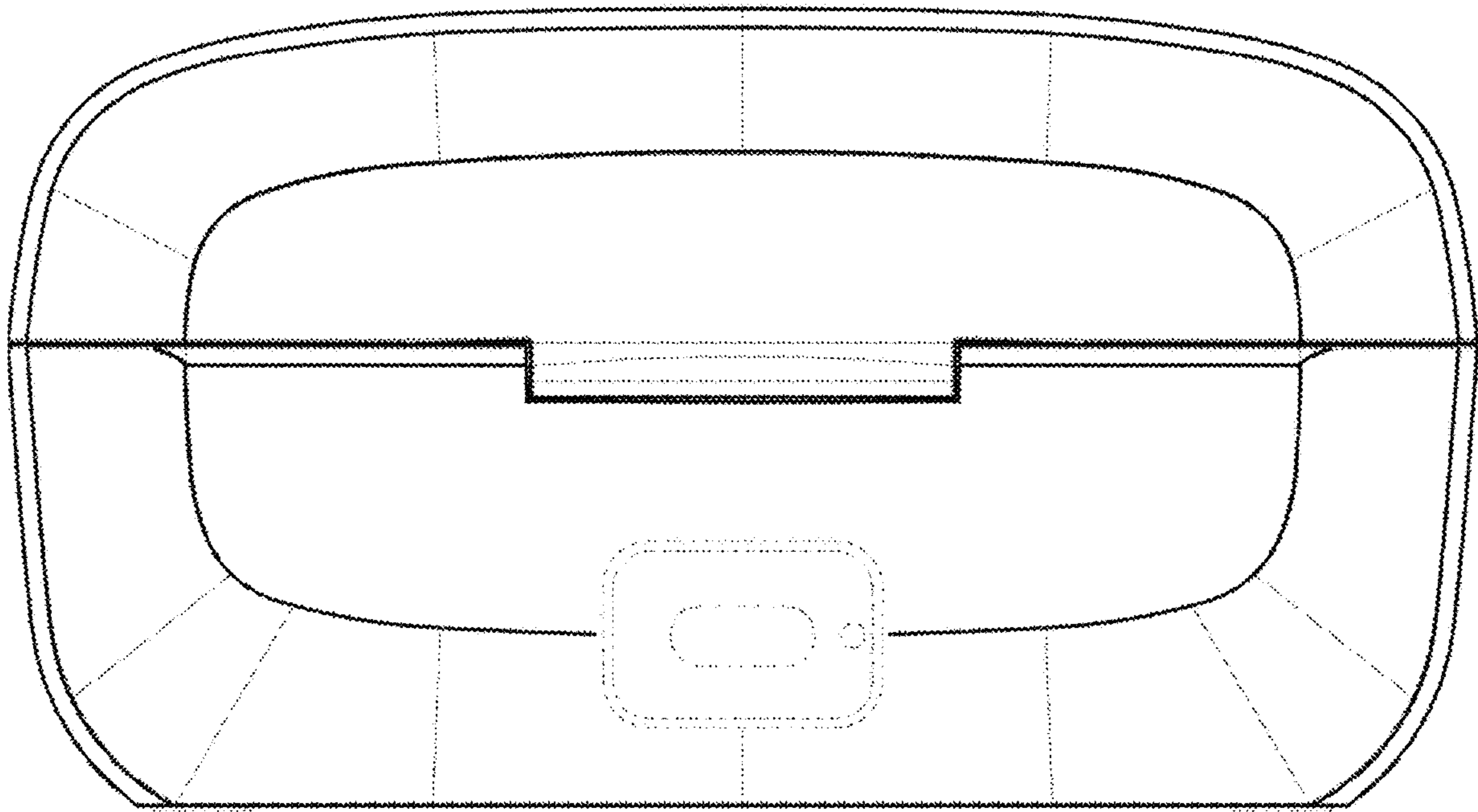
1.1



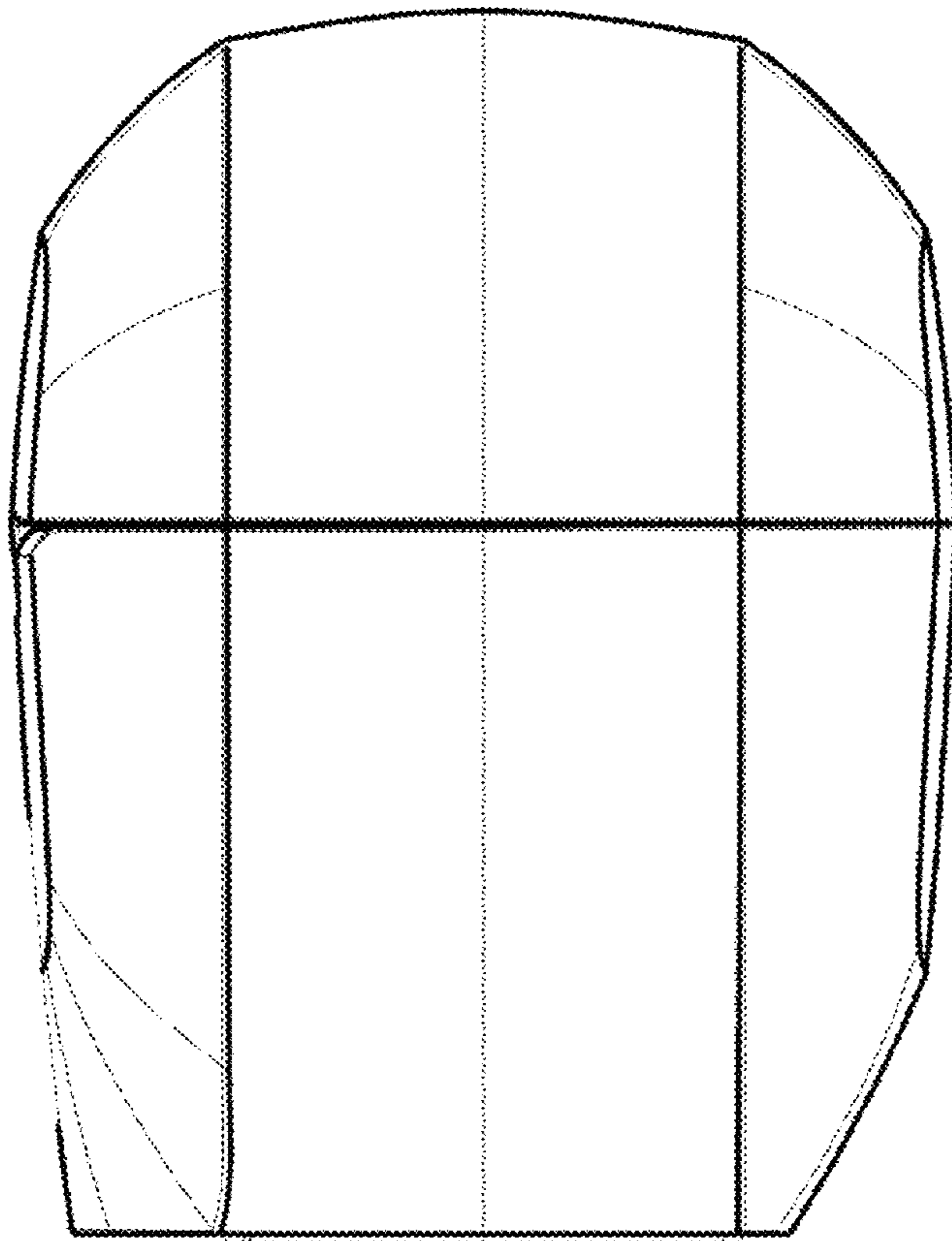
1.2



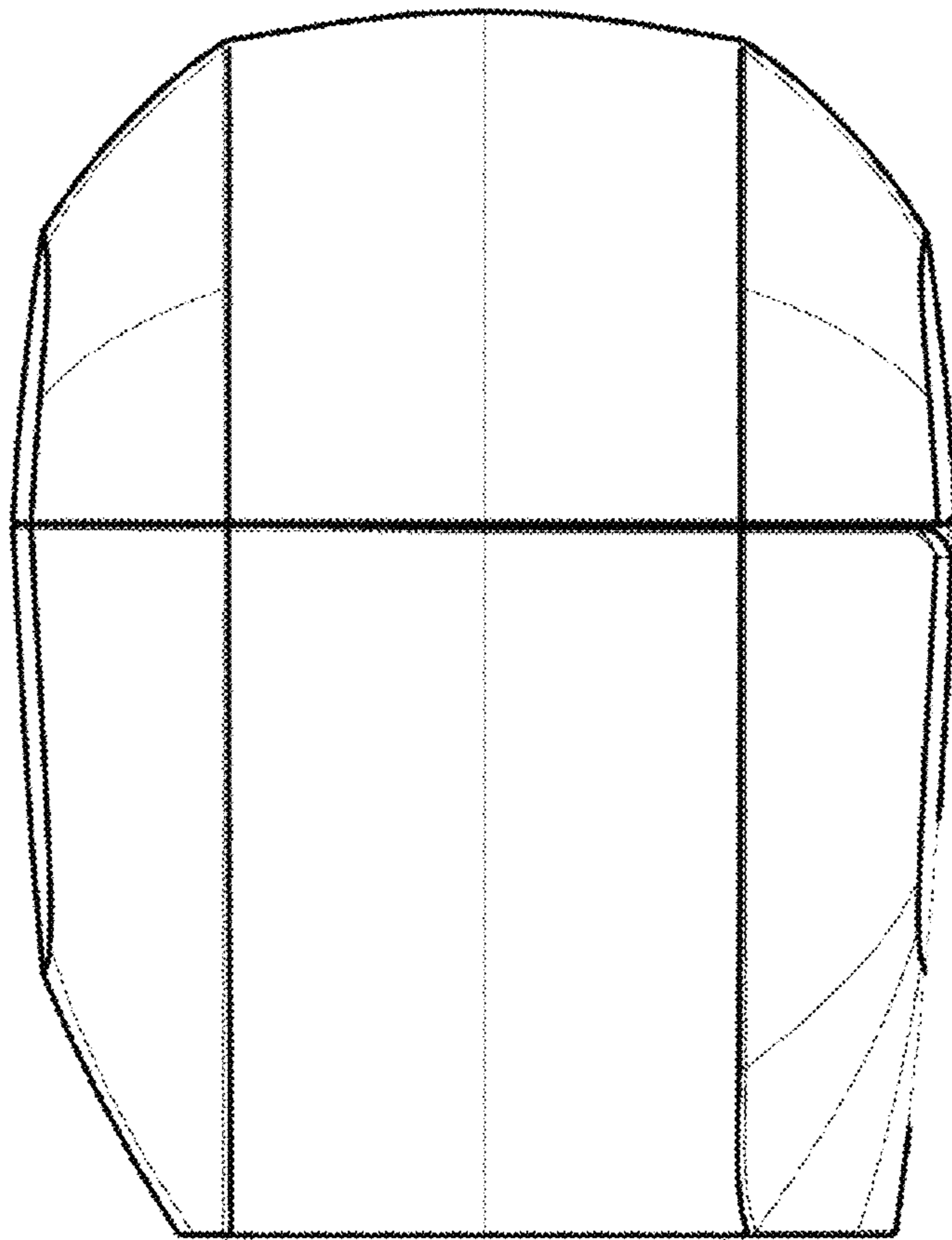
1.3



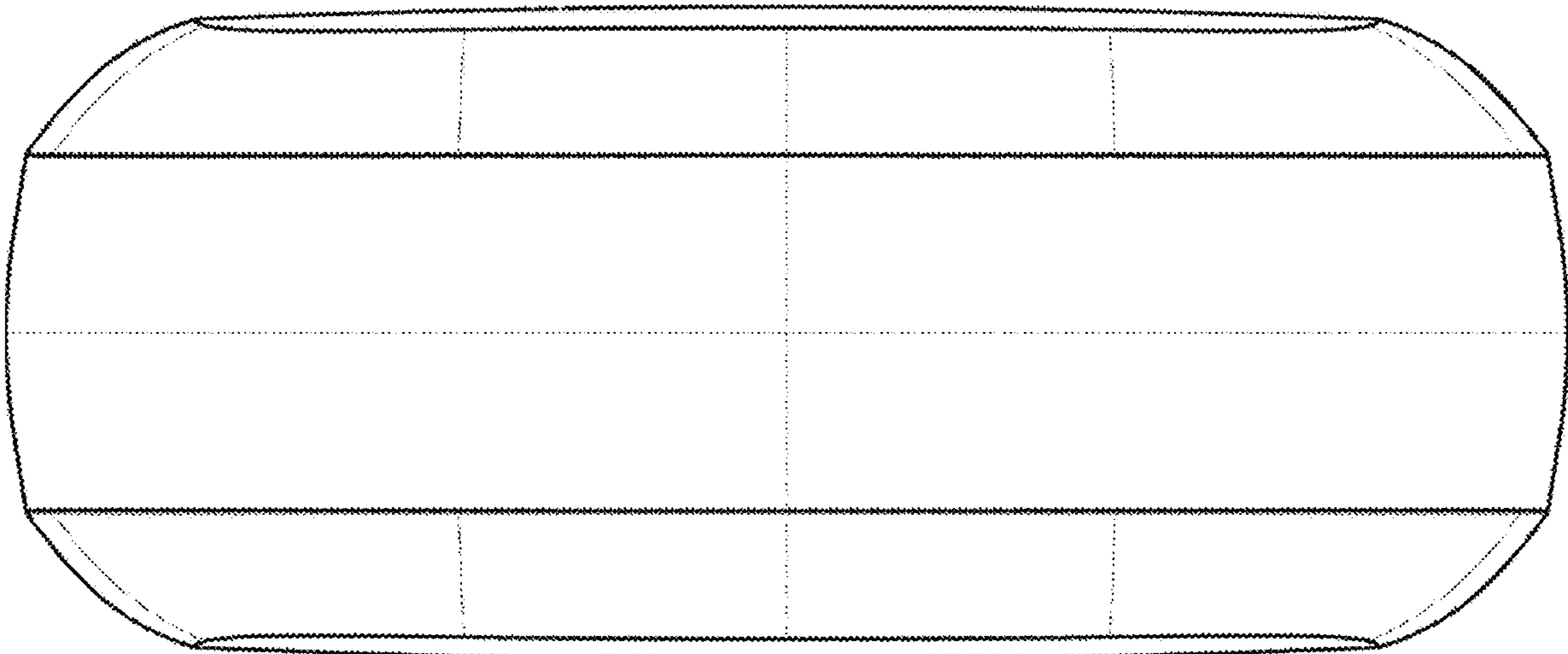
1.4



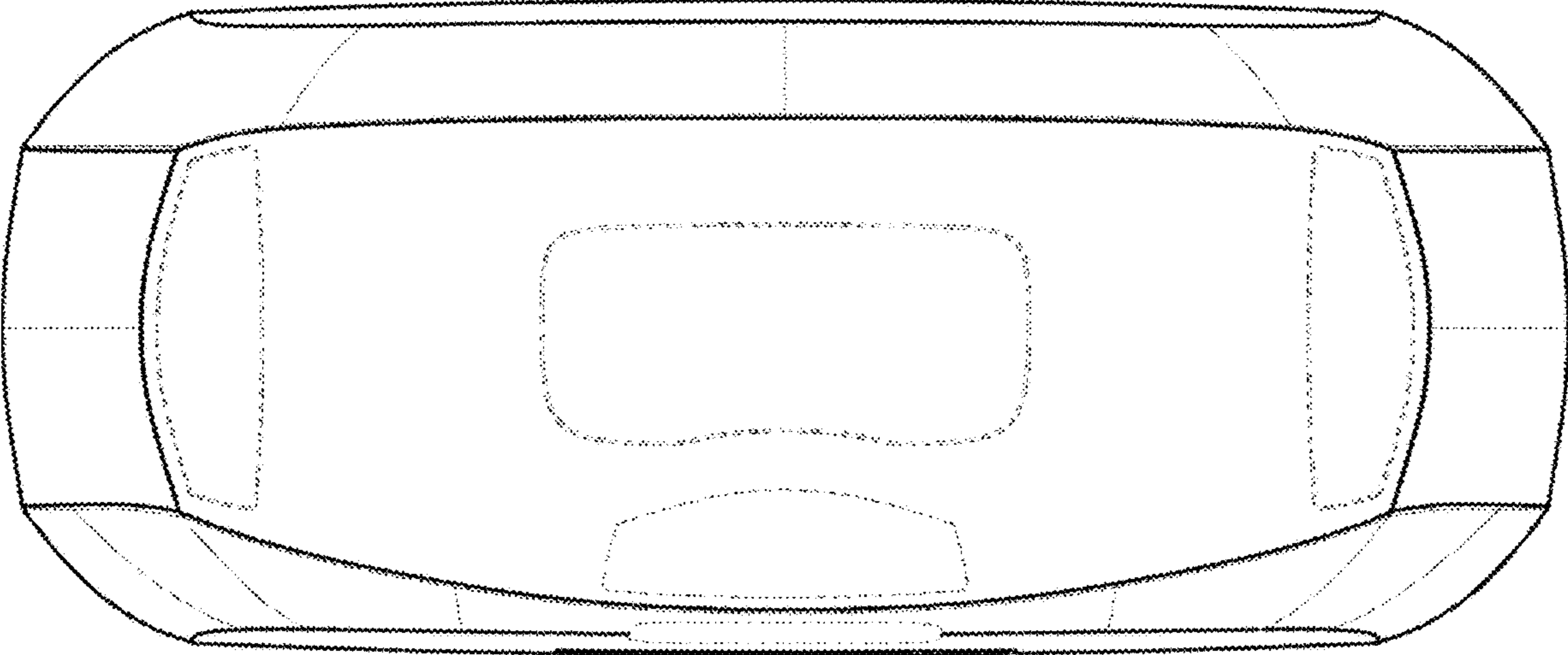
1.5



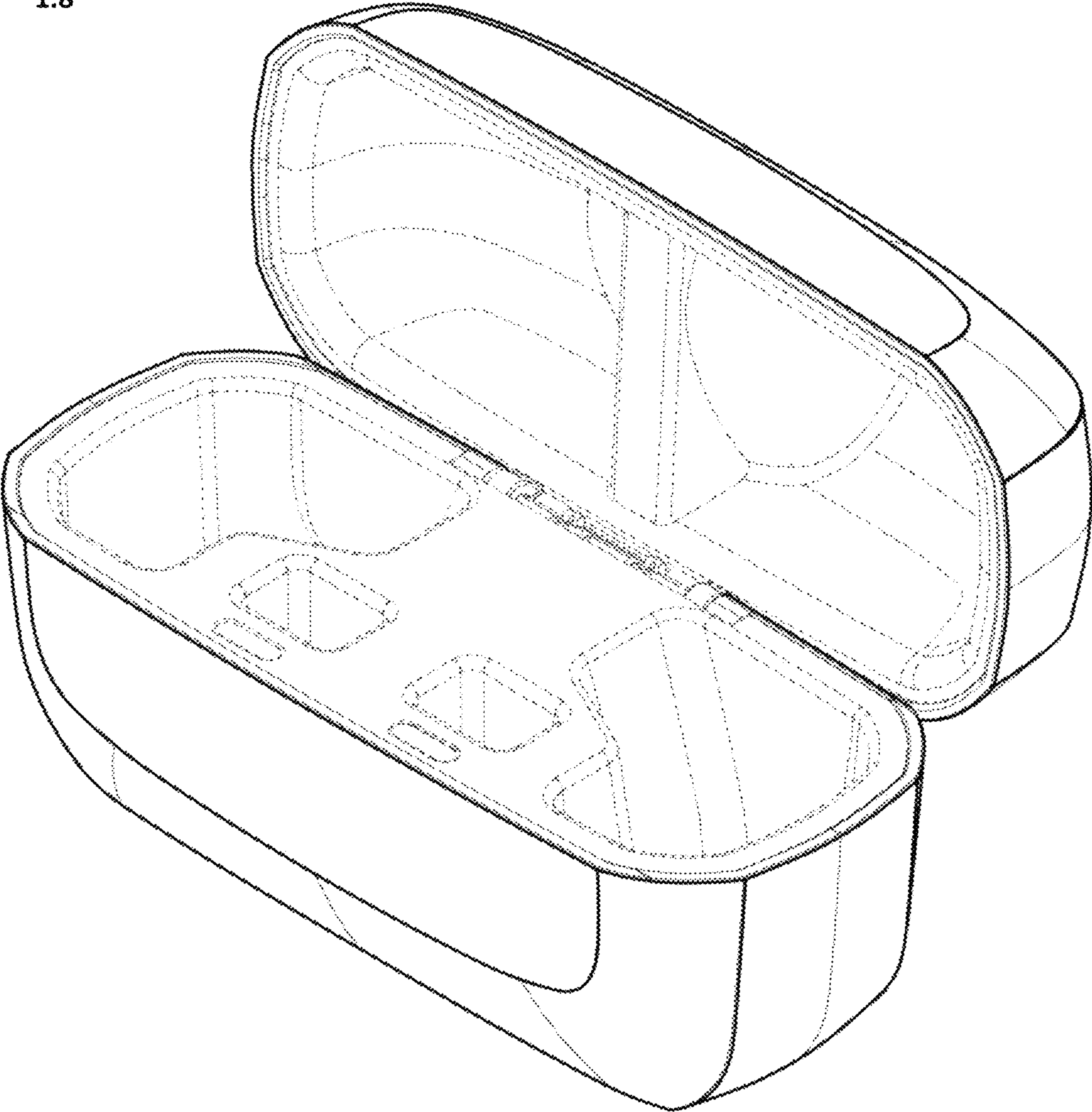
1.6



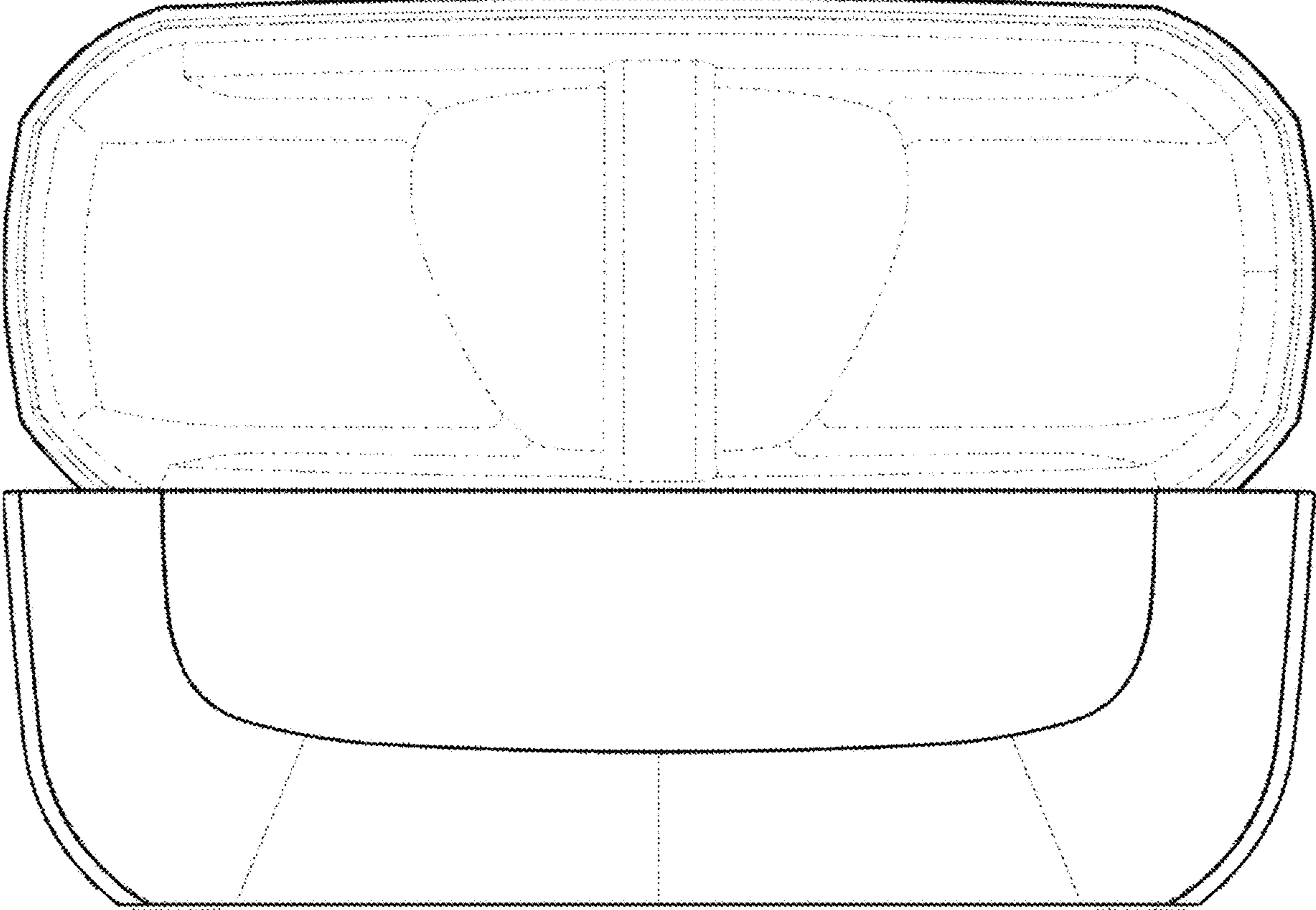
1.7



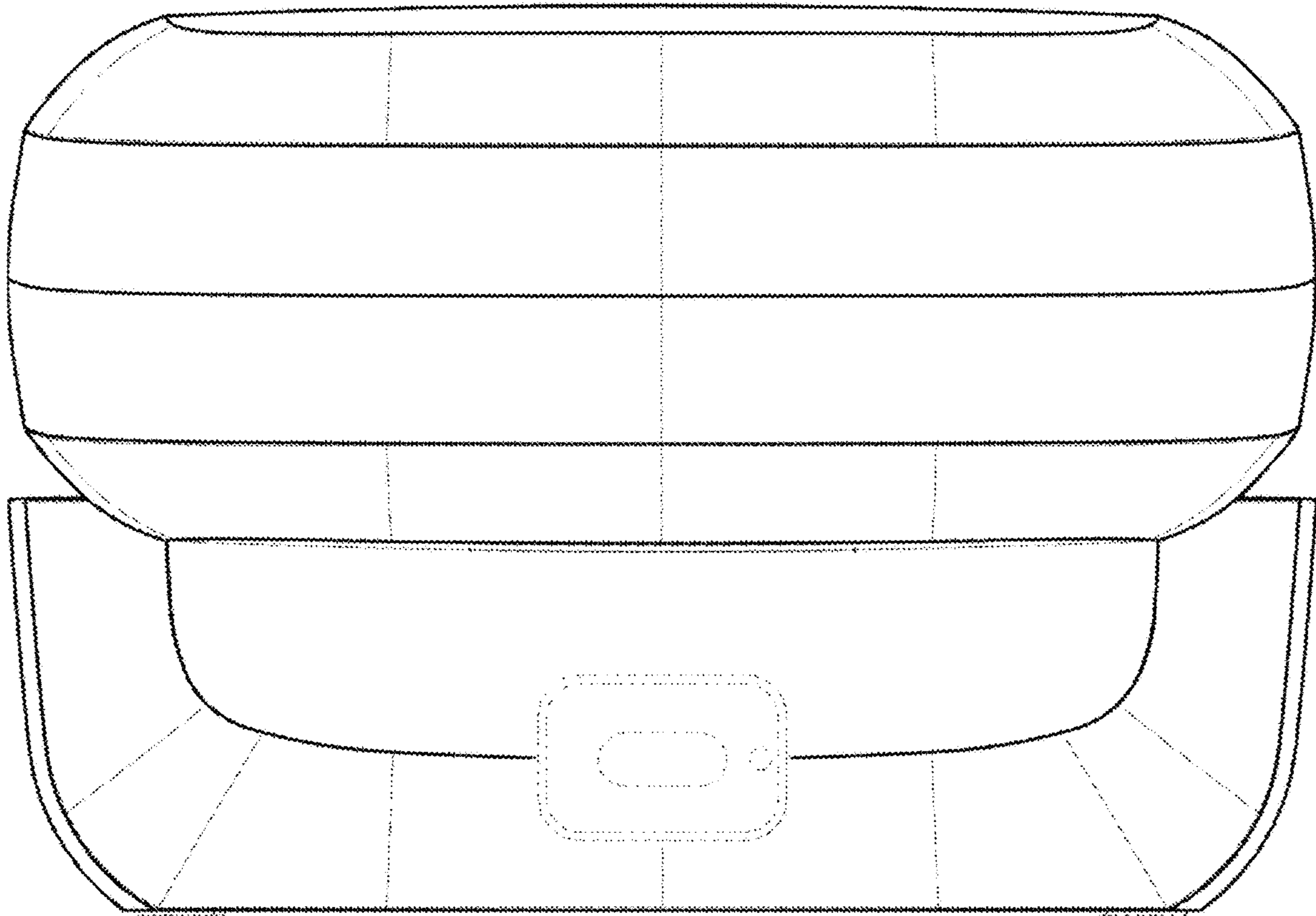
1.8



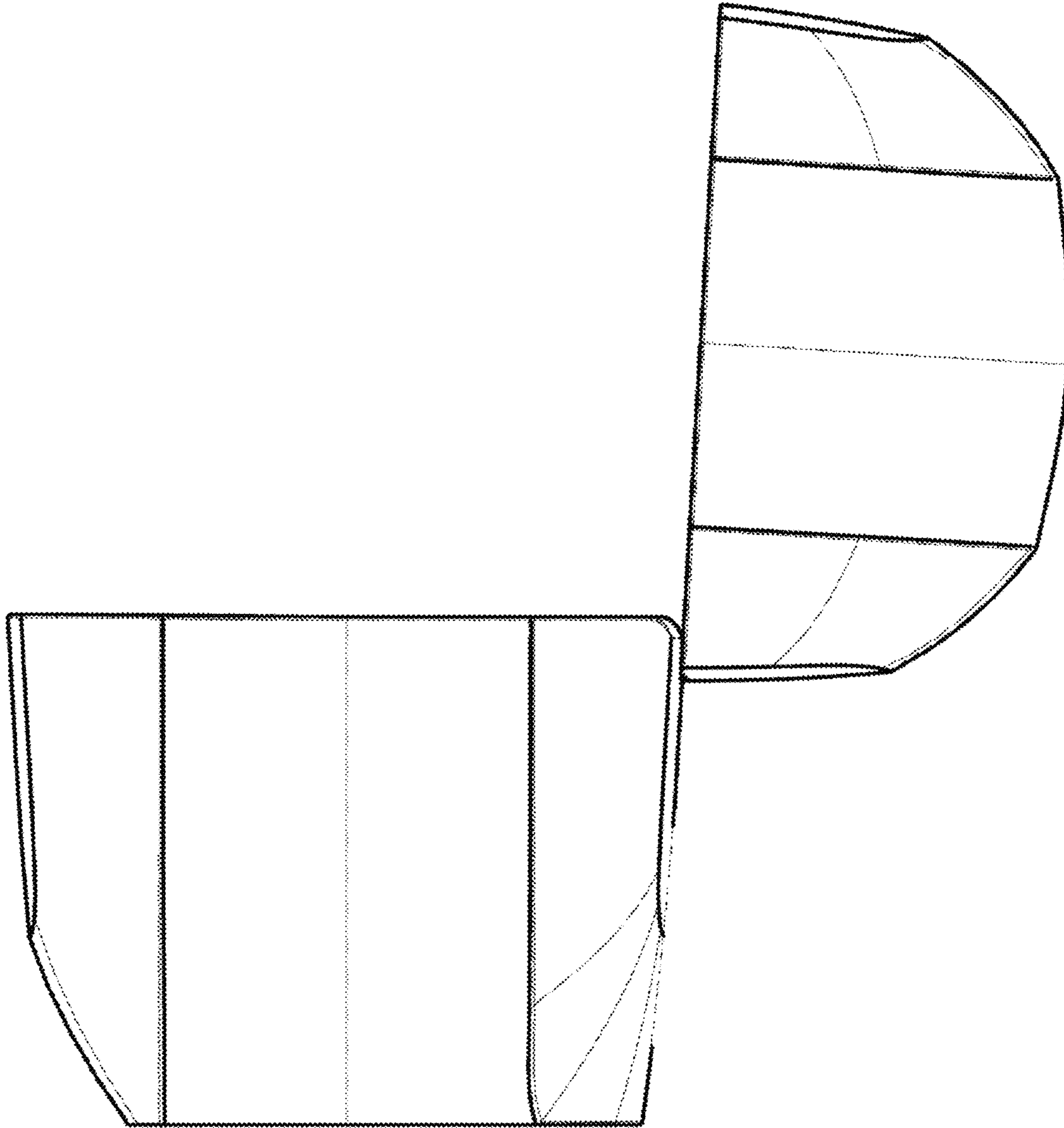
1.9



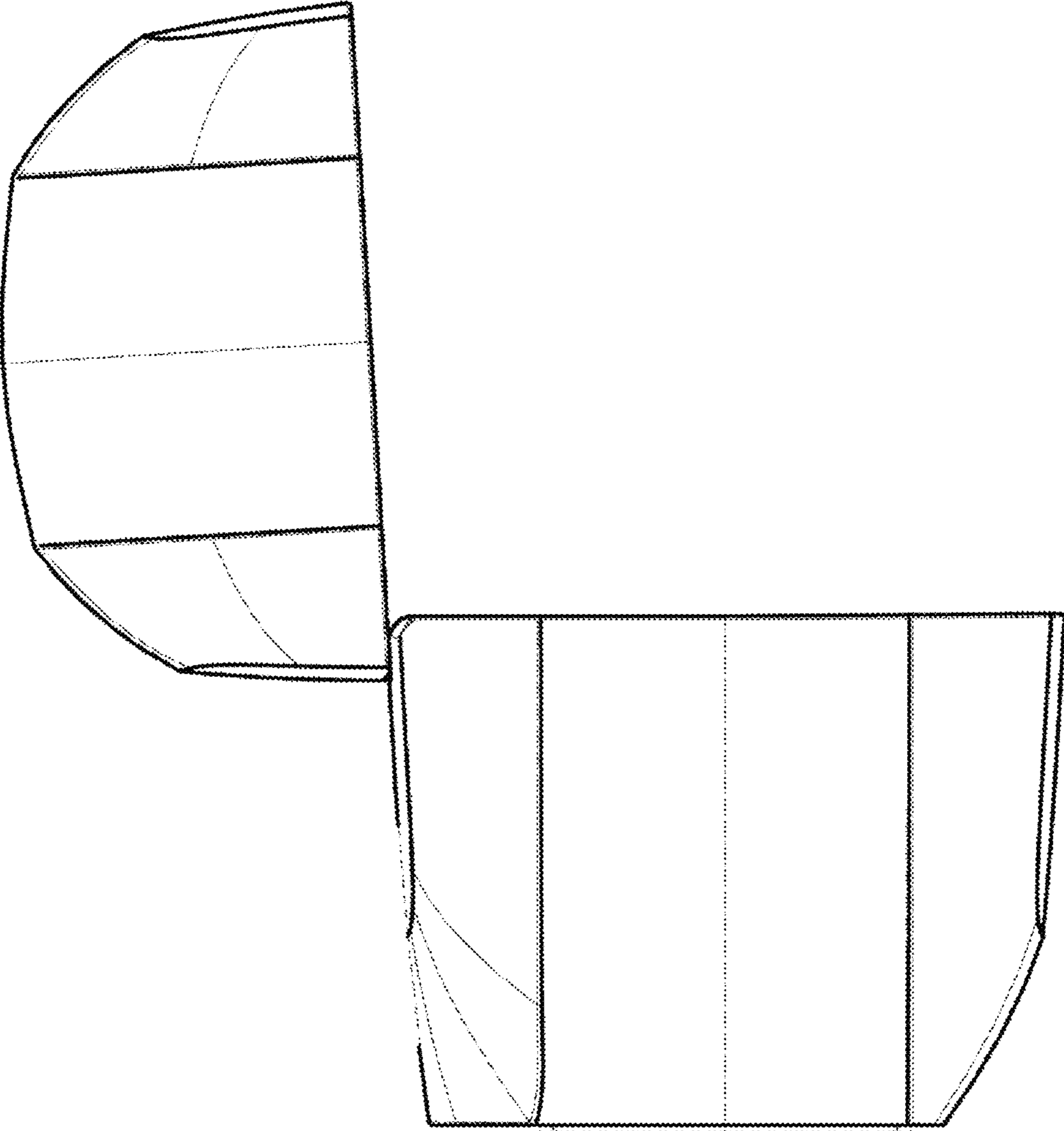
1.10



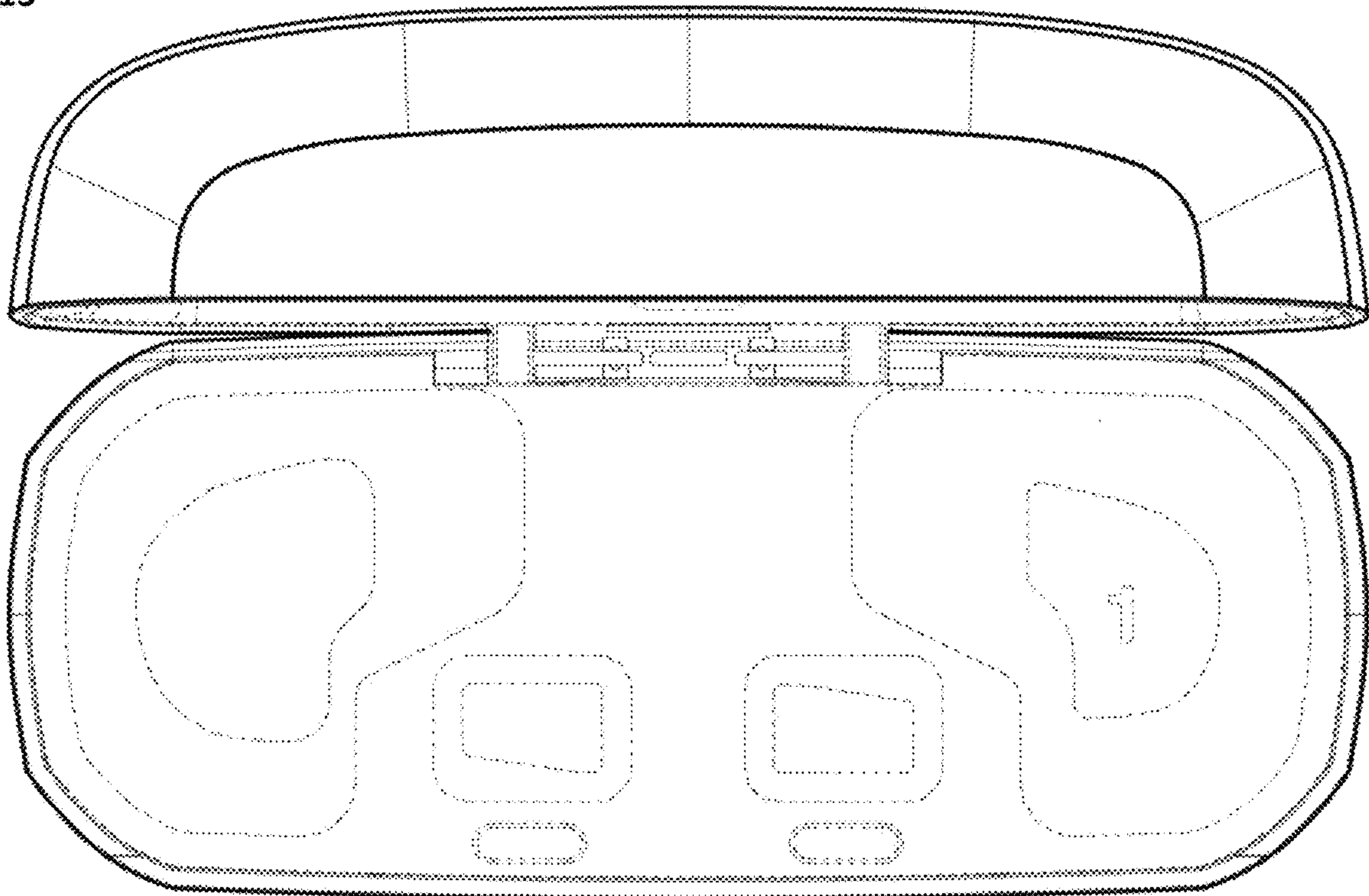
1.11



1.12



1.13



1.14

