



US00D947774S

(12) **United States Design Patent**
Zhang

(10) **Patent No.:** **US D947,774 S**

(45) **Date of Patent:** **** Apr. 5, 2022**

(54) **COMBINED EARPHONES AND CHARGER**

(71) Applicant: **Chongcheng Zhang**, Guangdong (CN)

(72) Inventor: **Chongcheng Zhang**, Guangdong (CN)

(73) Assignee: **SHENZHEN YINZHUN TECHNOLOGY CO., LTD.**, Shenzhen (CN)

(**) Term: **15 Years**

(21) Appl. No.: **29/767,991**

(22) Filed: **Jan. 27, 2021**

(51) **LOC (13) Cl.** **13-02**

(52) **U.S. Cl.**
USPC **D13/108; D14/205**

(58) **Field of Classification Search**
USPC D13/107–110, 118–119, 184, 199;
D14/251, 253, 432, 434, 223, 205;
D24/174; D3/208, 218, 273, 274, 294
CPC H02J 7/025; H02J 7/005; H02J 7/0026;
H02J 7/0042; H02J 7/0044; H02J 7/0045;
H02J 7/0013; H02J 7/0003; H02J 7/02;
H02J 50/10; H02J 50/12; A45C
2011/001; A45C 2011/002; A45C
2011/003; H04R 1/1025; H04R 1/1016
See application file for complete search history.

(56) **References Cited**

U.S. PATENT DOCUMENTS

D561,470 S *	2/2008	Jalet	D3/294
D620,256 S *	7/2010	Fujimura	D3/294
D816,994 S *	5/2018	Fischer	D3/294
D832,264 S *	10/2018	Kim	D14/434
D851,035 S *	6/2019	Hong	D13/108
D853,116 S *	7/2019	Bergman	D3/294
D865,663 S *	11/2019	Yao	D13/108
D868,752 S *	12/2019	Zhu	D14/223
D879,298 S *	3/2020	Byung	D24/165

D881,810 S *	4/2020	Zhang	D13/108
D889,441 S *	7/2020	Lin	D14/223
D894,122 S *	8/2020	Ye	D13/108
D897,322 S *	9/2020	Wei	D14/223
D897,997 S	10/2020	Zhang		

(Continued)

Primary Examiner — Rosemary K Tarcza

(57) **CLAIM**

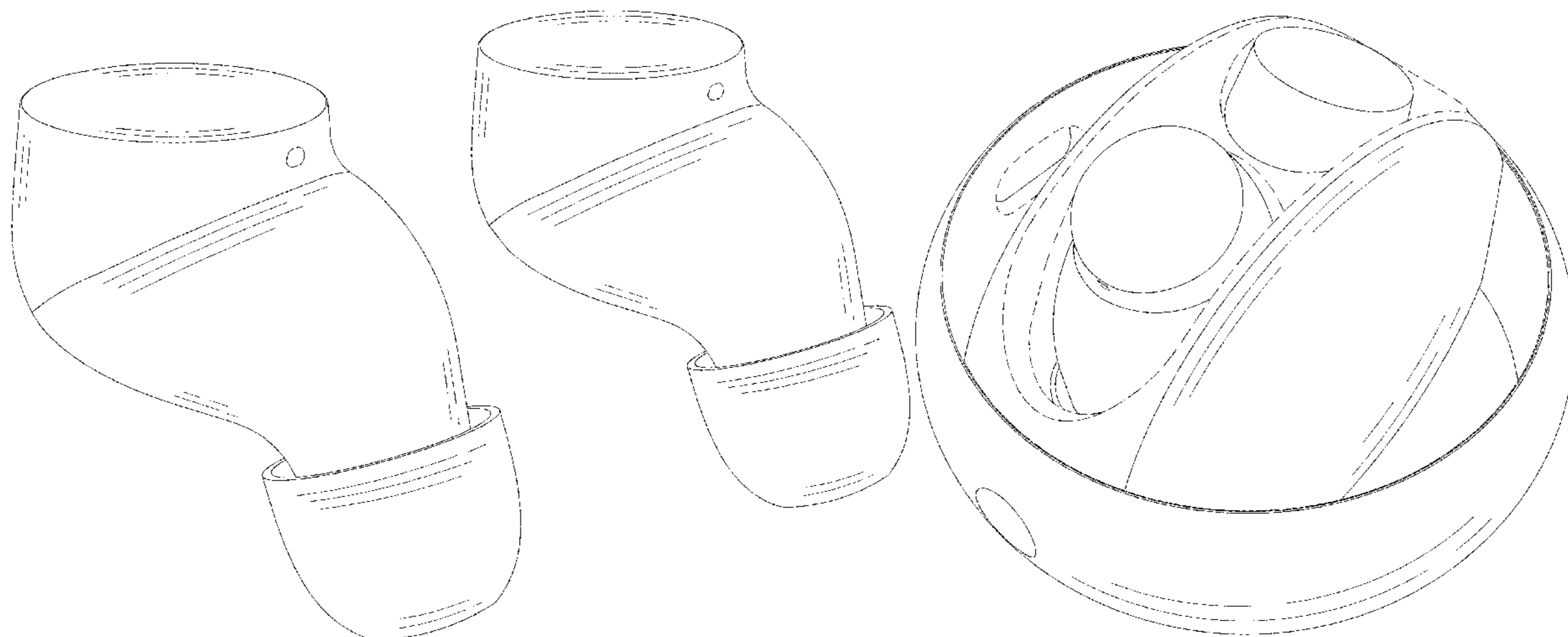
The ornamental design for a combined earphones and charger, as shown and described.

DESCRIPTION

FIG. 1 is a perspective view of earphones, of the combined earphones and charger, shown separately in order to disclose aspects of the design that are not visible when combined; FIG. 2 is another perspective view thereof; FIG. 3 is a front elevation view thereof; FIG. 4 is a rear elevation view thereof; FIG. 5 is a left side elevation view thereof; FIG. 6 is a right side elevation view thereof; FIG. 7 is a top plan view thereof; FIG. 8 is a bottom plan view thereof; FIG. 9 is a perspective view of a charger, of the combined earphones and charger, shown separately in order to disclose aspects of the design that are not visible when combined; FIG. 10 is a front elevation view thereof; FIG. 11 is a rear elevation view thereof; FIG. 12 is a left side elevation view thereof; FIG. 13 is a right side elevation view thereof; FIG. 14 is a top plan view thereof; FIG. 15 is a bottom plan view thereof; and, FIG. 16 is a perspective view of the combined earphones and charger where the earphones are received in the open charger.

The broken lines in the drawings illustrate portions of the combined earphones and charger that form no part of the claimed design.

1 Claim, 14 Drawing Sheets



(56)

References Cited

U.S. PATENT DOCUMENTS

D897,999	S	*	10/2020	Li	D14/223
D899,089	S	*	10/2020	Yu	D3/297
D906,292	S	*	12/2020	Wang	D14/223
D906,299	S		12/2020	Luo		
D909,753	S	*	2/2021	Lalvani	D3/295
D909,995	S	*	2/2021	Cai	D14/223
D911,945	S	*	3/2021	Xian	D13/108
D912,623	S	*	3/2021	Zhou	D13/108
D913,224	S	*	3/2021	Kim	D13/108
D917,425	S	*	4/2021	Wang	D14/223
D920,288	S	*	5/2021	Vautour	D14/223
D920,958	S	*	6/2021	Ye	D14/223
D921,582	S	*	6/2021	Liu	D13/108
D922,358	S	*	6/2021	Li	D14/223
D923,608	S	*	6/2021	Adams	D14/223
D924,207	S	*	7/2021	Li	D14/223
D928,123	S	*	8/2021	Gao	D14/223
D928,742	S	*	8/2021	Liu	D14/223
D929,322	S	*	8/2021	Liu	D13/108
D929,378	S	*	8/2021	Li	D14/223
D930,617	S	*	9/2021	Tanaka	D14/223
D930,620	S	*	9/2021	Lindenberger	D14/223
D930,622	S	*	9/2021	Lin	D14/223
D931,207	S	*	9/2021	Briggs	D13/108

* cited by examiner

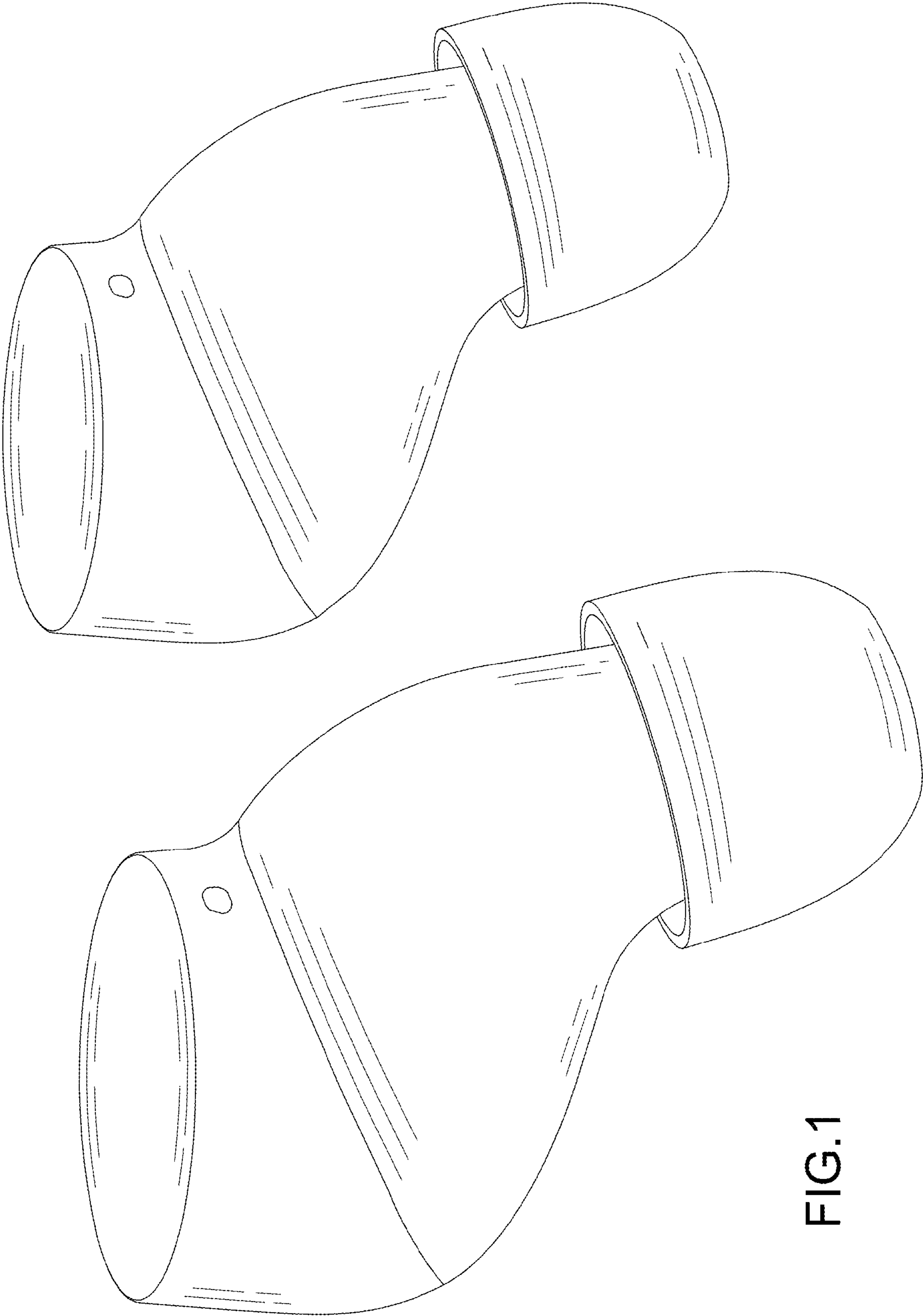


FIG.1

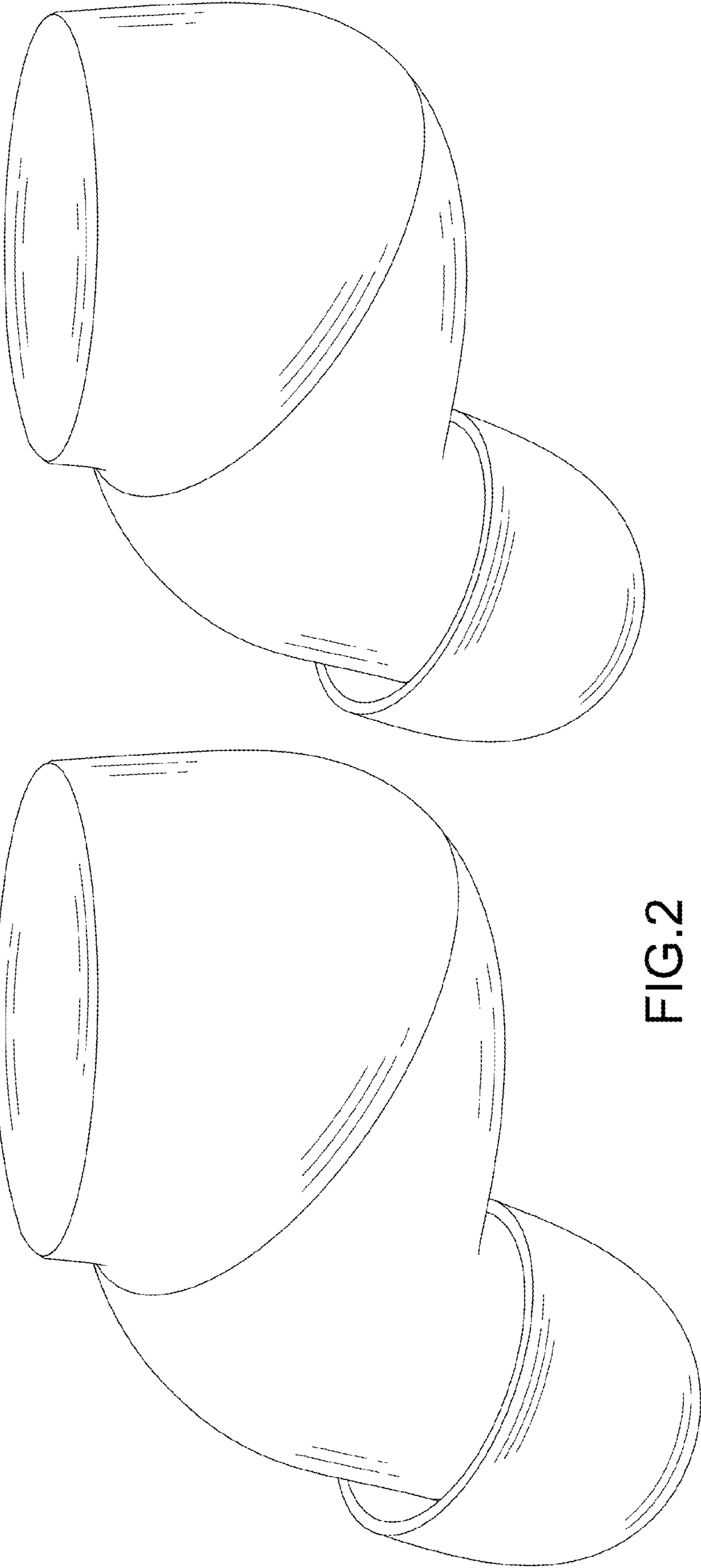


FIG. 2

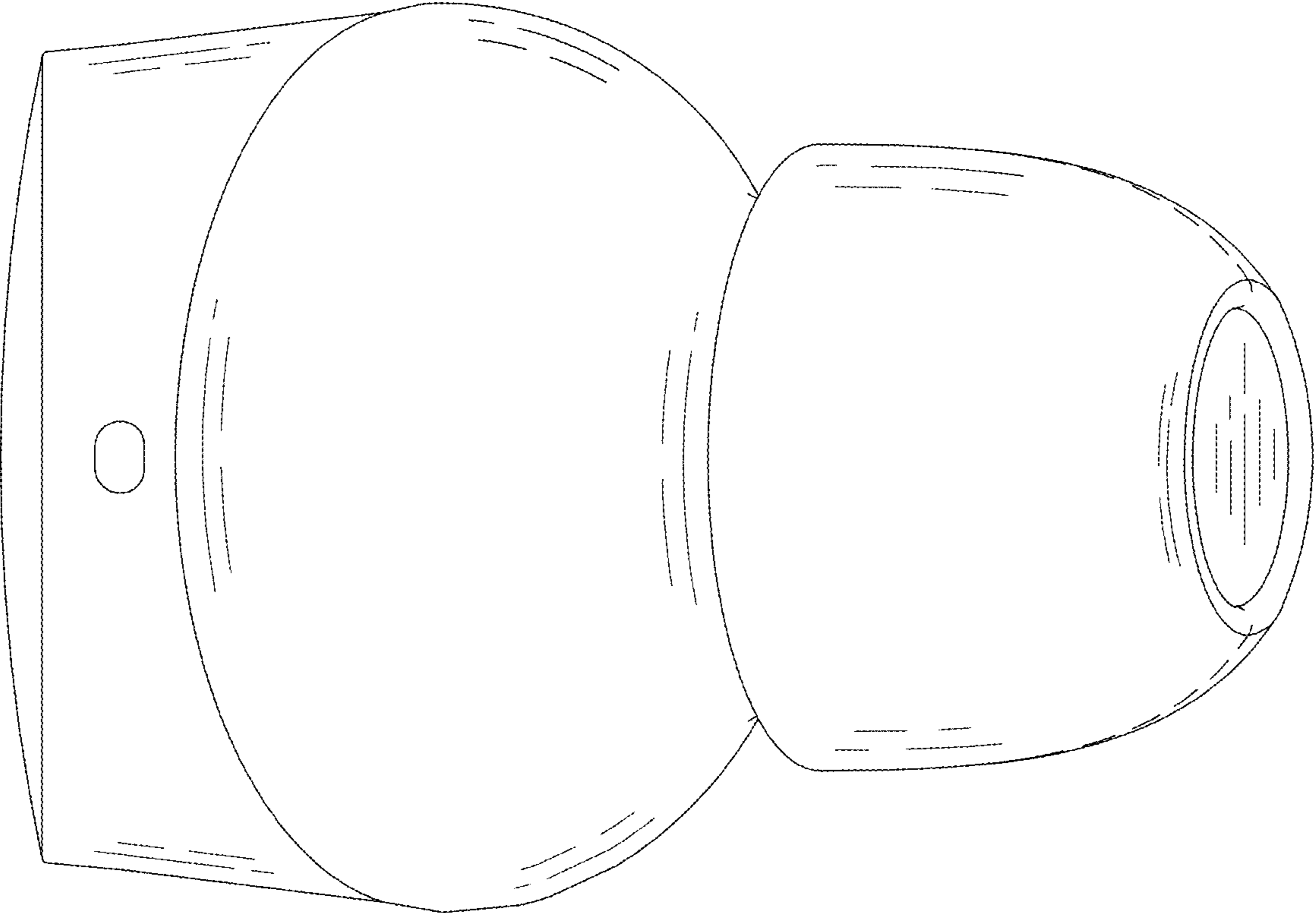
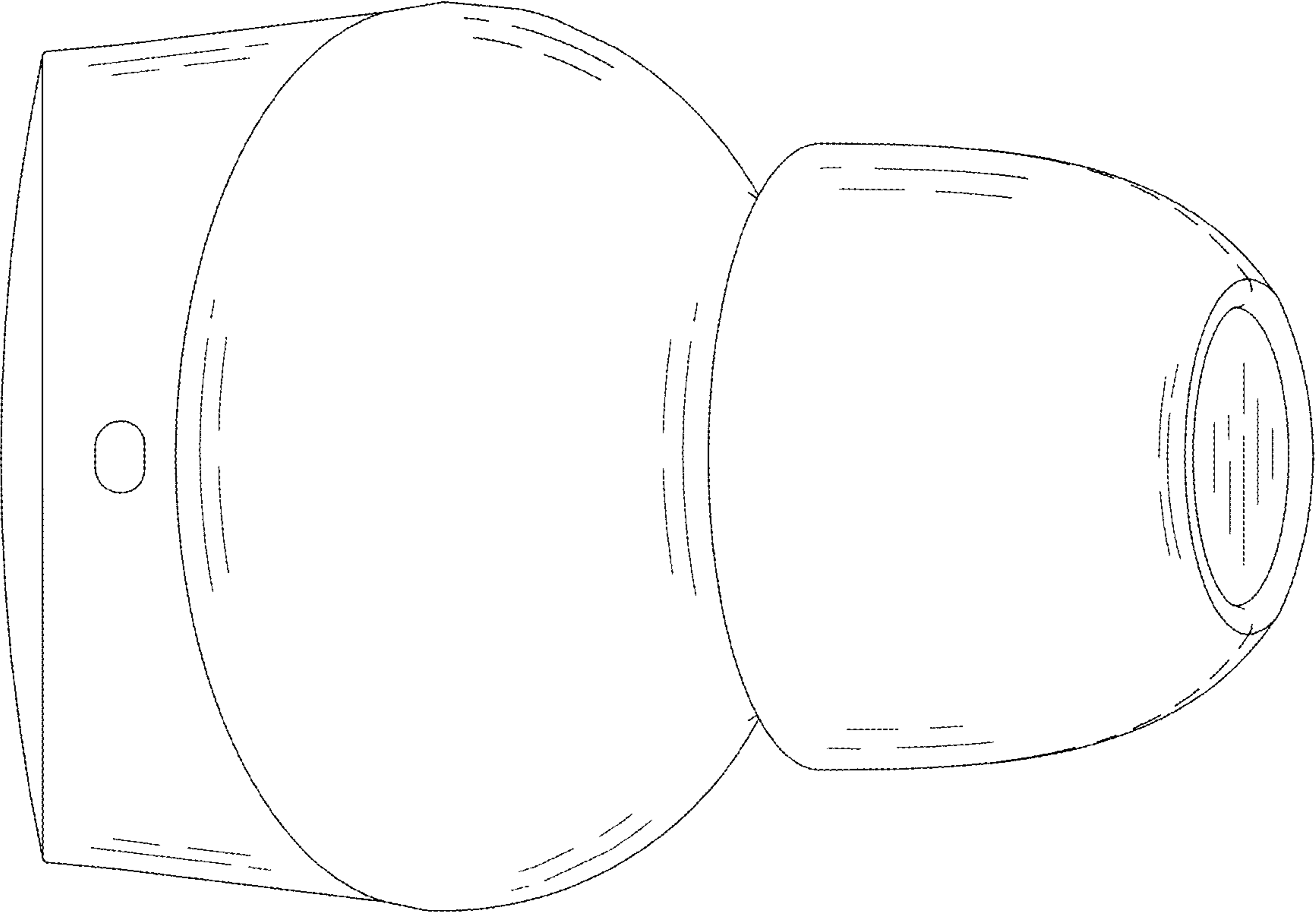


FIG.3

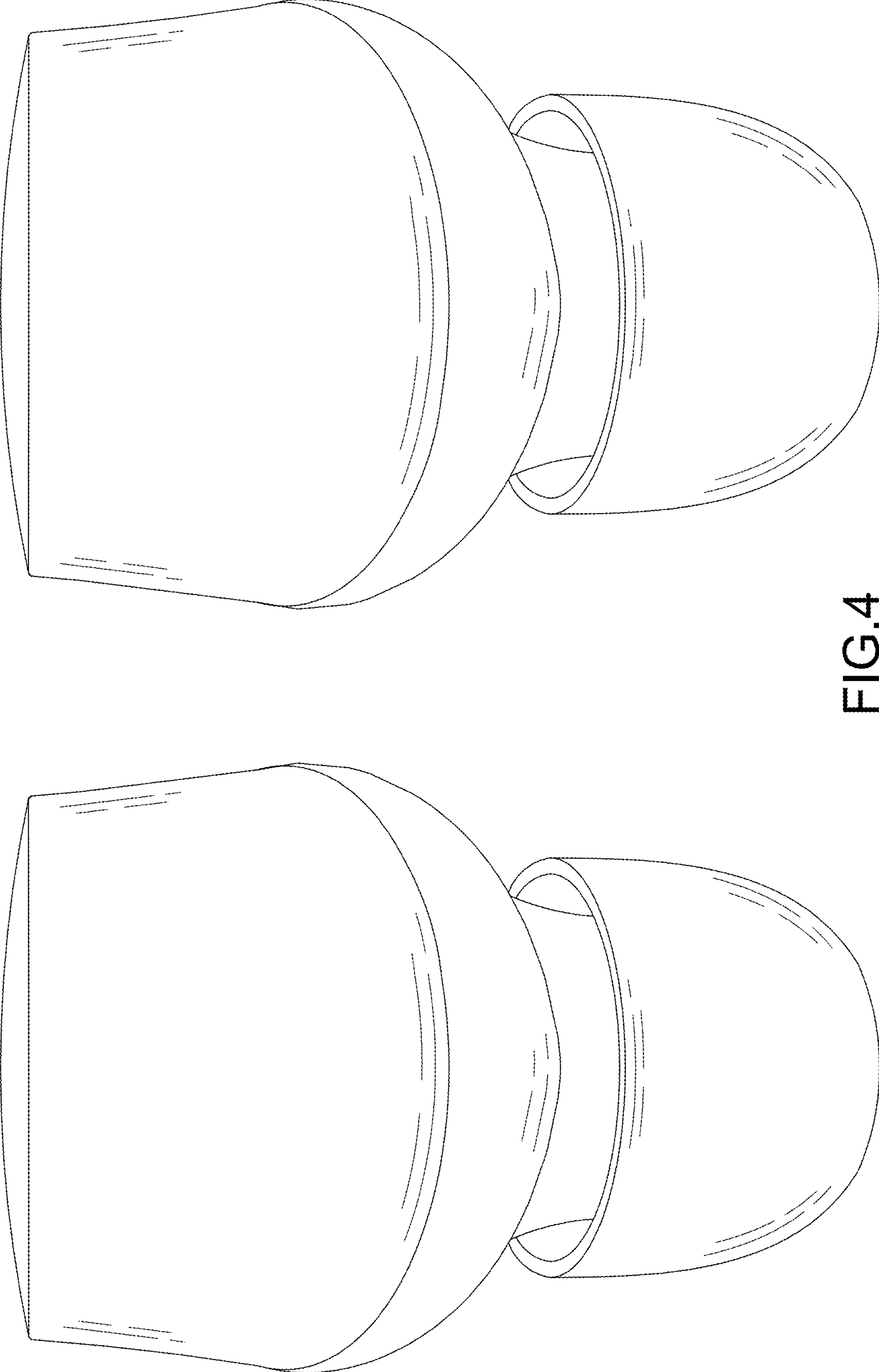


FIG.4

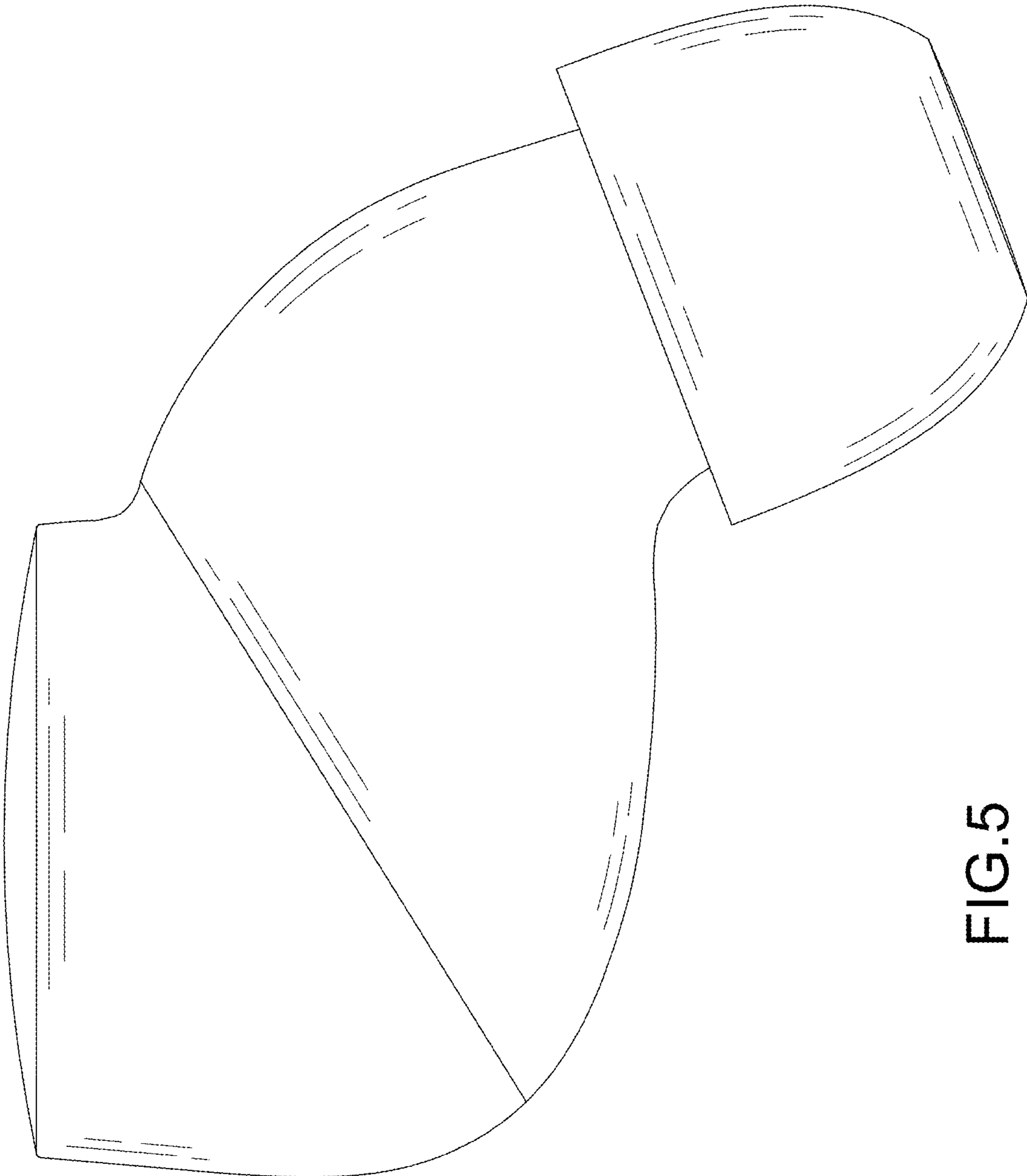


FIG.5

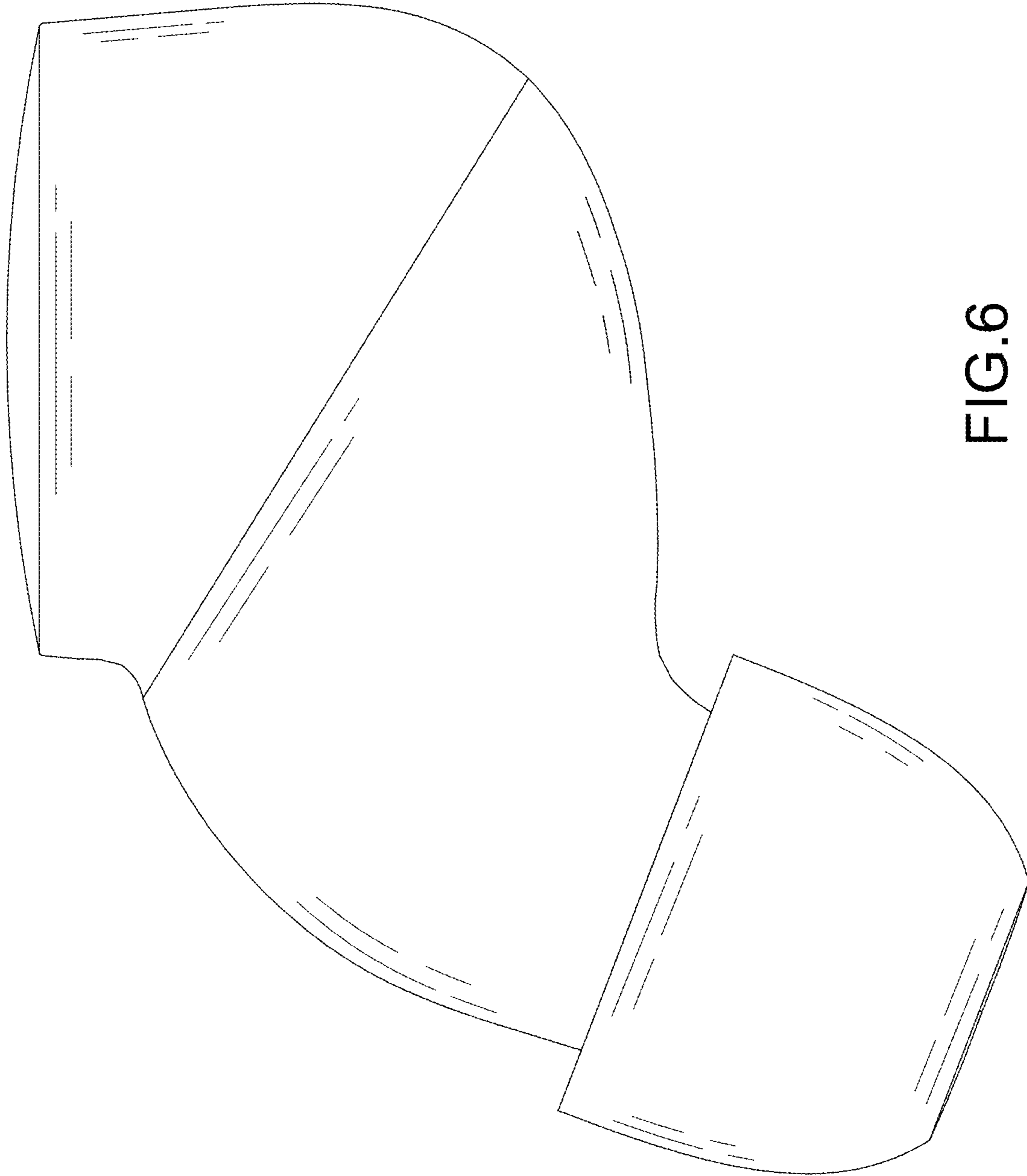


FIG. 6

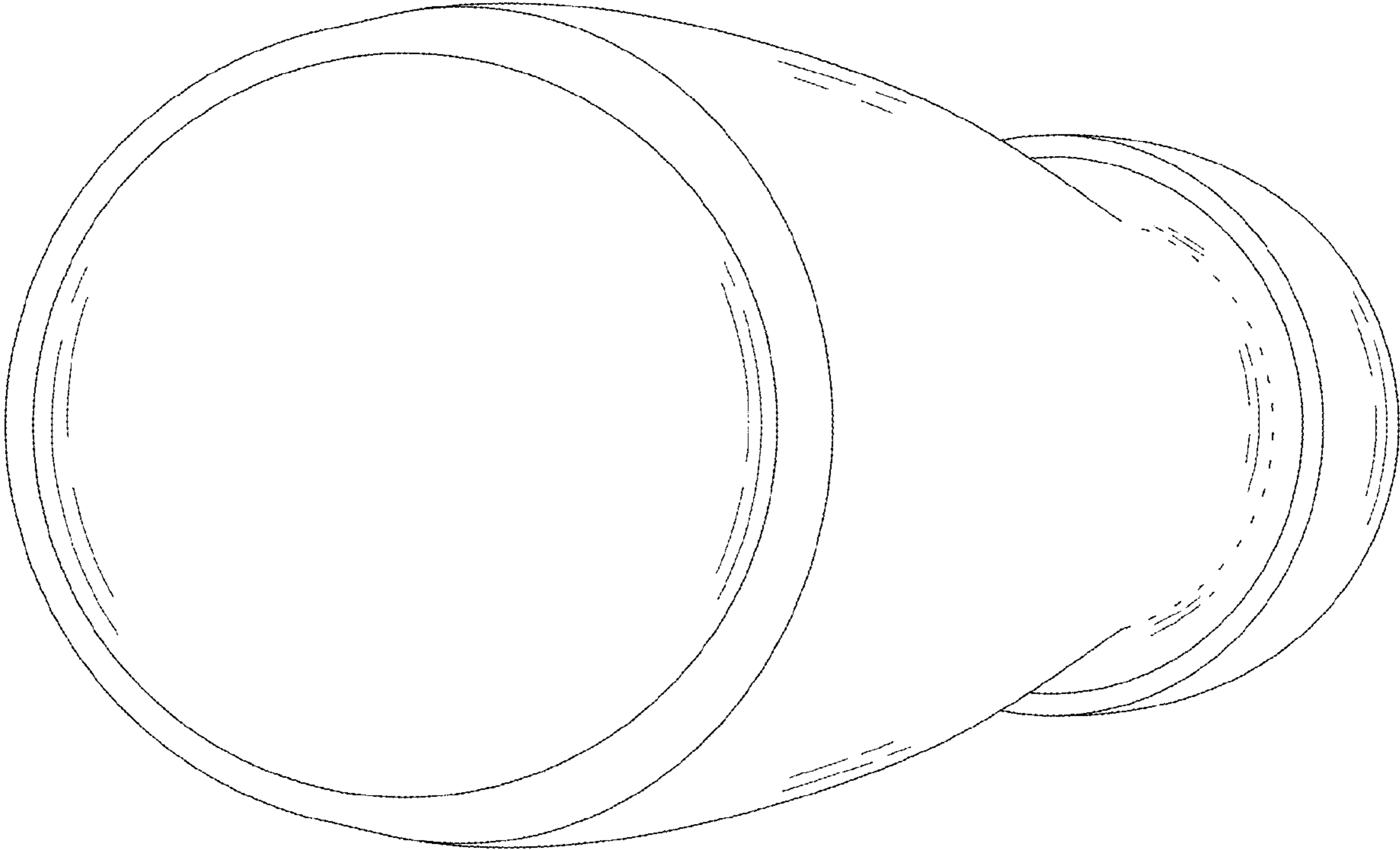
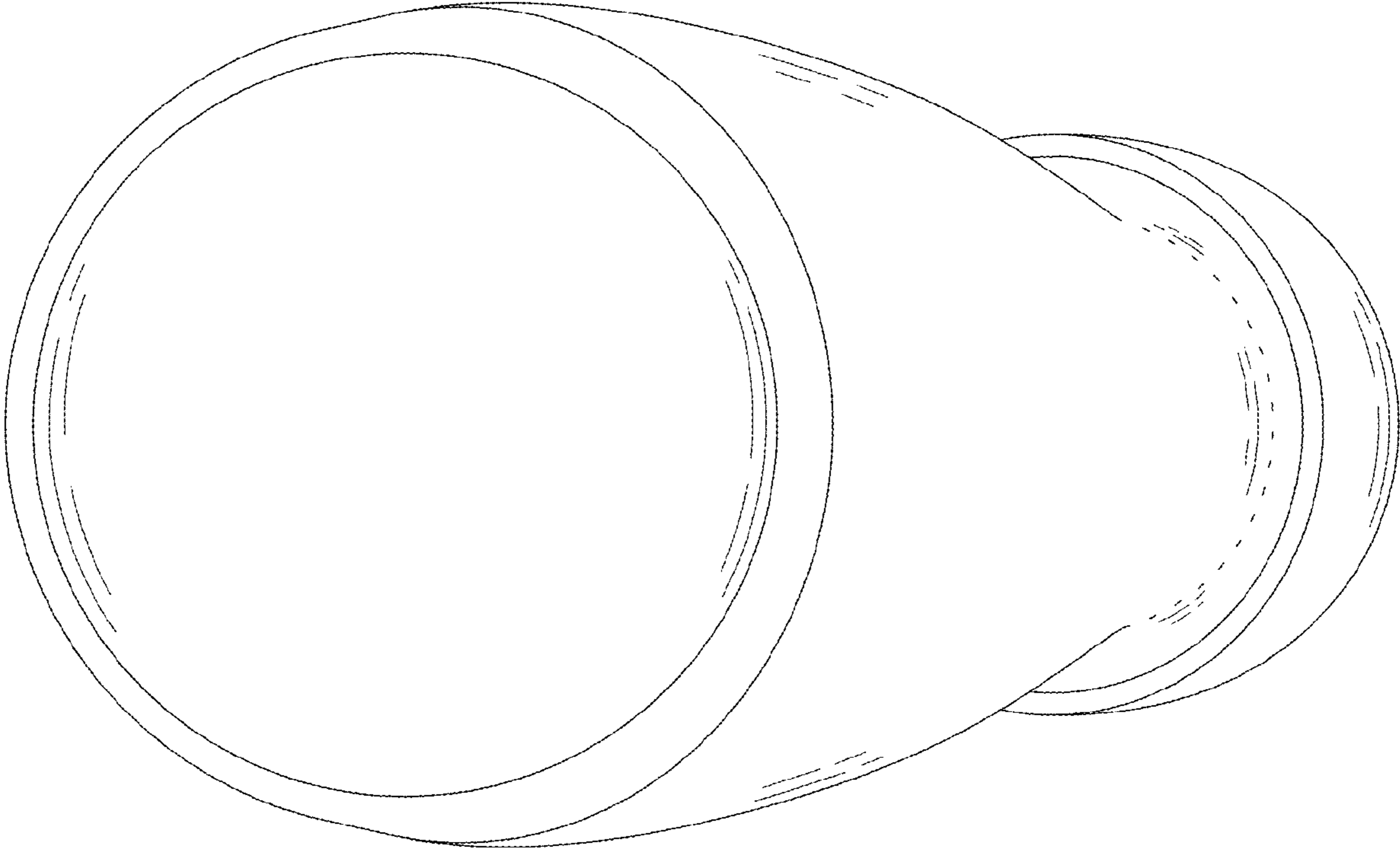


FIG.7

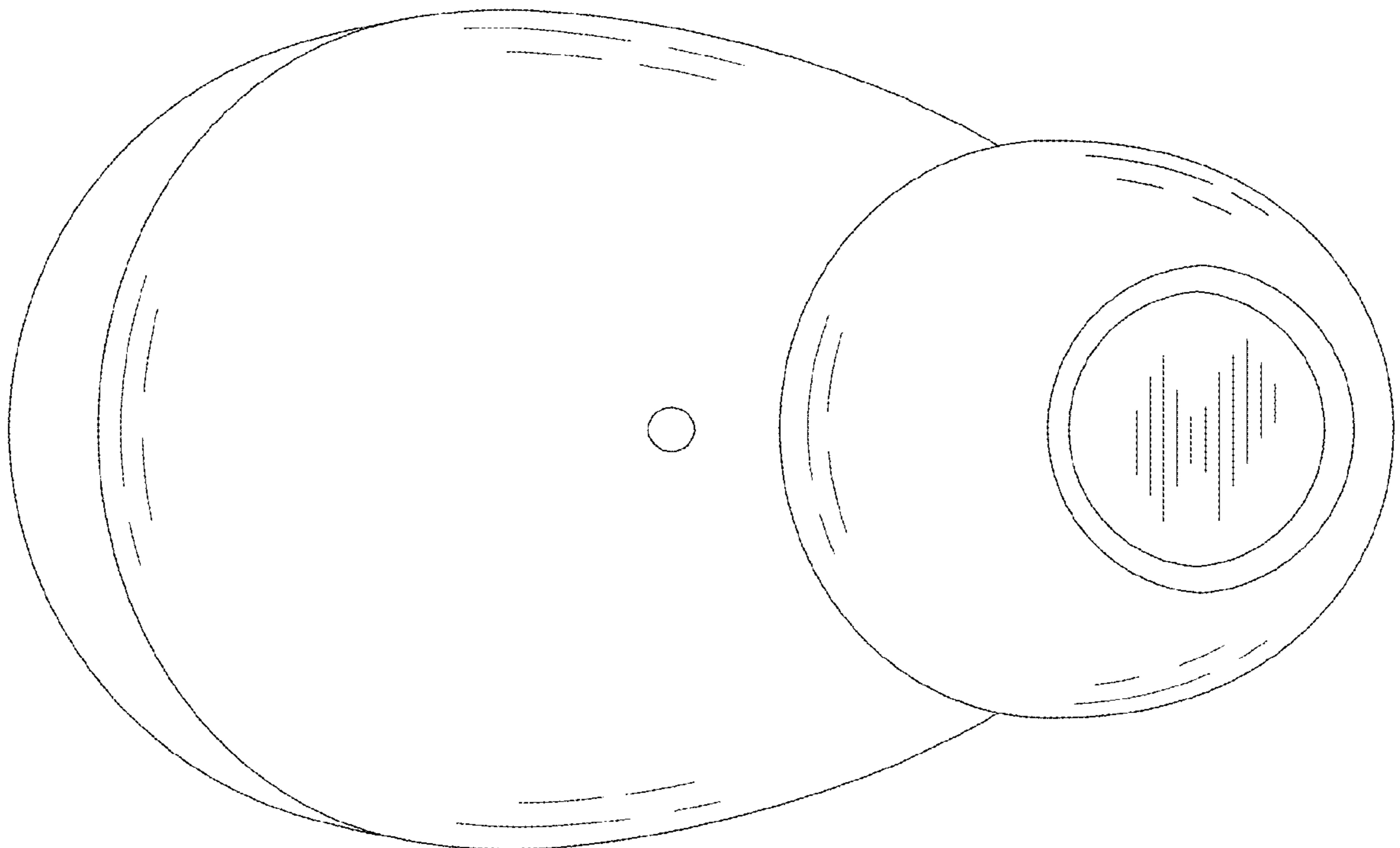
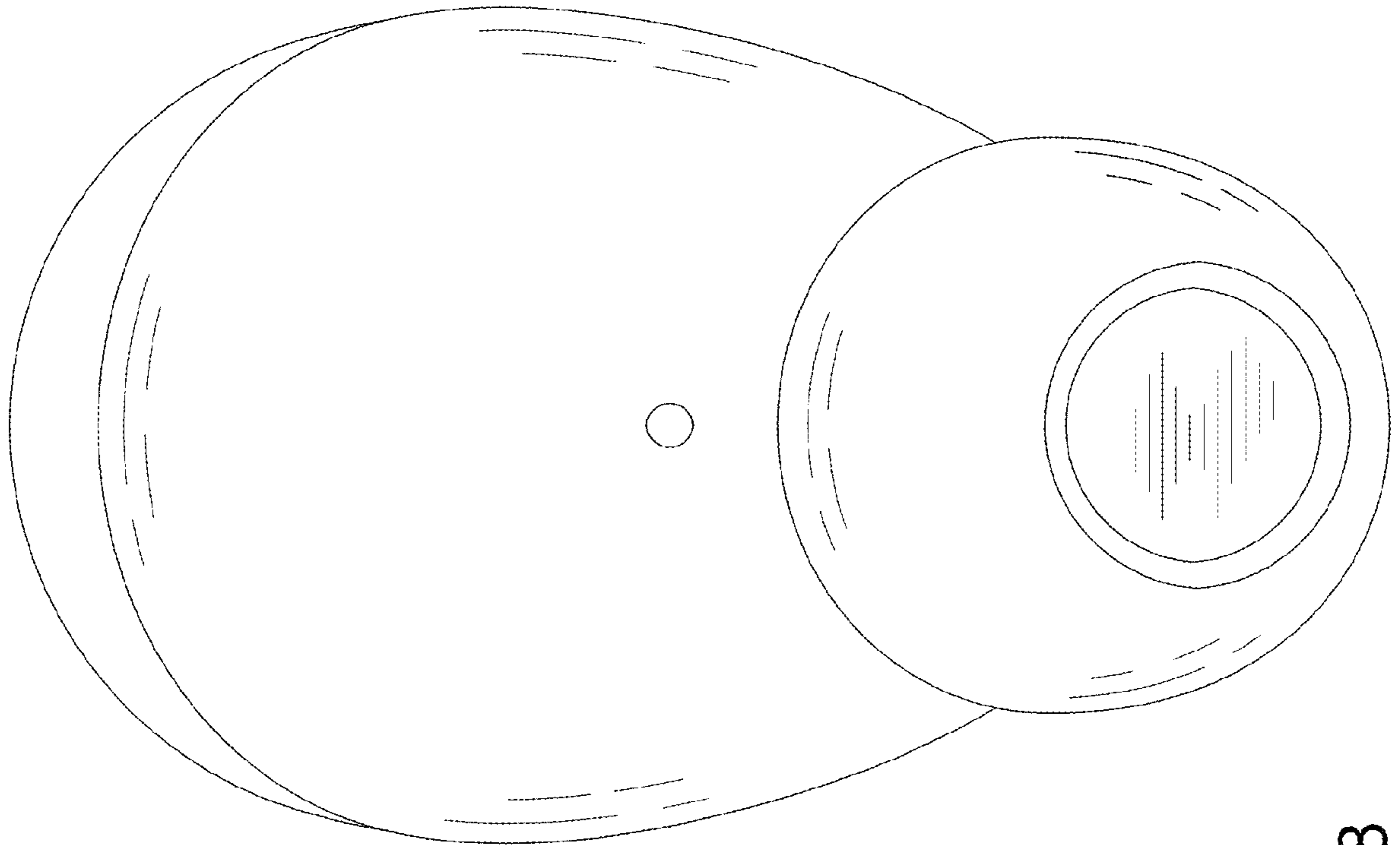


FIG.8

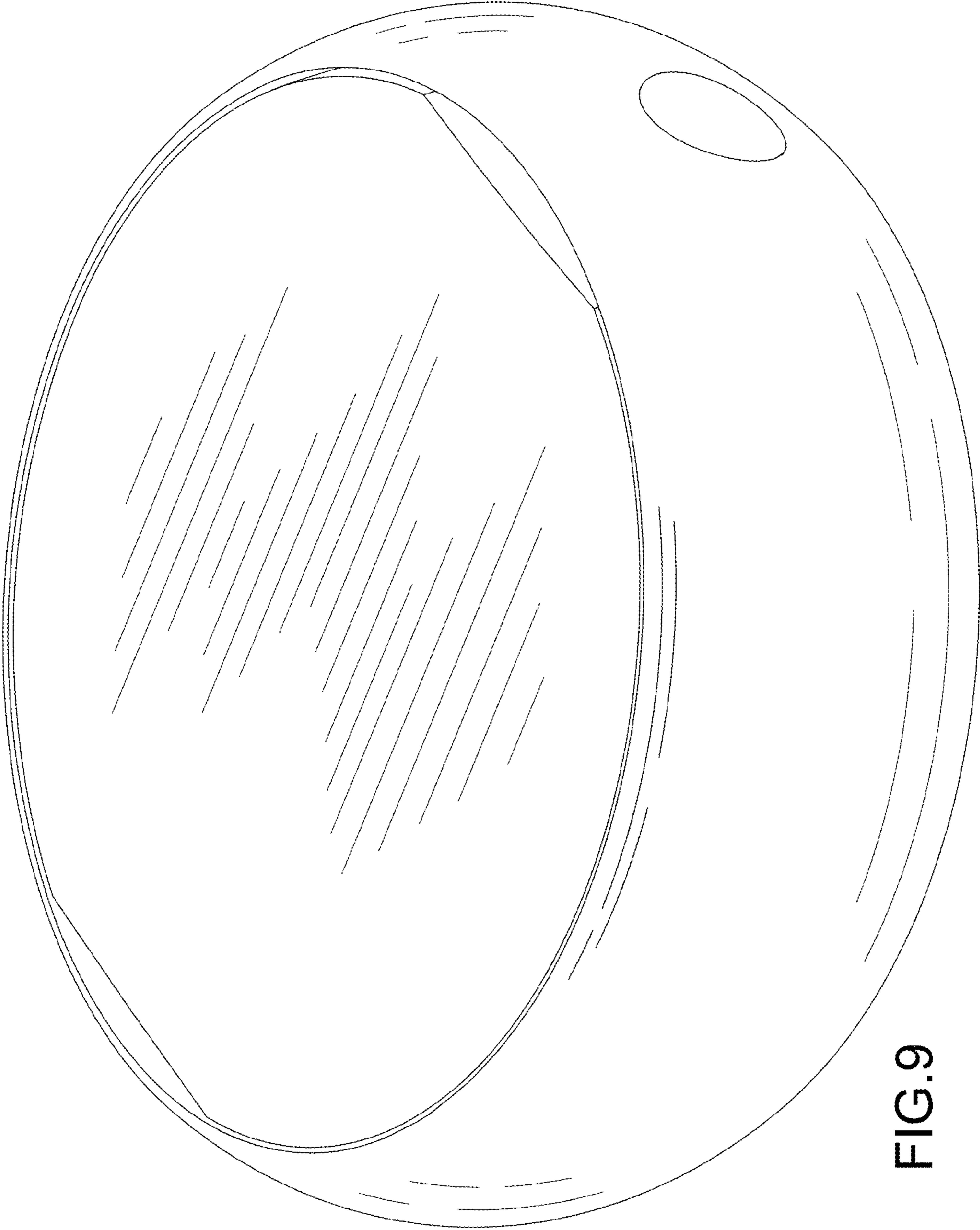


FIG. 9

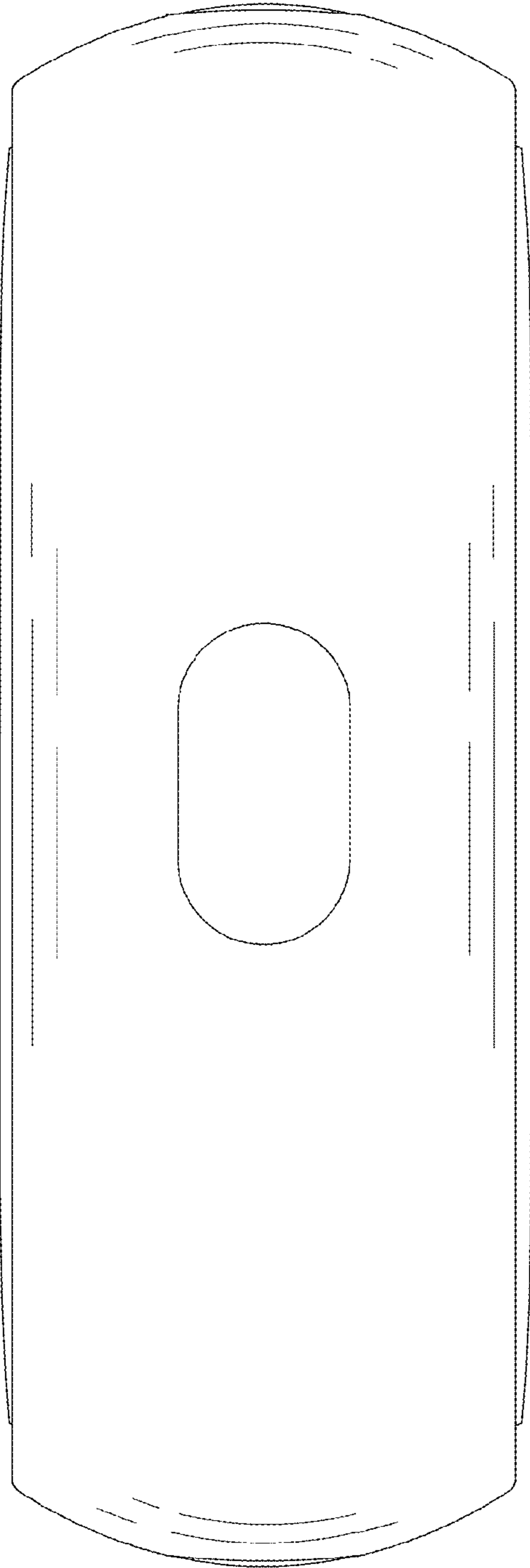


FIG.10

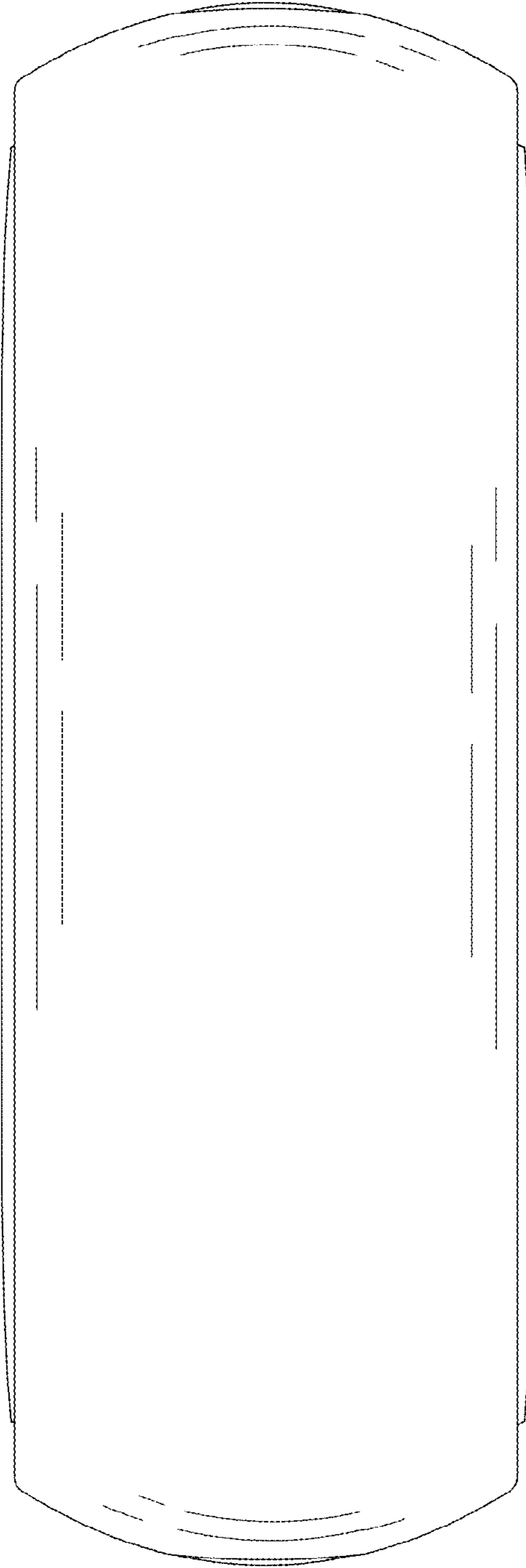


FIG.11

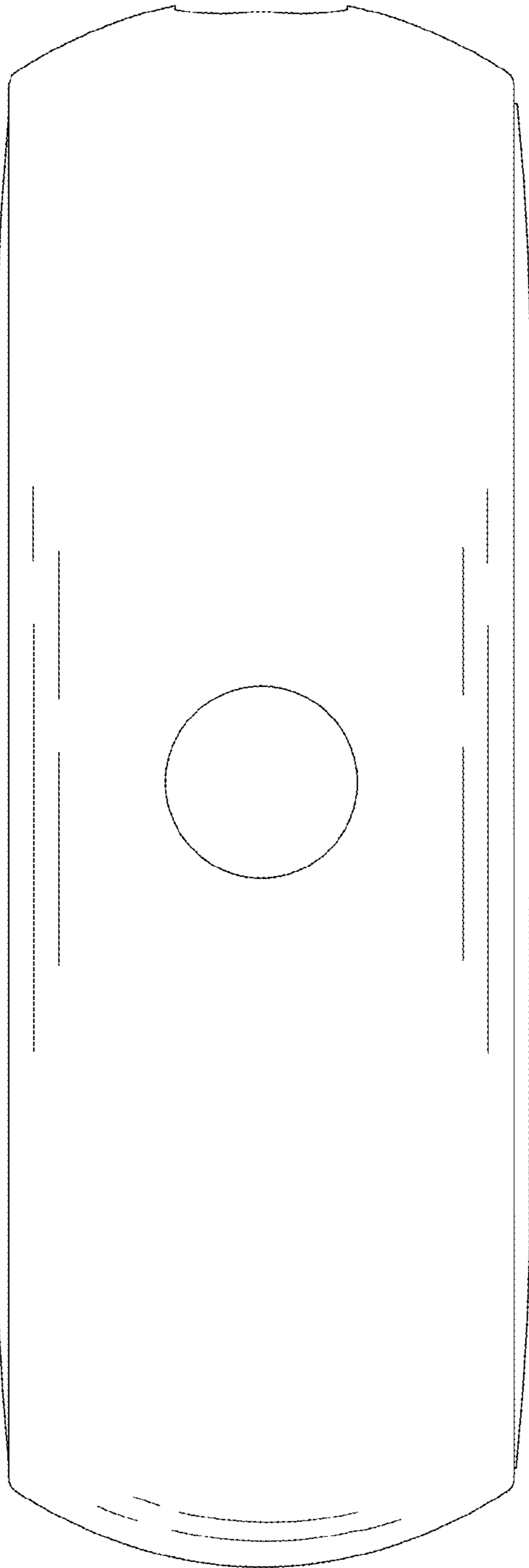


FIG. 12

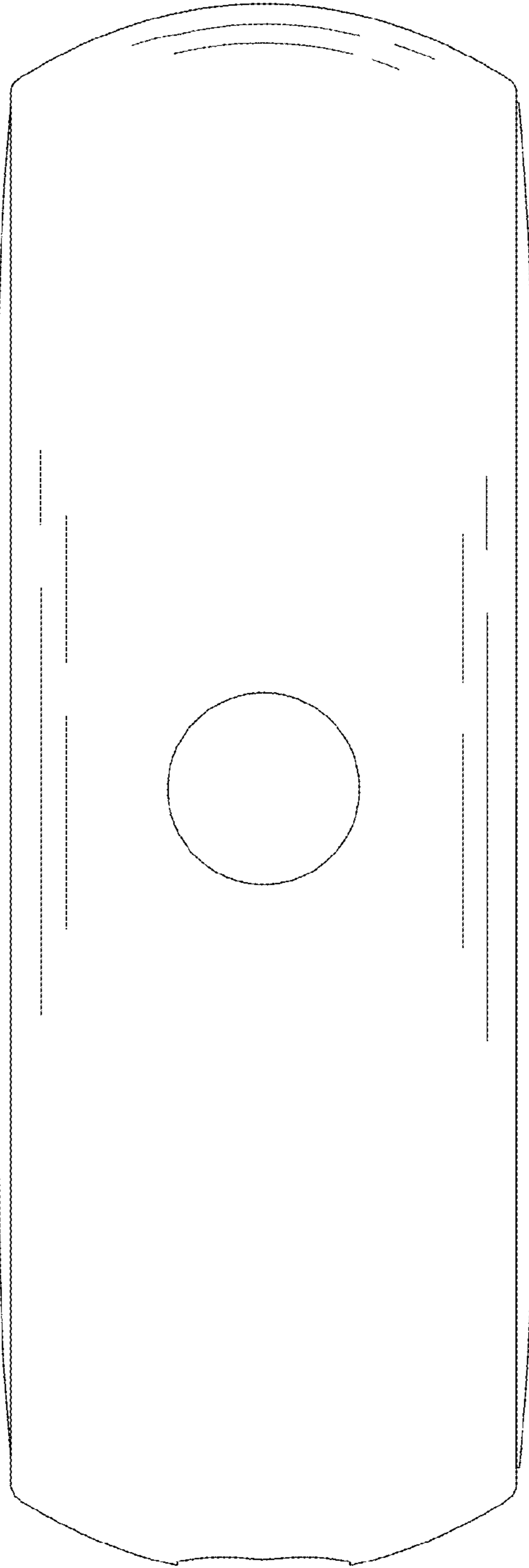


FIG. 13

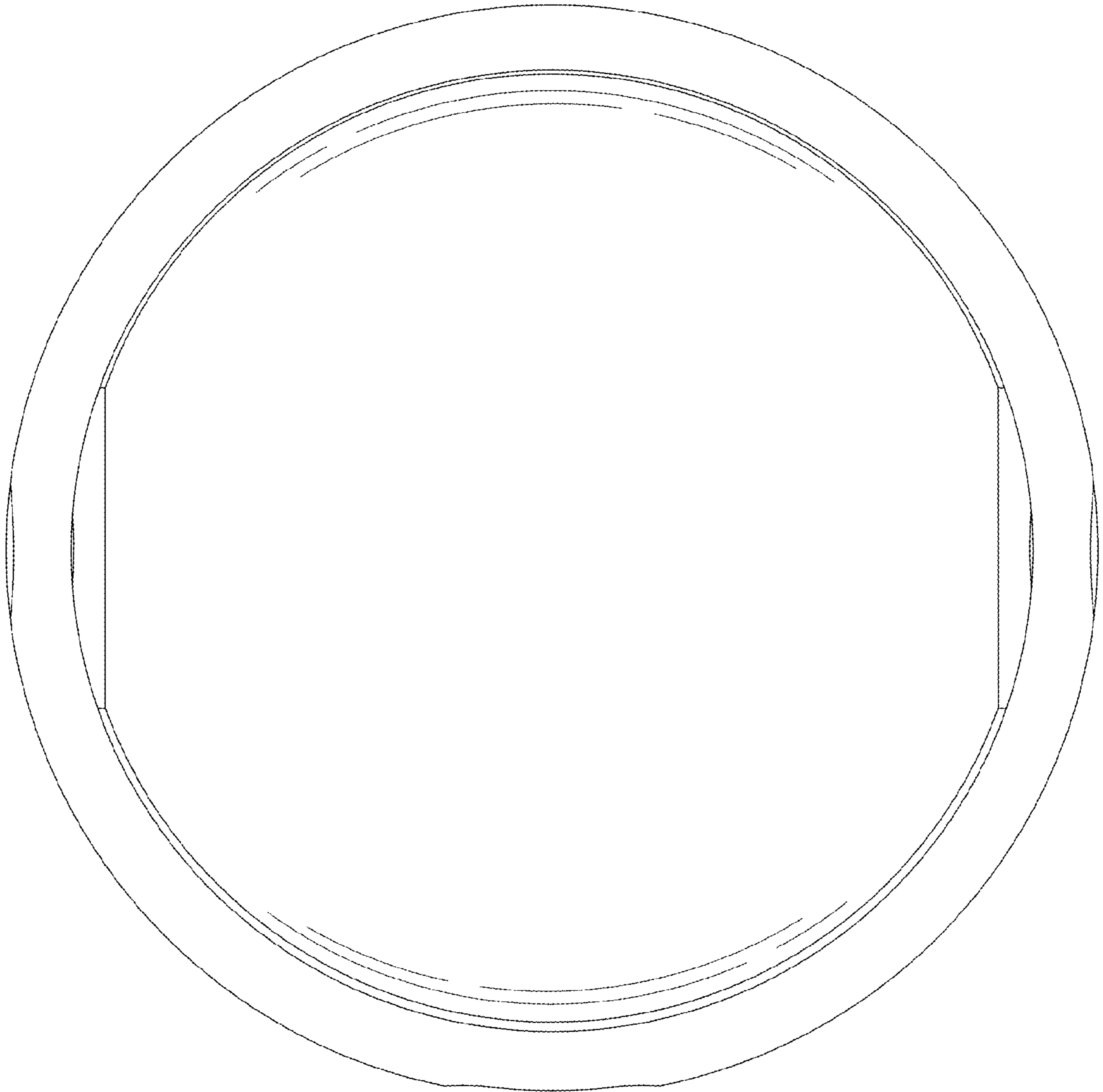


FIG.14

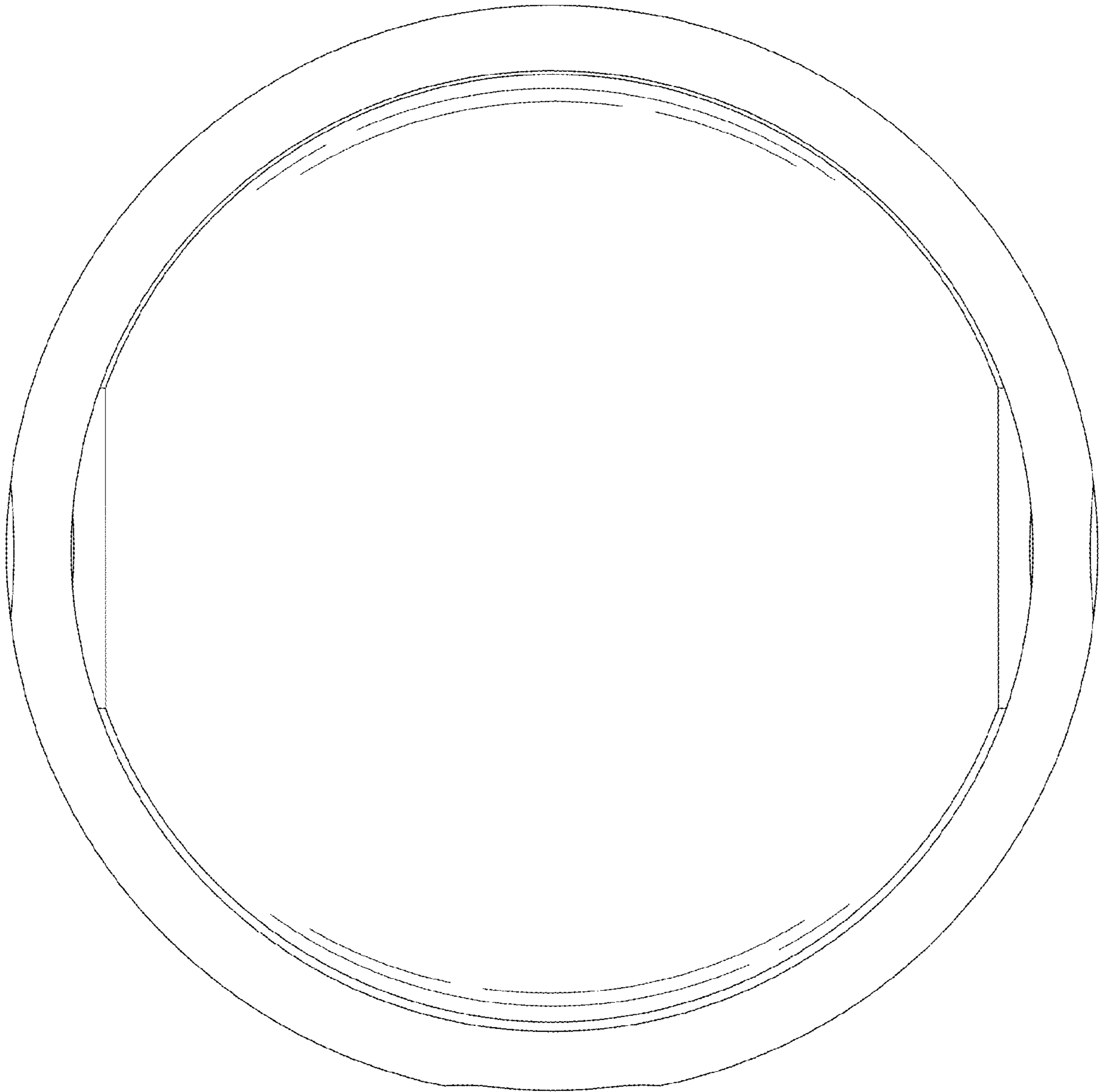


FIG.15

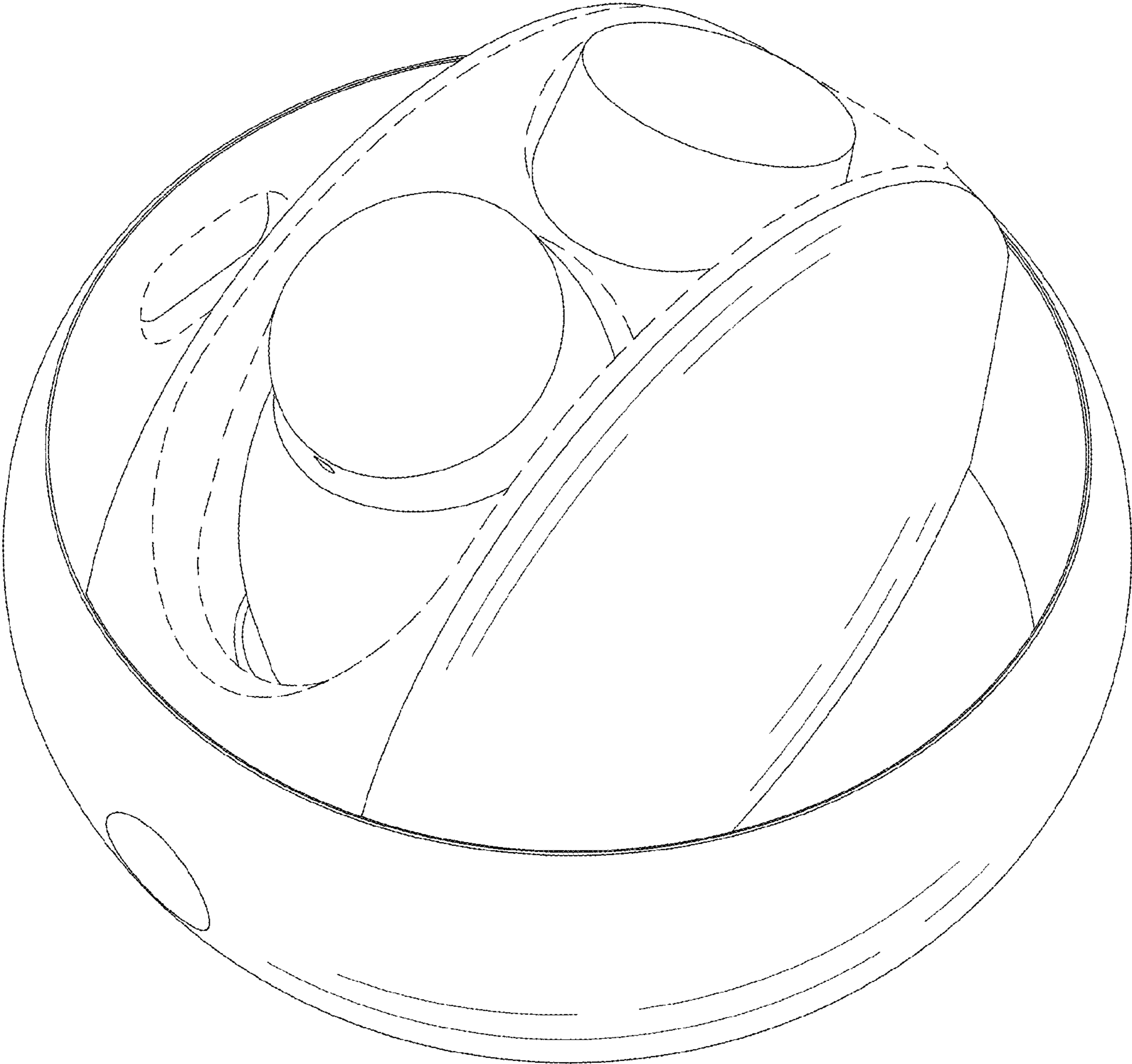


FIG.16