



US00D947772S

(12) **United States Design Patent**
Liao

(10) **Patent No.:** **US D947,772 S**
(45) **Date of Patent:** **** Apr. 5, 2022**

(54) **CHARGING STAND FOR TABLET PC**

(71) Applicant: **Qianhai Junda (Shenzhen) Equity Investment Co., Ltd, Shenzhen (CN)**

(72) Inventor: **Zhuowen Liao, Shenzhen (CN)**

(73) Assignee: **Qianhai Junda (Shenzhen) Equity Investment Co., Ltd., Shenzhen (CN)**

(**) Term: **15 Years**

(21) Appl. No.: **29/753,314**

(22) Filed: **Sep. 30, 2020**

(30) **Foreign Application Priority Data**

Jul. 3, 2020 (CN) 202030353326.9

(51) **LOC (13) Cl.** **13-02**

(52) **U.S. Cl.**
USPC **D13/108**

(58) **Field of Classification Search**

USPC D13/102–110, 118, 119, 184, 199;
D14/251, 253, 432, 434, 447

CPC H01M 10/44; H01M 10/46; H01M 10/465;
H01M 10/482; H01M 10/4257; H01M
10/0436; H01M 10/48; H01M 2200/30;
H01M 2250/30; H01M 2250/40; Y02T
10/7005; Y02T 10/705; Y02T 10/7088;
Y02E 60/10; Y02E 60/12; Y02E 60/122;
Y02E 60/124; Y02E 60/50; H02J 7/00;
H02J 7/0003; H02J 7/0011; H02J 7/0013;
H02J 7/0054; H02J 7/0055; H02J 7/0057;
H02J 7/0034; H02J 7/1423; H02J
2001/006

See application file for complete search history.

(56) **References Cited**

U.S. PATENT DOCUMENTS

D652,378 S * 1/2012 Liao D13/108
D672,356 S * 12/2012 Quijano D14/447

D701,511 S * 3/2014 He D14/447
D703,133 S * 4/2014 Ireland D13/108
D761,201 S * 7/2016 Ireland D13/108
D833,447 S * 11/2018 Zhang D14/447
D845,896 S * 4/2019 Hu D13/108
D859,308 S * 9/2019 Connell D13/108
D868,691 S * 12/2019 Sun D13/108
D871,332 S * 12/2019 Liao D13/108
D880,418 S * 4/2020 Zhang D13/108
D892,047 S * 8/2020 Peng D13/108
D896,174 S * 9/2020 Li D13/108
D903,689 S * 12/2020 Zheng D14/447

(Continued)

Primary Examiner — Christy Nemeth

(74) *Attorney, Agent, or Firm* — Wolf, Greenfield & Sacks, P.C.

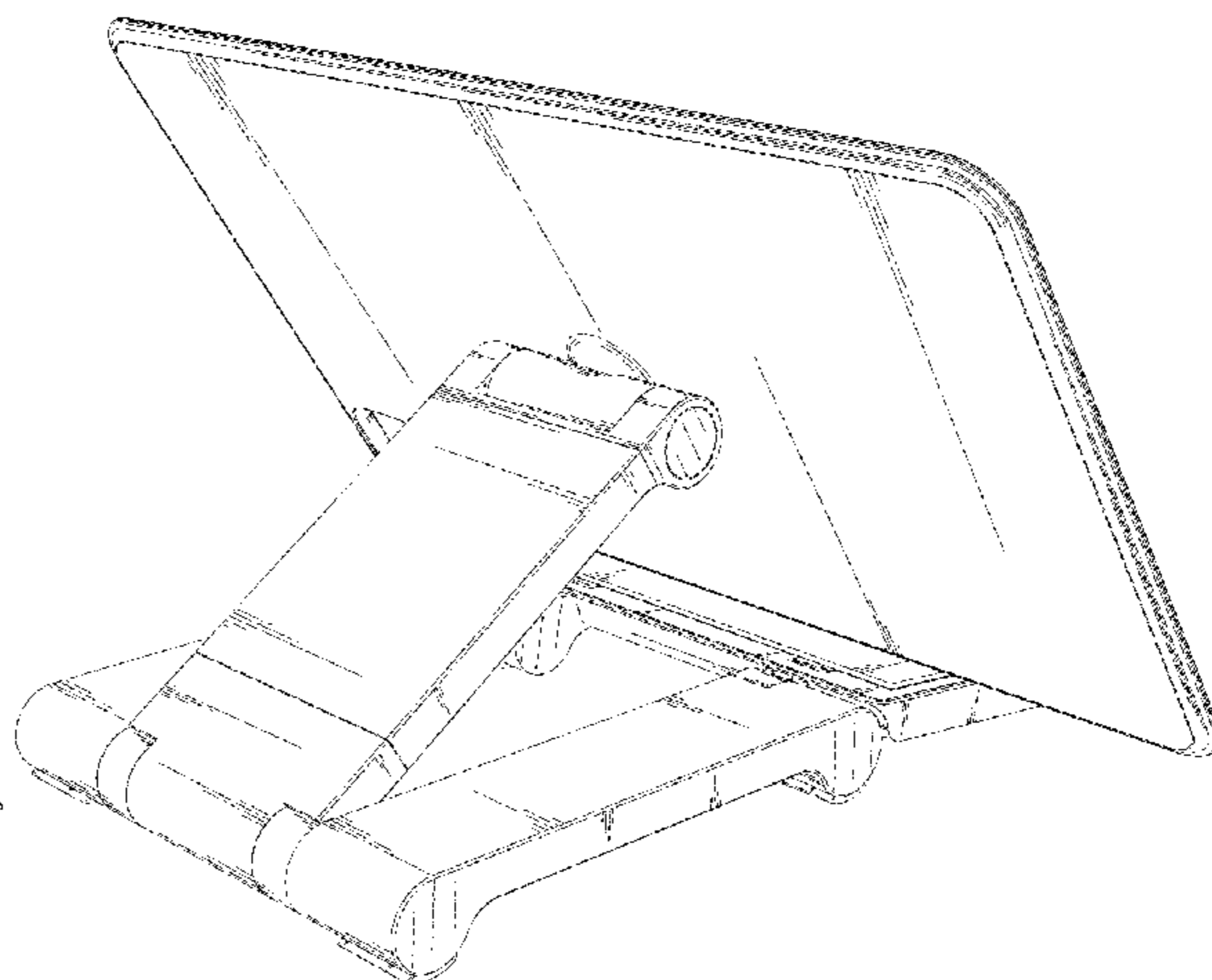
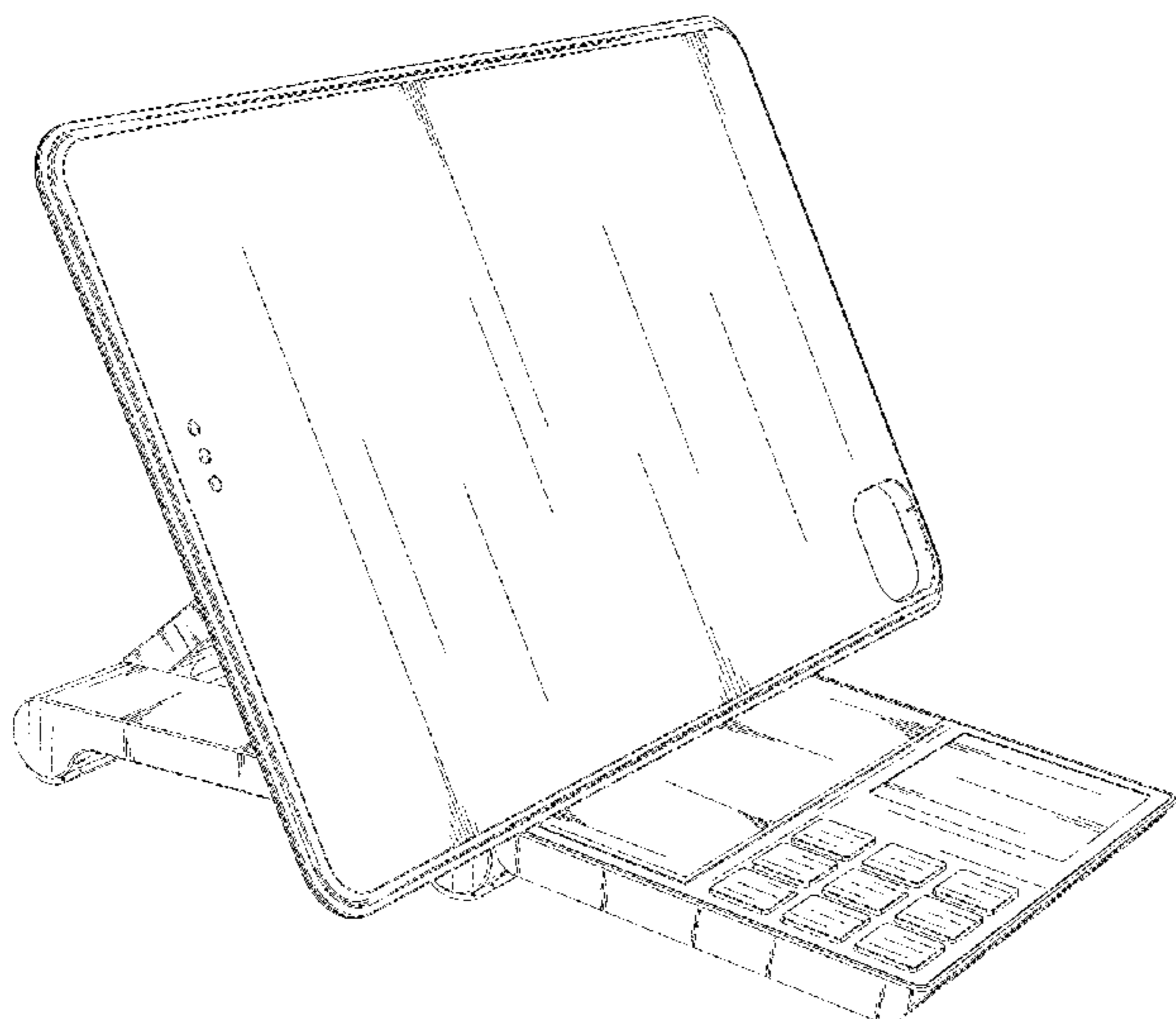
(57) **CLAIM**

The ornamental design for a charging stand for tablet PC, as shown and described.

DESCRIPTION

FIG. 1 is a front view of a charging stand for tablet PC;
FIG. 2 is a rear view thereof;
FIG. 3 is a left side view thereof;
FIG. 4 is a right side view thereof;
FIG. 5 is a top view thereof;
FIG. 6 is a bottom view thereof;
FIG. 7 is a rear perspective view of the charging stand for tablet PC;
FIG. 8 is a first perspective view of the charging stand for tablet PC in a first expanded state;
FIG. 9 is a second perspective view of the charging stand for tablet PC in the first expanded state; and,
FIG. 10 is a perspective view of the charging stand for tablet PC in a second expanded state.
The broken lines in the figures depict portions of the charging stand for tablet PC that form no part of the claimed design.

1 Claim, 10 Drawing Sheets



(56)

References Cited

U.S. PATENT DOCUMENTS

D907,575 S *	1/2021	Xu	D13/108
D917,494 S *	4/2021	Okuley	D14/447
D924,131 S *	7/2021	Kuo	D13/108
D926,126 S *	7/2021	DeMaio	D13/108
D926,683 S *	8/2021	Liao	D13/108
D931,208 S *	9/2021	Liao	D13/108
D931,209 S *	9/2021	Hahn	D13/108
D931,864 S *	9/2021	Zhang	D14/447
D932,425 S *	10/2021	Zhu	D13/107
D933,005 S *	10/2021	Yarbough	D13/108
D935,397 S *	11/2021	Brisebras	D13/108

* cited by examiner

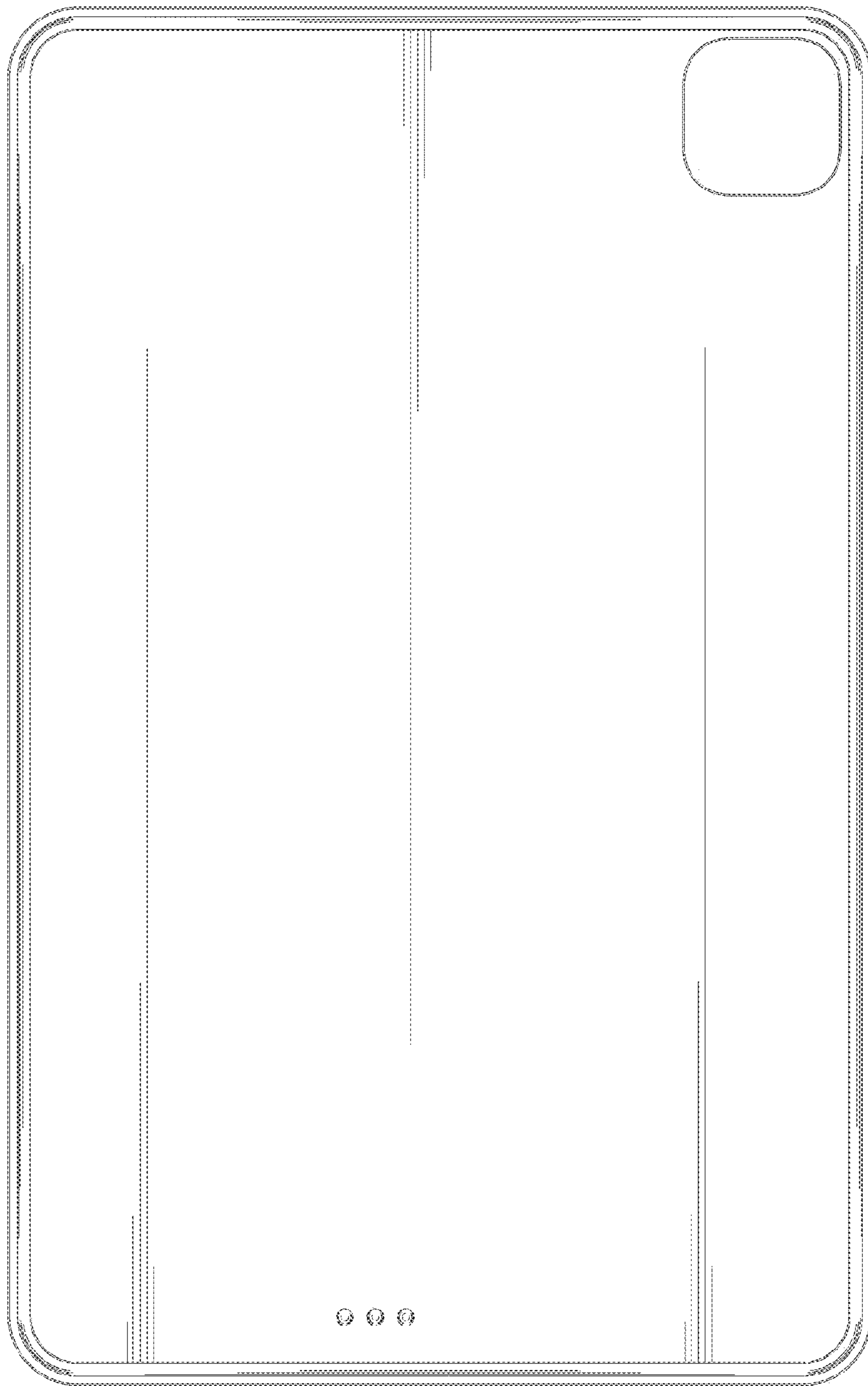


FIG. 1

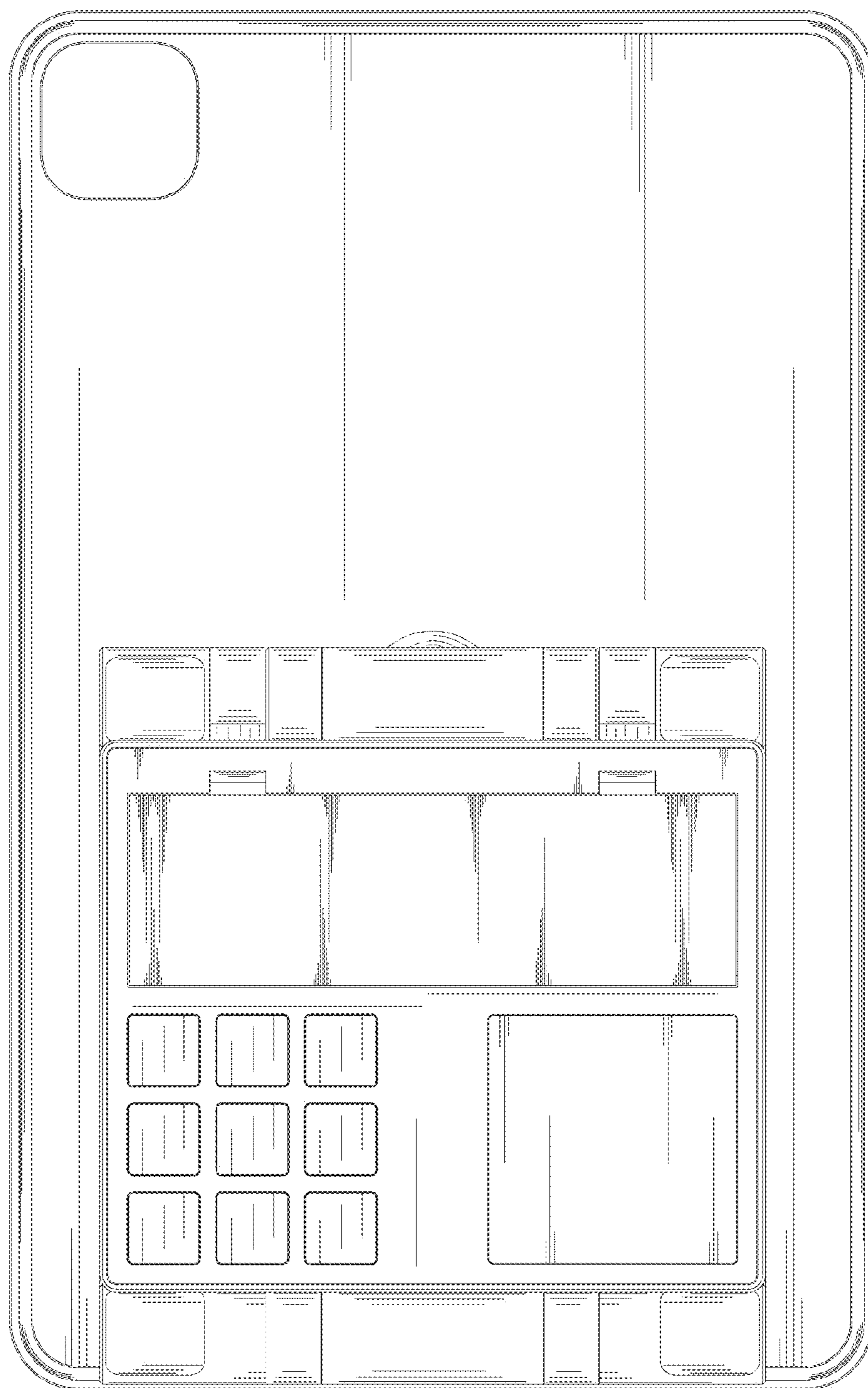


FIG. 2

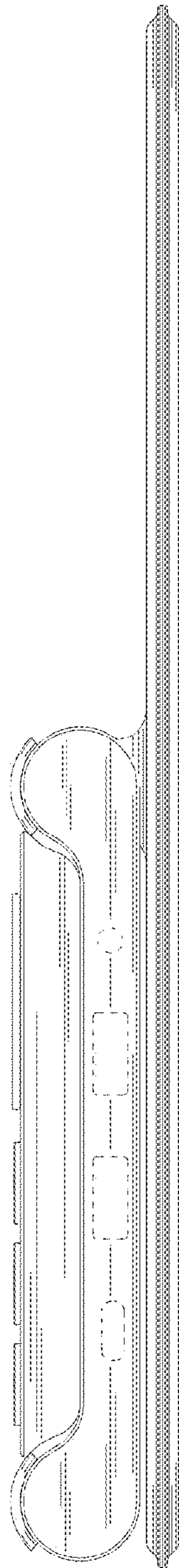


FIG. 3

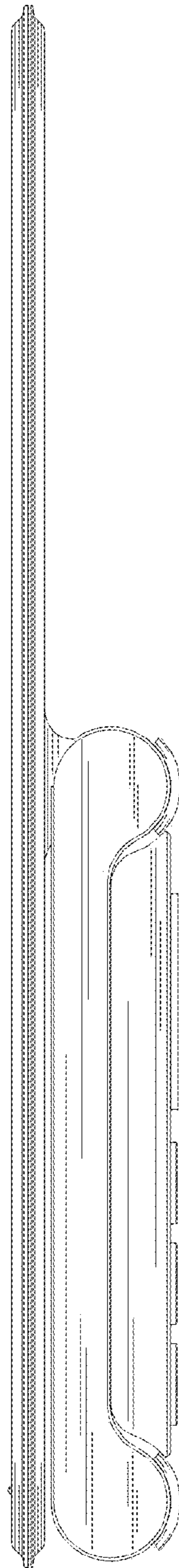


FIG. 4

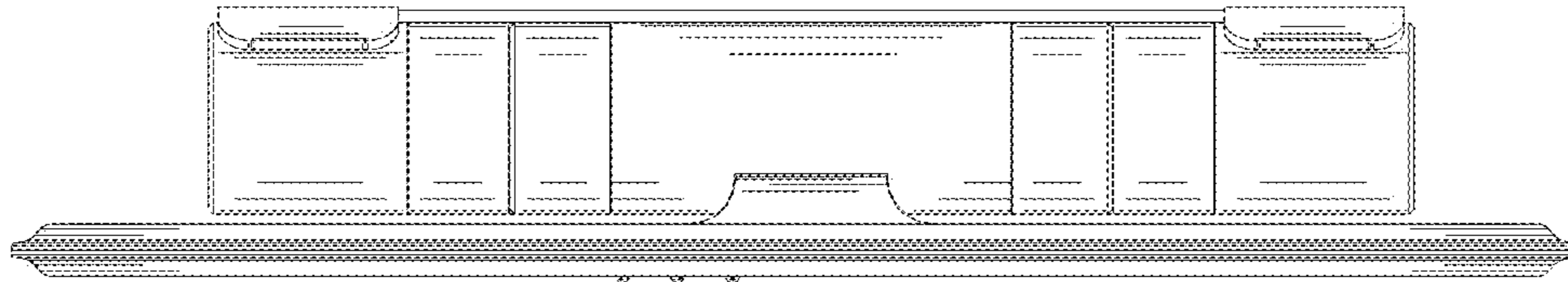


FIG. 5

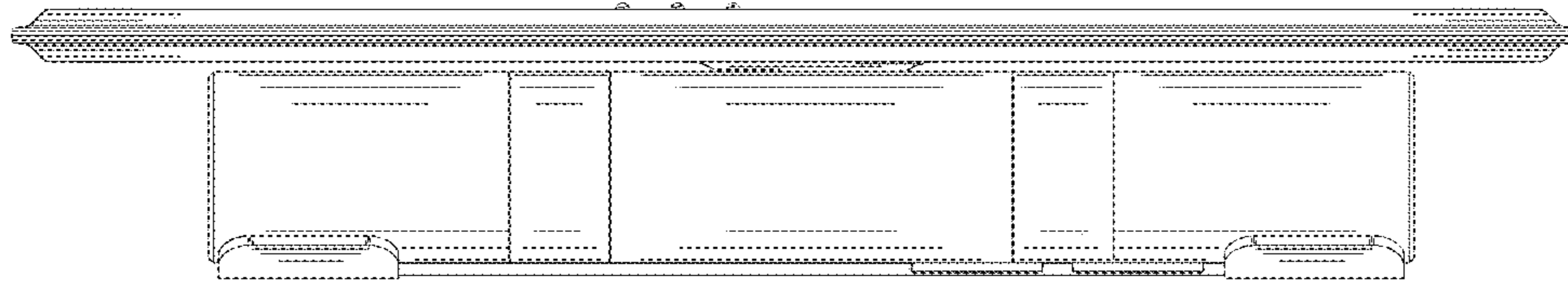


FIG. 6

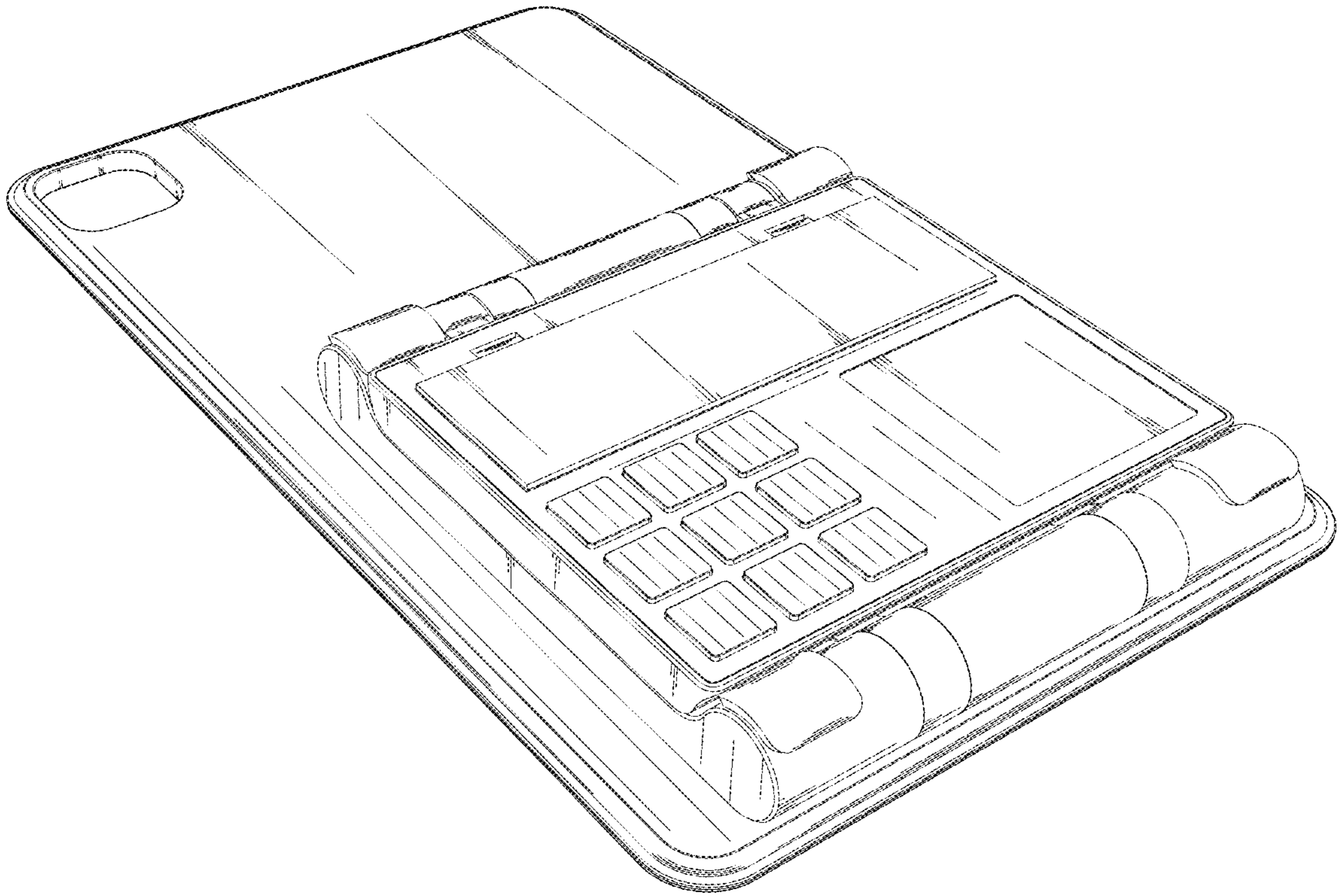


FIG. 7

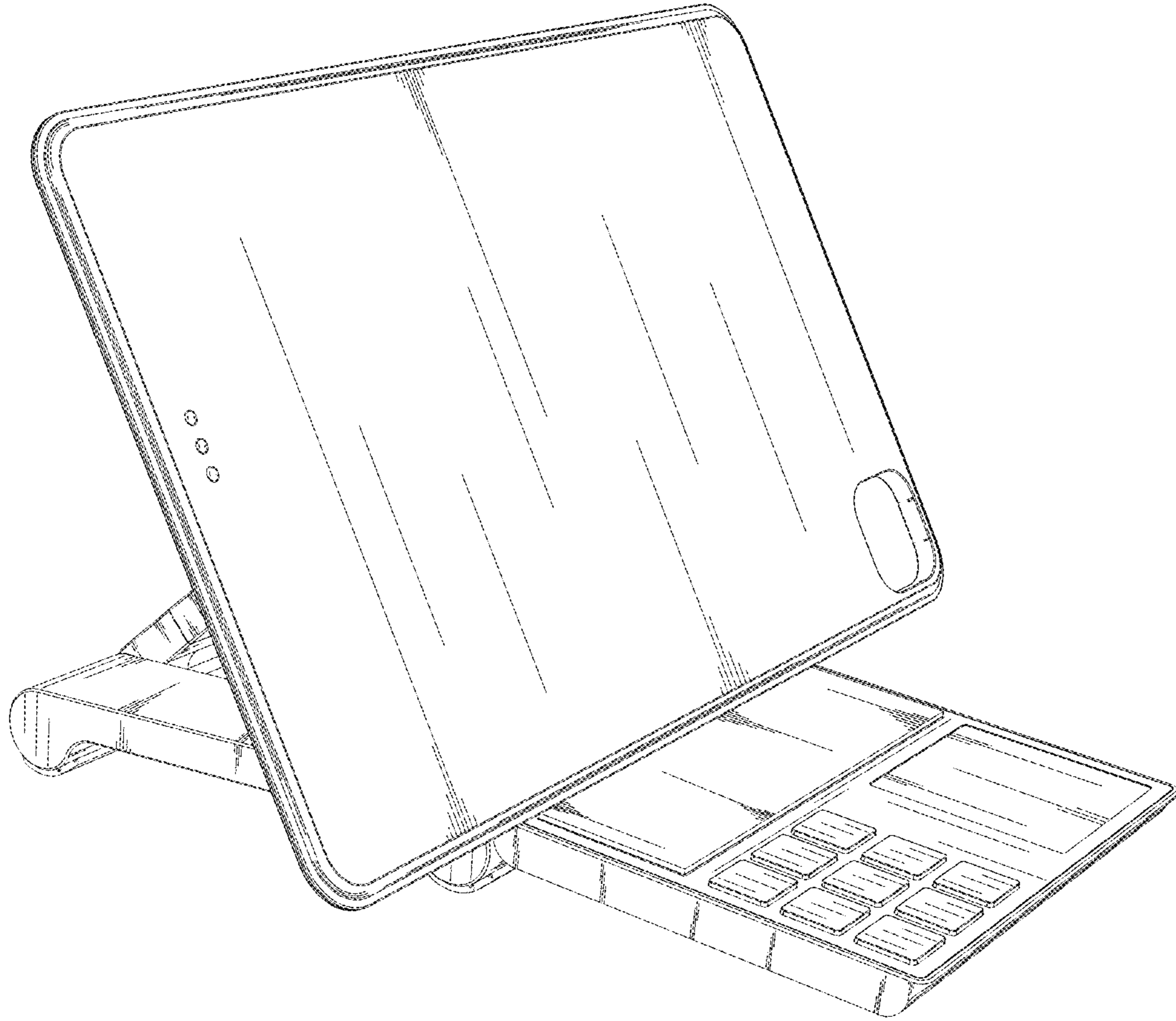


FIG. 8

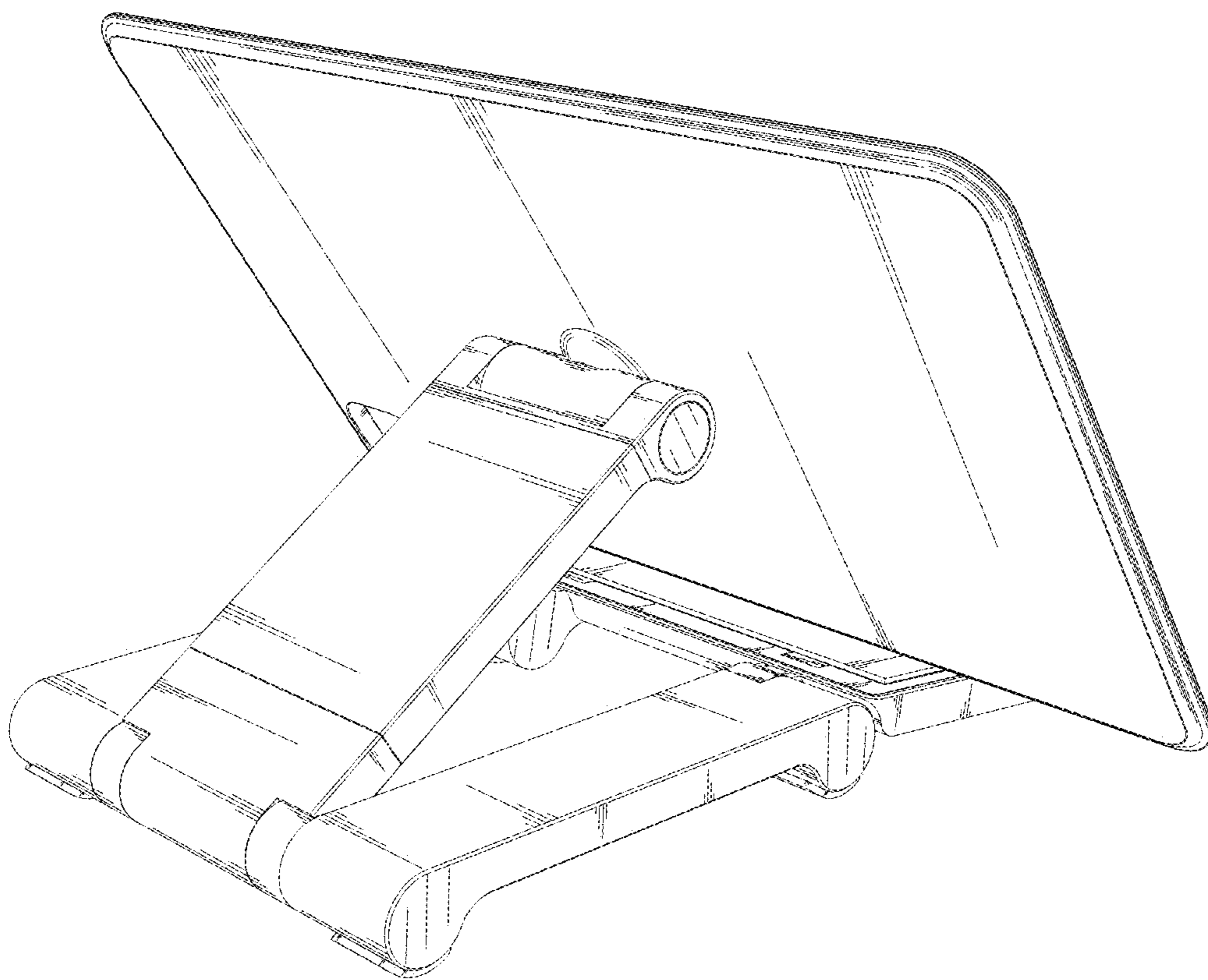


FIG. 9

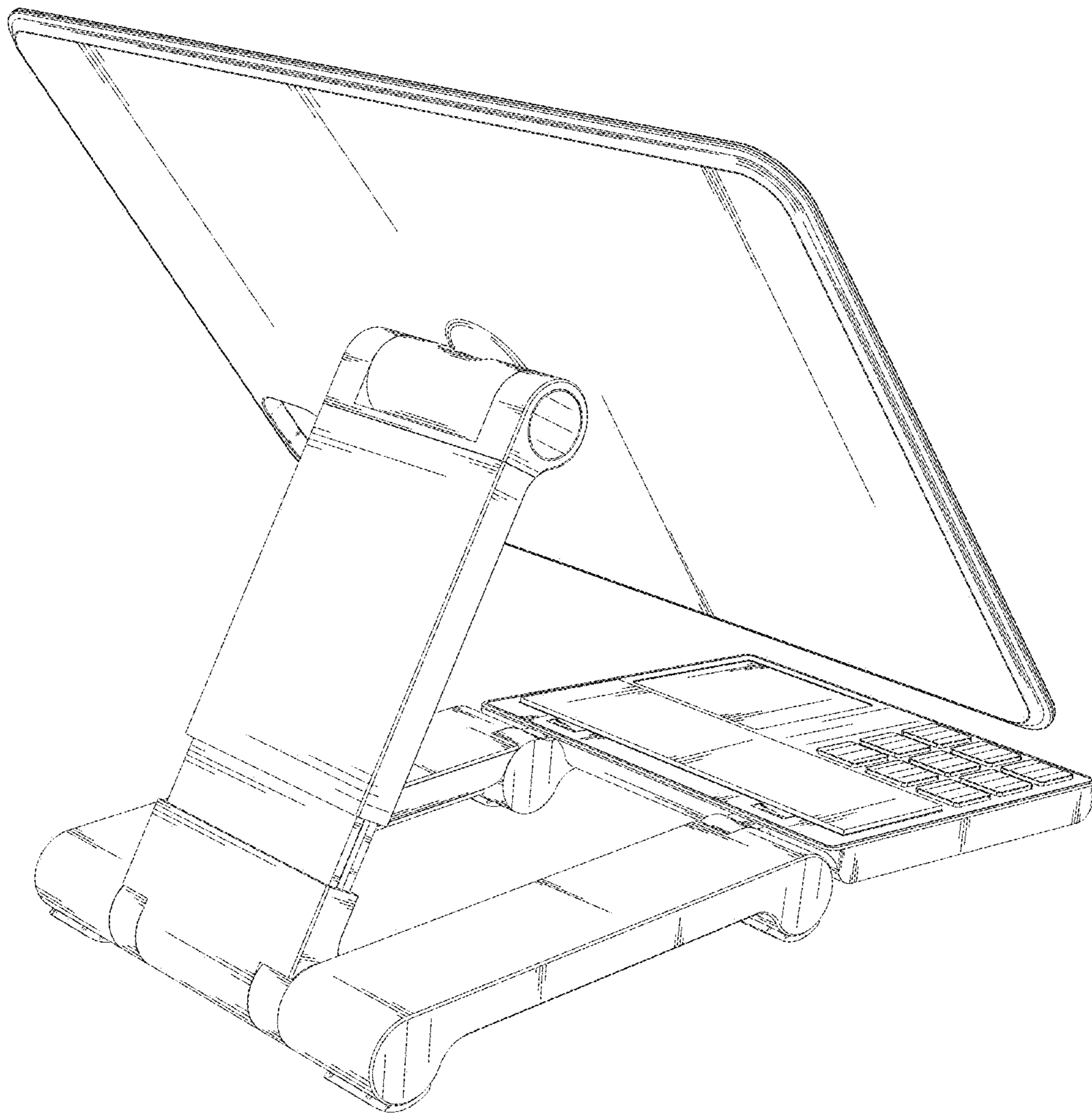


FIG. 10