

US00D947769S

(12) **United States Design Patent**
Tschopp

(10) **Patent No.:** **US D947,769 S**

(45) **Date of Patent:** **** Apr. 5, 2022**

(54) **CHARGER**

(71) Applicant: **BLACK & DECKER INC.**, New Britain, CT (US)

(72) Inventor: **Tylan A. Tschopp**, Baltimore, MD (US)

(73) Assignee: **BLACK & DECKER INC.**, New Britain, CT (US)

(**) Term: **15 Years**

(21) Appl. No.: **29/732,300**

(22) Filed: **Apr. 23, 2020**

(51) **LOC (13) Cl.** **13-02**

(52) **U.S. Cl.**
USPC **D13/108**

(58) **Field of Classification Search**
USPC D13/103, 107, 108, 110, 118, 119, 122, D13/184, 199

CPC Y02E 60/12; Y02E 60/122; Y02E 60/124; Y02E 60/50; H02J 7/025; H02J 7/0042; H02J 7/0044; H02J 7/0045; H02J 7/0003; H01R 13/6675; H01M 2/1022; H01M 2/1055; H01M 10/44; H01M 10/46; H01M 10/425; B60L 11/182

See application file for complete search history.

(56) **References Cited**

U.S. PATENT DOCUMENTS

D559,175 S *	1/2008	Houghton	D13/103
D655,243 S *	3/2012	Au	D13/108
D773,992 S *	12/2016	Krantz	D13/110
D792,846 S *	7/2017	Zheng	D13/110
D823,244 S *	7/2018	Yaparak	D13/108

D840,333 S *	2/2019	Cooper	D13/103
D879,711 S *	3/2020	Ruiwu	D13/108
D879,714 S *	3/2020	Zhang	D13/110
10,666,064 B2 *	5/2020	Hennesy	H02J 7/0044
D892,736 S *	8/2020	Jin	D13/108
D892,737 S *	8/2020	Yuan	D13/110
D900,738 S *	11/2020	Liu	D13/108
D901,383 S *	11/2020	Pang	D13/110
D902,853 S *	11/2020	Lin	D13/108
D904,765 S *	12/2020	Hyun	D3/302
D909,969 S *	2/2021	Yoon	D13/110
D916,655 S *	4/2021	Fang	D13/108
D920,234 S *	5/2021	Ishida	D13/108

* cited by examiner

Primary Examiner — Christy Nemeth

(74) *Attorney, Agent, or Firm* — Adan Ayala

(57) **CLAIM**

The ornamental design for a charger, as shown and described.

DESCRIPTION

FIG. 1 is a front perspective view of a charger according to the invention.

FIG. 2 is a front view of the charger of FIG. 1.

FIG. 3 is a rear view of the charger of FIG. 1.

FIG. 4 is a right side view of the charger of FIG. 1.

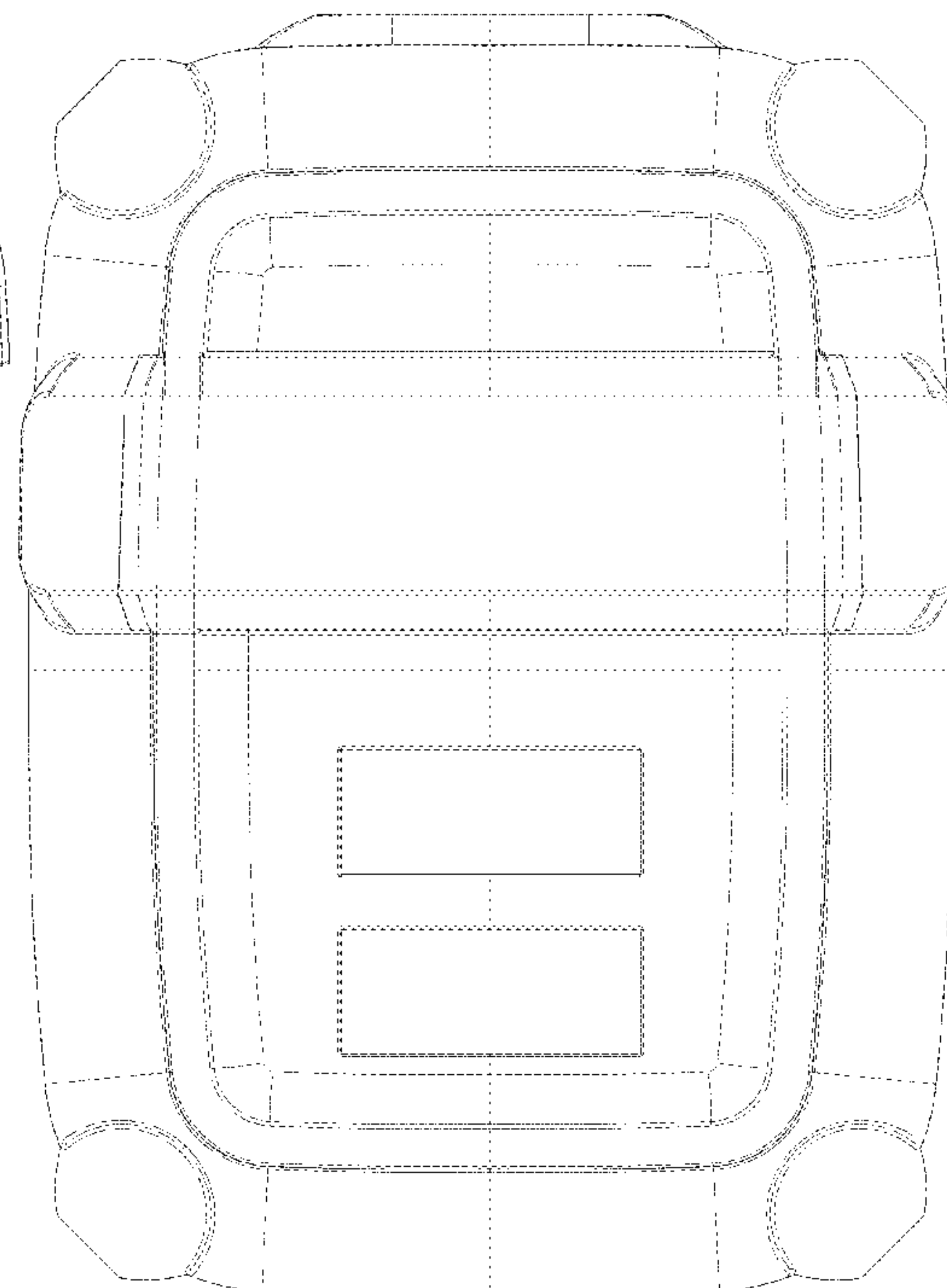
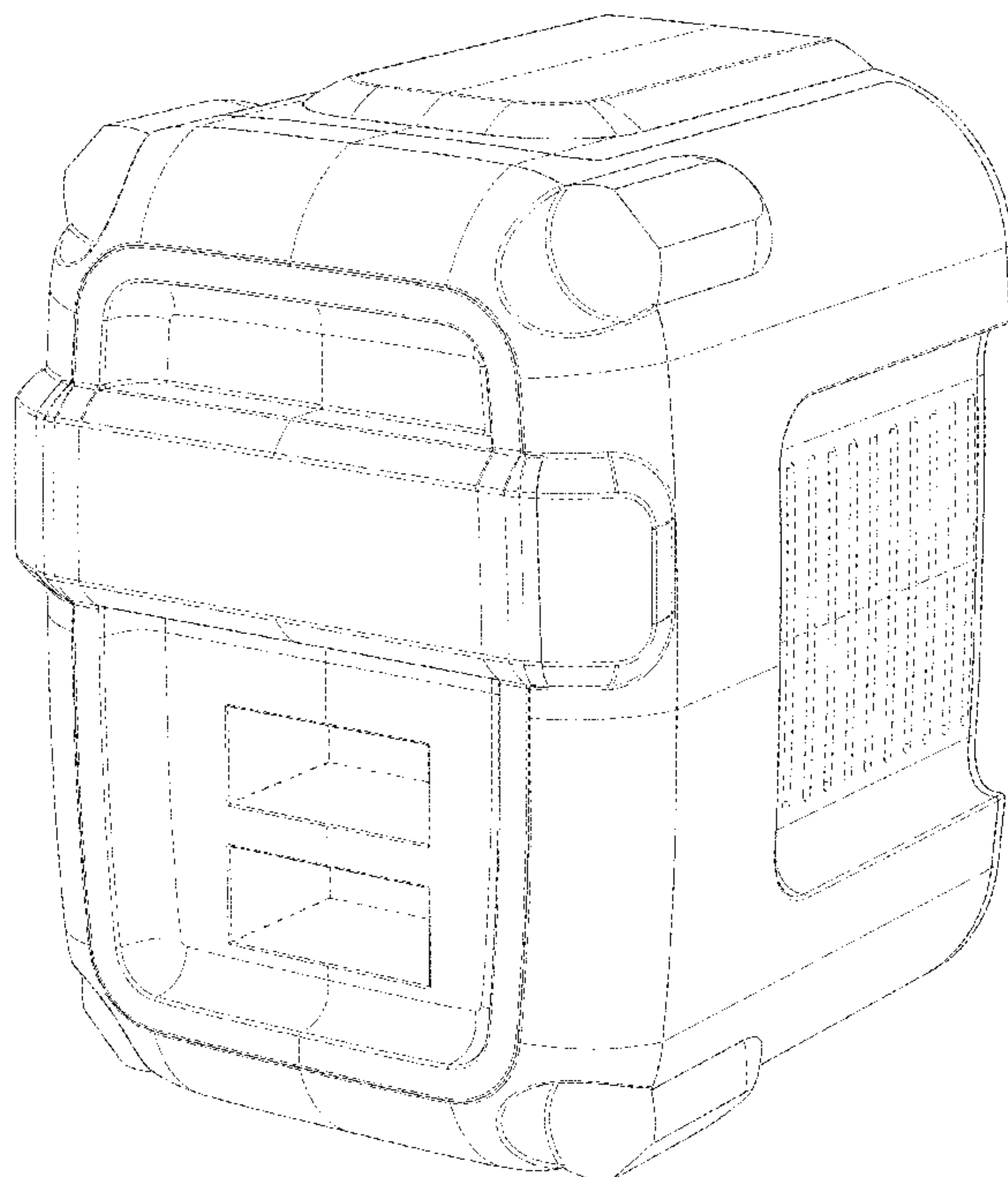
FIG. 5 is a left side view of the charger of FIG. 1.

FIG. 6 is a top plan view of the charger of FIG. 1; and,

FIG. 7 is a bottom plan view of the charger of FIG. 1.

The dash-dash broken lines and portions within illustrate portions of the charger that form no part of the claimed design. The dash-dot broken line illustrates a boundary and forms no part of the claimed design.

1 Claim, 7 Drawing Sheets



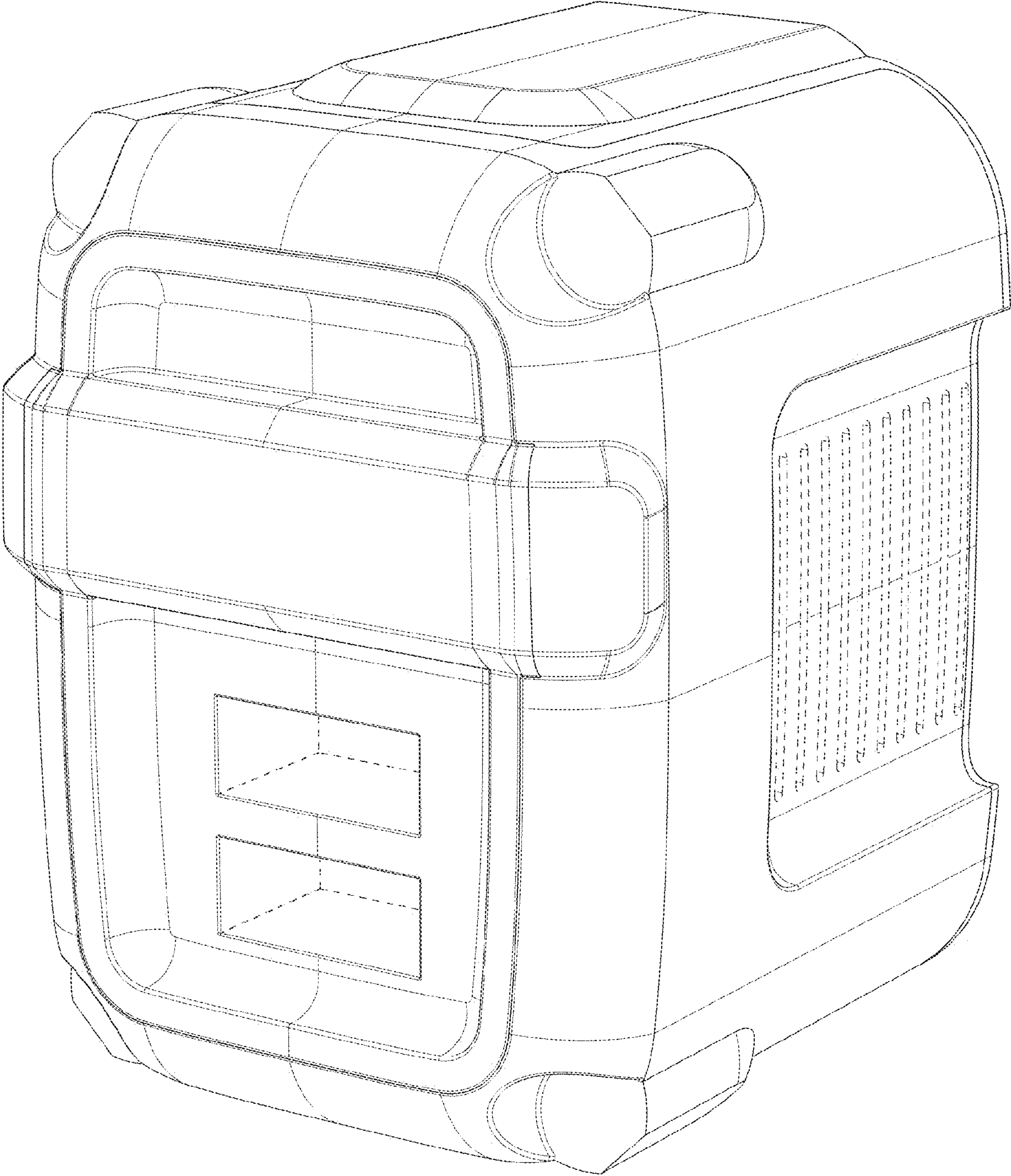


FIG. 1

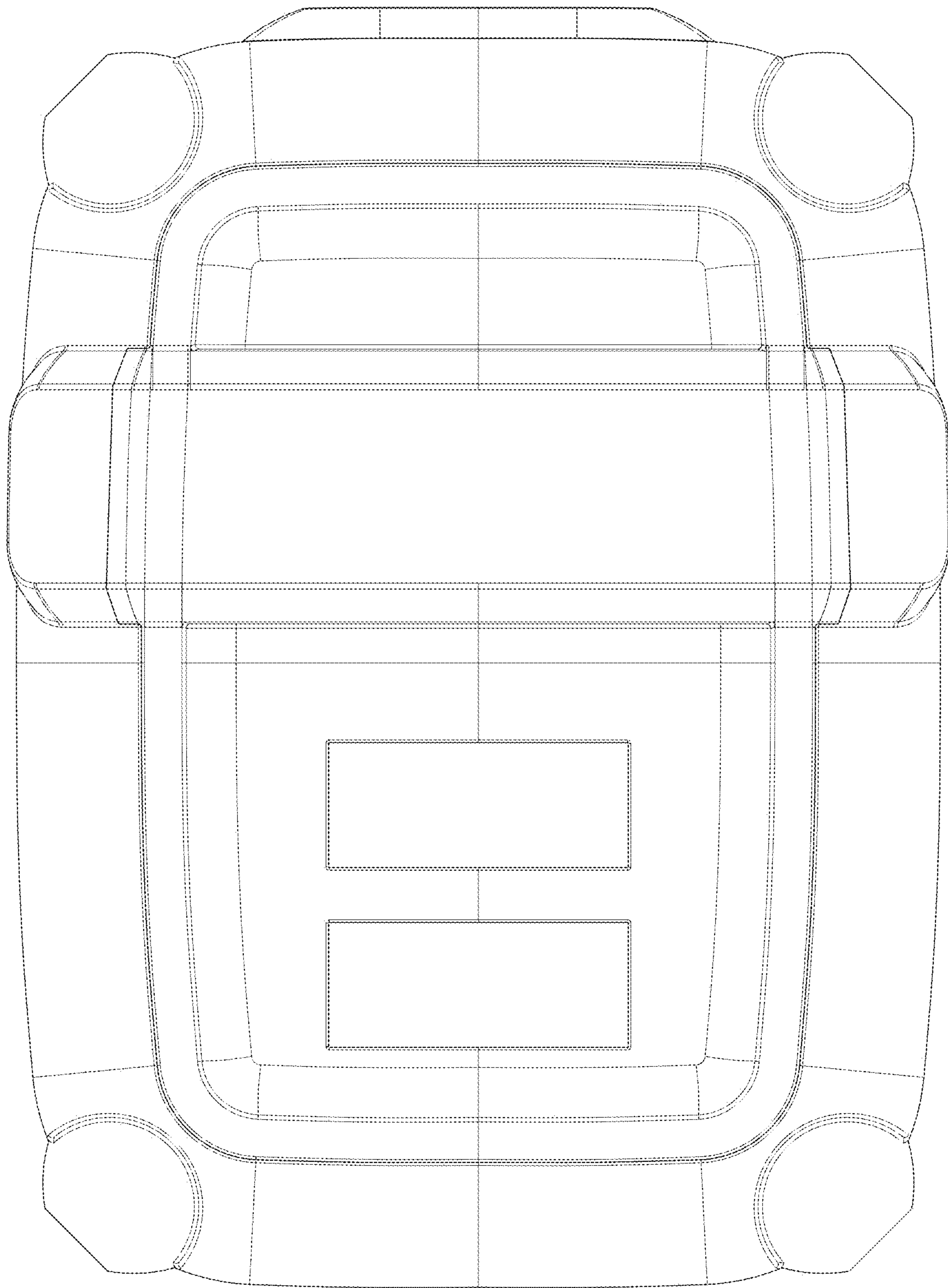


FIG. 2

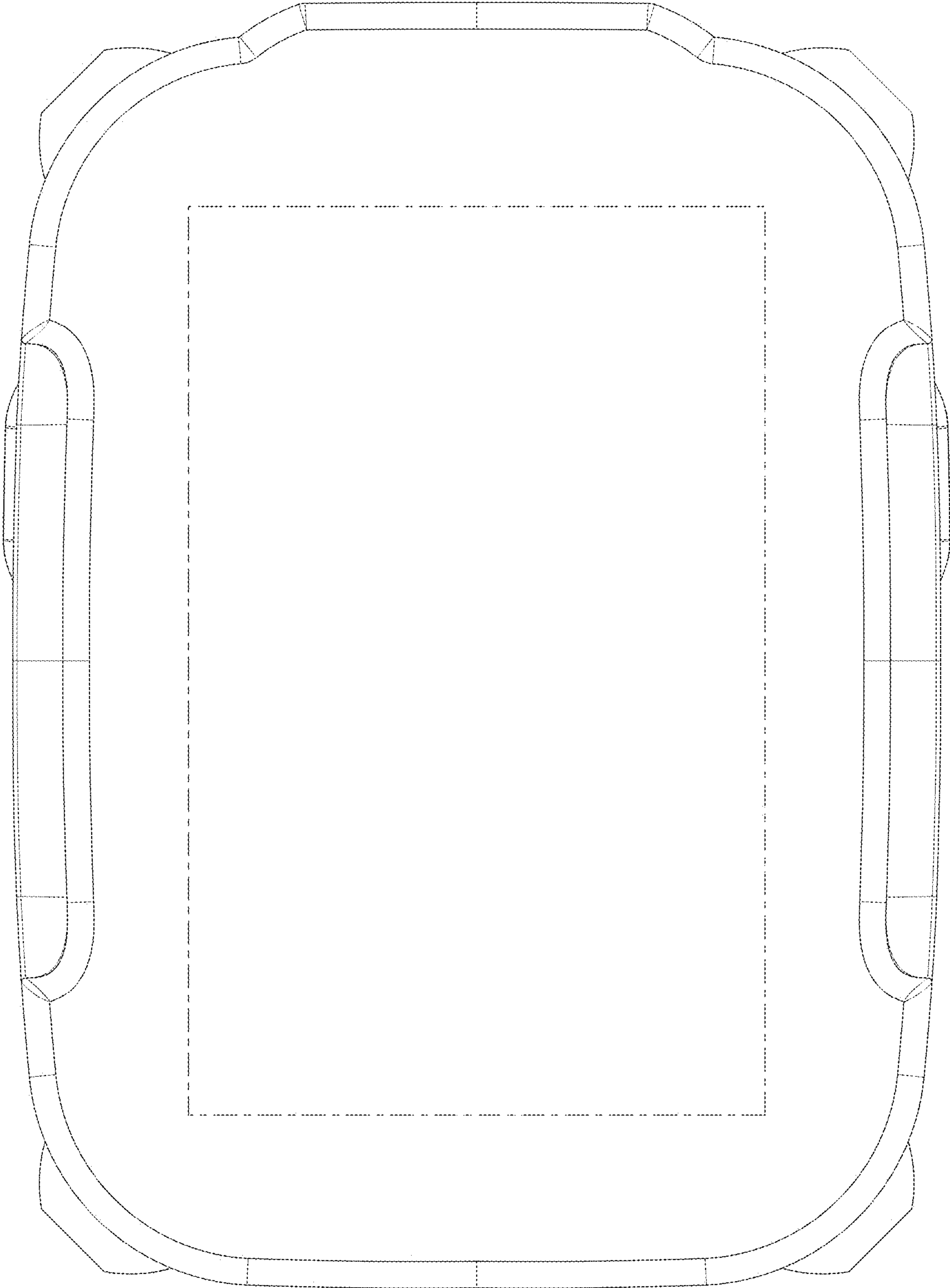


FIG. 3

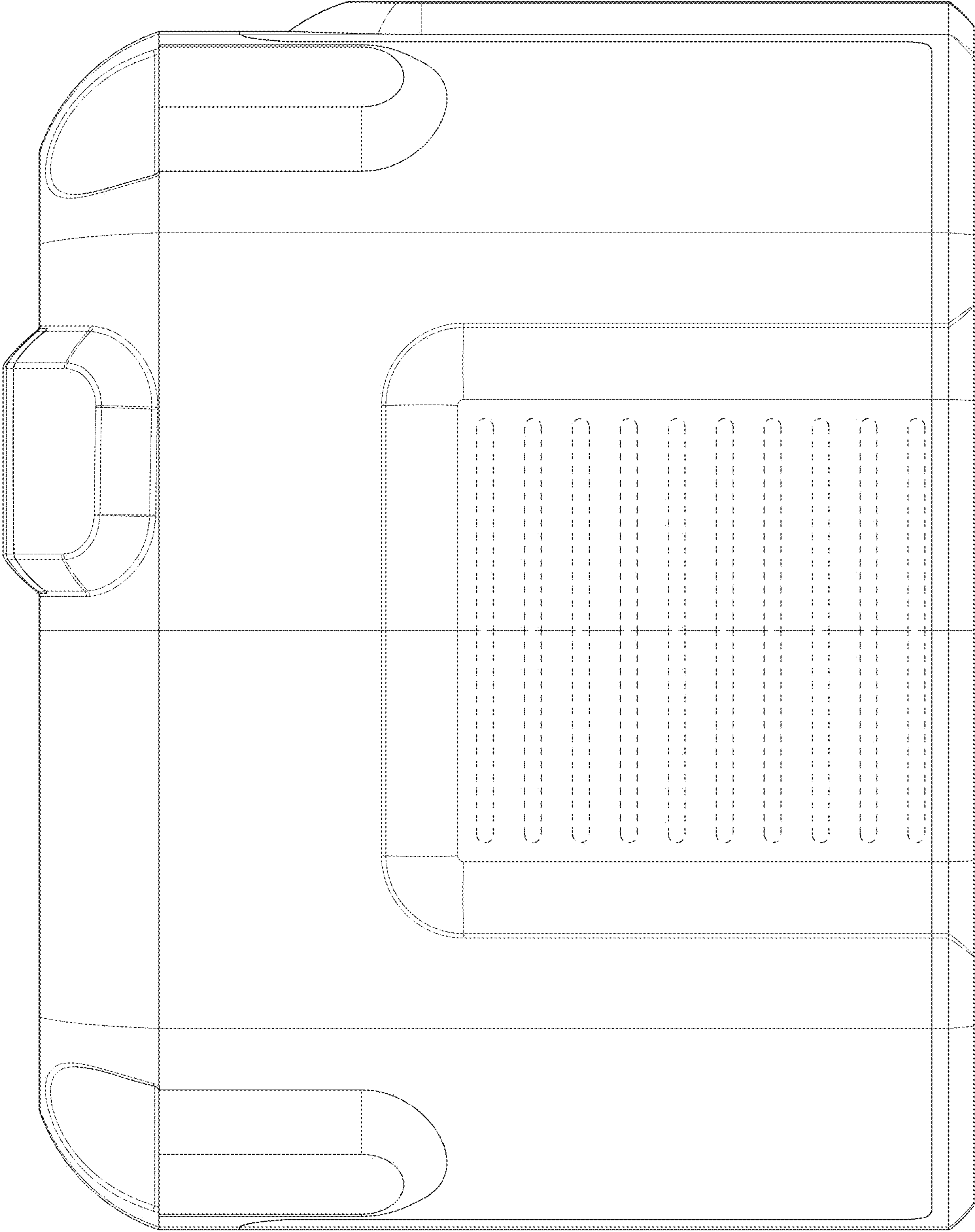


FIG. 4

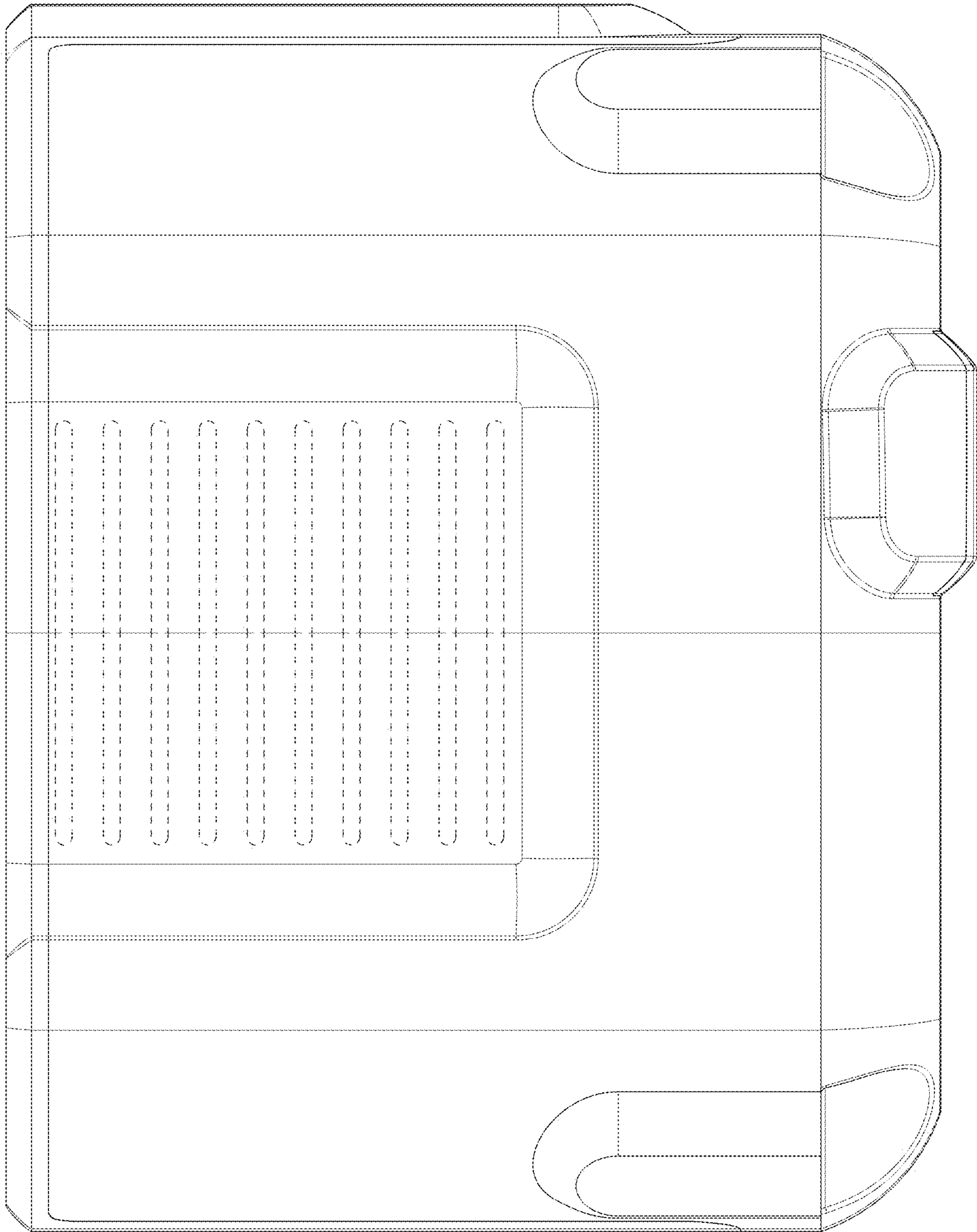


FIG. 5

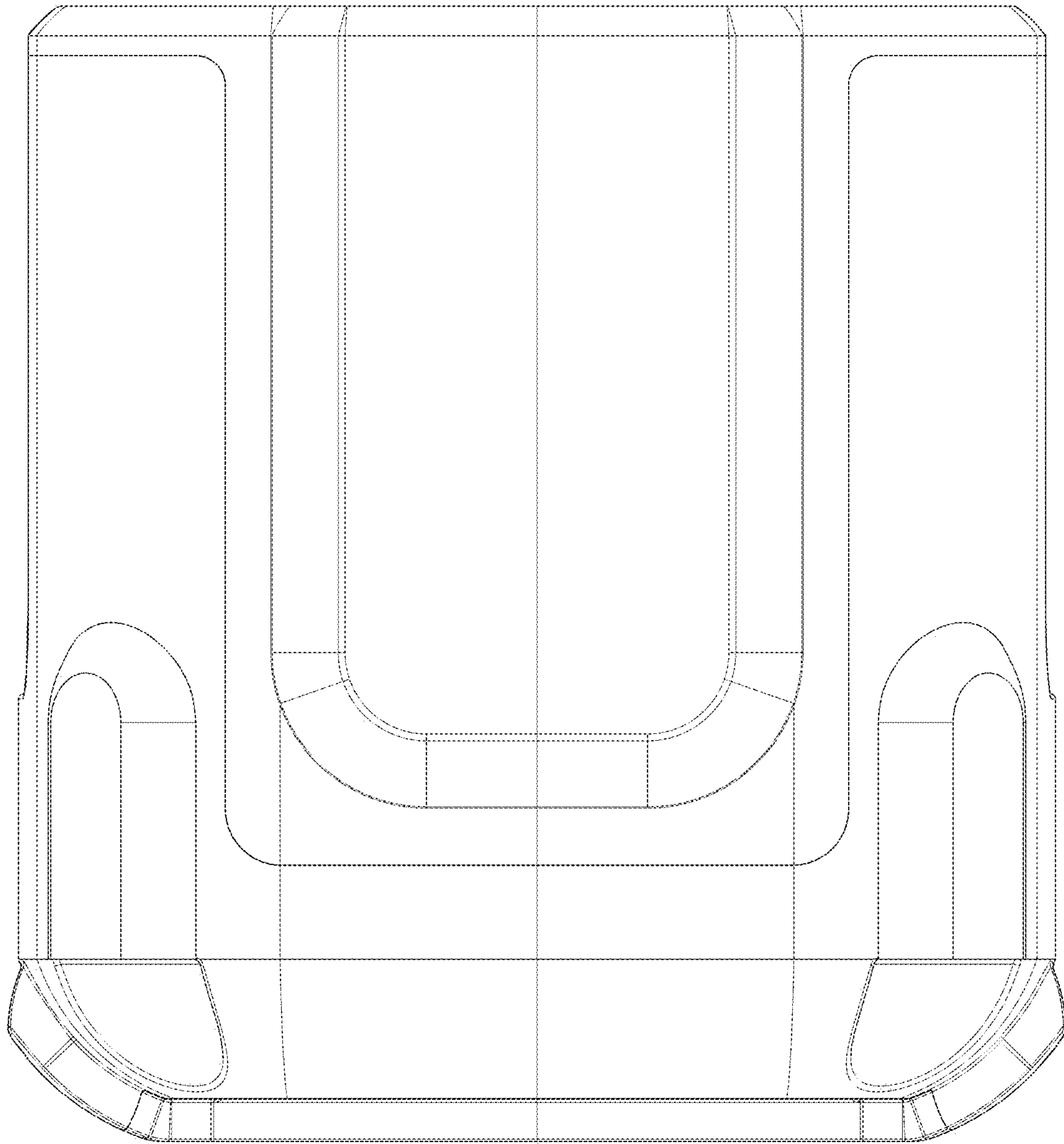


FIG. 6

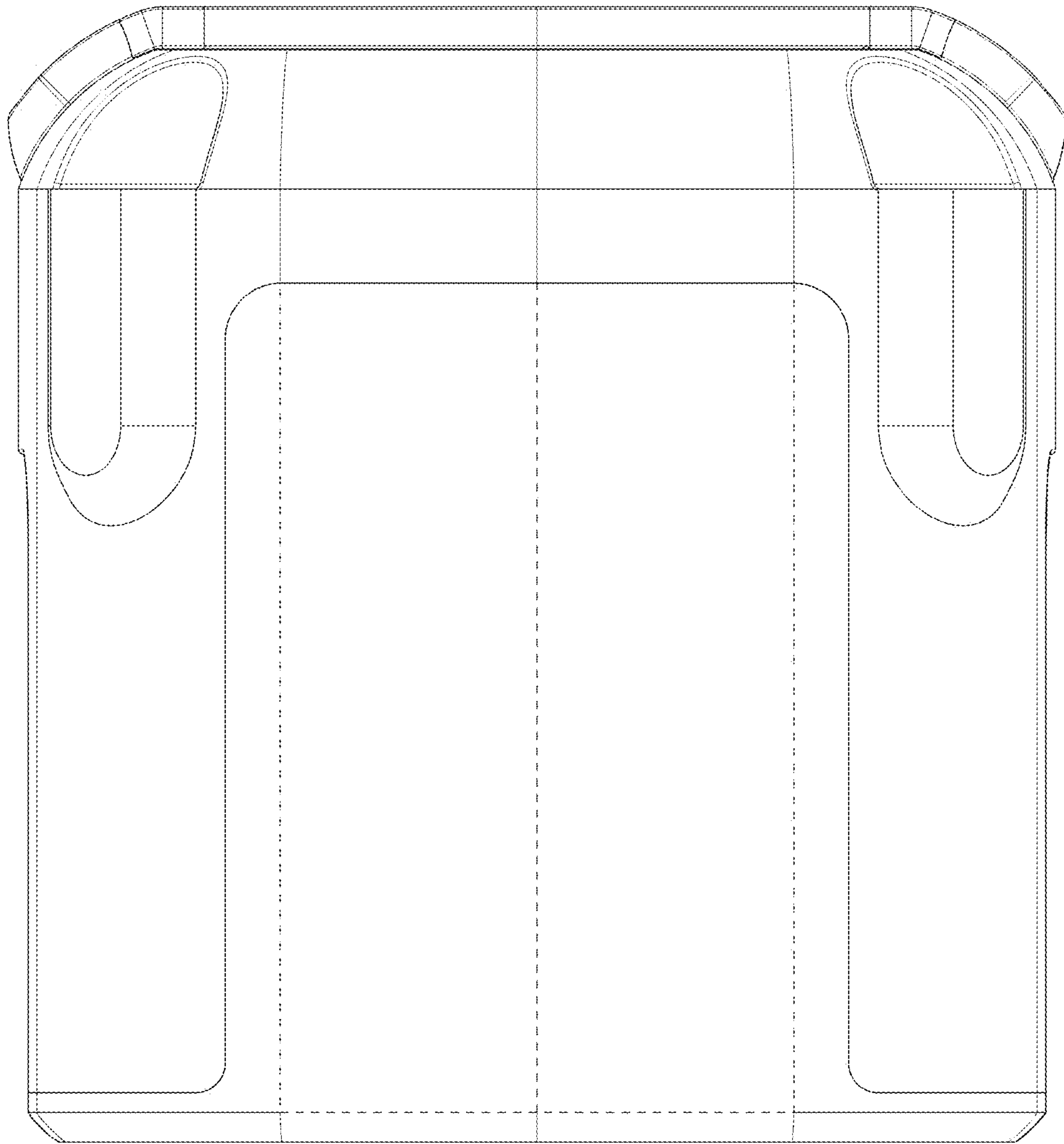


FIG. 7