



US00D947768S

(12) **United States Design Patent**
Arimoto

(10) **Patent No.:** **US D947,768 S**

(45) **Date of Patent:** **** Apr. 5, 2022**

(54) **BATTERY CHARGER FOR EARPHONES**

(71) Applicant: **JVCKENWOOD Corporation**,
Yokohama (JP)

(72) Inventor: **Takuya Arimoto**, Yokohama (JP)

(73) Assignee: **JVCKENWOOD Corporation**,
Yokohama (JP)

(**) Term: **15 Years**

(21) Appl. No.: **29/730,213**

(22) Filed: **Apr. 2, 2020**

(51) **LOC (13) Cl.** **13-02**

(52) **U.S. Cl.**
USPC **D13/108; D3/294**

(58) **Field of Classification Search**
USPC D13/103, 107, 108, 110, 118, 119, 184,
D13/199; D3/201, 208, 218, 273, 274,
(Continued)

(56) **References Cited**

U.S. PATENT DOCUMENTS

D452,611 S * 1/2002 Redgrave D3/264
D592,494 S * 5/2009 Wichowski D9/414
(Continued)

FOREIGN PATENT DOCUMENTS

JP D2019-20176 * 4/2020

OTHER PUBLICATIONS

“JVC True Wireless Sports Earbuds”. Found online Jul. 14, 2021 at
gadgetexplained.com. Reference dated Feb. 12, 2018. Retrieved
from <https://www.gadgetexplained.com/2018/02/jvc-ha-et90bt-y-review-true-wireless.html>. (Year: 2018).*

(Continued)

Primary Examiner — Kendra Leslie Hamilton

Assistant Examiner — Amanda Christensen

(74) *Attorney, Agent, or Firm* — Amin, Turocy & Watson,
LLP

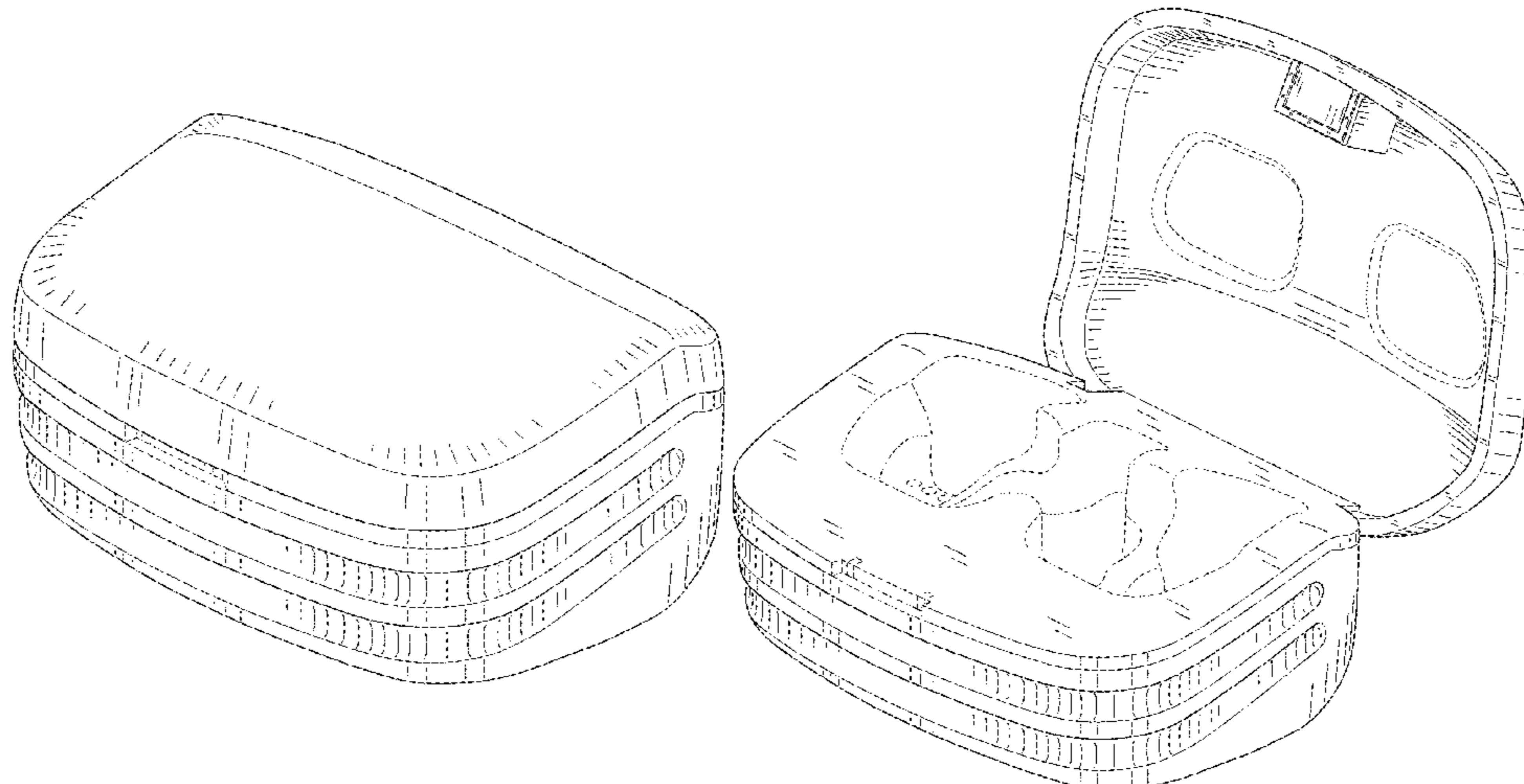
(57) **CLAIM**

The ornamental design for a battery charger for earphones,
as shown and described.

DESCRIPTION

FIG. 1 is a right, front, and top perspective view of a battery charger for earphones, shown closed in a first configuration; FIG. 2 is a right, rear, and top perspective view thereof; FIG. 3 is a front elevational view thereof; FIG. 4 is a rear elevational view thereof; FIG. 5 is a top plan view thereof; FIG. 6 is a bottom plan view thereof; FIG. 7 is a left side elevational view thereof; FIG. 8 is a right side elevational view thereof; FIG. 9 is a right, front, and top perspective view of the battery charger for earphones of FIG. 1, shown open in a second configuration; FIG. 10 is a right, rear, and top perspective view thereof; FIG. 11 is a front elevational view thereof; FIG. 12 is a rear elevational view thereof; FIG. 13 is a top plan view thereof; FIG. 14 is a bottom plan view thereof; FIG. 15 is a left side elevational view thereof; FIG. 16 is a right side elevational view thereof; FIG. 17 is a cross-sectional right side elevational view of the battery charger for earphones of FIG. 1, taken in the direction of 17-17 of FIG. 3; FIG. 18 is a cross-sectional right side elevational view thereof, taken in the direction of 18-18 of FIG. 3; FIG. 19 is a cross-sectional front elevational view thereof, taken in the direction of 19-19 of FIG. 5; FIG. 20 is a cross-sectional front elevational view thereof, taken in the direction of 20-20 of FIG. 5; and, FIG. 21 is a cross-sectional front elevational view thereof, taken in the direction of 21-21 of FIG. 5. The broken lines in the drawings depict portions of the battery charger for earphones that form no part of the claimed design.

1 Claim, 21 Drawing Sheets



(58) **Field of Classification Search**

USPC D3/294, 295, 296, 298; D9/414, 420,
D9/423, 430; D14/223, 251, 432
CPC .. H02J 7/0044; A45C 2011/001; B65D 43/16;
H04R 1/1025

See application file for complete search history.

(56) **References Cited**

U.S. PATENT DOCUMENTS

D604,501 S * 11/2009 Lee D3/201
D846,264 S * 4/2019 Wu D3/201
D853,116 S * 7/2019 Bergman D3/294
D873,766 S * 1/2020 Ansehn D13/103
D886,455 S * 6/2020 Williamson D3/294
D910,603 S * 2/2021 Li D14/223
D917,389 S * 4/2021 Ye D13/108
D924,798 S * 7/2021 Ando D13/108
2008/0090622 A1 * 4/2008 Kim H04M 1/05
455/573
2020/0099231 A1 * 3/2020 Nobre G06F 1/163
2020/0412143 A1 * 12/2020 Chang H04R 1/1025

OTHER PUBLICATIONS

“JVC AE Sport Truly Wireless Earbuds”. Found online Jul. 14, 2021 at amazon.com. Reference dated May 28, 2020. Retrieved from <https://www.amazon.com/JVC-HA-AE5TB-Sport-Wireless-Earbuds/dp/B08DJXPGX5?th=1>. (Year: 2020).*

“Soundmoov 316T Mini Wireless Earbuds with Charging Box”. Found online Dec. 10, 2020 at us.amazon.com. Reference dated Jun. 10, 2017. Retrieved from <https://us.amazon.com/dp/B071WZ4C32>. (Year: 2017).*

* cited by examiner

Fig. 1

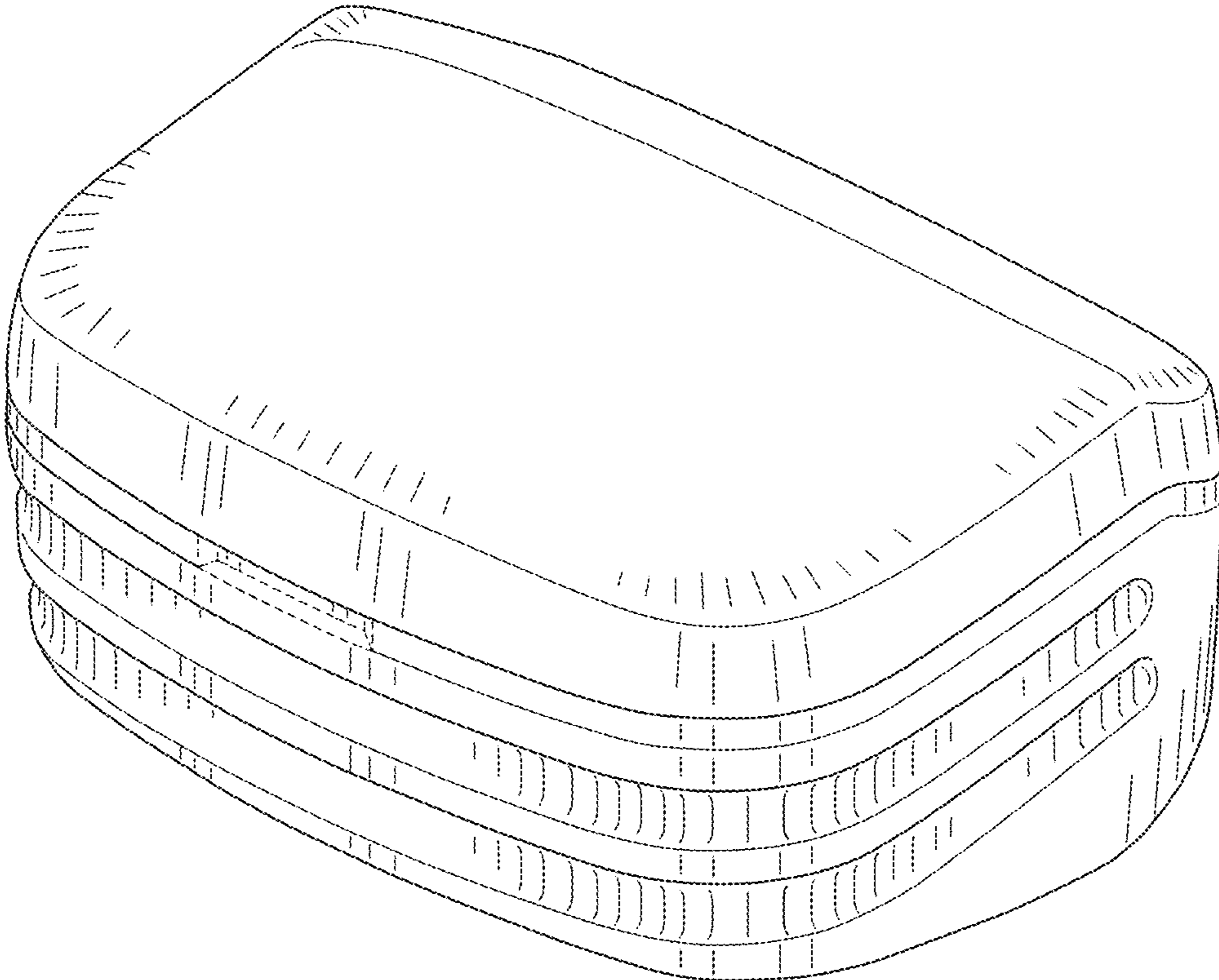


Fig.2

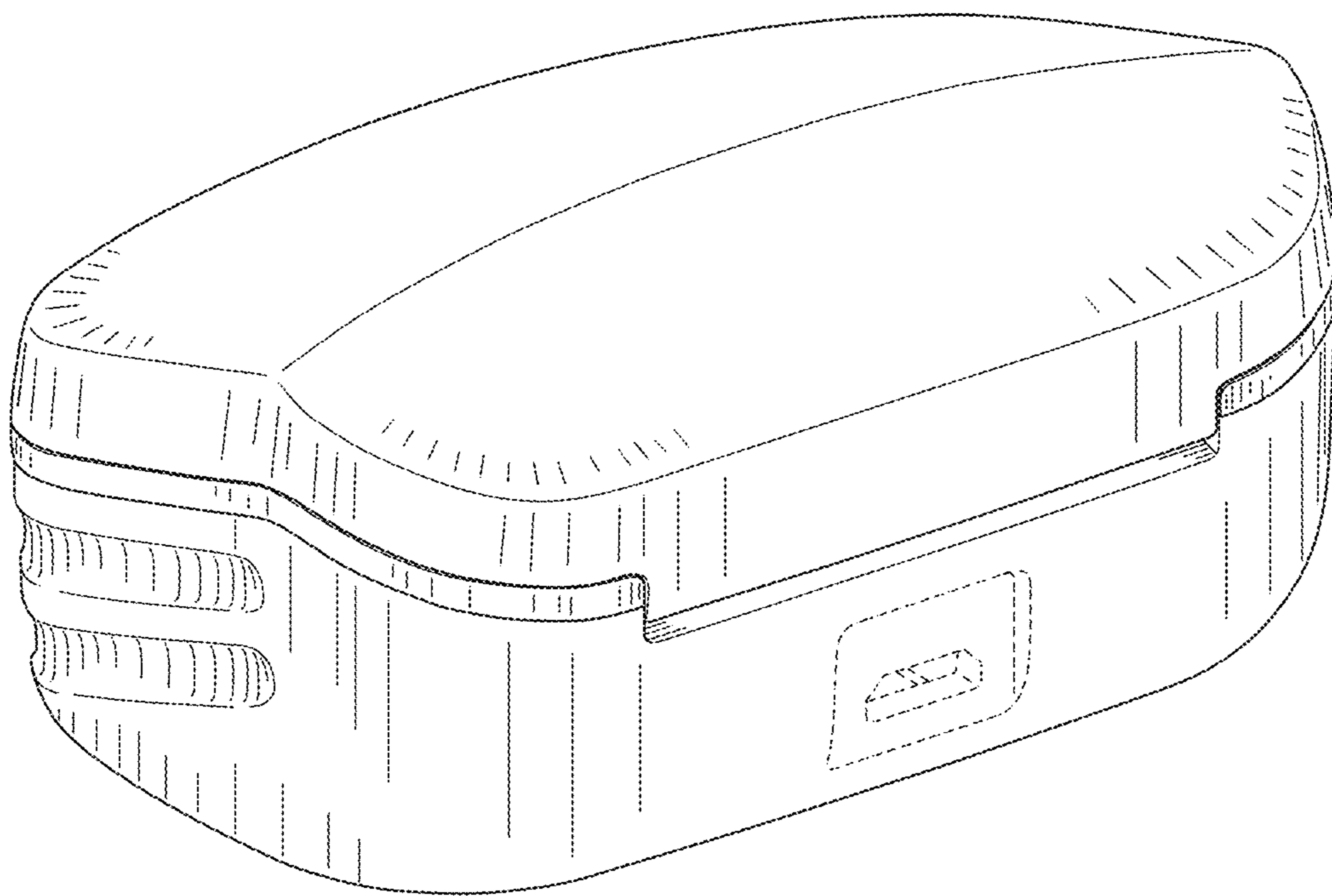


Fig.3

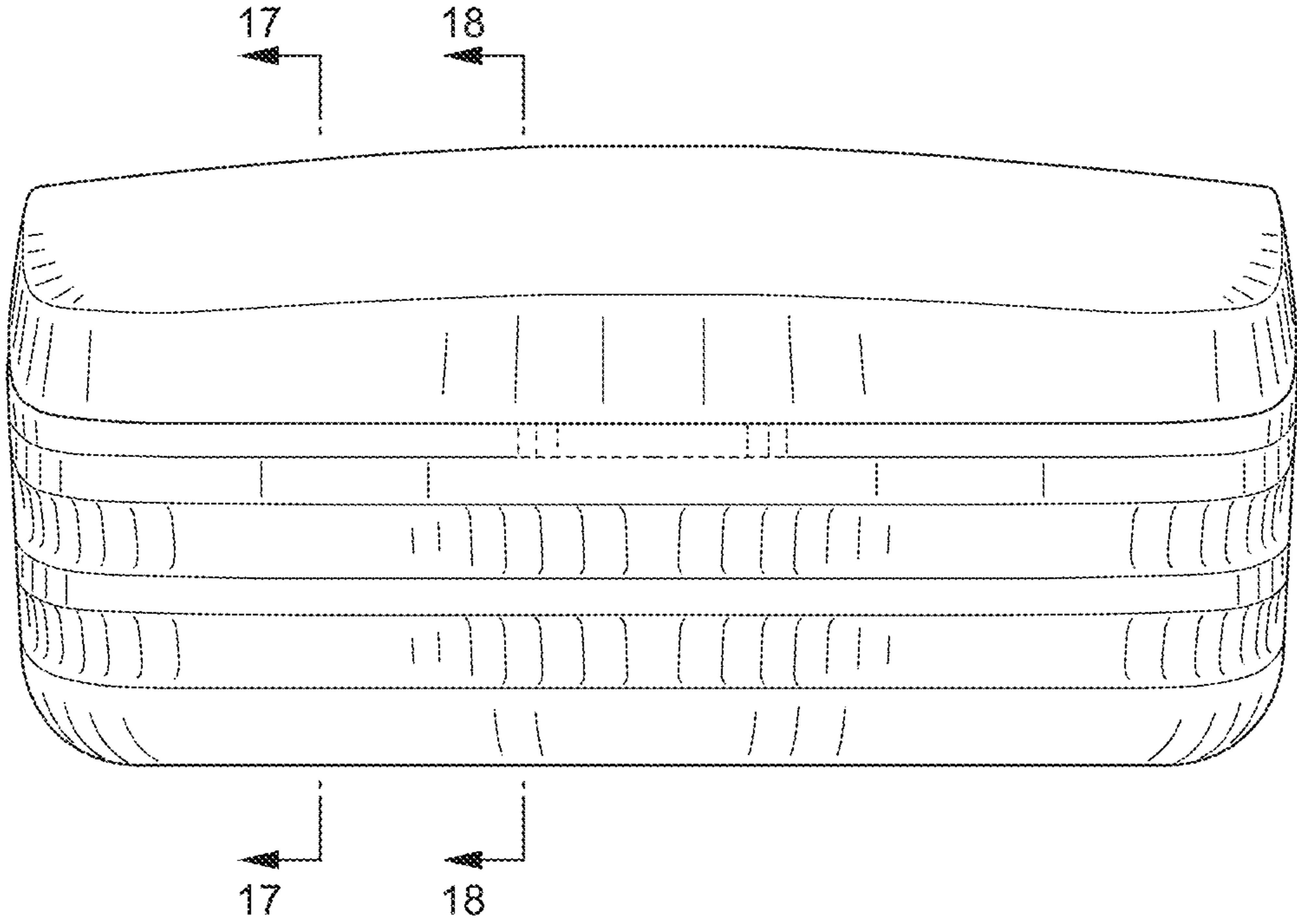


Fig.4

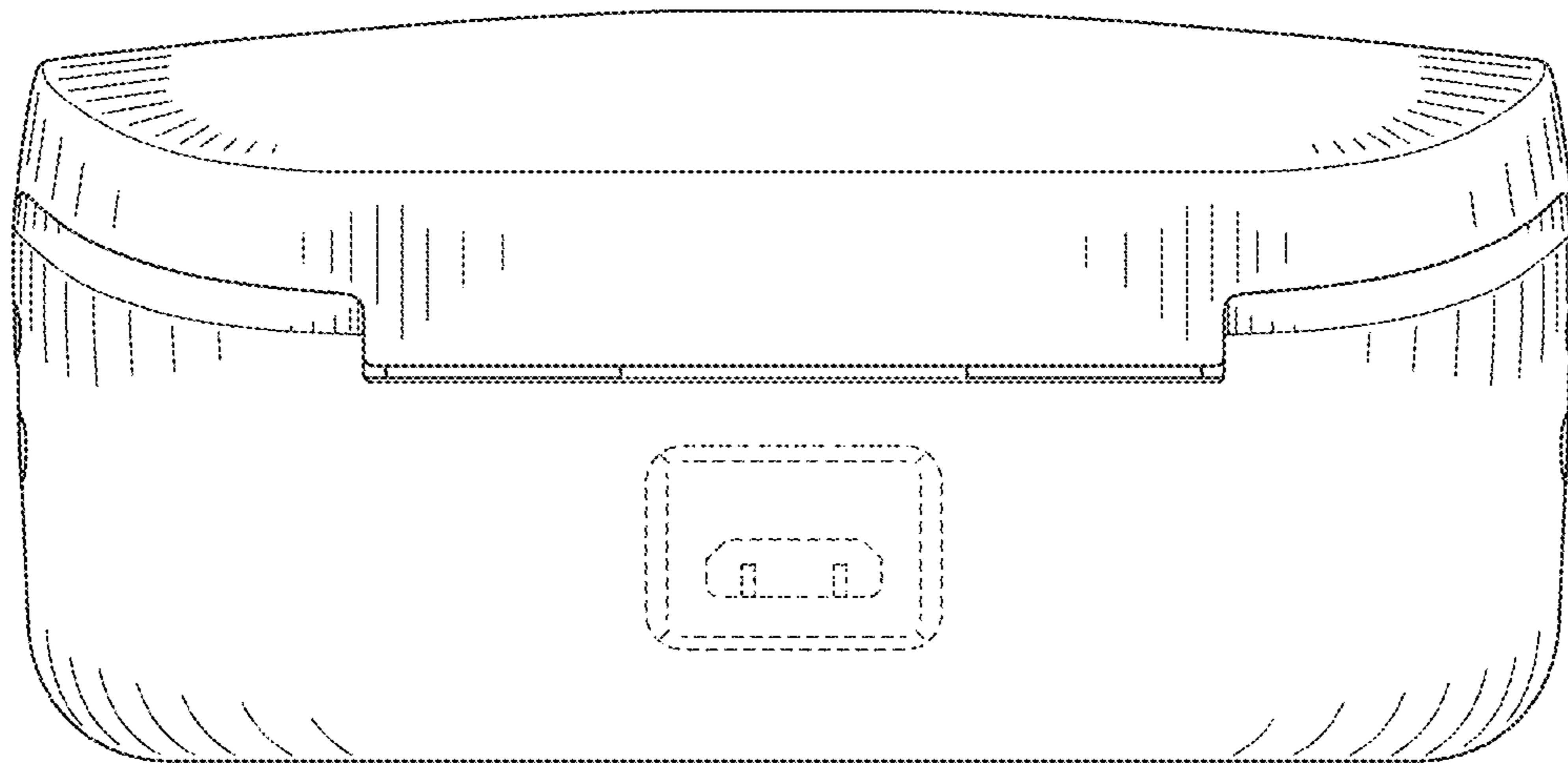


Fig.5

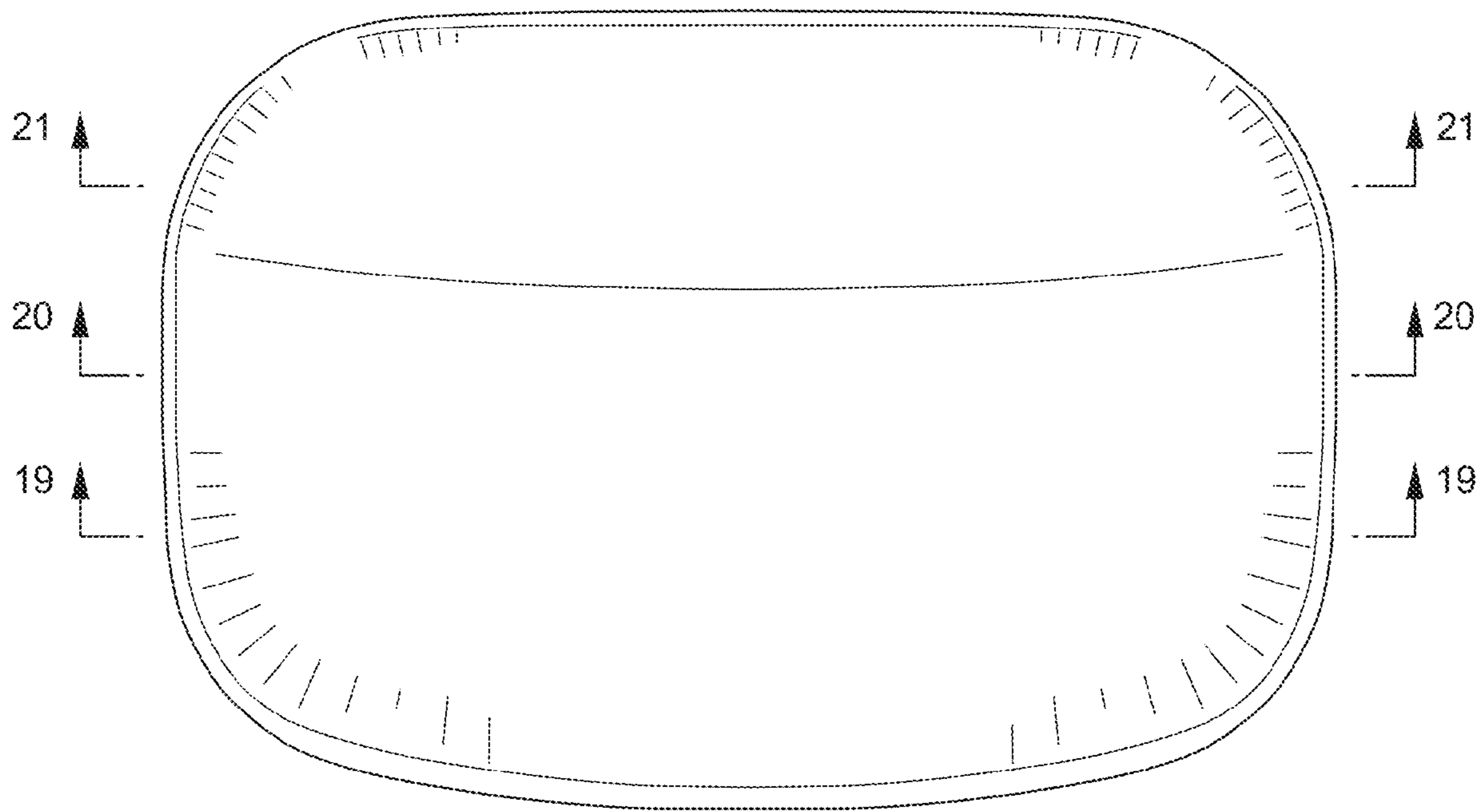


Fig.6

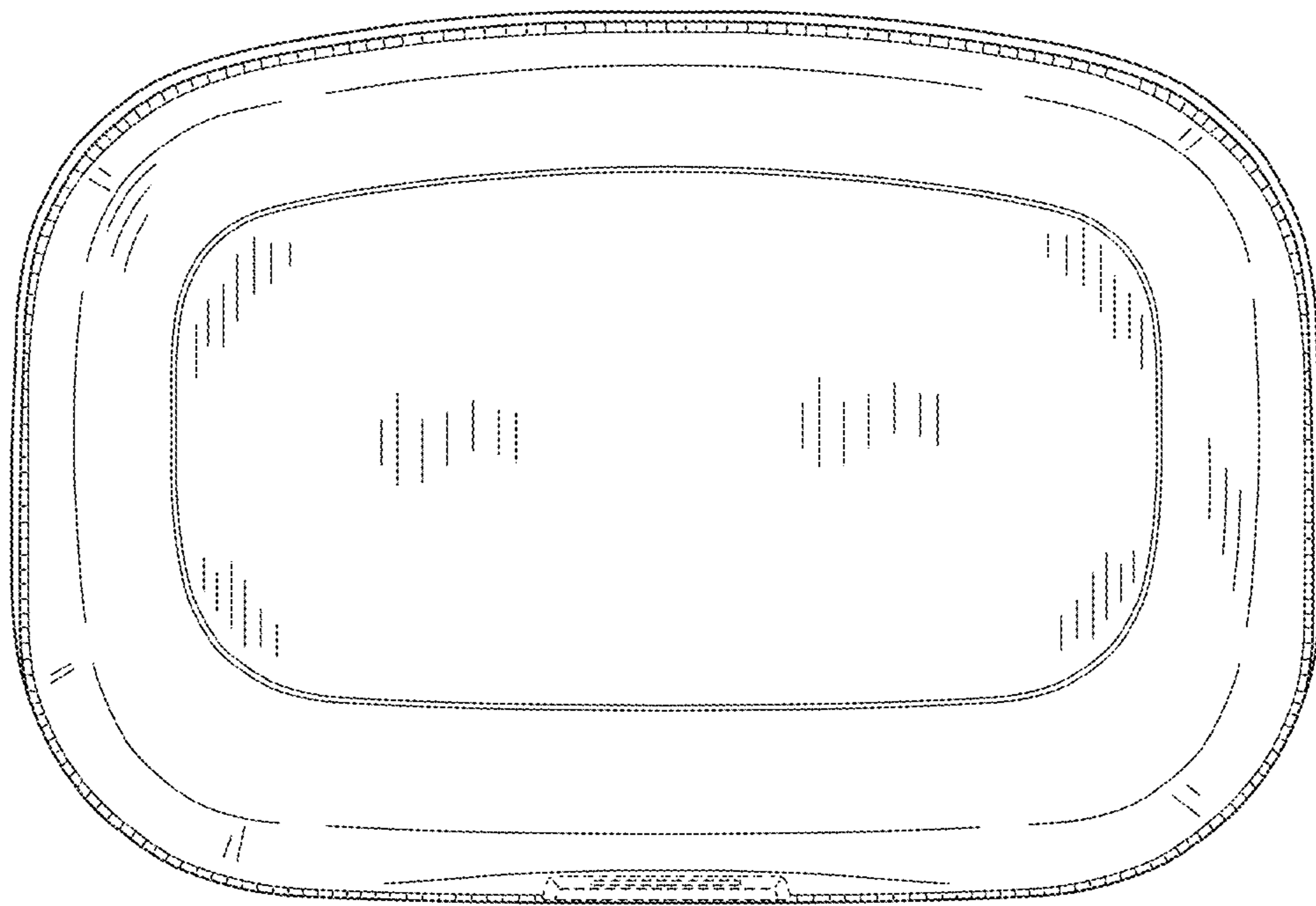


Fig.7

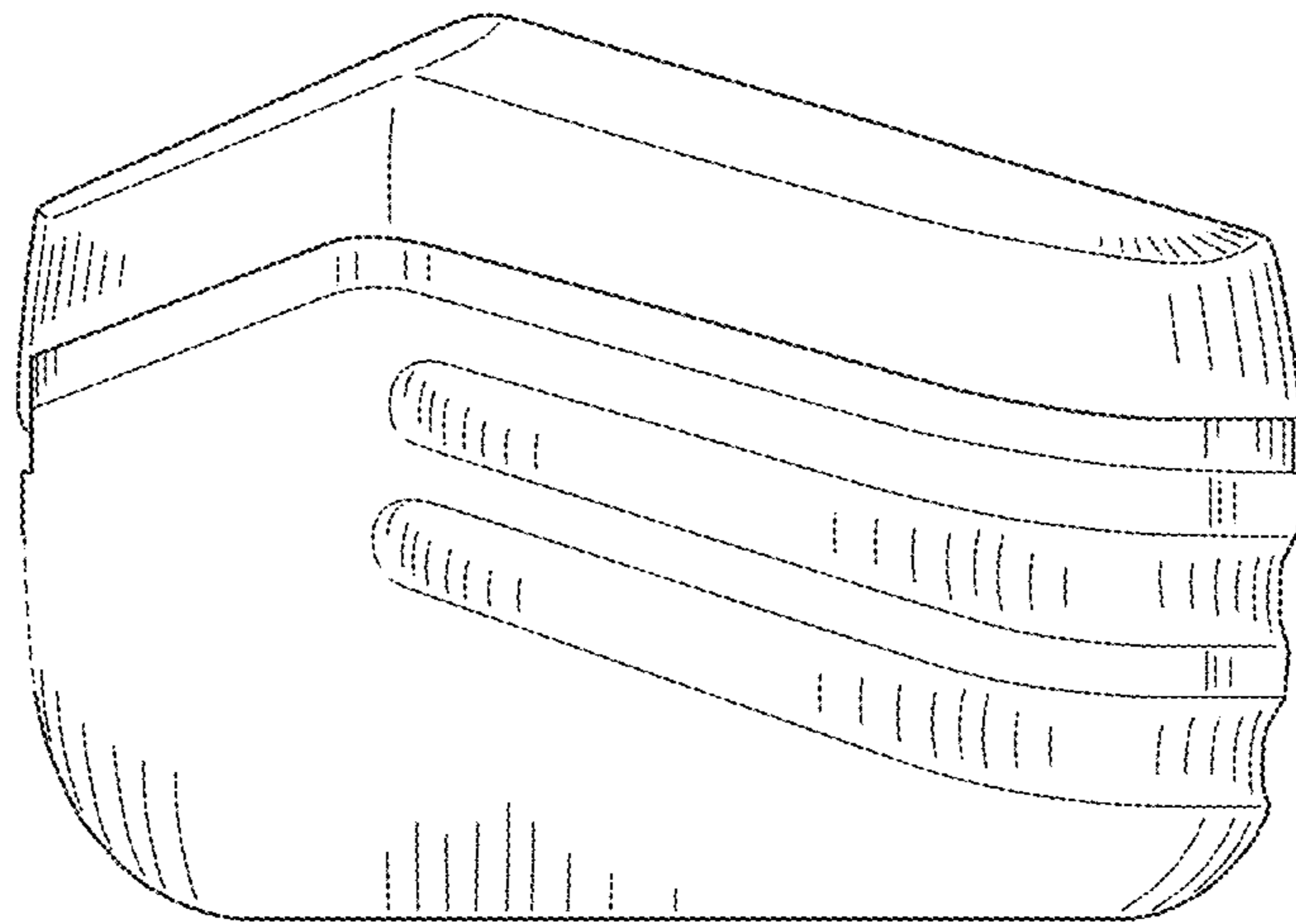


Fig.8

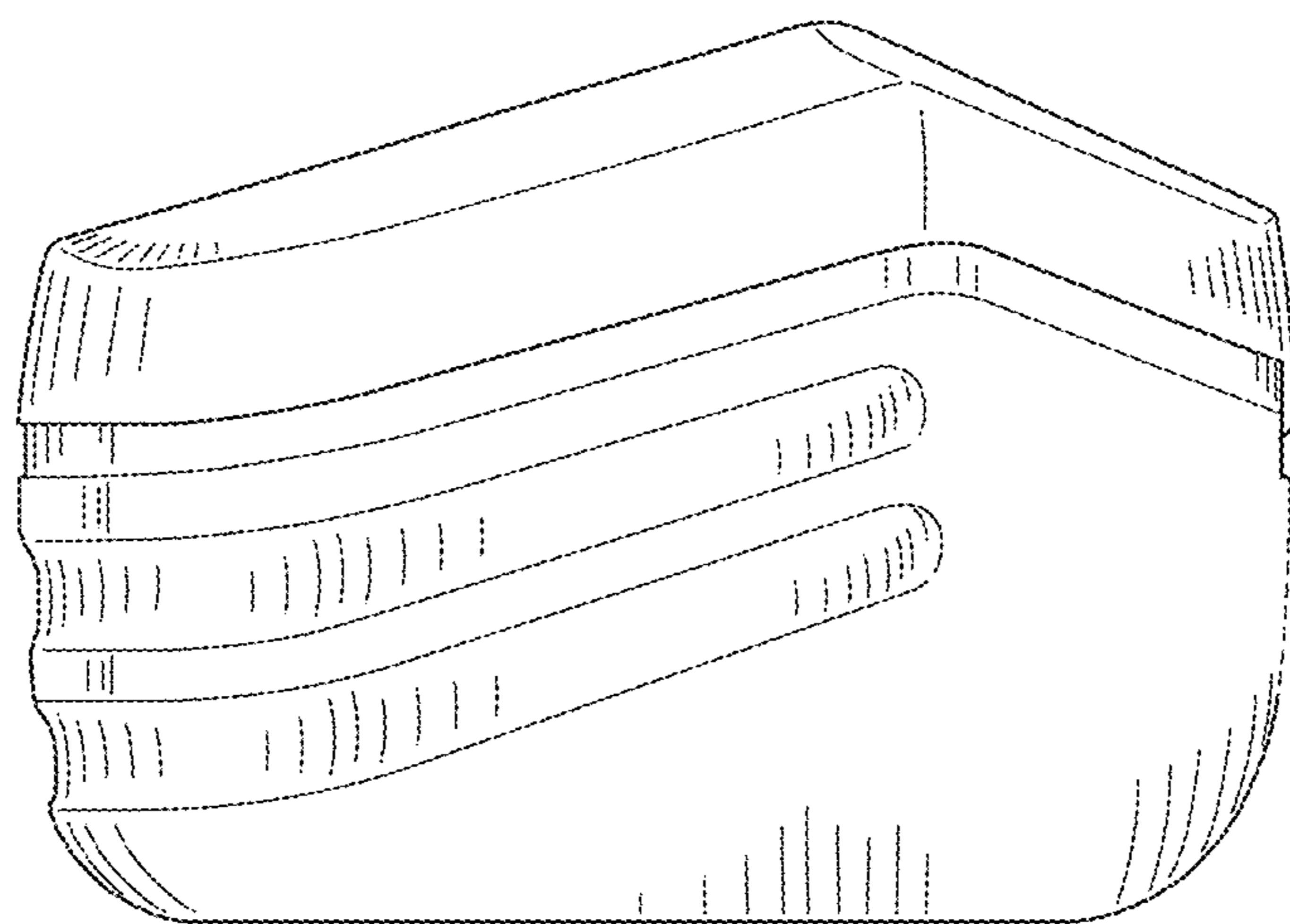


Fig.9

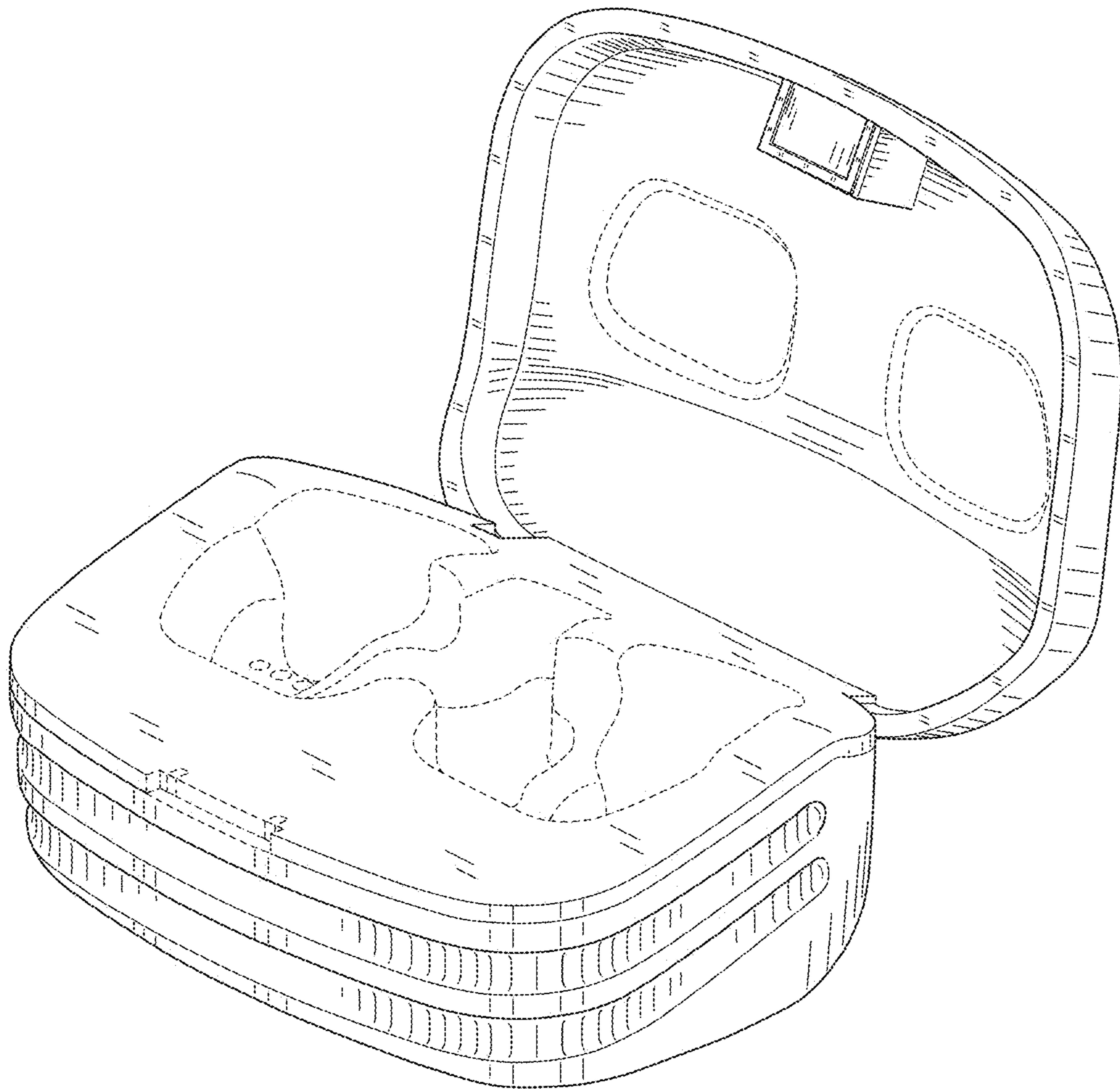


Fig.10

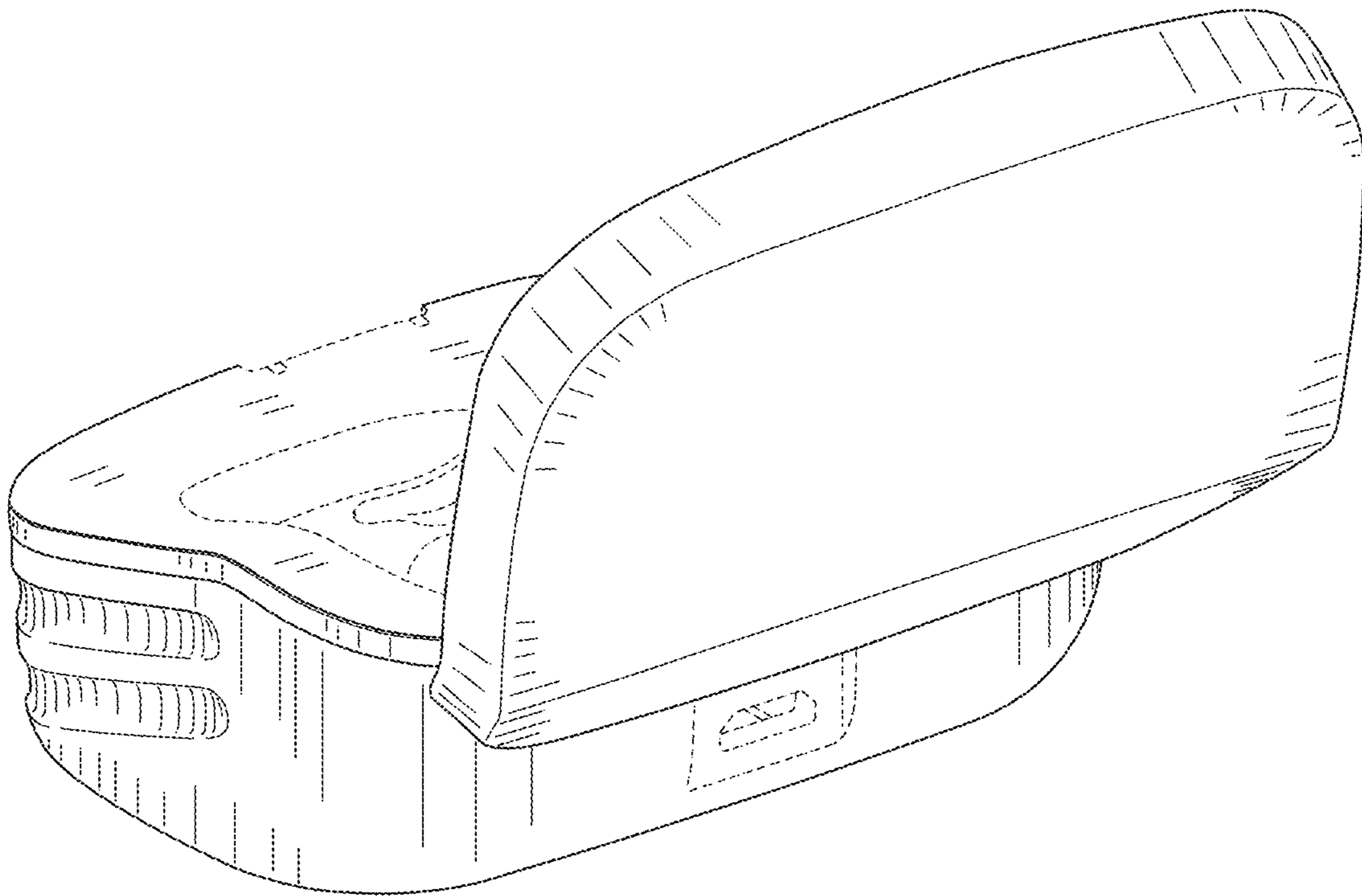


Fig.11

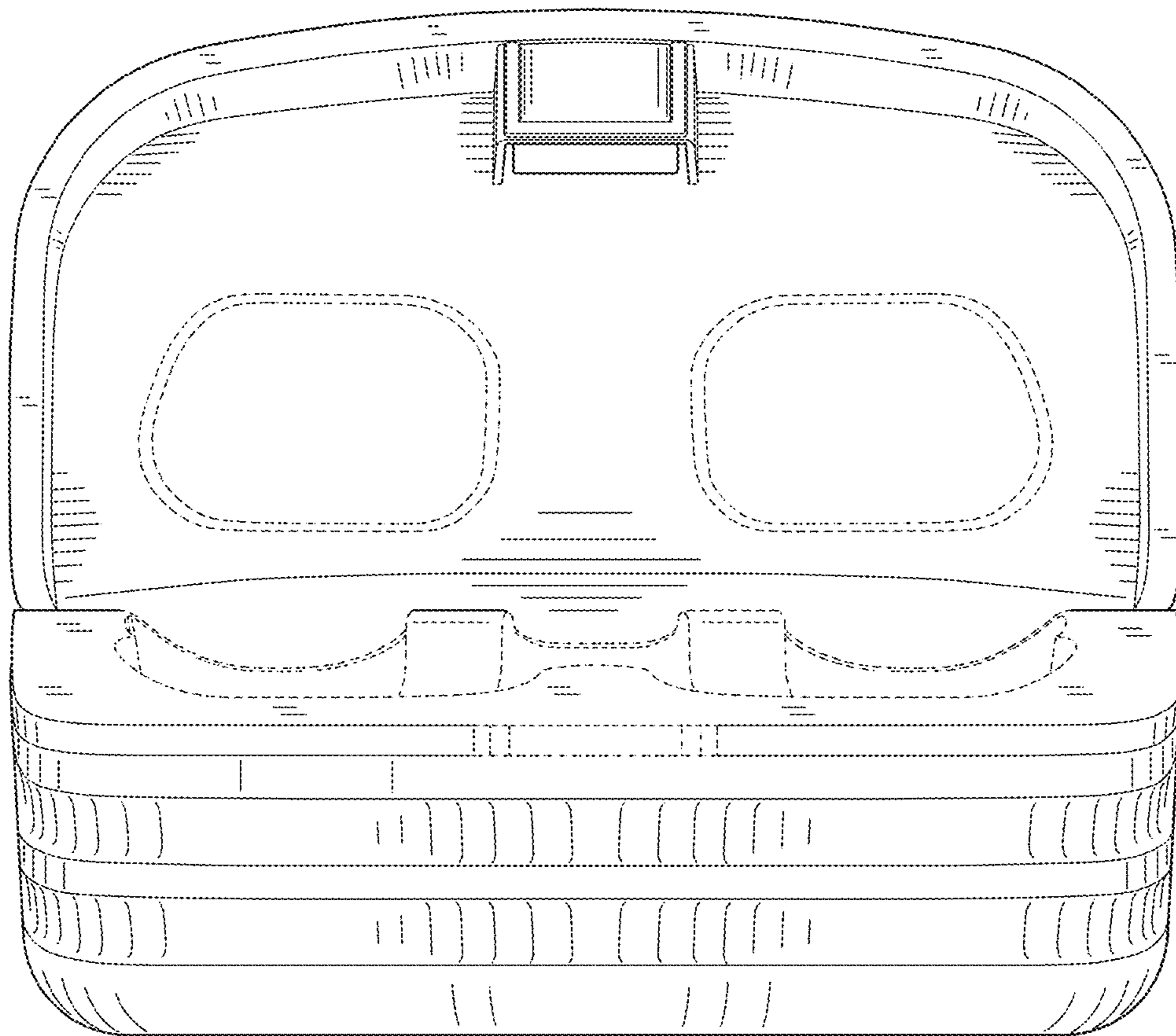


Fig.12

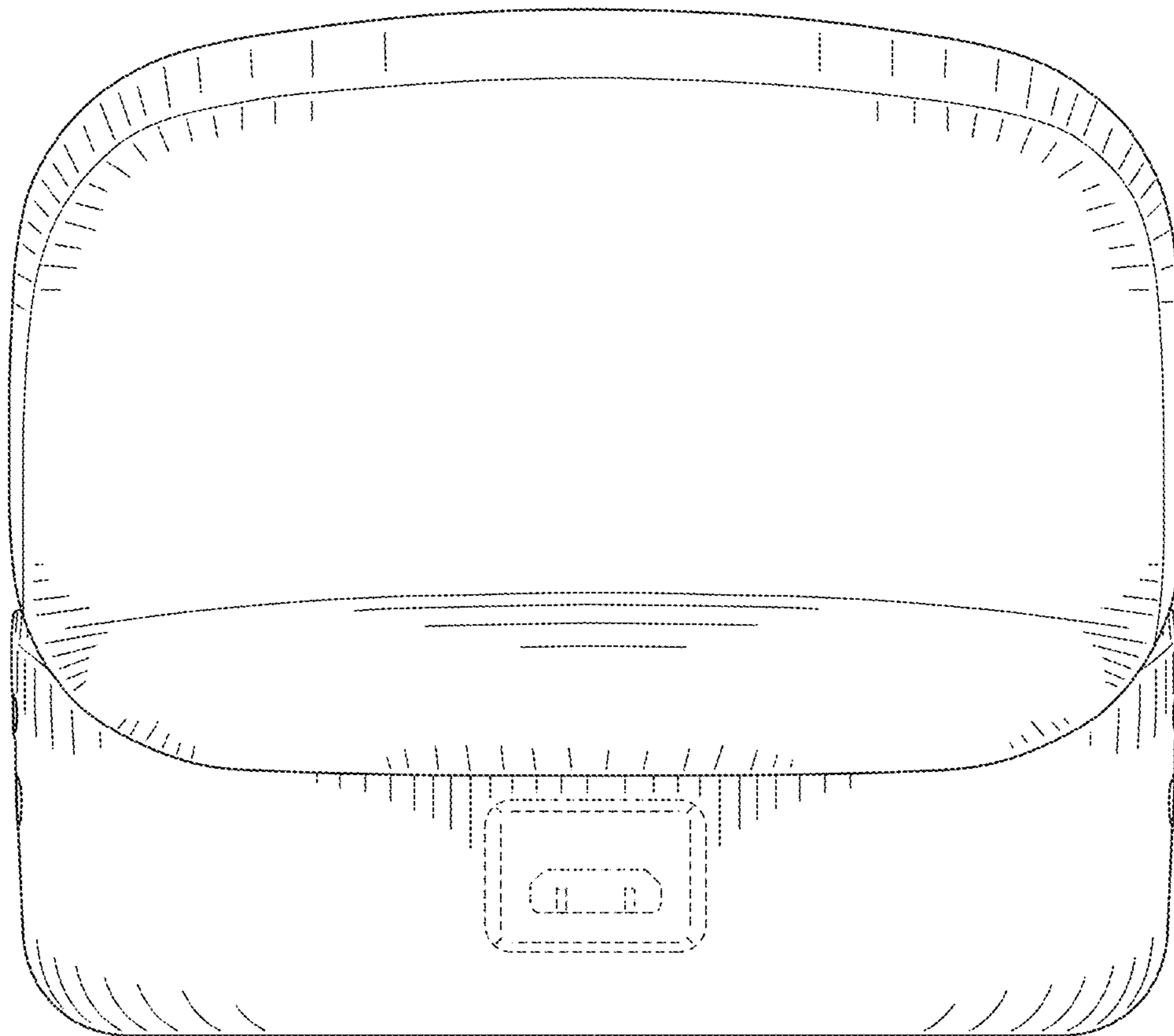


Fig. 13

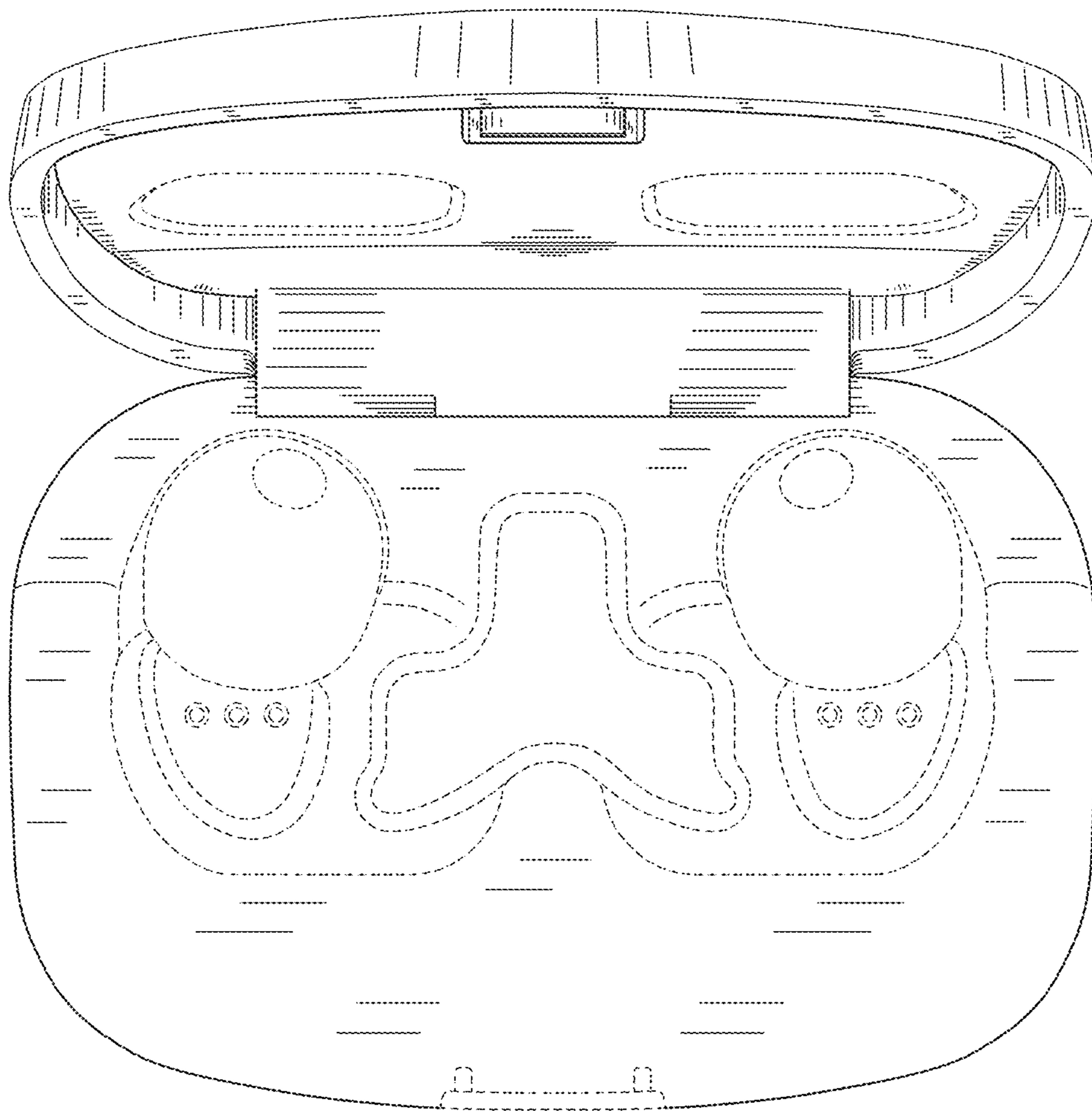


Fig.14

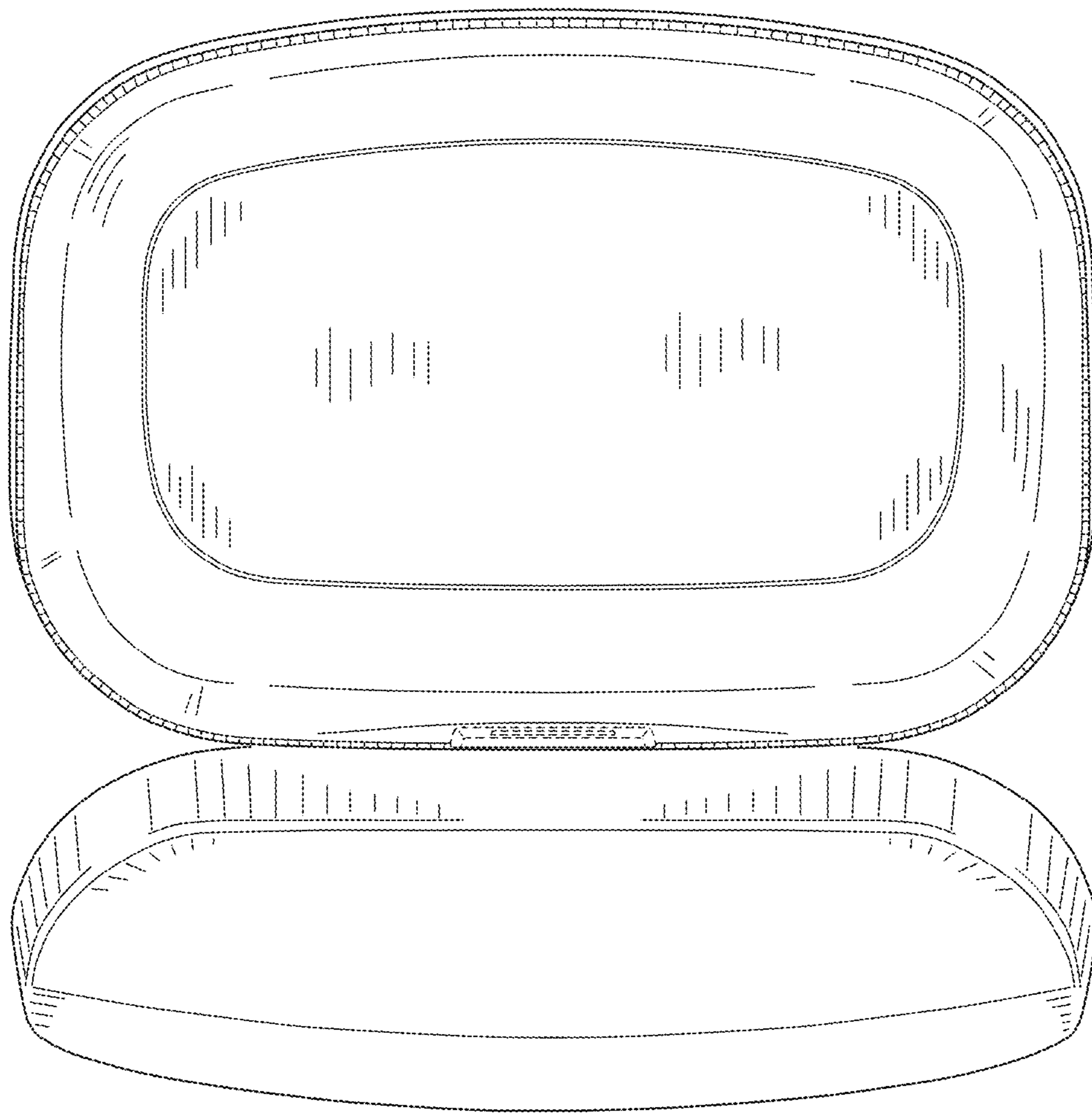


Fig. 15

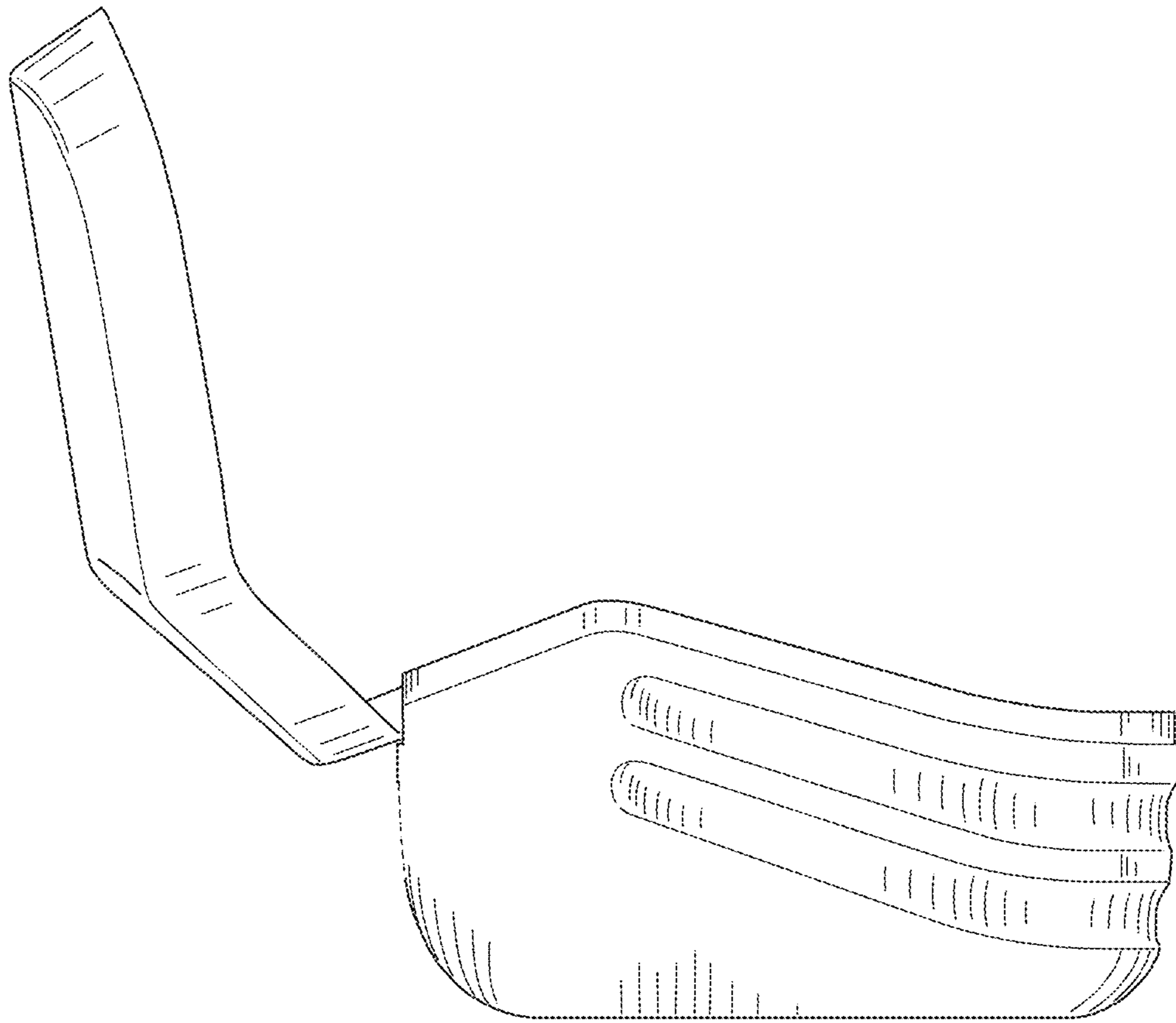


Fig.16

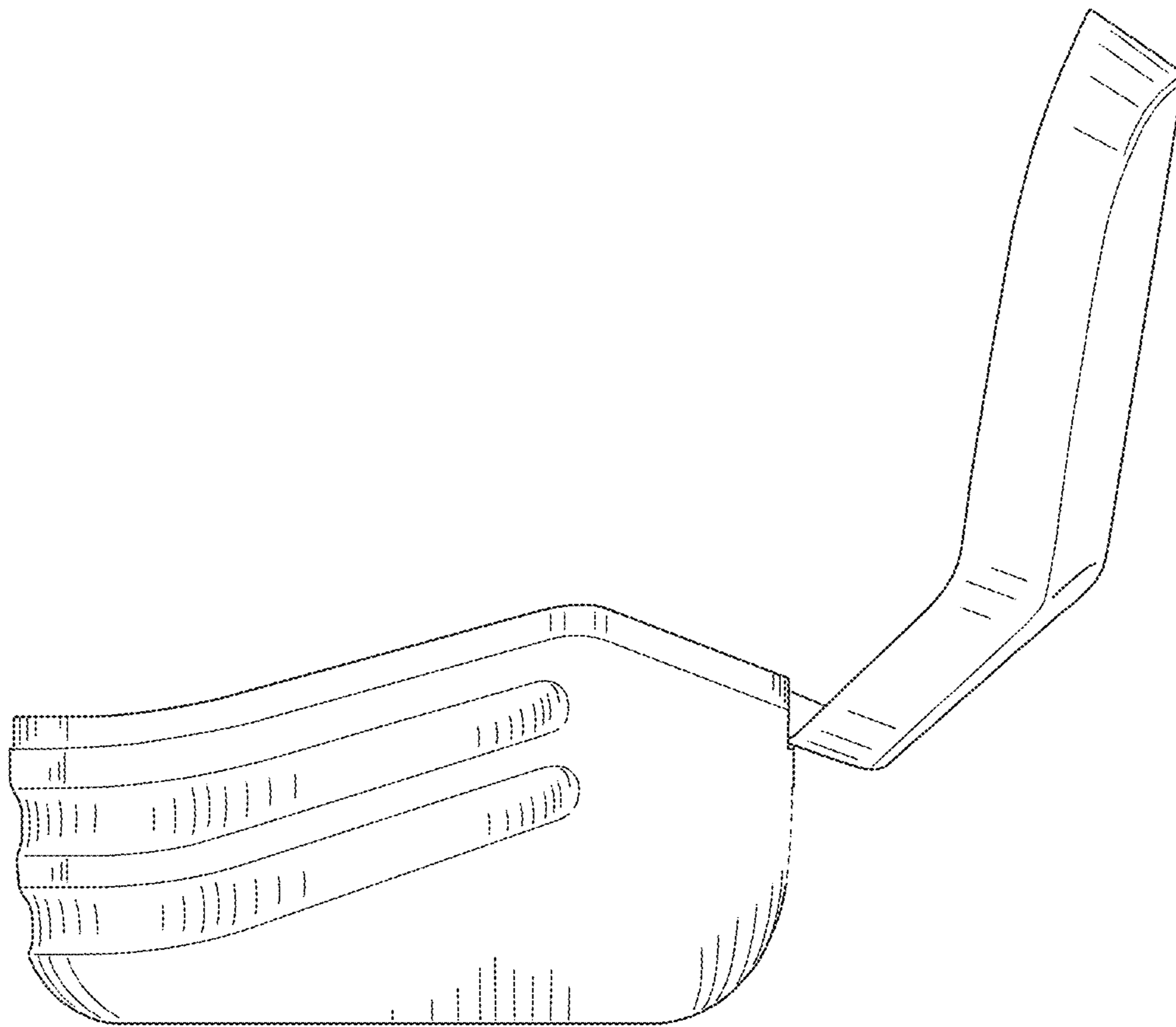


Fig.17

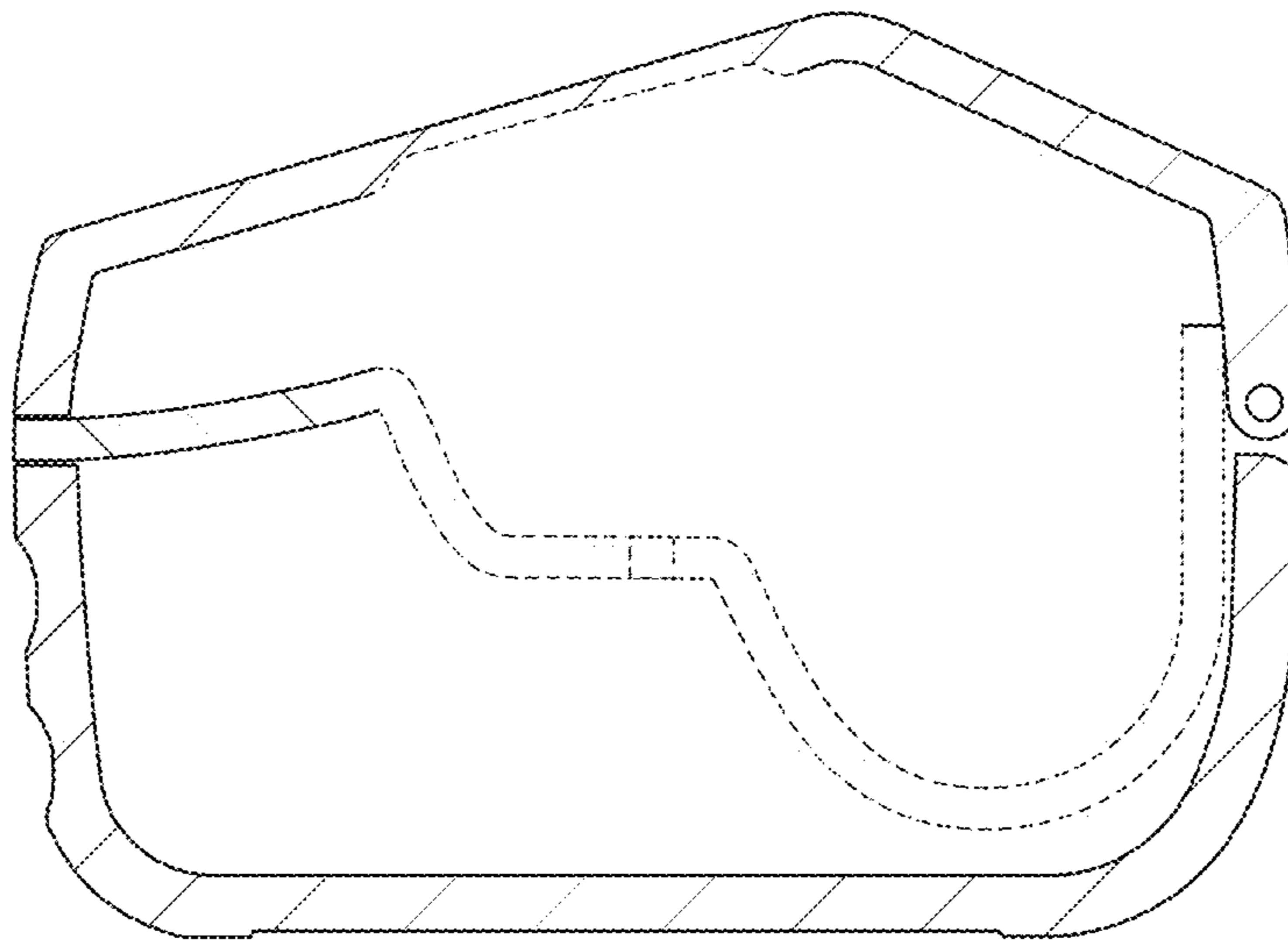


Fig.18

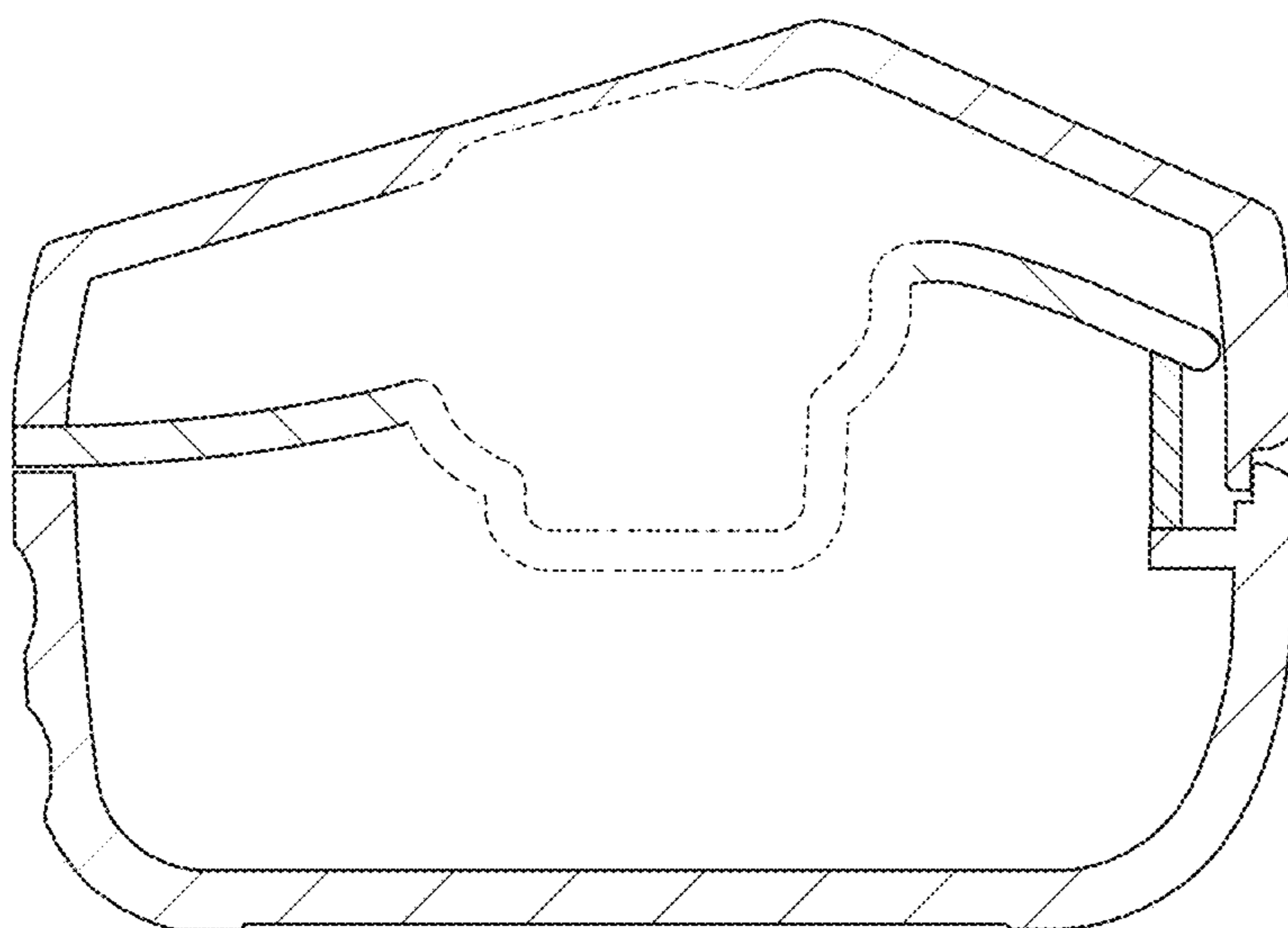


Fig.19

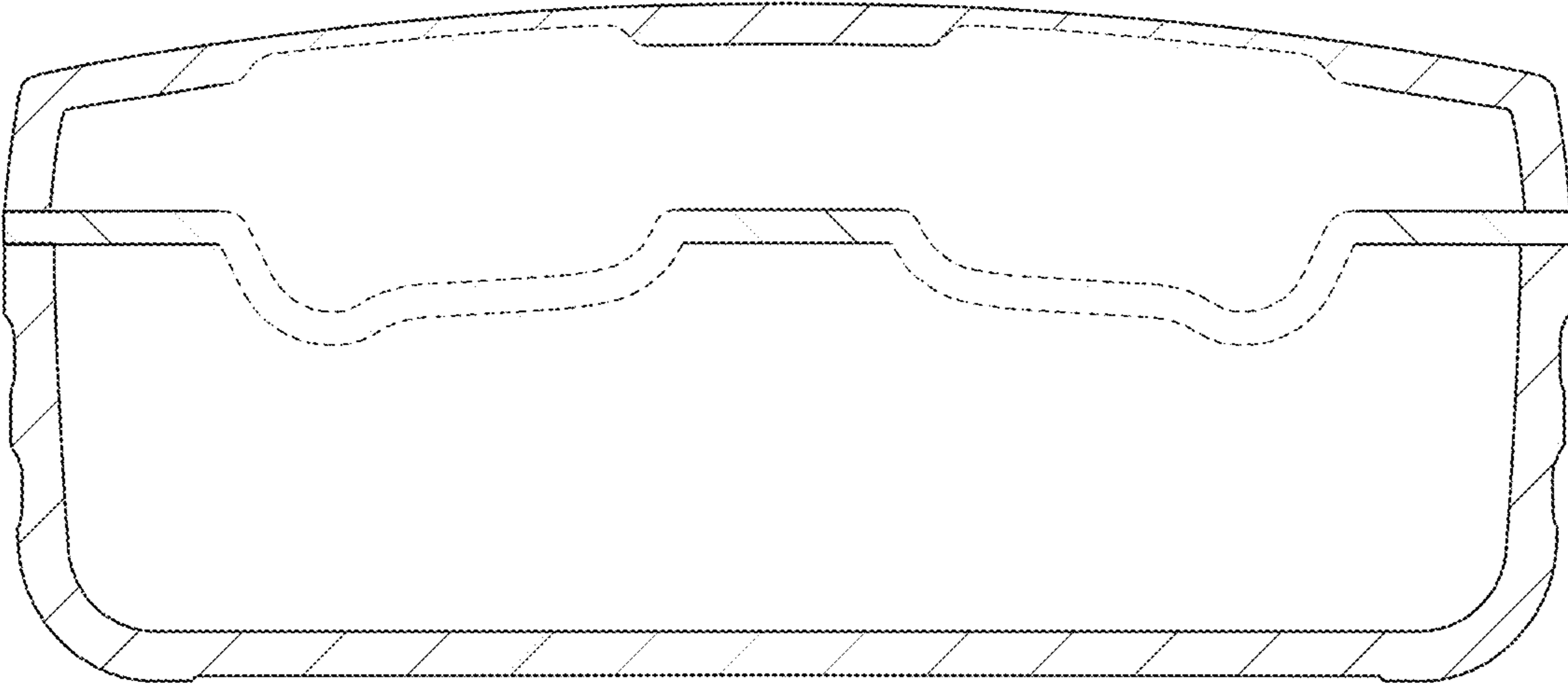


Fig.20

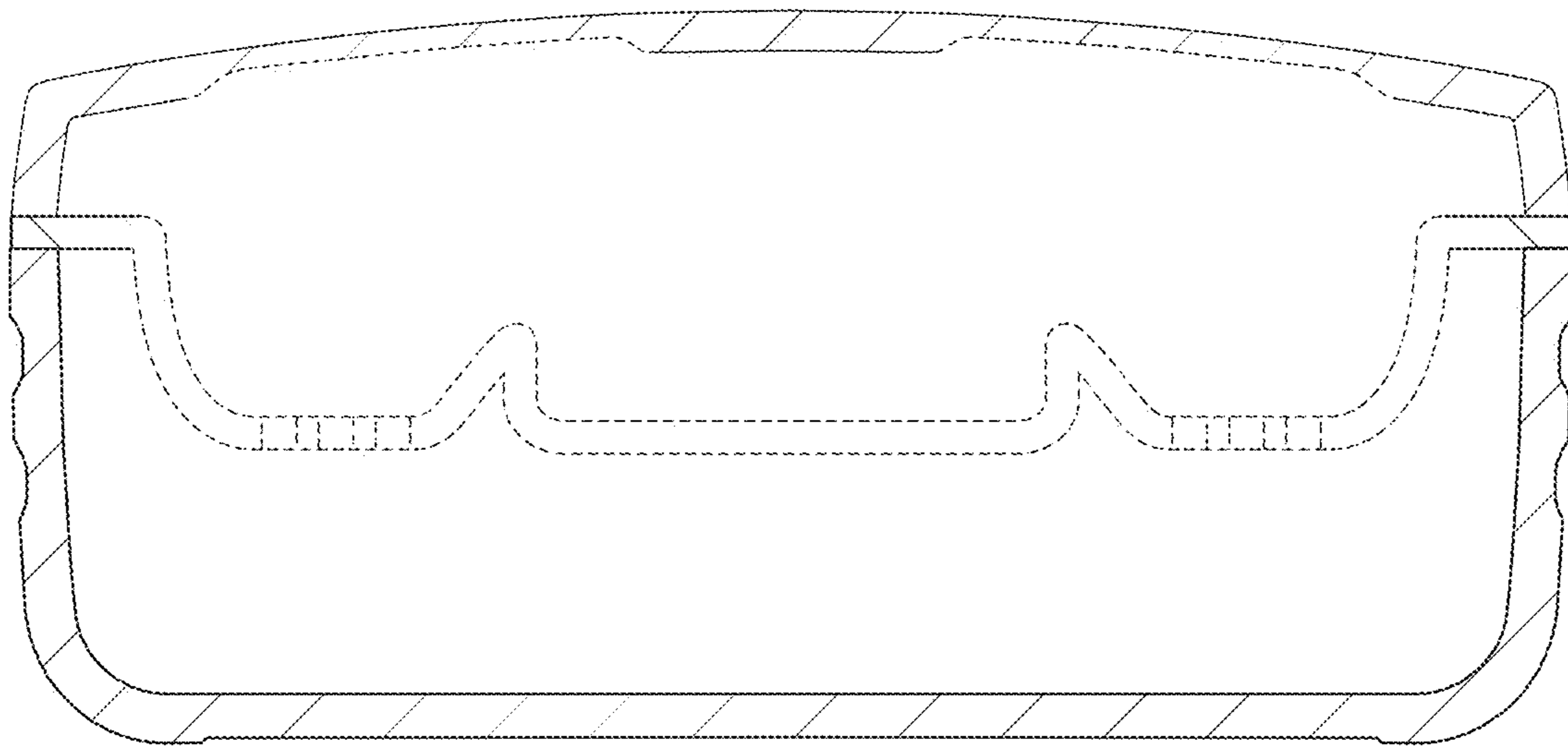


Fig.21

