



US00D947767S

(12) **United States Design Patent** (10) **Patent No.:** **US D947,767 S**
Sieckowski et al. (45) **Date of Patent:** **** Apr. 5, 2022**

(54) **CHARGING STATION**
(71) Applicant: **ZEBRA TECHNOLOGIES CORPORATION**, Lincolnshire, IL (US)
(72) Inventors: **Steven D. Sieckowski**, Port Jefferson, NY (US); **Man-Ching Yen**, Taipei (TW); **Brian M. Walters**, Nesconset, NY (US)
(73) Assignee: **Zebra Technologies Corporation**, Lincolnshire, IL (US)
(**) Term: **15 Years**
(21) Appl. No.: **29/725,028**
(22) Filed: **Feb. 21, 2020**
(51) **LOC (13) Cl.** **13-02**
(52) **U.S. Cl.**
USPC **D13/108**
(58) **Field of Classification Search**
USPC D13/107-110, 118, 119, 184, 199
CPC .. Y02E 60/12; H01R 13/6675; H01M 2/1022; H01M 2/1055; H01M 10/44; H01M 10/46; H01M 10/425; H02J 2001/008; H02J 3/32; H02J 3/008; H02J 7/0027; H02J 7/0013; H02J 7/0054; H02J 7/00; B60R 16/03
See application file for complete search history.

(56) **References Cited**
U.S. PATENT DOCUMENTS
D426,808 S * 6/2000 Hsiao D13/107
D455,397 S * 4/2002 Weiner D13/108
D516,023 S * 2/2006 Quinn D13/108
D535,615 S * 1/2007 Iwai D13/108
D551,617 S * 9/2007 Houghton D13/108
D588,985 S * 3/2009 O'Hern D13/107
D600,680 S * 9/2009 Mead D13/108
D605,588 S * 12/2009 Nomi D13/108
D606,491 S * 12/2009 Rosen D13/108

D608,732 S * 1/2010 Hillard D13/107
D621,347 S * 8/2010 Aulwes D13/108
D630,579 S * 1/2011 Fahrendorff D13/108
D637,155 S * 5/2011 Jeon D13/108
D638,020 S 5/2011 Johnson et al.
D673,498 S * 1/2013 Colle D13/108
D677,622 S * 3/2013 Cole D13/108
D697,476 S * 1/2014 Jeong D13/108
D707,624 S * 6/2014 Morrison D13/108
D736,707 S 8/2015 Kaminsky et al.
D759,588 S * 6/2016 De Klein D13/108
D781,784 S * 3/2017 Dingle D13/108
D817,872 S * 5/2018 Oguchi D13/107
D835,576 S 12/2018 Jenkins et al.
(Continued)

OTHER PUBLICATIONS

Insight.com: Zebra CS60—Standard Cradle—barcode scanner. Publish date of Apr. 23, 2021. Retrieved from the internet at https://www.insight.com/en_US/shop/product/CS6080-SR400004SVW/ZEBRA+TECHNOLOGY/CS6080-SR400004SVW/Zebra-CS60---Standard-Cradle---barcode-scanner/, Apr. 23, 2021. 1 page. (Year: 2021).*

Primary Examiner — Christy Nemeth

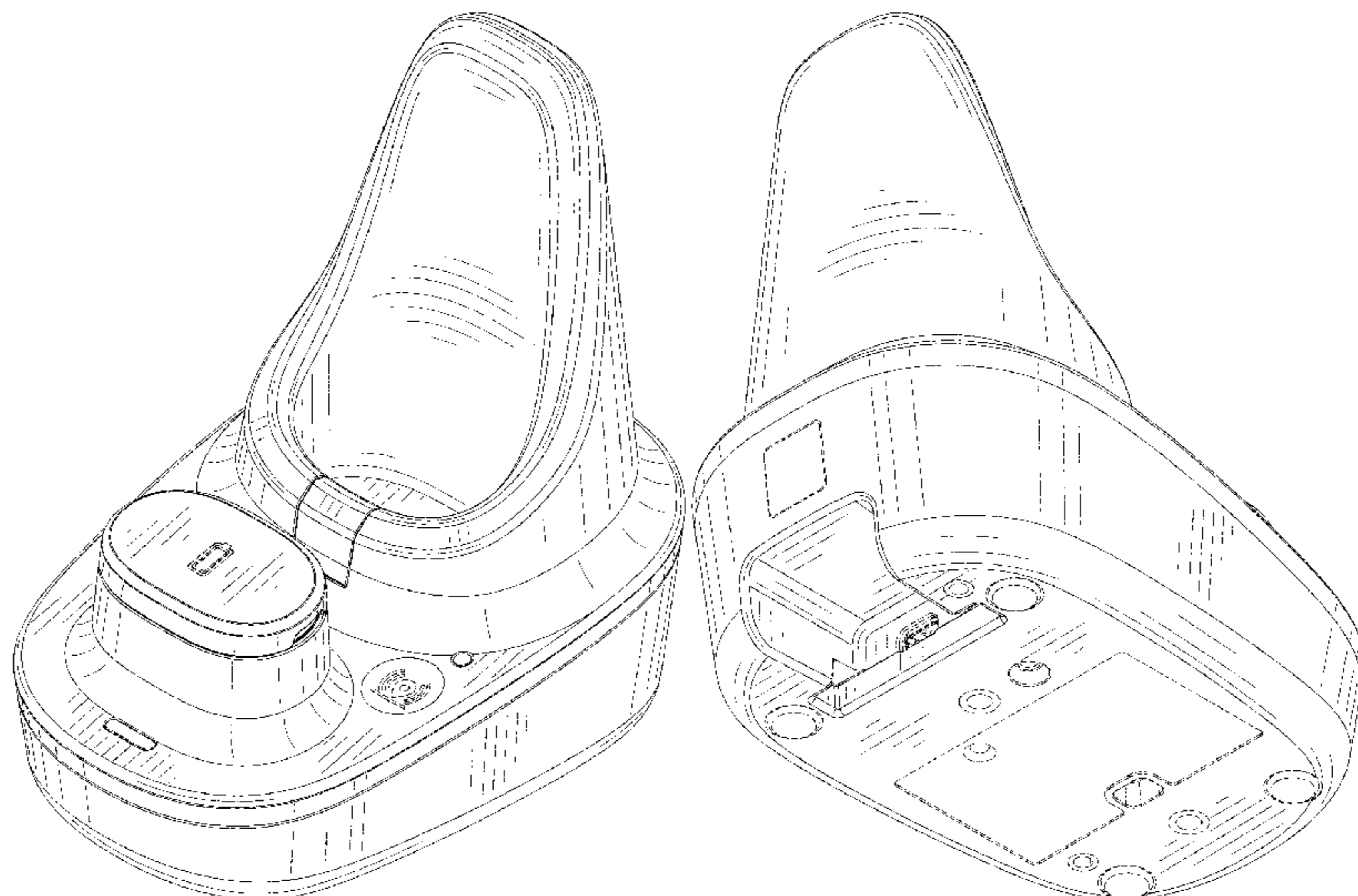
(57) **CLAIM**

We claim the ornamental design for a charging station, as shown and described.

DESCRIPTION

FIG. 1 is a first perspective view of a charging station; FIG. 2 is a second perspective view thereof; FIG. 3 is a front view thereof; FIG. 4 is a rear view thereof; FIG. 5 is a first side view thereof; FIG. 6 is a second side view thereof; FIG. 7 is a top view thereof; and, FIG. 8 is a bottom view thereof. The broken lines in the drawings illustrate portions of the article that form no part of the claimed design.

1 Claim, 8 Drawing Sheets



(56)

References Cited

U.S. PATENT DOCUMENTS

D835,611	S	*	12/2018	Yun	D14/224
D867,987	S	*	11/2019	Mi	D13/108
D875,676	S	*	2/2020	Segev	D13/108
D876,442	S	*	2/2020	McCracken	H04R 5/04 D14/434
D878,085	S	*	3/2020	Werner	D6/526
D880,419	S	*	4/2020	Hernandez	D13/108
D890,090	S	*	7/2020	Hernandez	D13/108
10,714,953	B1	*	7/2020	Solana	H02J 7/0044
D892,042	S	*	8/2020	Hernandez	D13/108
D896,175	S	*	9/2020	Staffl	D13/108
D897,947	S	*	10/2020	Gong	D13/107
D904,293	S	*	12/2020	Wersland	D13/107
D904,296	S	*	12/2020	Ruiz Hernandez	D13/108
D907,575	S	*	1/2021	Xu	D13/108
D908,963	S	*	1/2021	Lambrecht	D28/52
D915,275	S	*	4/2021	Wersland	D13/108
D916,014	S	*	4/2021	Wersland	D13/108
2019/0334358	A1	*	10/2019	Fountain	H01M 50/209

* cited by examiner

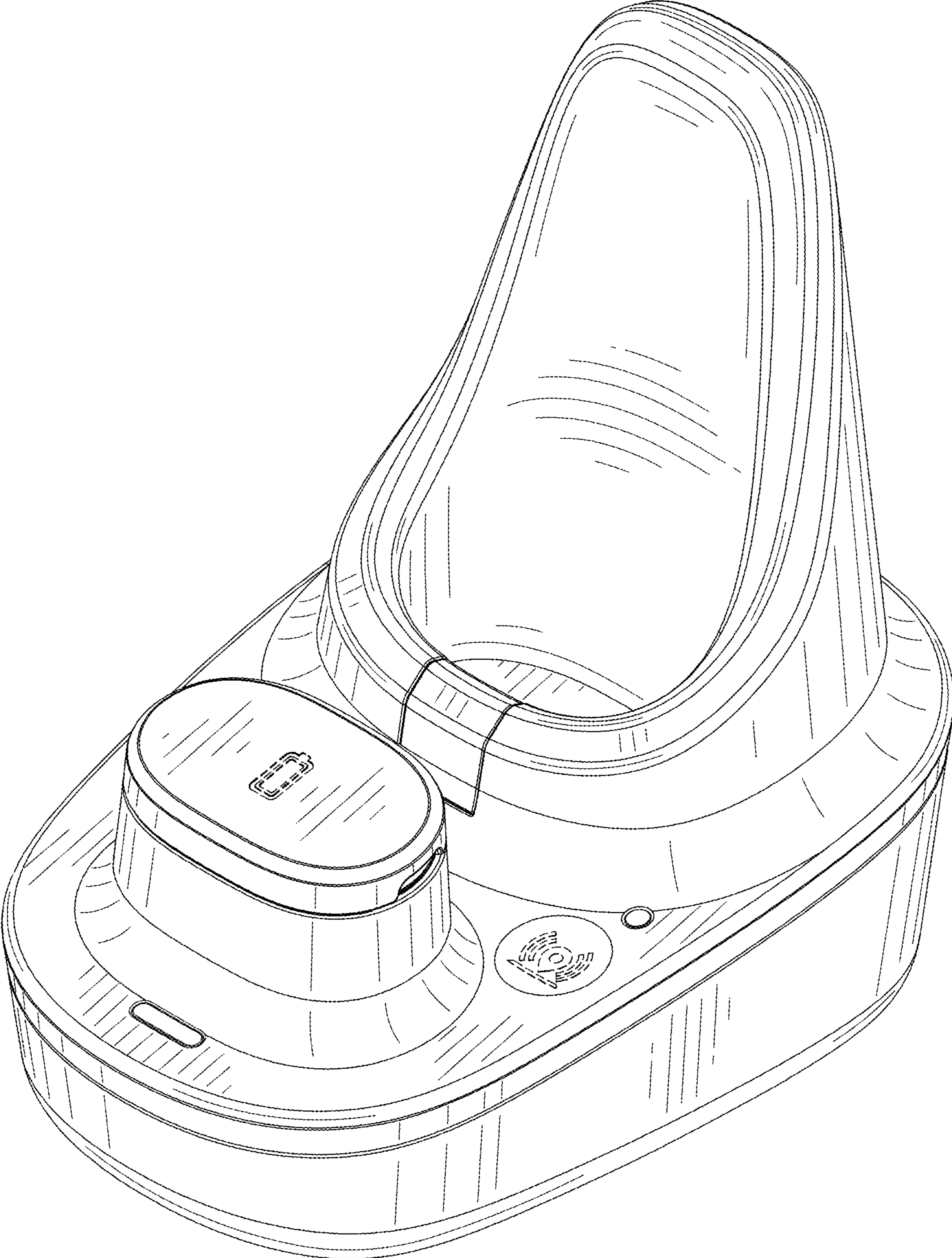


FIG. 1

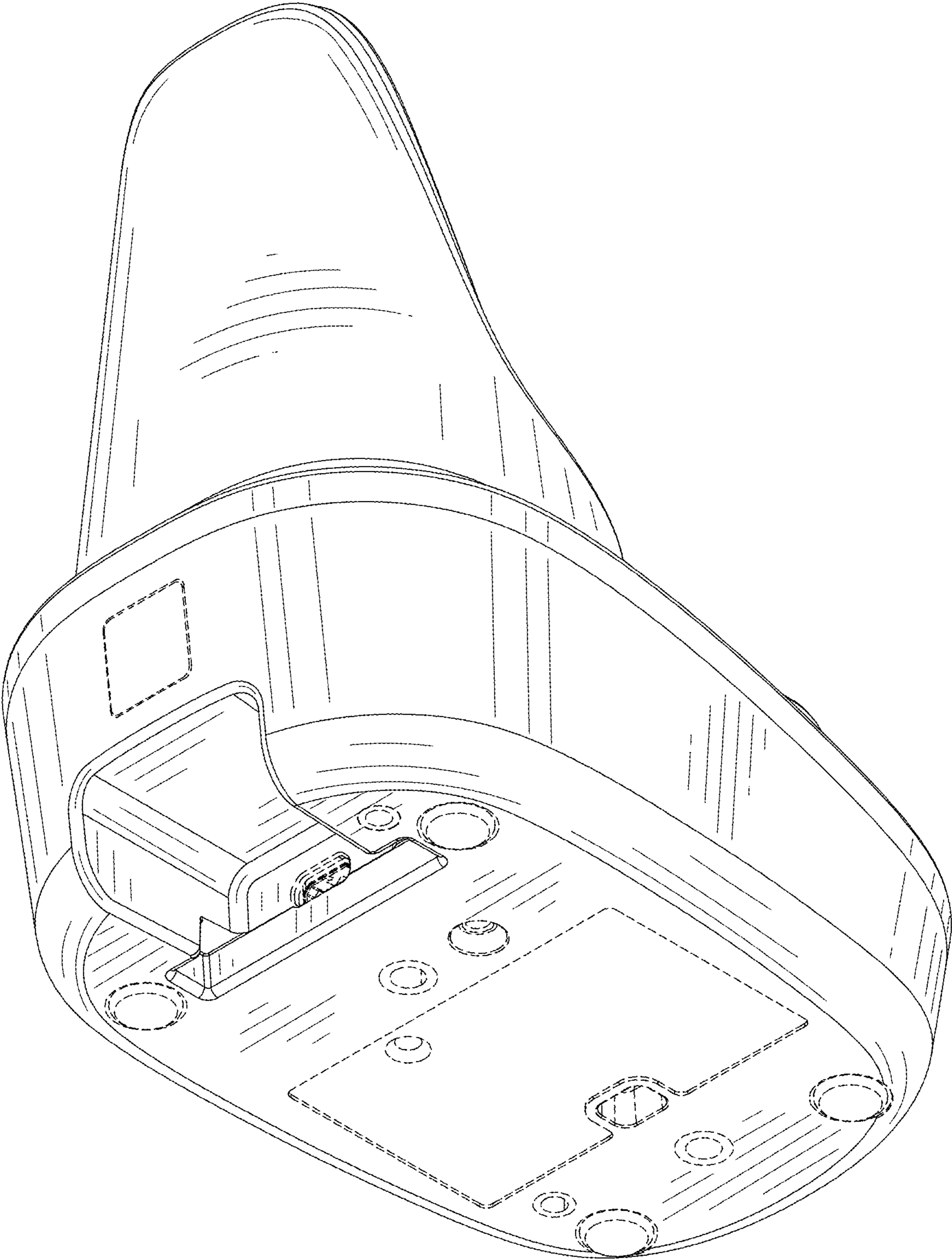


FIG. 2

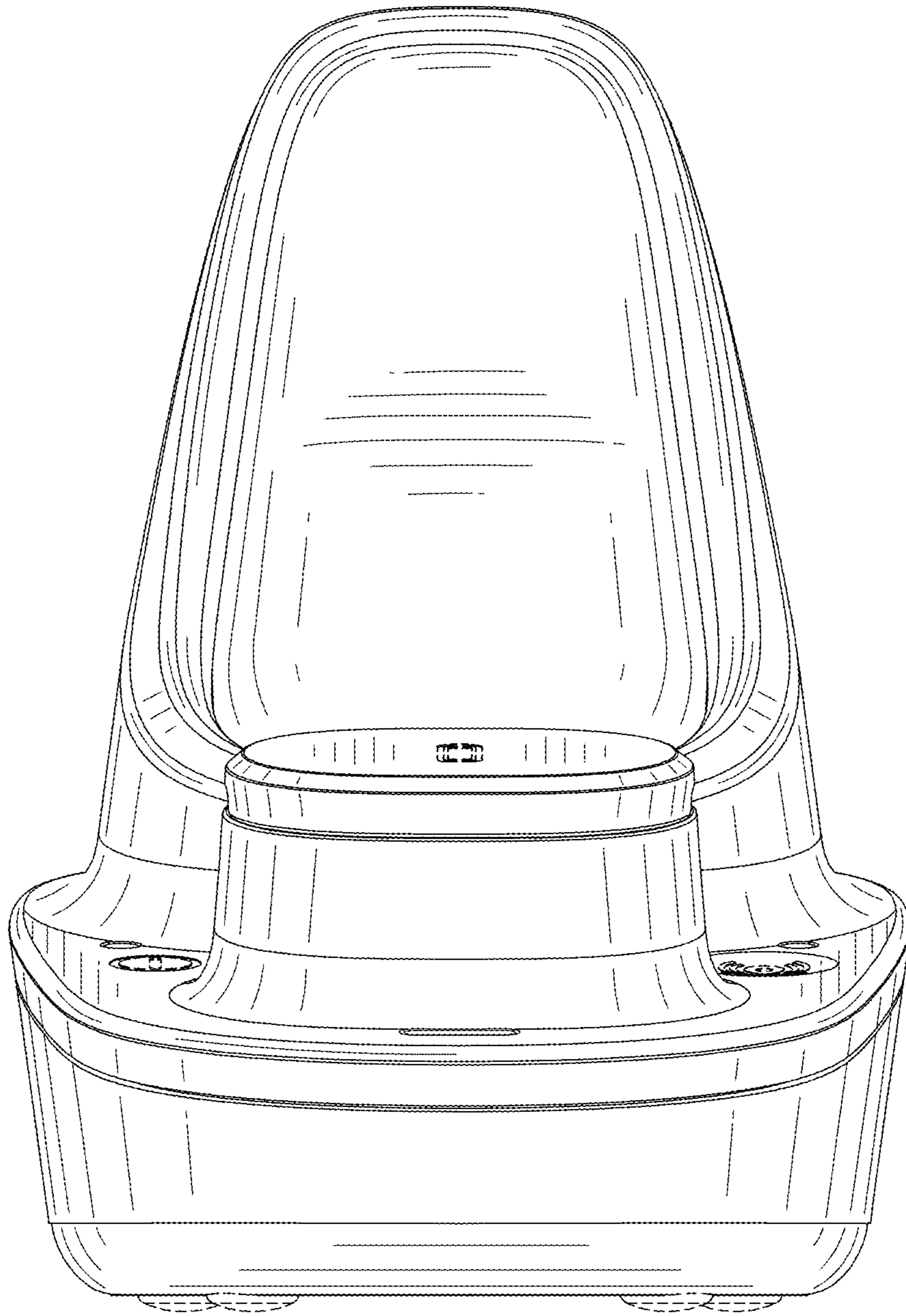


FIG. 3

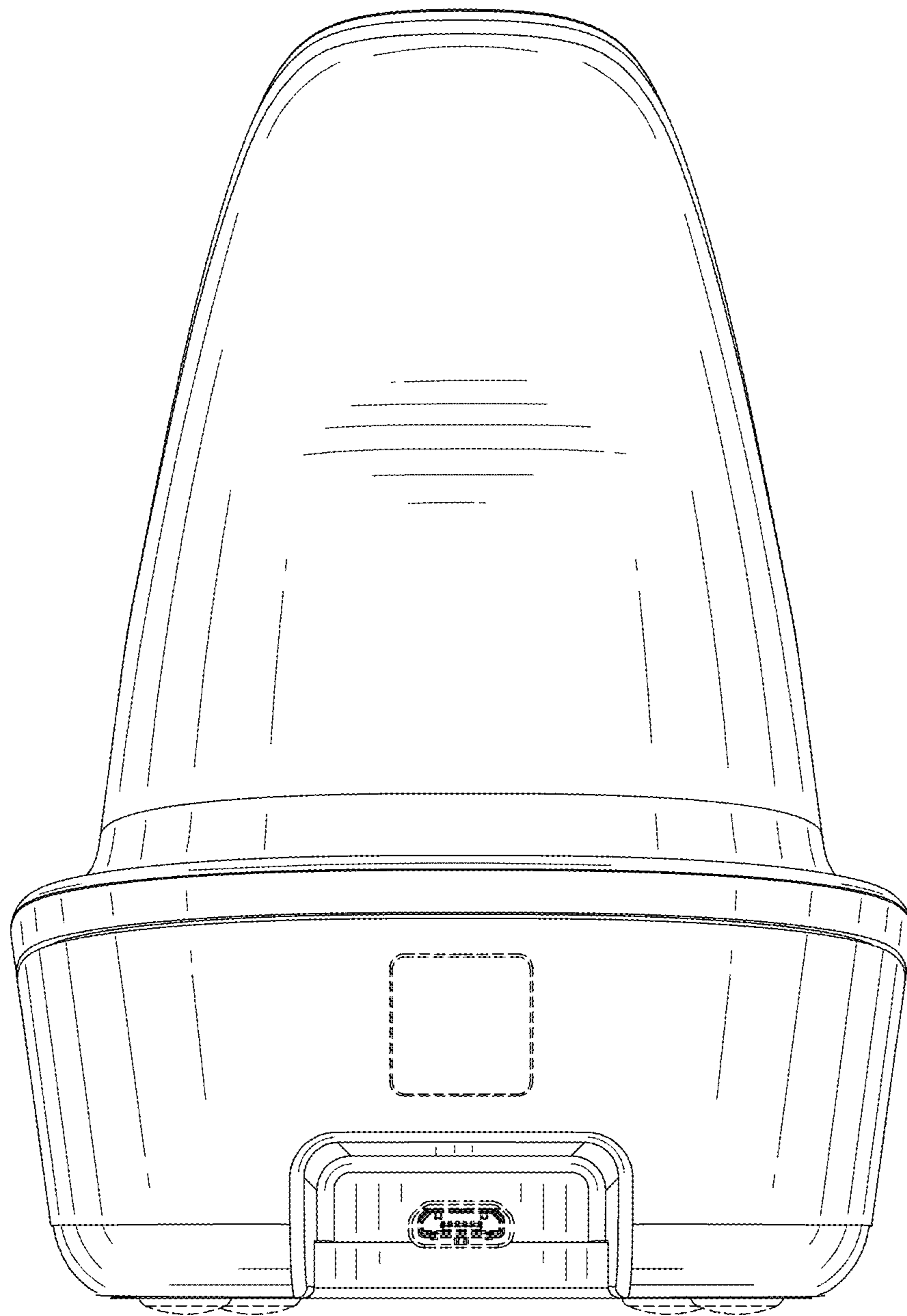


FIG. 4

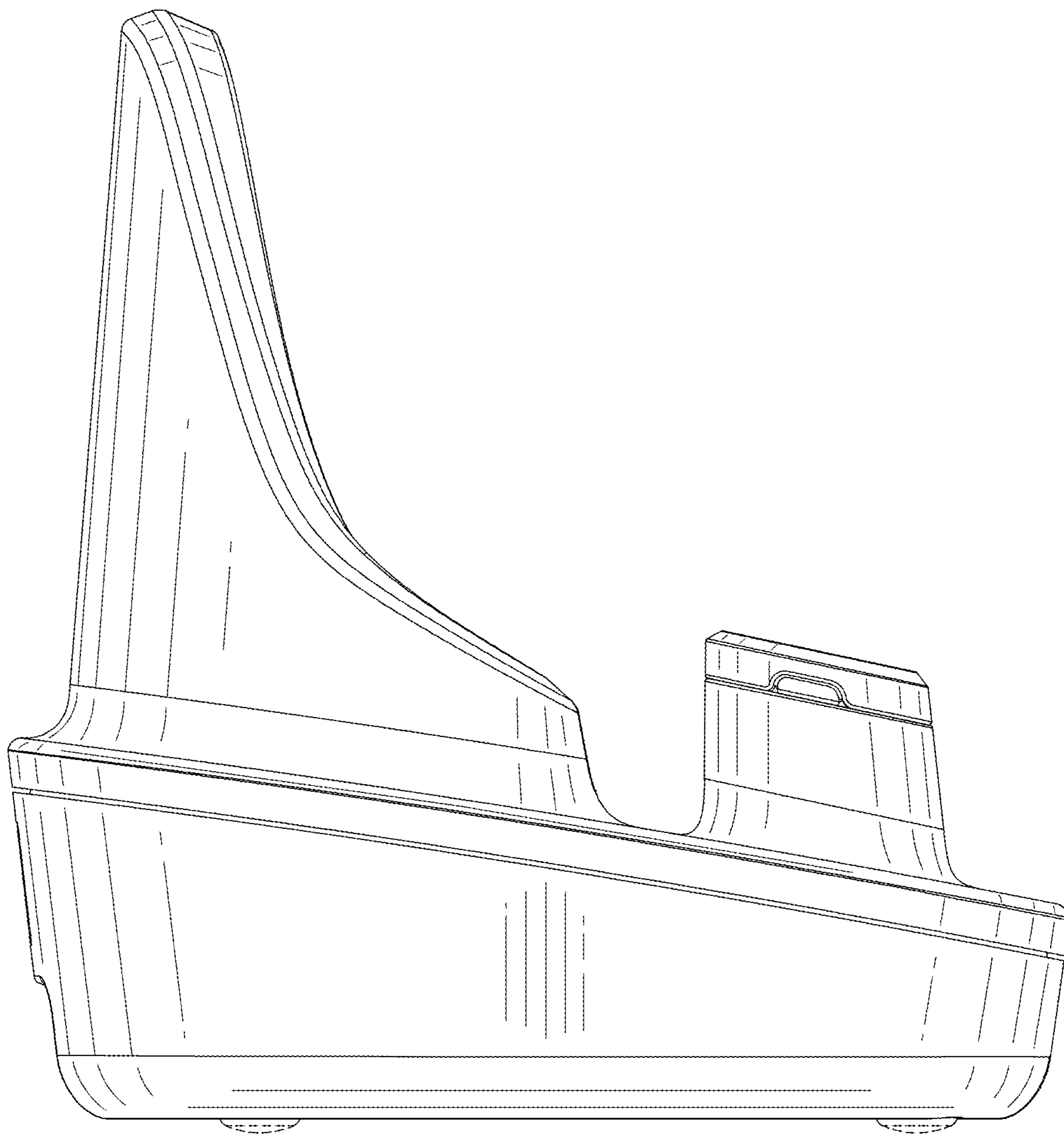


FIG. 5

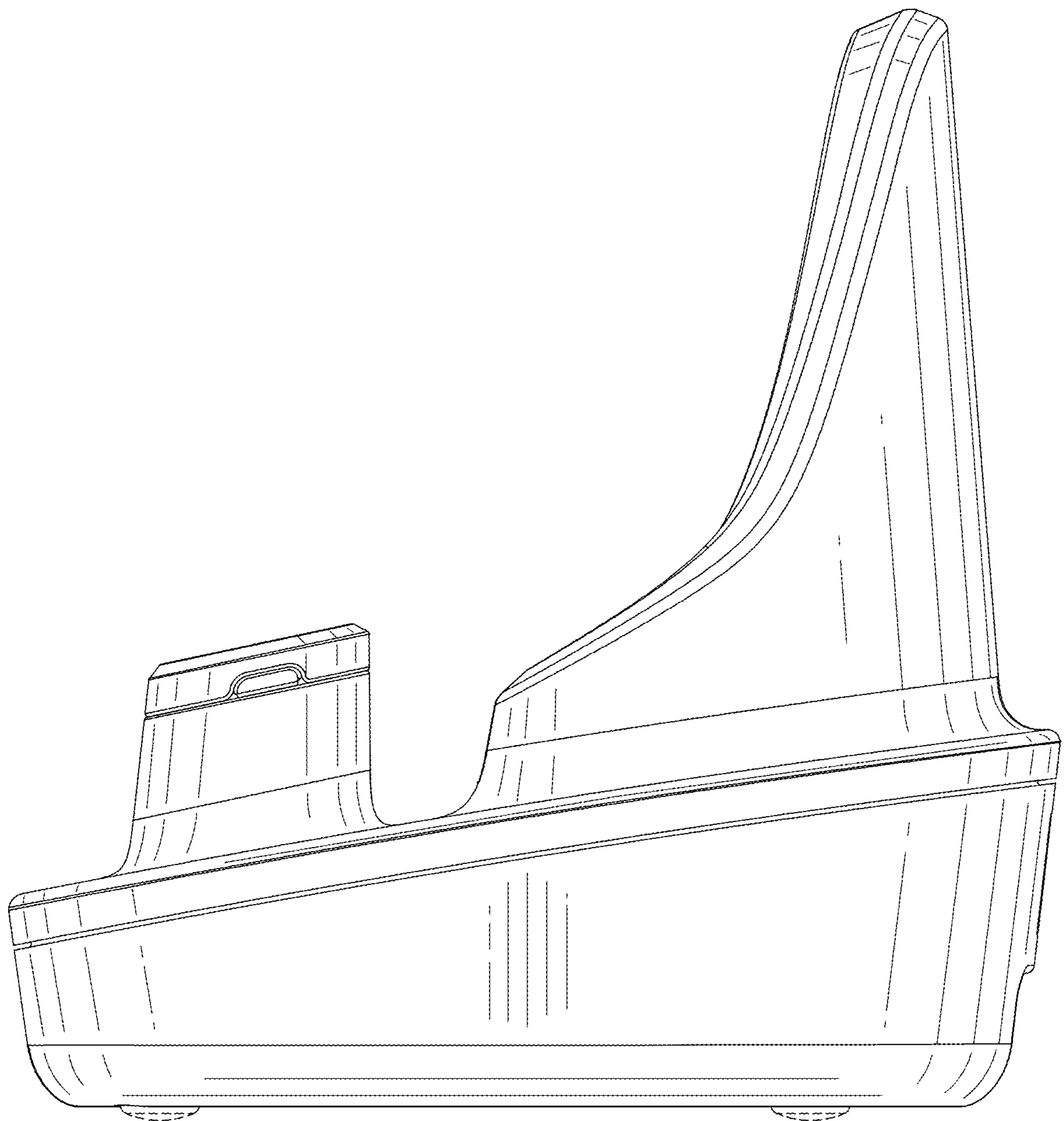


FIG. 6

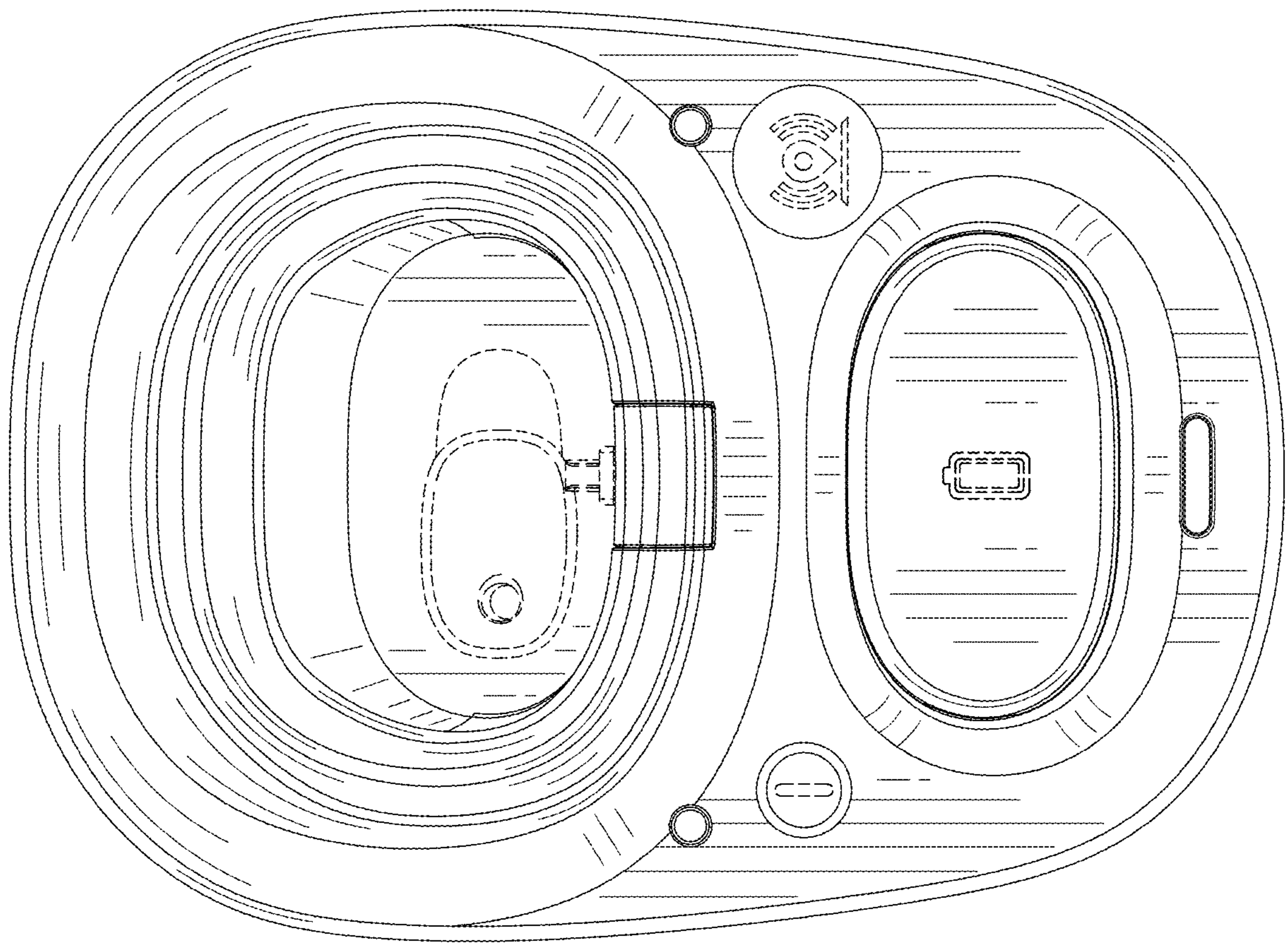


FIG. 7

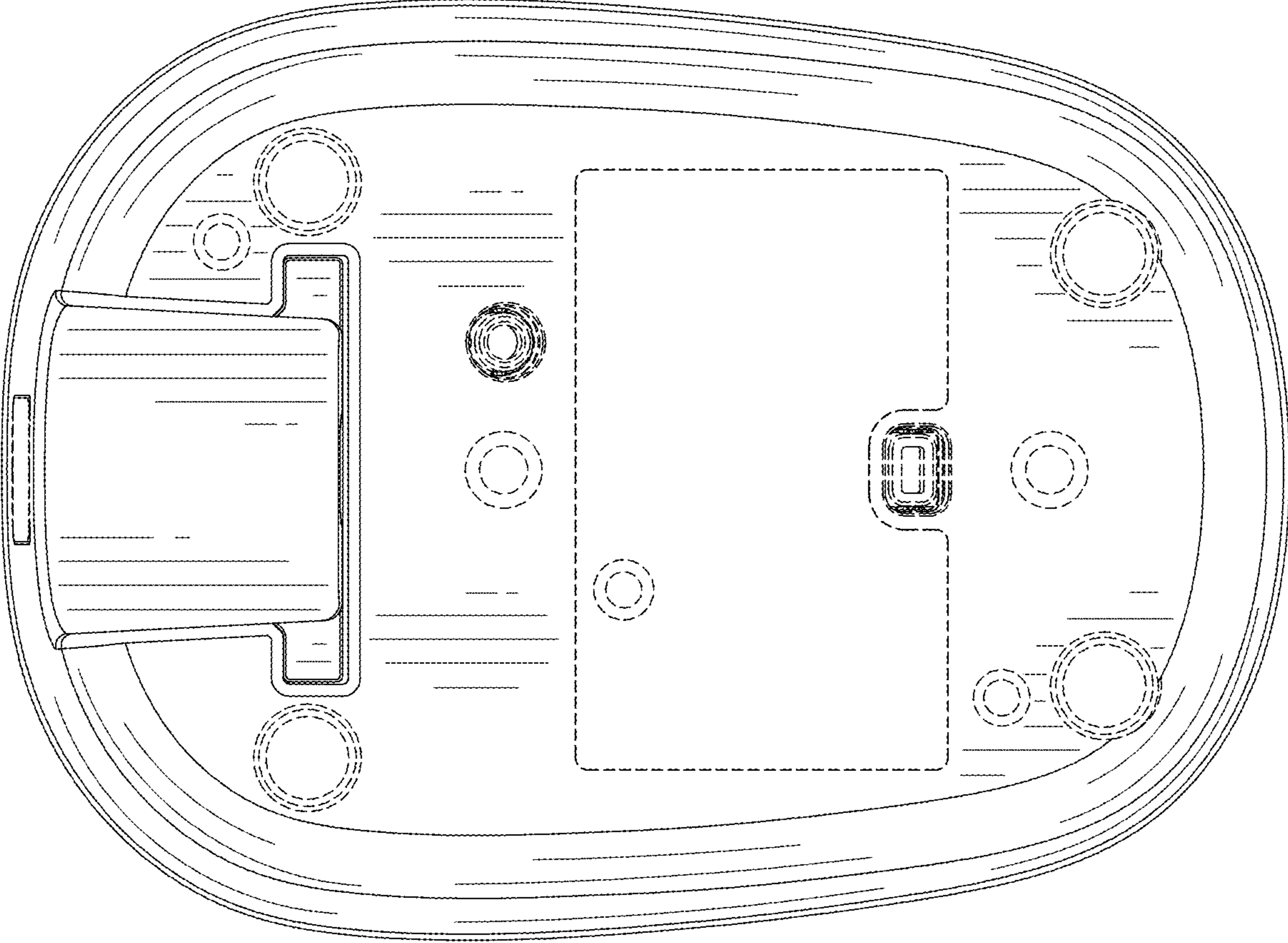


FIG. 8