



US00D947764S

(12) **United States Design Patent**
Bellham

(10) **Patent No.:** **US D947,764 S**

(45) **Date of Patent:** **** Apr. 5, 2022**

(54) **CHARGER**

(71) Applicant: **GN AUDIO A/S**, Ballerup (DK)

(72) Inventor: **Philip Bellham**, Ballerup (DK)

(73) Assignee: **GN AUDIO A/S**, Ballerup (DK)

(**) Term: **15 Years**

(21) Appl. No.: **29/774,035**

(22) Filed: **Mar. 12, 2021**

Related U.S. Application Data

(63) Continuation of application No. 29/741,129, filed on Jul. 9, 2020, now abandoned.

(30) **Foreign Application Priority Data**

Jan. 14, 2020 (EM) 007511357-0001

(51) **LOC (13) Cl.** **13-02**

(52) **U.S. Cl.**
USPC **D13/107**

(58) **Field of Classification Search**
USPC D13/103, 107-110, 118-119, 184, 199;
D14/251, 253, 432, 434, 447; D6/682
CPC H02J 7/025; H02J 7/005; H02J 7/0026;
H02J 7/0042; H02J 7/0044; H02J 7/0045;
H02J 7/0013; H02J 7/0003; H02J 7/02;
H02J 50/10; H02J 50/12
See application file for complete search history.

(56) **References Cited**

U.S. PATENT DOCUMENTS

D300,678 S * 4/1989 Barrault D13/108
D510,905 S 10/2005 Thirouin
D511,492 S * 11/2005 Allende Fritsch D13/108
D549,232 S * 8/2007 Li D14/434

D554,116 S 10/2007 Liu et al.
D572,188 S * 7/2008 Prat-Pfister D13/108
D657,740 S * 4/2012 Prat-Pfister D13/108
D661,930 S * 6/2012 Gebski D6/534
D669,028 S * 10/2012 Ino D13/108
D692,376 S * 10/2013 Palmer D13/108
D722,292 S * 2/2015 De Klein D13/108
D740,750 S 10/2015 Mayden et al.
D768,635 S * 10/2016 Due D14/432
D774,455 S 12/2016 Kim et al.
D782,973 S 4/2017 Zhou
D784,259 S 4/2017 Huang
D794,557 S 8/2017 Kim
D803,153 S * 11/2017 Park D13/108
D810,015 S * 2/2018 Carreon D13/108
D844,698 S * 4/2019 Isaacs D18/12
D850,370 S 6/2019 Lee
D850,372 S 6/2019 Kong et al.
D872,725 S 1/2020 Lindof
D873,259 S 1/2020 Lindof
D875,678 S 2/2020 Kim et al.

(Continued)

Primary Examiner — Rosemary K Tarcza

(74) *Attorney, Agent, or Firm* — Hamre, Schumann,
Mueller & Larson, P.C.

(57) **CLAIM**

The ornamental design for a charger, as shown and described.

DESCRIPTION

FIG. 1 is a Top Front Right Isometric view of a charger.

FIG. 2 is a front view thereof.

FIG. 3 is a rear view thereof.

FIG. 4 is a left view thereof.

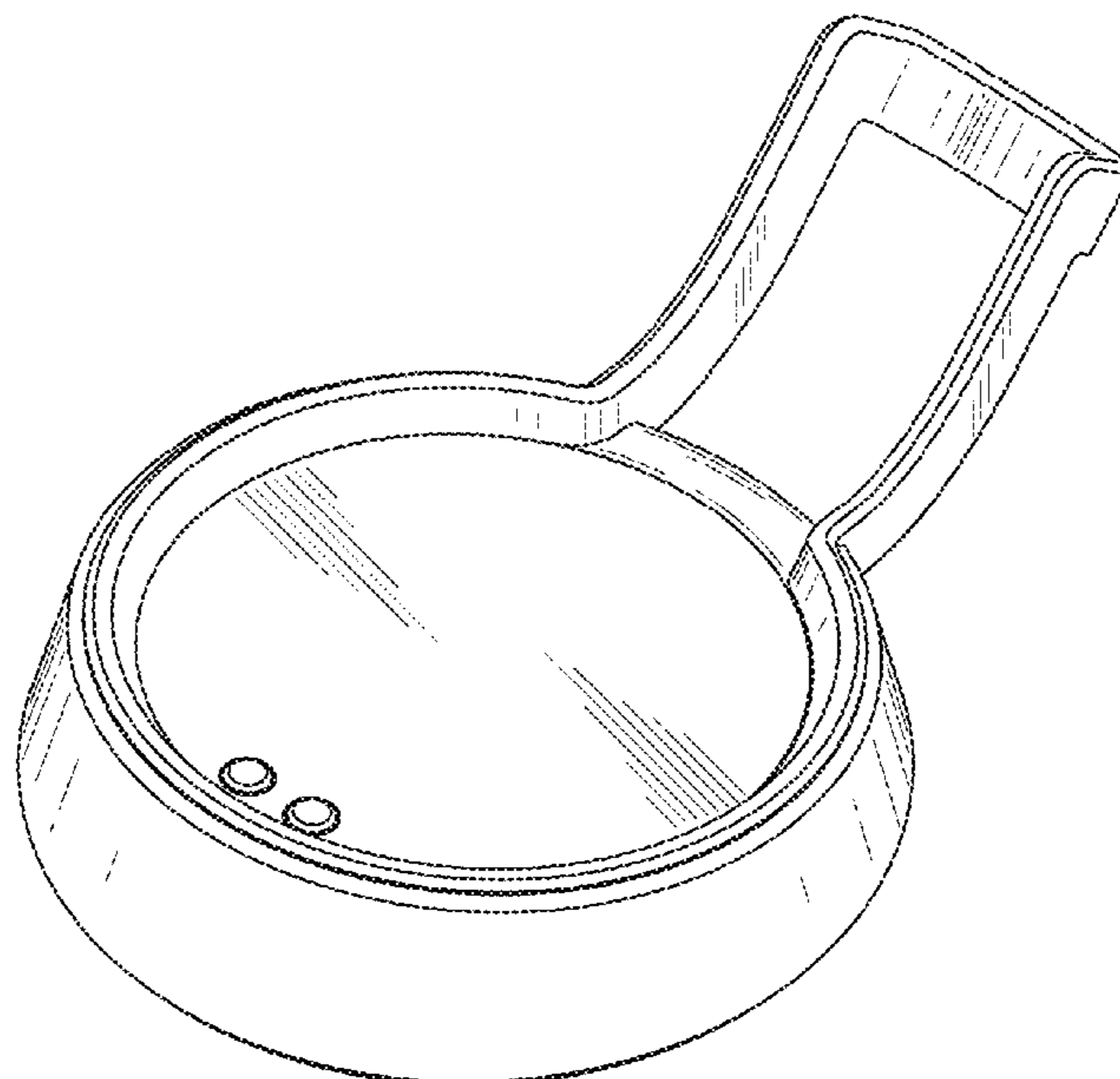
FIG. 5 is a right view thereof.

FIG. 6 is a top view thereof; and,

FIG. 7 is a bottom view thereof.

The broken lines shown in the drawings depict portions of the charger that form no part of the claimed design.

1 Claim, 6 Drawing Sheets



(56)

References Cited

U.S. PATENT DOCUMENTS

D891,366 S 7/2020 Xie et al.
D895,541 S * 9/2020 Zhang D13/108

* cited by examiner

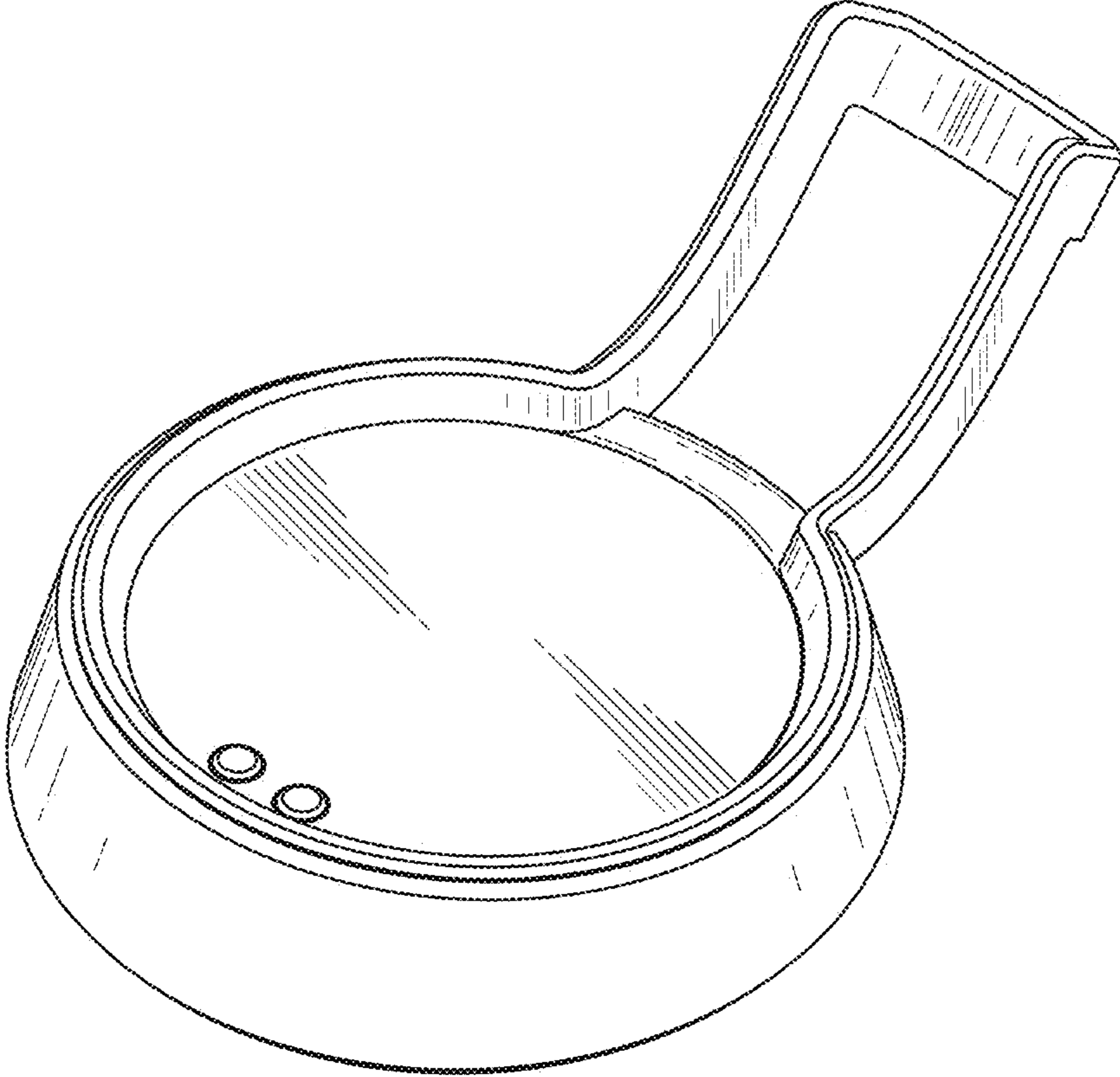


FIG. 1

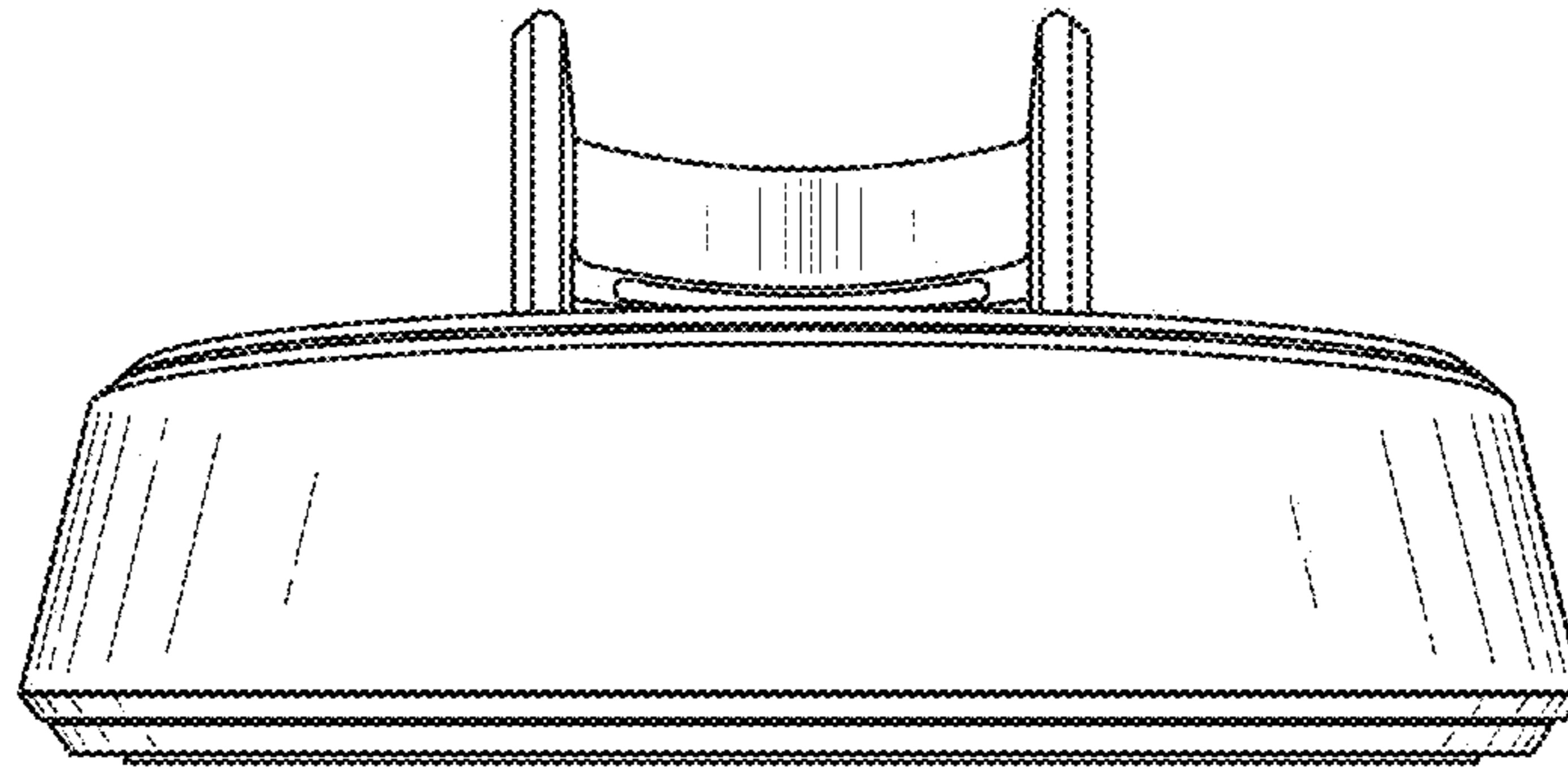


FIG. 2

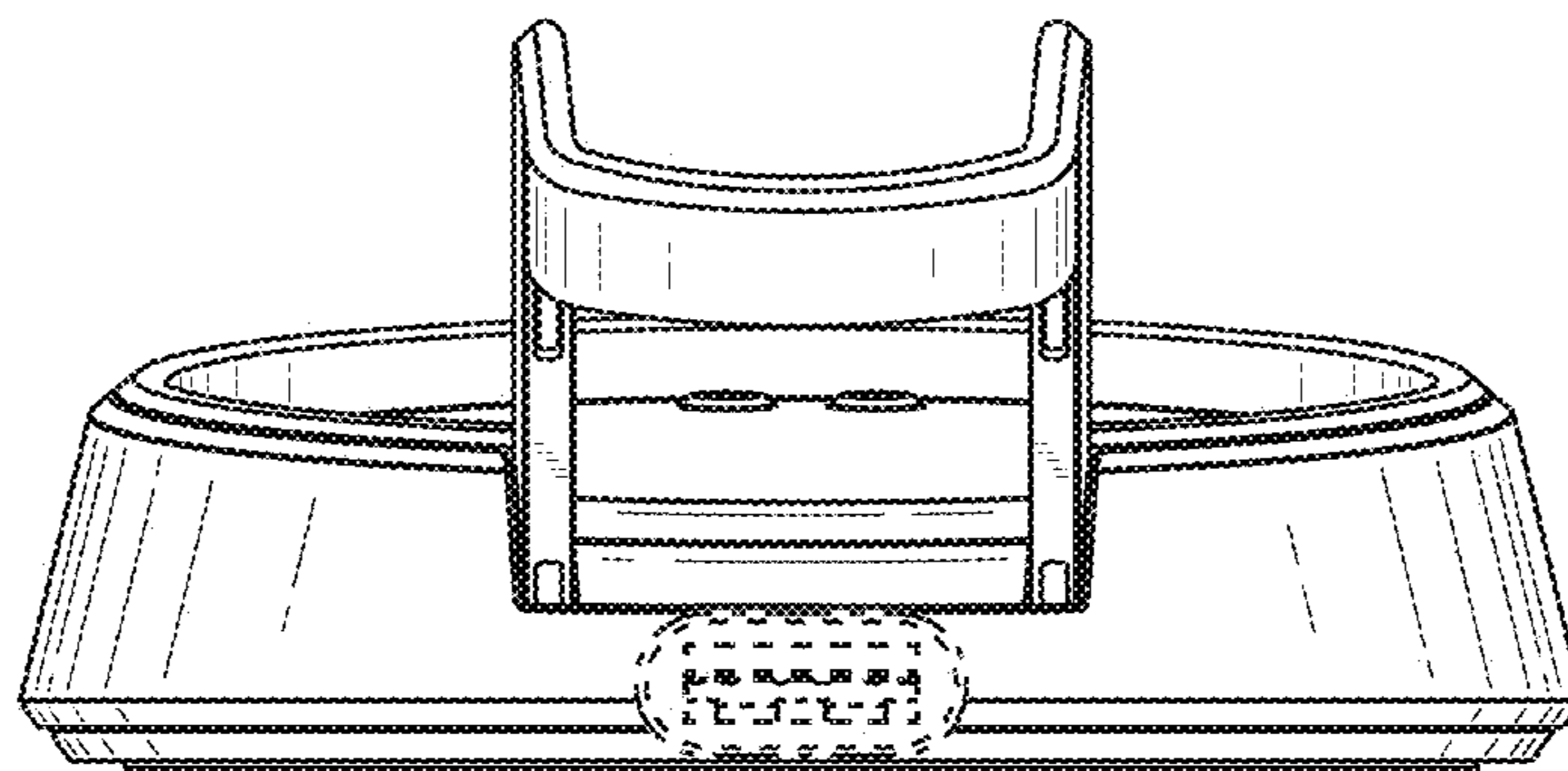


FIG. 3

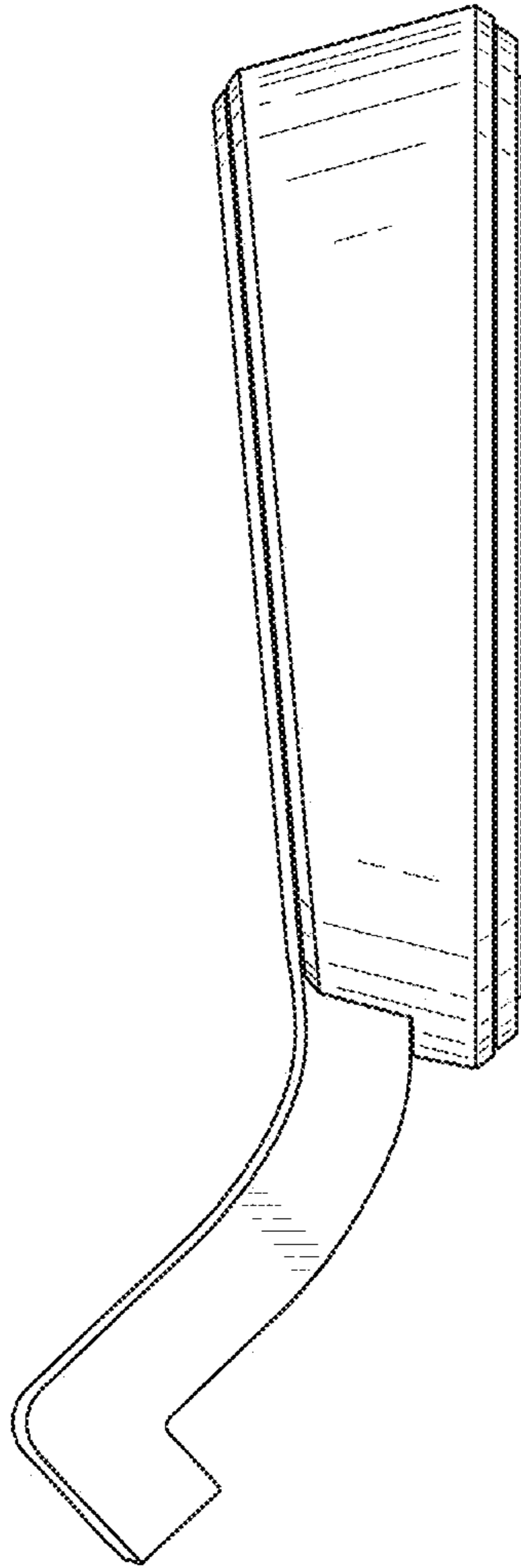


FIG. 4

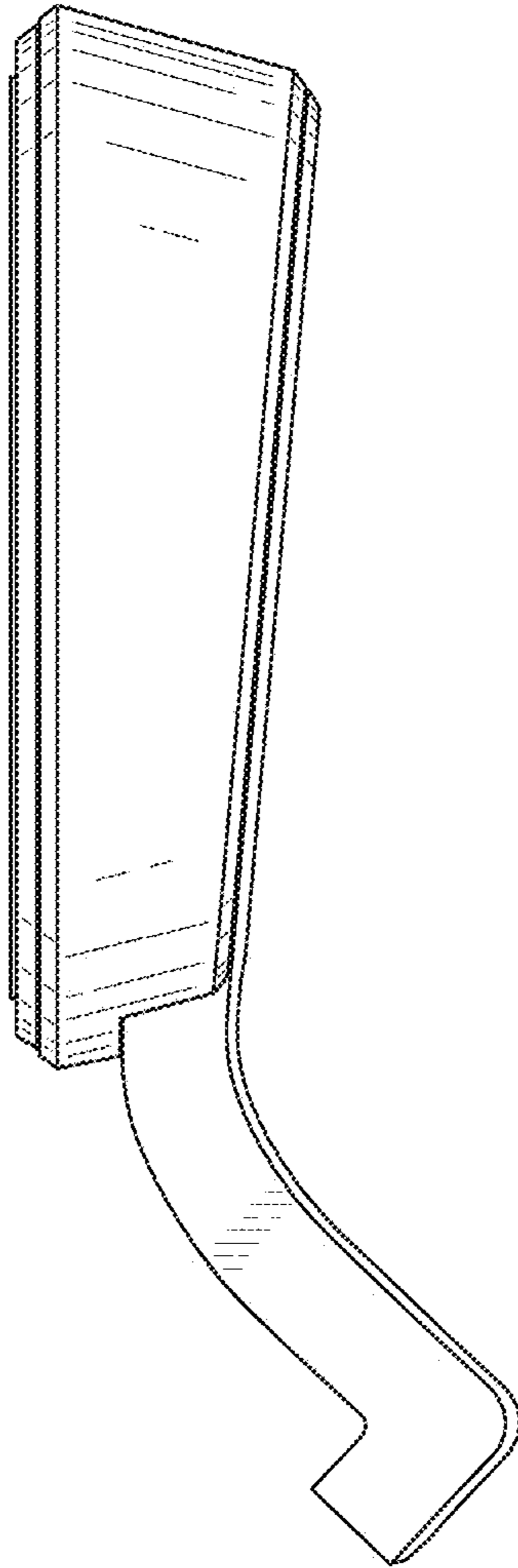


FIG. 5

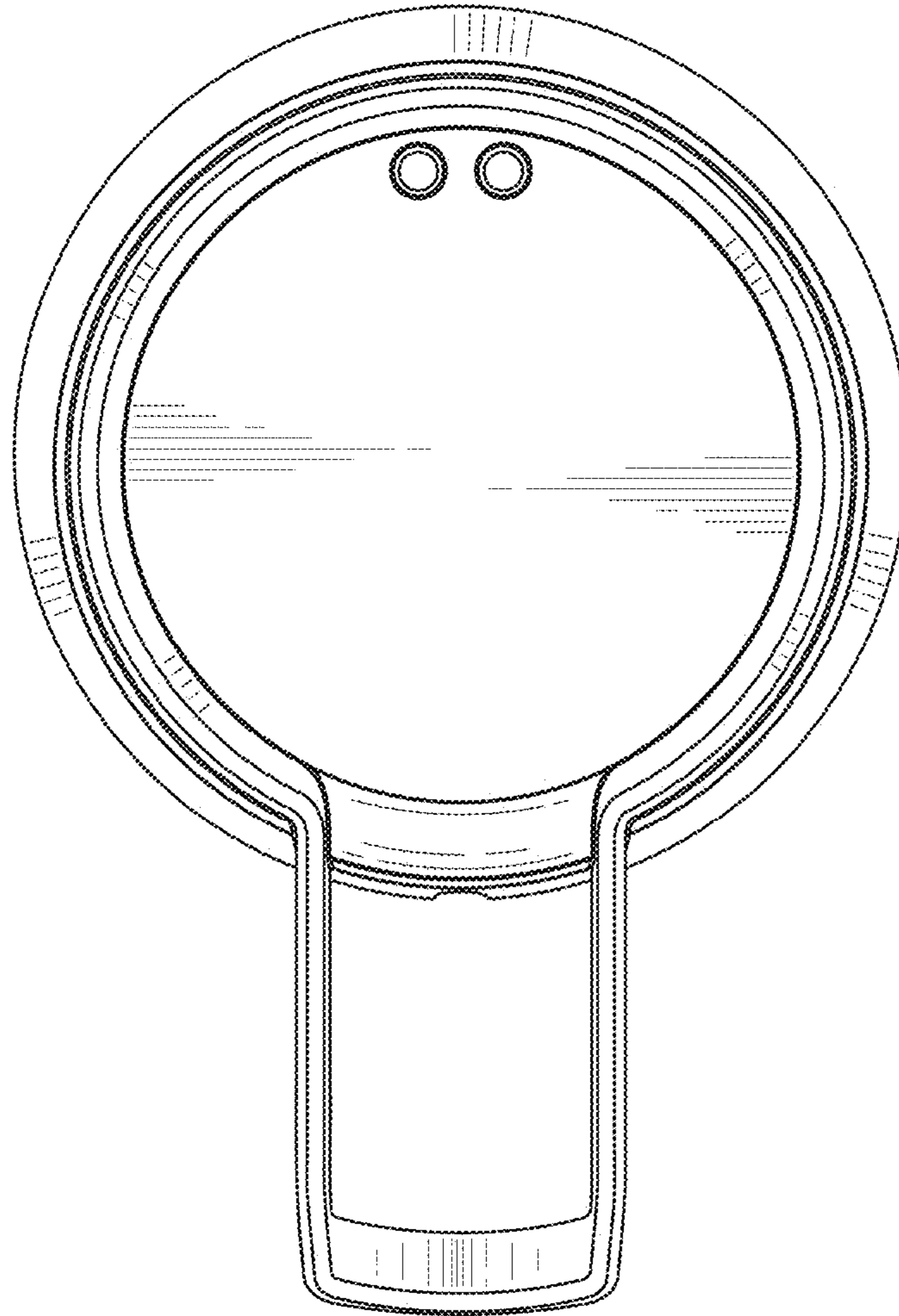


FIG. 6

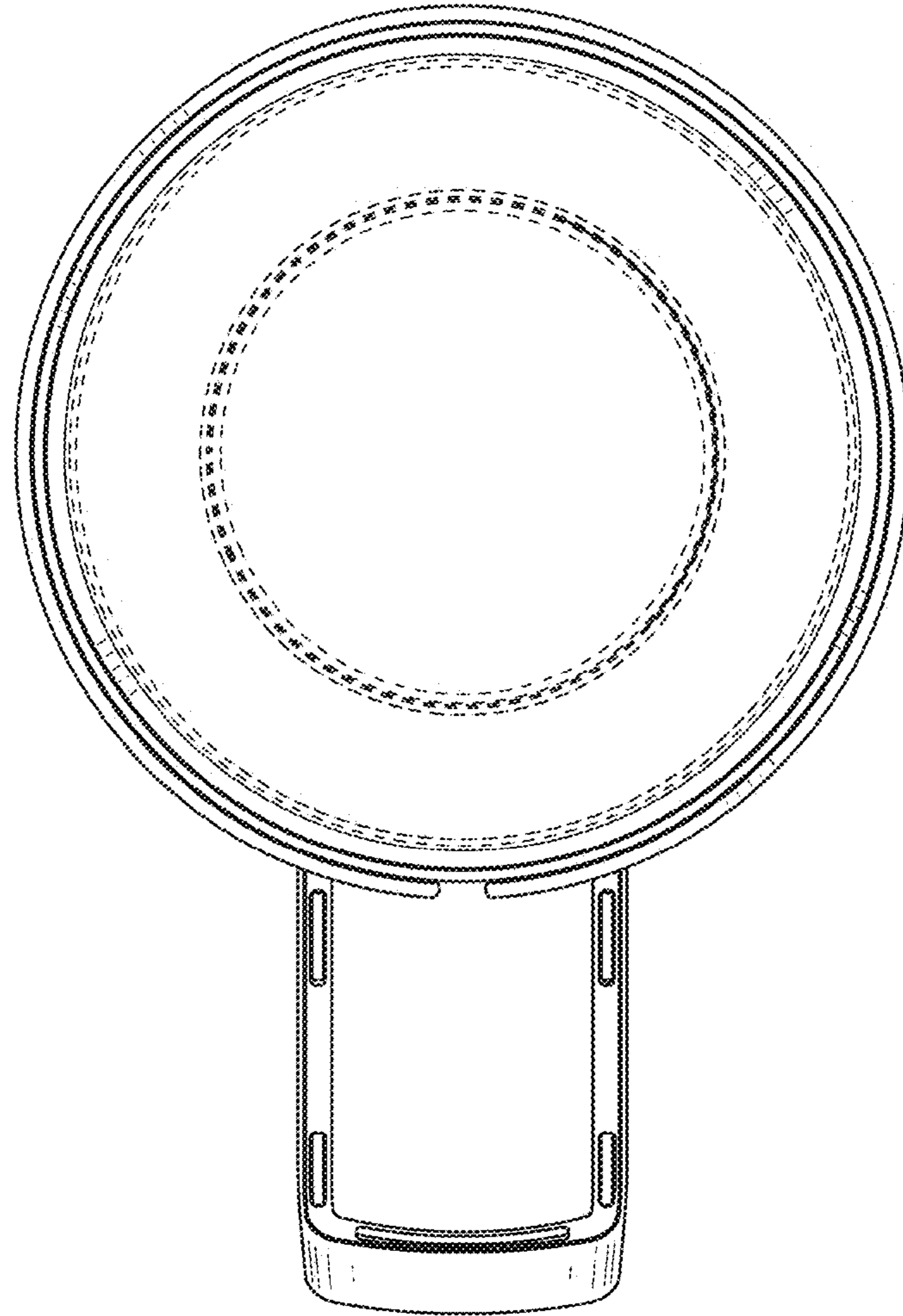


FIG. 7