



US00D947763S

(12) **United States Design Patent**  
**Huang**

(10) **Patent No.:** **US D947,763 S**

(45) **Date of Patent:** **\*\* Apr. 5, 2022**

(54) **BATTERY CHARGER**

(71) Applicant: **Yongping Huang**, Guangdong (CN)

(72) Inventor: **Yongping Huang**, Guangdong (CN)

(\*\*) Term: **15 Years**

(21) Appl. No.: **29/739,682**

(22) Filed: **Jun. 29, 2020**

(51) **LOC (13) Cl.** ..... **13-02**

(52) **U.S. Cl.**  
USPC ..... **D13/107**

(58) **Field of Classification Search**

USPC ..... D13/103, 107-110, 118, 119, 184, 199;  
D14/251, 253, 432, 434  
CPC ..... Y02E 60/12; H02J 7/025; H02J 7/0042;  
H02J 7/0044; H02J 7/0045; H02J 7/0003;  
H02J 7/0027; H02J 7/0013; H02J 7/0054;  
H02J 7/00; H02J 3/32; H02J 3/008; H02J  
2001/008; H01F 38/14; H01R 13/6675;  
H01M 2/1022; H01M 2/1055; H01M  
10/44; H01M 10/46; H01M 10/425;  
B60R 16/03; B60L 11/1809; B60L  
11/1861; B60L 11/182

See application file for complete search history.

(56) **References Cited**

**U.S. PATENT DOCUMENTS**

D478,557 S *	8/2003	Pfeiffer .....	D13/107
D488,443 S *	4/2004	Bailey .....	D13/119
D515,501 S *	2/2006	Kawasaki .....	D13/107
D517,477 S *	3/2006	Yamagishi .....	D13/107
D519,445 S *	4/2006	Wang .....	D13/107
D519,447 S *	4/2006	Lie .....	D13/107
D532,369 S *	11/2006	Shimizu .....	D13/108
D532,370 S *	11/2006	Shimizu .....	D13/108
D551,163 S *	9/2007	Hamasaki .....	D13/107
D571,722 S *	6/2008	Kang .....	D13/107
D573,088 S *	7/2008	Castellucci .....	D13/107

D599,287 S *	9/2009	Kingston .....	D13/107
D599,735 S *	9/2009	Amidei .....	D13/107
D614,127 S *	4/2010	Kingston .....	D13/107
D623,130 S *	9/2010	Kawakami .....	D13/107
D632,646 S *	2/2011	Fitch .....	D13/107
D639,732 S *	6/2011	Ueda .....	D13/107
D650,328 S *	12/2011	Fitch .....	D13/107
D667,785 S *	9/2012	Ueda .....	D13/107
D676,806 S *	2/2013	Baker .....	D13/107
D687,770 S *	8/2013	Rabalais .....	D13/107
D694,177 S *	11/2013	Bennett .....	D13/107
D694,178 S *	11/2013	Bennett .....	D13/107
D694,705 S *	12/2013	Kingston .....	D13/107
D697,025 S *	1/2014	Fitch .....	D13/107
D718,710 S *	12/2014	Rabalais .....	D13/107
D743,331 S *	11/2015	Racine .....	D13/107
D808,899 S *	1/2018	Li .....	D13/107
D808,900 S *	1/2018	Li .....	D13/107
D810,012 S *	2/2018	Li .....	D13/107
D816,023 S *	4/2018	Price .....	D13/107
D817,871 S *	5/2018	Li .....	D13/107

(Continued)

*Primary Examiner* — Christy Nemeth

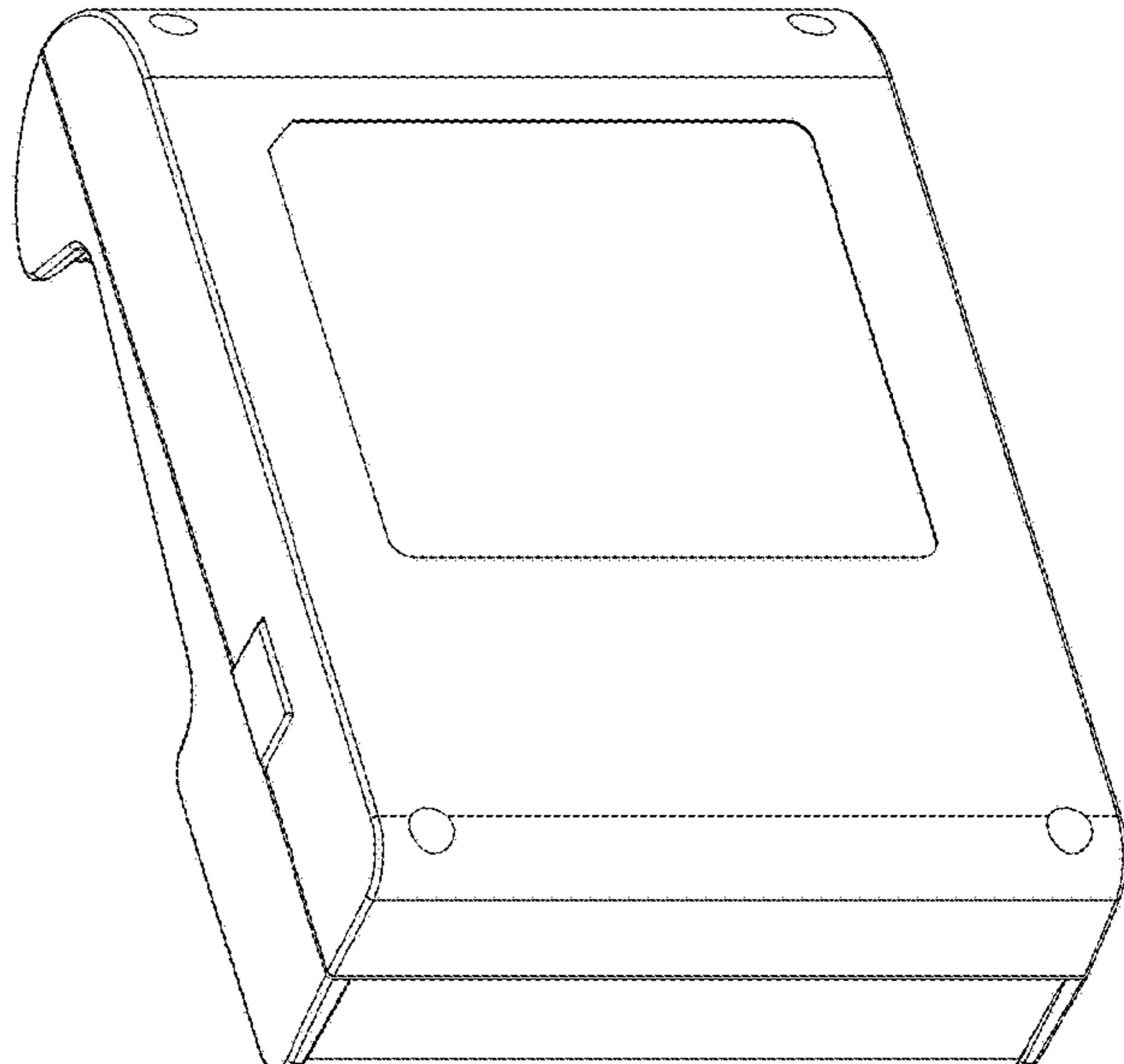
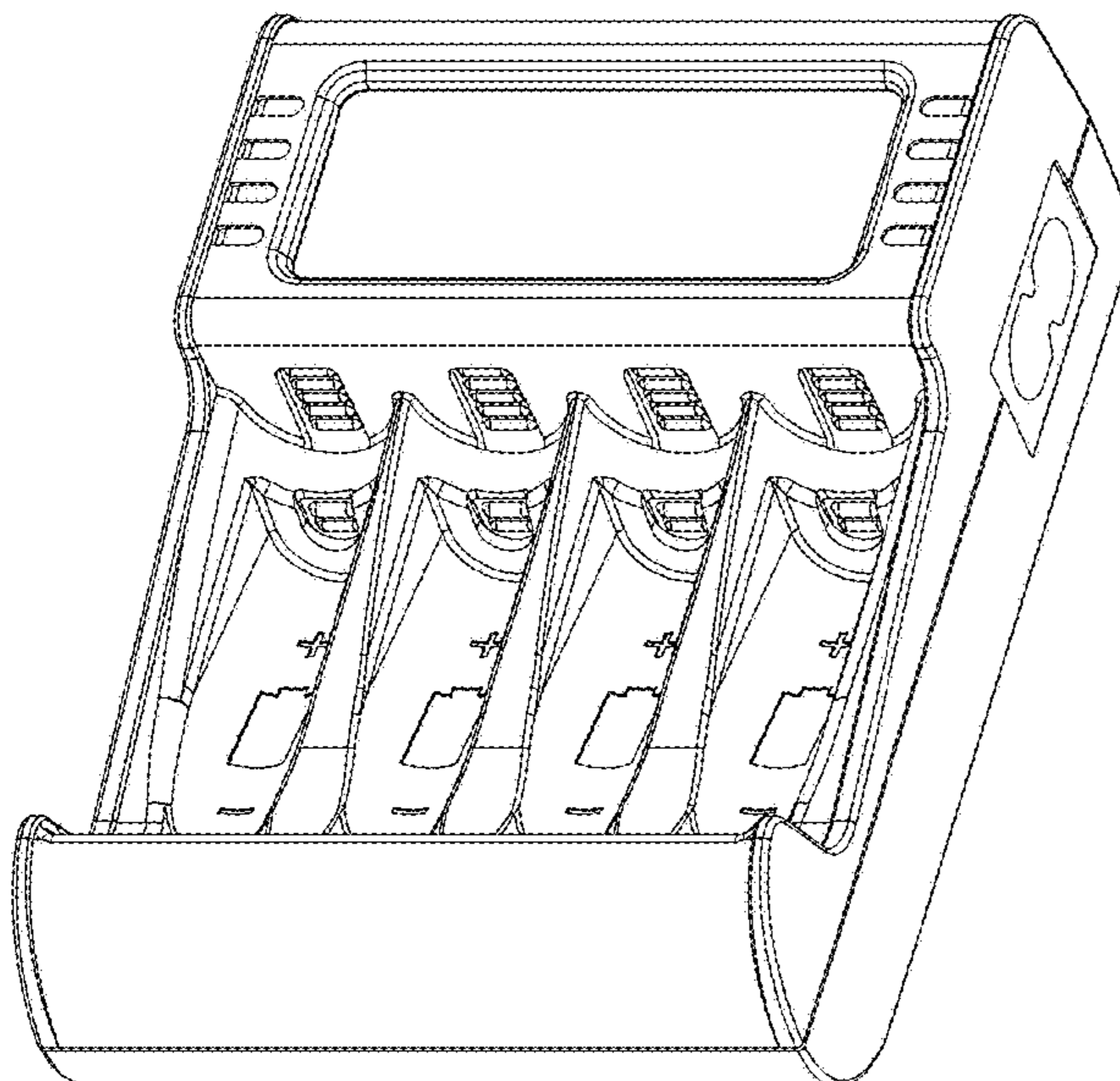
(57) **CLAIM**

The ornamental design for a battery charger, as shown and described.

**DESCRIPTION**

FIG. 1 is a front perspective view of a battery charger showing my new design;  
FIG. 2 is a rear perspective view thereof;  
FIG. 3 is a front elevation view thereof;  
FIG. 4 is a rear elevation view thereof;  
FIG. 5 is a left side elevational view thereof;  
FIG. 6 is a right side elevational view thereof;  
FIG. 7 is a top plan view thereof; and,  
FIG. 8 is a bottom plan view thereof.  
The broken lines in the drawings illustrate portions of the battery charger that form no part of the claimed design.

**1 Claim, 6 Drawing Sheets**



(56)

**References Cited**

U.S. PATENT DOCUMENTS

D822,597 S \* 7/2018 Wai Hung ..... D13/107  
D905,628 S \* 12/2020 Yi ..... D13/107  
D911,272 S \* 2/2021 Xu ..... D13/107  
2016/0359353 A1\* 12/2016 Sekiguchi ..... H02J 7/00

\* cited by examiner

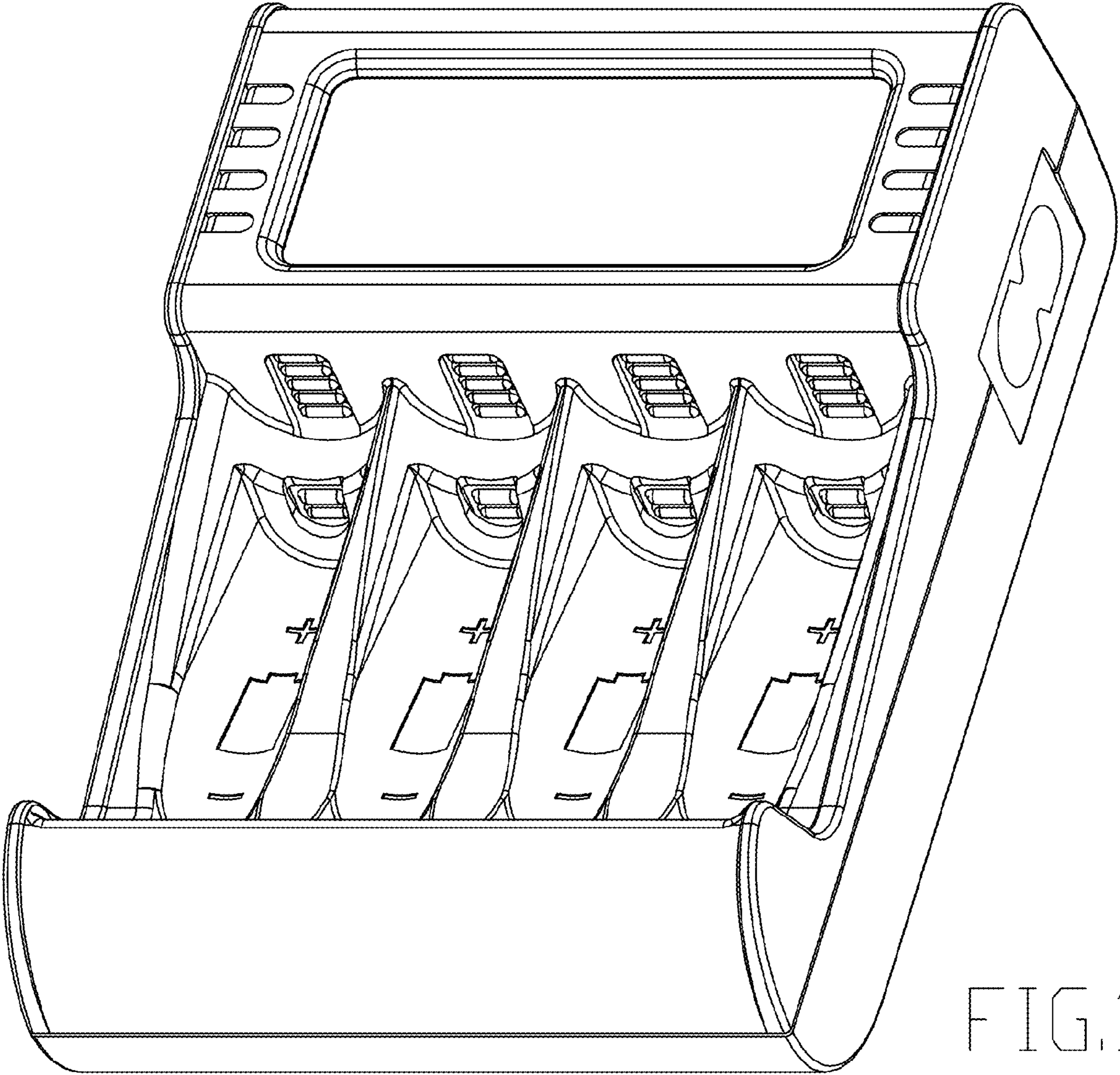
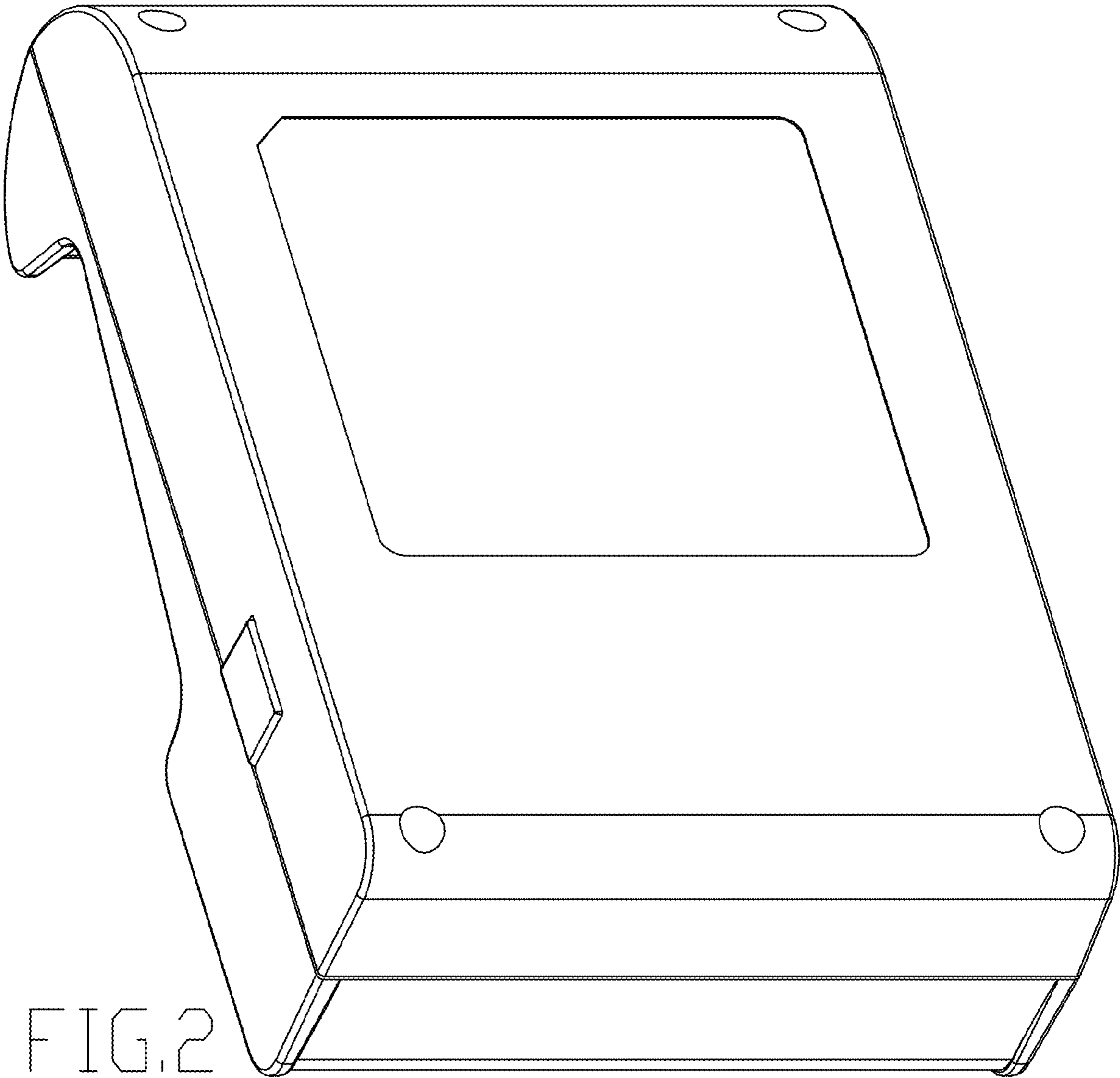


FIG. 1



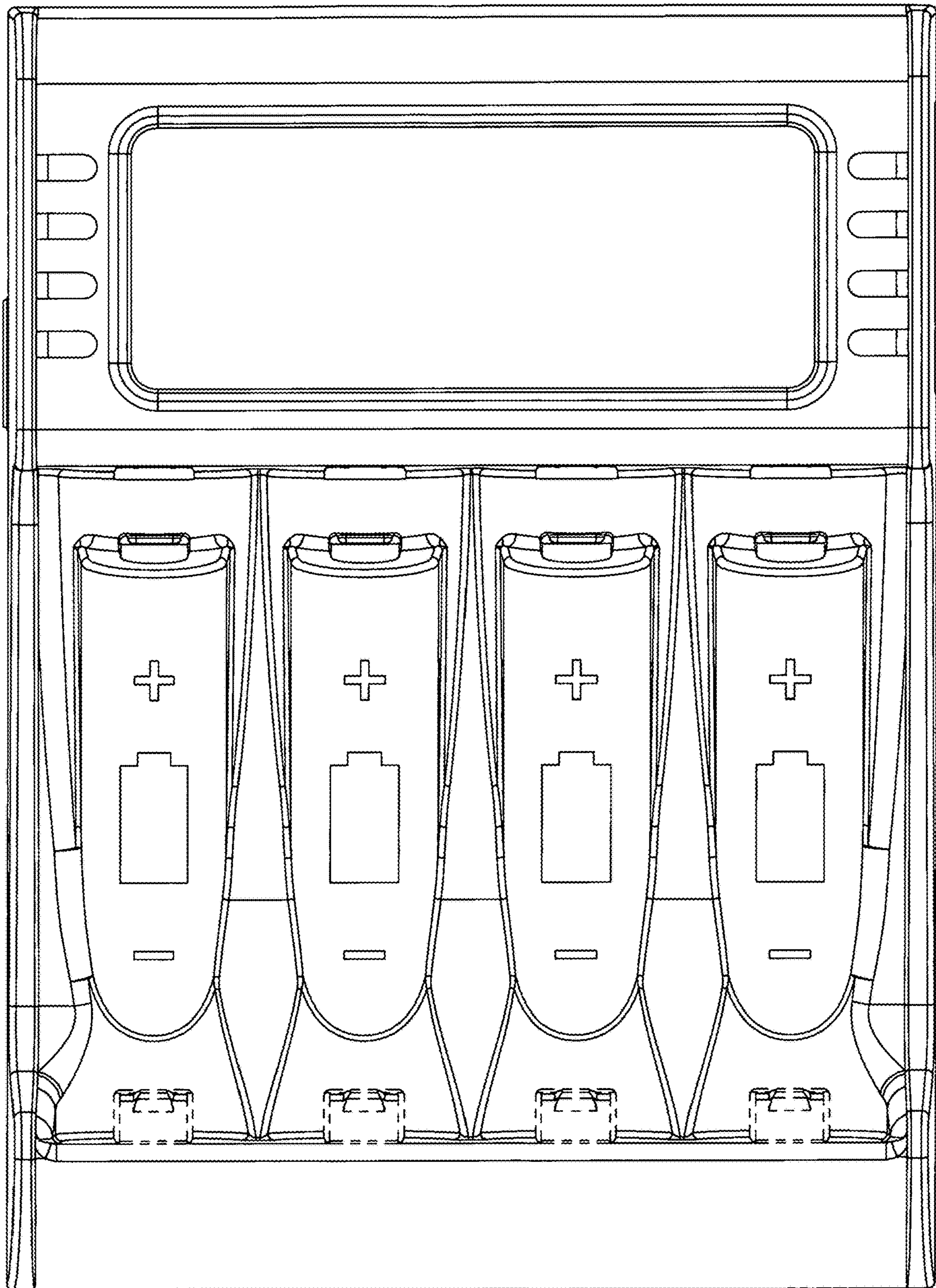


FIG. 3

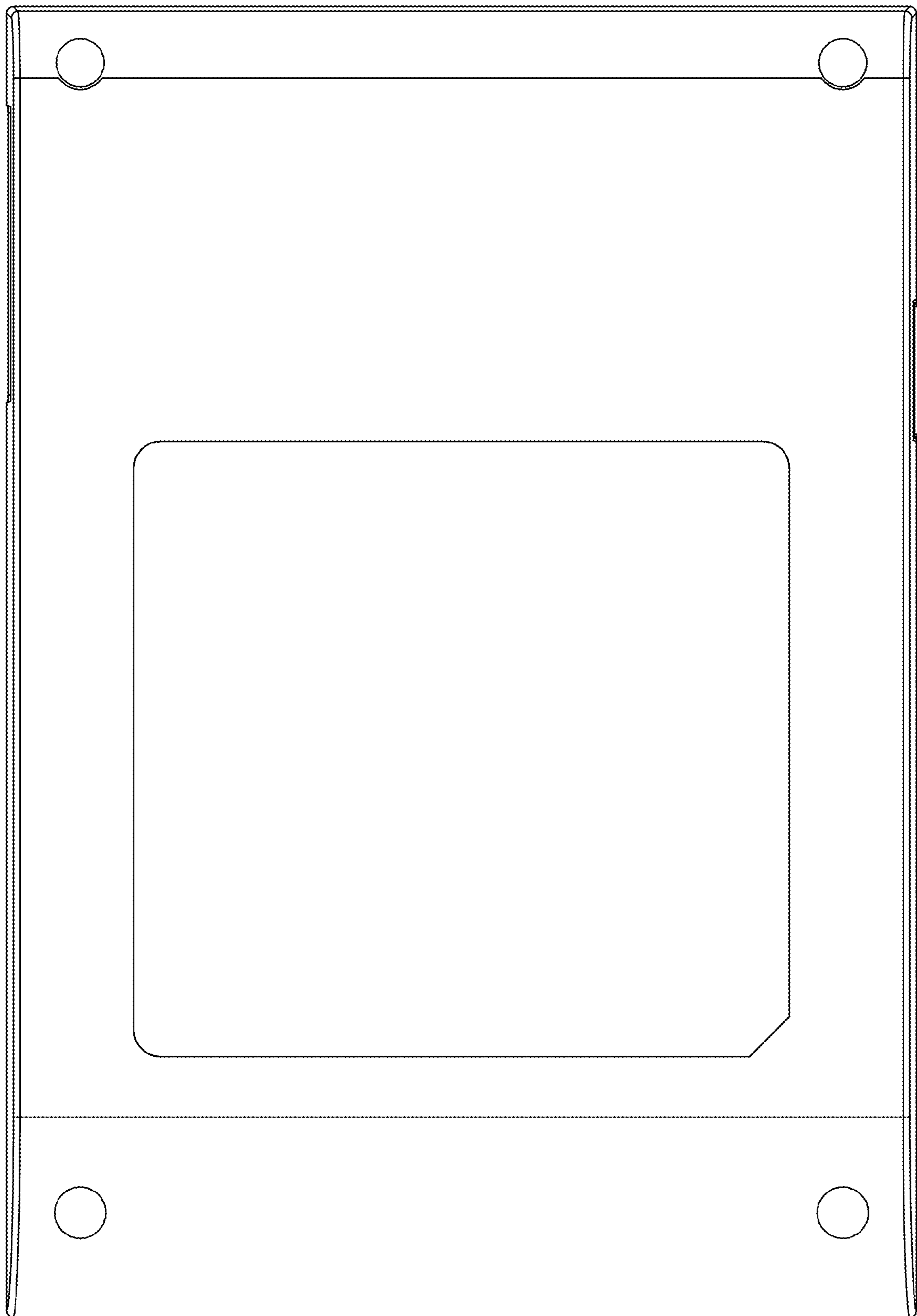


FIG. 4

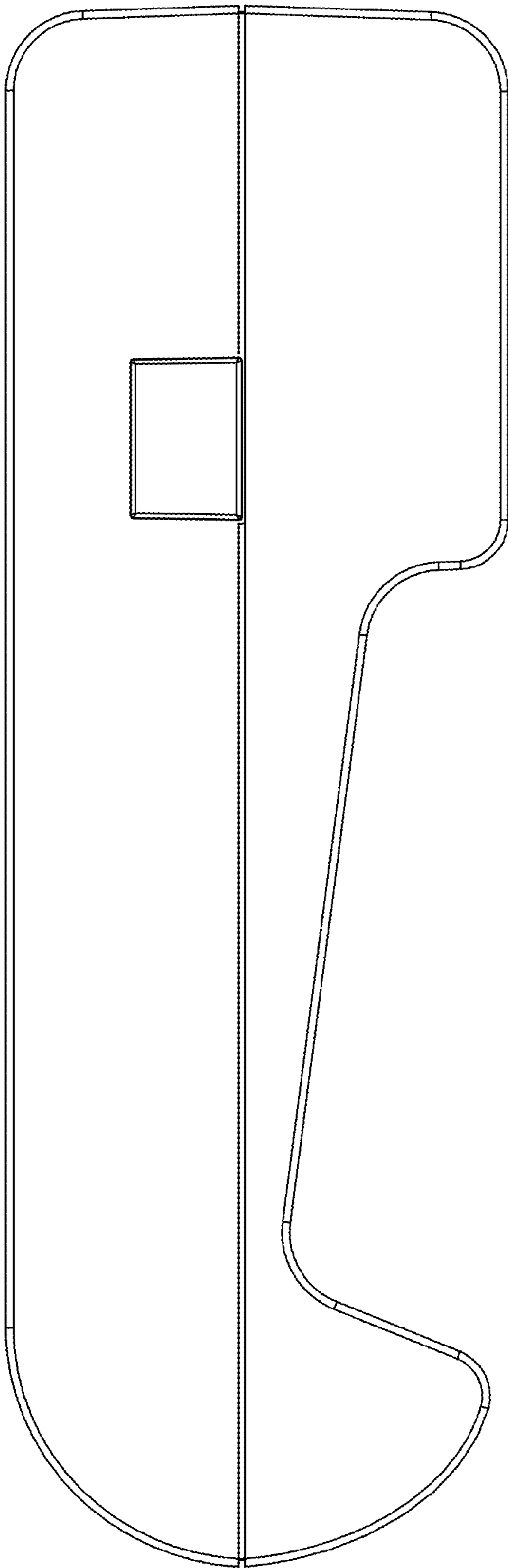


FIG. 5

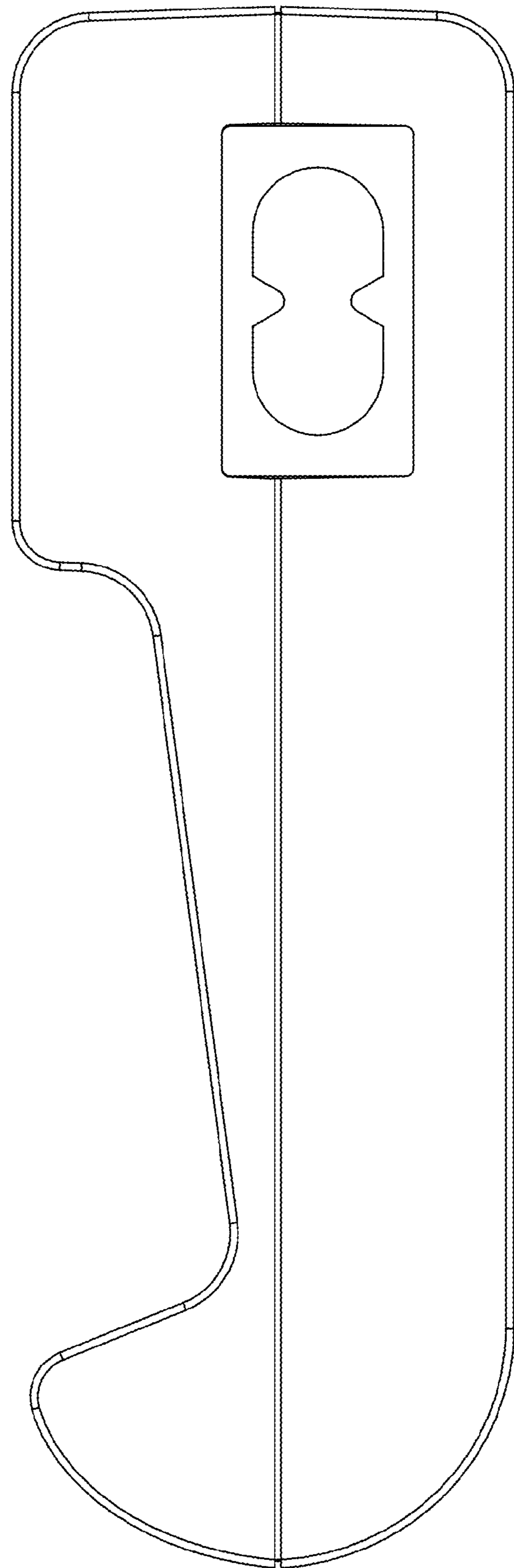


FIG. 6

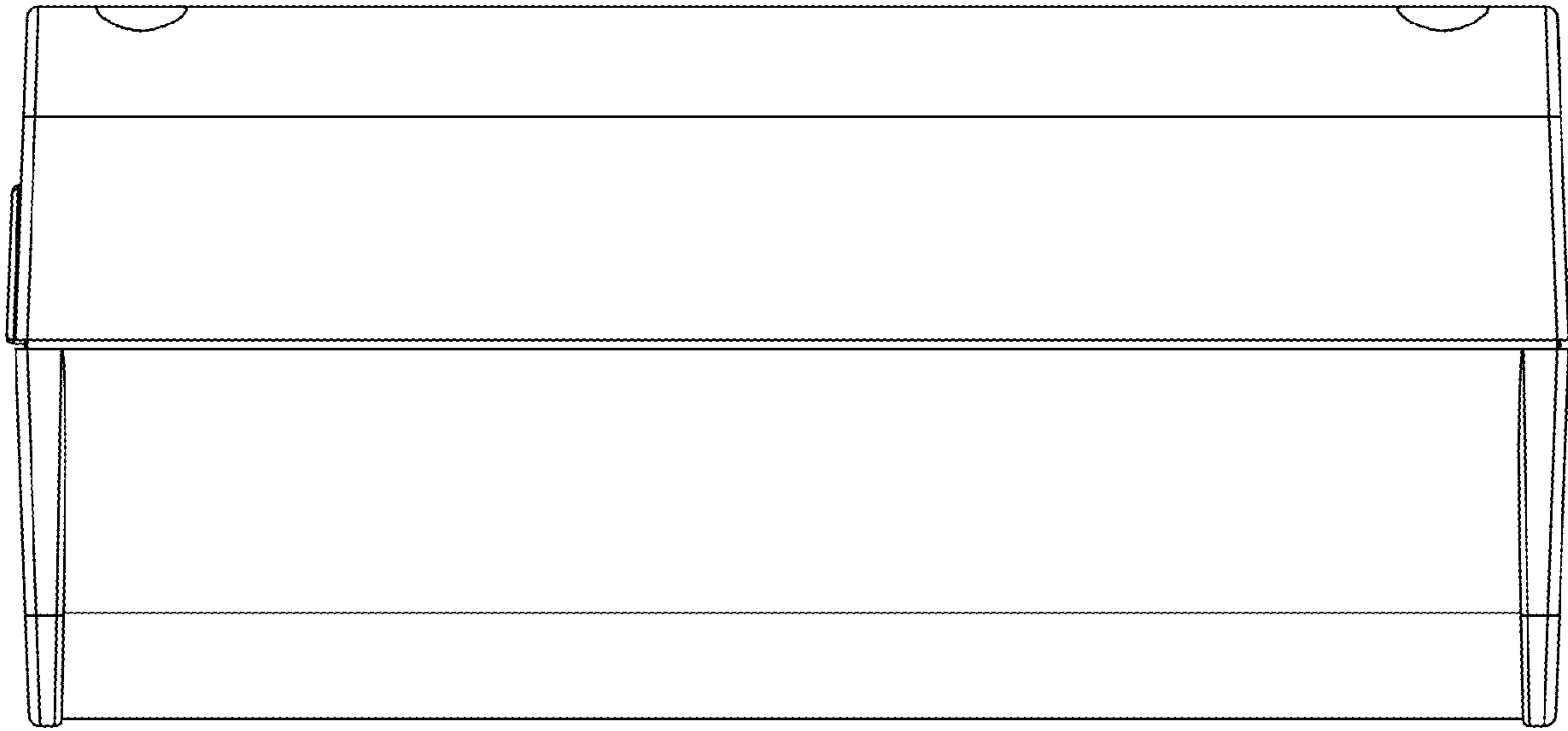


FIG. 7

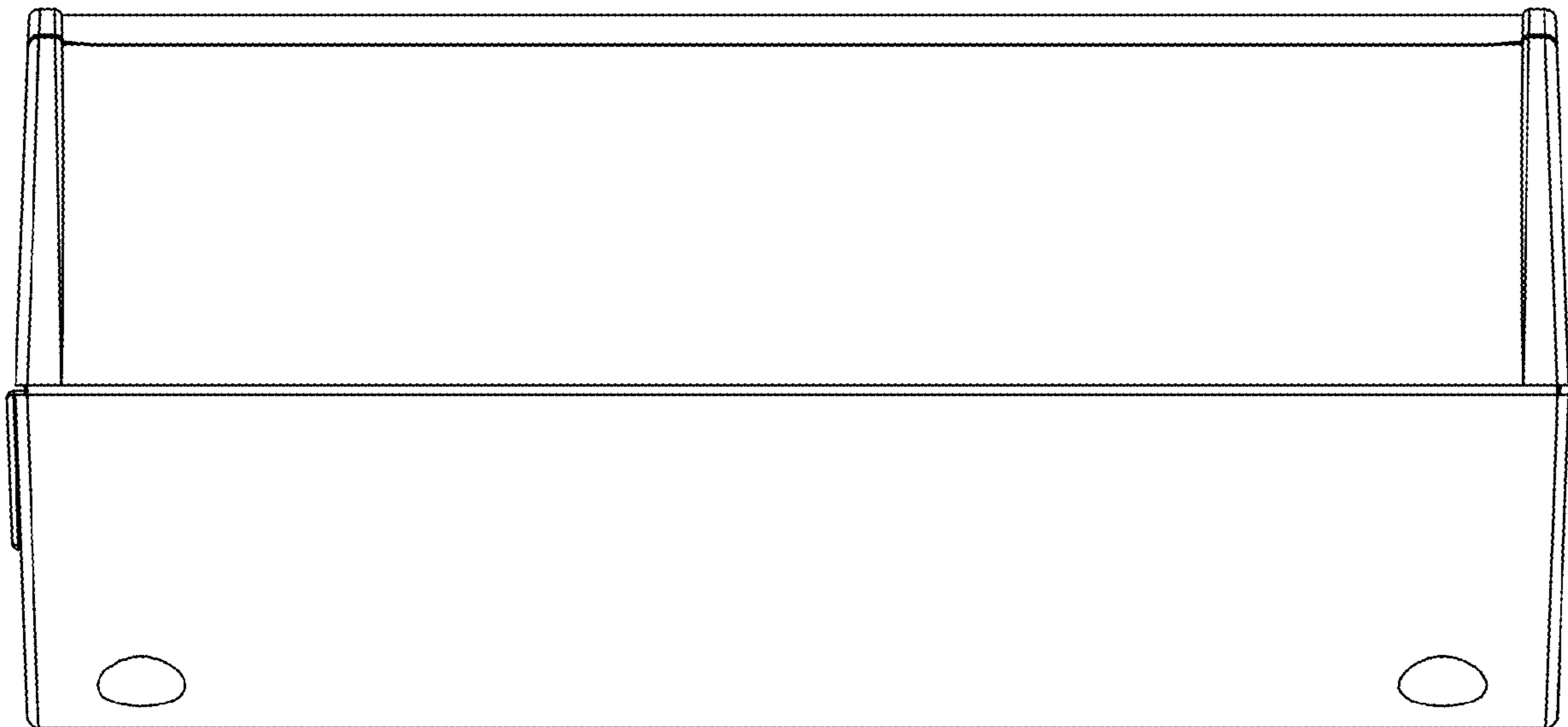


FIG. 8