



US00D947754S

(12) **United States Design Patent** (10) **Patent No.:** **US D947,754 S**
Mathis (45) **Date of Patent:** **** Apr. 5, 2022**

(54) **TIRE**
(71) Applicant: **Atturo Tire Corp.**, Lake Villa, IL (US)
(72) Inventor: **Michael Mathis**, Lake Villa, IL (US)
(73) Assignee: **Atturo Tire Corp.**, Lake Villa, IL (US)
(**) Term: **15 Years**

D597,474 S 8/2009 Yamakawa et al.
D601,939 S 10/2009 Fontaine et al.
D606,002 S 12/2009 Yamakawa et al.
(Continued)

FOREIGN PATENT DOCUMENTS

CN 302483257 S 1/2013
EM 001953142-0001 11/2011
(Continued)

(21) Appl. No.: **29/710,974**
(22) Filed: **Oct. 28, 2019**
(51) **LOC (13) Cl.** **12-15**
(52) **U.S. Cl.**
USPC **D12/579**
(58) **Field of Classification Search**
USPC D12/579, 580, 586, 588, 593, 594, 596,
D12/600, 602
CPC B60C 11/0306; B60C 11/11
See application file for complete search history.

OTHER PUBLICATIONS

Atturo Tyres, 2015 Catalog, Published in United States, 2015.
(Continued)

Primary Examiner — Susan Bennett Hattan
(74) *Attorney, Agent, or Firm* — Akerman LLP; Peter A. Chiabotti

(57) **CLAIM**

The ornamental design for a tire, as shown and described.

(56) **References Cited**

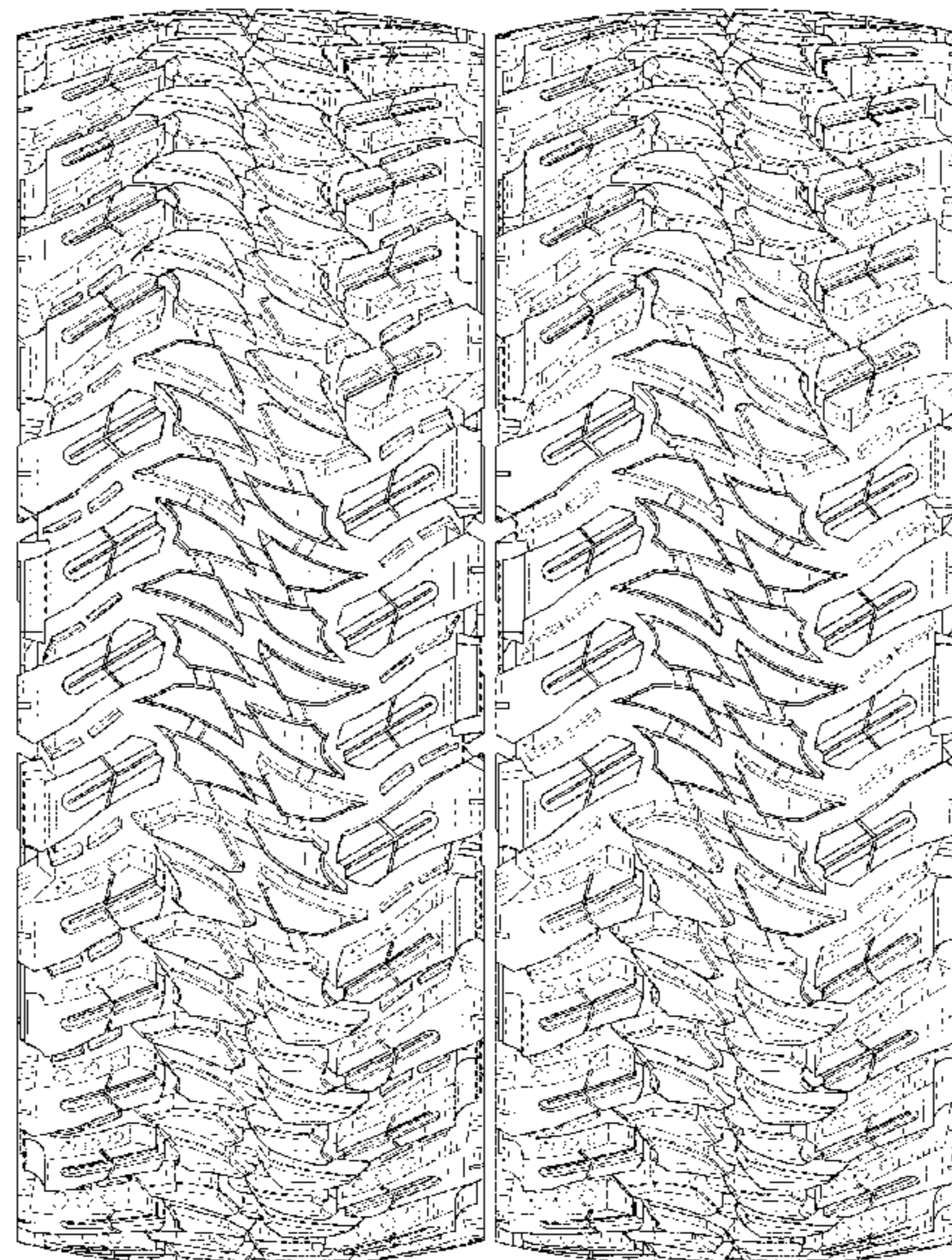
U.S. PATENT DOCUMENTS

D157,953 S 4/1950 Hawkinson
D158,031 S 4/1950 Wilcox
D412,472 S 8/1999 Brown et al.
D432,956 S 10/2000 Riquet
D447,097 S 8/2001 Grass et al.
D459,289 S 6/2002 Lo
D469,737 S 2/2003 Guidry
D490,045 S 10/2003 Delu et al.
D483,718 S 12/2003 Hutz et al.
D495,294 S 8/2004 Ochi et al.
D530,266 S 10/2006 Hutz et al.
D531,110 S 10/2006 Miyazaki et al.
D549,155 S 8/2007 Umstot
D549,156 S 8/2007 Umstot
D558,664 S 1/2008 HerbeuVal et al.
D563,311 S 3/2008 Brainerd, II et al.
D578,059 S 10/2008 Fujita
D591,225 S 4/2009 Ashton et al.
D594,401 S 6/2009 Guidry

DESCRIPTION

FIG. 1 is a perspective view of the tire showing my new design;
FIG. 2 is a front view thereof;
FIG. 3 is a side view thereof;
FIG. 4 is a perspective view of another embodiment of my design;
FIG. 5 is a front view thereof;
FIG. 6 is a side view thereof;
FIG. 7 is a perspective view of another embodiment of my design;
FIG. 8 is a front view thereof; and,
FIG. 9 is a side view thereof.
The portions shown in broken lines form no part of the claimed design.

1 Claim, 9 Drawing Sheets



(56)

References Cited

U.S. PATENT DOCUMENTS

D610,532 S 2/2010 Brainerd, II et al.
 D610,975 S 3/2010 Osaka
 D610,976 S 3/2010 Osaka
 D610,977 S 3/2010 Osaka
 D612,321 S 3/2010 Bott et al.
 D612,797 S 3/2010 Lo
 D615,031 S 5/2010 Osaka
 D626,910 S 11/2010 Bott et al.
 D634,261 S 3/2011 Schmalix et al.
 D638,354 S 5/2011 Strader et al.
 D648,668 S 11/2011 Kujime
 D650,322 S 12/2011 Takahashi
 D651,160 S 12/2011 Jacobs
 D653,195 S 1/2012 Sareen
 D653,200 S 1/2012 Kuwano
 D660,786 S 5/2012 Yokomakura
 D663,682 S 7/2012 Ohara
 D664,915 S 8/2012 Maxwell et al.
 D666,964 S 9/2012 Ishida et al.
 D667,360 S 9/2012 Ishida et al.
 D668,209 S 10/2012 De Benedittis et al.
 D691,943 S 10/2013 Ma
 D696,182 S 12/2013 Sakamoto
 D710,291 S 8/2014 Mosko
 D712,820 S 9/2014 Hutz
 D716,217 S 10/2014 Rittweger
 D717,726 S 11/2014 Buchinger-Barnstorf
 D725,030 S 3/2015 Raatikainen
 D727,248 S 4/2015 Reim et al.
 D729,150 S 5/2015 Jacobs et al.
 D729,151 S 5/2015 Kim
 D729,724 S 5/2015 Mathis
 D730,272 S 5/2015 Fleckner
 D733,039 S * 6/2015 Sareen D12/579
 D734,712 S 7/2015 Kuwano et al.
 D736,145 S 8/2015 Jacobs et al.
 D738,815 S 9/2015 Dixon et al.
 D743,878 S 11/2015 Mathis
 D744,415 S 12/2015 Kawaki et al.
 D755,112 S 3/2016 Jingjing et al.
 D753,584 S 4/2016 Mathis
 D758,285 S 6/2016 Wen et al.
 D763,781 S 8/2016 Ashton
 D763,786 S 8/2016 Mathis
 D765,019 S 8/2016 Chen et al.
 D767,474 S 9/2016 Reim et al.
 D768,054 S 10/2016 Wang et al.
 D769,793 S 10/2016 Haanketo et al.
 D769,794 S 10/2016 Kujime et al.
 D773,381 S 12/2016 Chen
 D774,447 S 12/2016 Mathis
 D775,065 S 12/2016 Hanlon
 D777,652 S 1/2017 Lippert et al.
 D777,655 S 1/2017 Martin
 D778,230 S 2/2017 Haanketo et al.
 D778,233 S 2/2017 Kuwano
 D780,091 S 2/2017 Colletti et al.
 D780,098 S * 2/2017 Sareen D12/579
 D780,103 S 2/2017 Sareen
 D781,226 S 3/2017 Mathis
 D784,910 S 4/2017 Hayashi
 D784,911 S 4/2017 Hayashi
 D784,912 S 4/2017 Hayashi
 D785,544 S 5/2017 Hayashi
 D786,176 S 5/2017 Colletti et al.
 D786,776 S 5/2017 Aoki
 D786,784 S * 5/2017 Mathis D12/579
 D789,280 S 6/2017 Sanae
 D791,684 S 7/2017 Takei et al.
 D792,323 S 7/2017 Colletti et al.
 D795,149 S 8/2017 Digman et al.
 D795,163 S 8/2017 Digman et al.
 D798,224 S 9/2017 Zhang et al.
 D799,416 S 10/2017 Sato

D800,638 S 10/2017 Kwak
 D804,404 S 12/2017 Shondel
 D805,469 S 12/2017 Sato et al.
 D806,006 S 12/2017 Ronan et al.
 D806,641 S 1/2018 Fujioka
 D811,319 S 2/2018 Haas
 D815,583 S 4/2018 Iwamura
 D815,586 S 4/2018 Sareen
 D815,591 S 4/2018 Rogers et al.
 D816,020 S 4/2018 Umstot et al.
 D821,294 S 6/2018 Franklin et al.
 D826,144 S 8/2018 Ishigaki
 D827,562 S 9/2018 Rogers et al.
 D833,381 S 11/2018 Fujioka
 D842,335 S 3/2019 Shondel
 D855,556 S 8/2019 Shondel
 D859,297 S 9/2019 Liu
 D887,958 S * 6/2020 Geng D12/579
 D887,959 S * 6/2020 Geng D12/579
 D890,080 S * 7/2020 Liu D12/579

FOREIGN PATENT DOCUMENTS

EM	001953142-0002	11/2011
EM	001953142-0003	11/2011
EM	001953142-0004	11/2011
EM	001953142-0005	11/2011
EM	002521096-0001	8/2014
JP	D1112466	6/2001
JP	D1292137	1/2007
JP	1321611	2/2008
JP	1321757	2/2008
JP	1370236	10/2009
JP	1370879	10/2009
JP	D1647059	12/2019
JP	1654622	3/2020
JP	D1671033	10/2020
KR	3007250890000	1/2014
KR	3008844610000	12/2016
KR	3009929040000	8/2019
TW	D123398	6/2008

OTHER PUBLICATIONS

Toyo Tires 2007 For Passenger & Light Truck vol. 2, p. 15, (Publication Material No. HC19027077, Design Division, The Japan Patent Office).
 Toyo Tires Passenger & Light Truck Tires 2013 Product Data Book, p. 42, (Publication Material No. HC25500448, Design Division, The Japan Patent Office).
 Toyo Tire Corporation, (Published on a website), (Publication Material No. HJ30001735, Design Division, The Japan Patent Office).
 Polaris Industries, Inc., (Published on a website) (Publication Material No. HJ25054490, Design Division, The Japan Patent Office).
 Road & Track, Issue 8, vol. 60, p. 87, (Publication Material No. HB21001574, Design Division, The Japan Patent Office).
 Road & Track, Issue 8, vol. 63, p. 93, (Publication Material No. HB24002758, Design Division, The Japan Patent Office).
 Cooper Tire & Rubber Co. (Published on a website) (Publication Material No. HJ29017926, Design Division, The Japan Patent Office).
 Nexen Tire Corporation (Published on a website) (Publication Material No. HJ27044205, Design Division, The Japan Patent Office).
 Atturo Tyres, 2017 Catalog, Published in United States, 2017.
 Taiwanese Patent Office Search Report, Taiwan (R.O.C.) Design Patent Application No. 109302273, dated Mar. 4, 2021.
 Japanese Patent Office Notification, Japanese Design Patent Application No. 2020-008641, dated Sep. 8, 2020, with translation.
 Japanese Patent Office Notification, Japanese Design Patent Application No. 2020-008640, dated Sep. 8, 2020, with translation.

* cited by examiner



FIG. 1

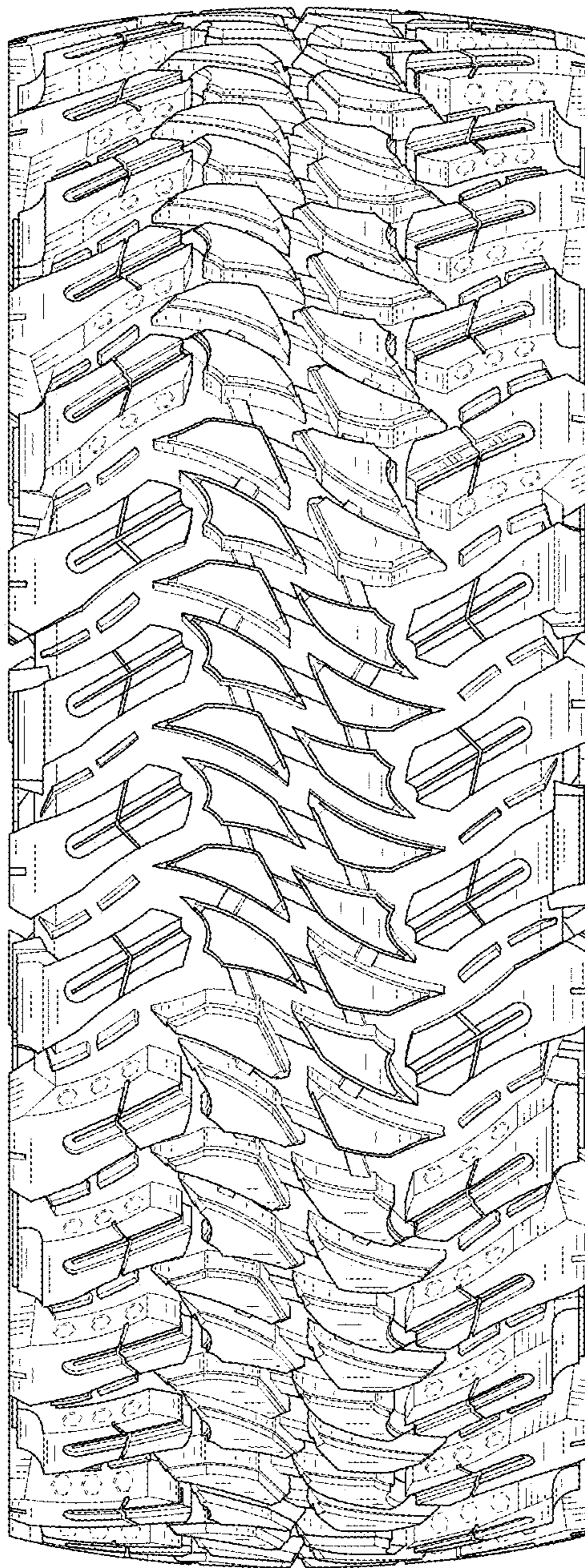


FIG. 2



FIG. 3



FIG. 4

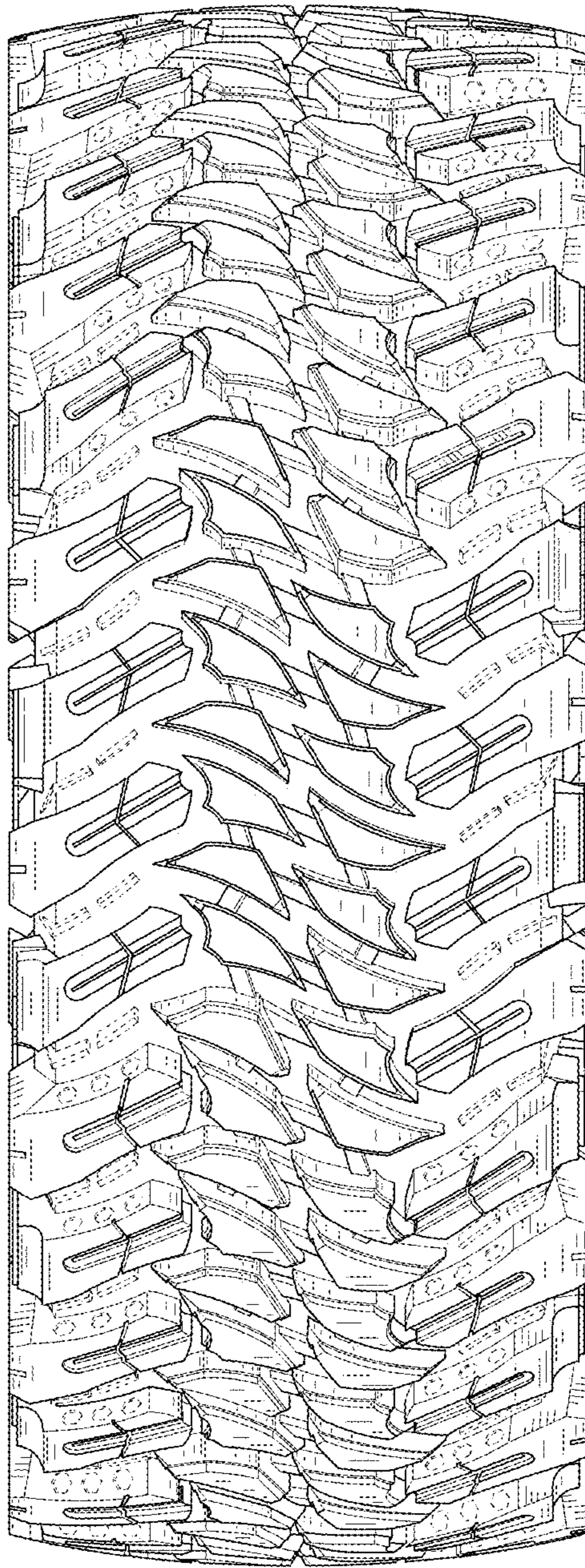


FIG. 5

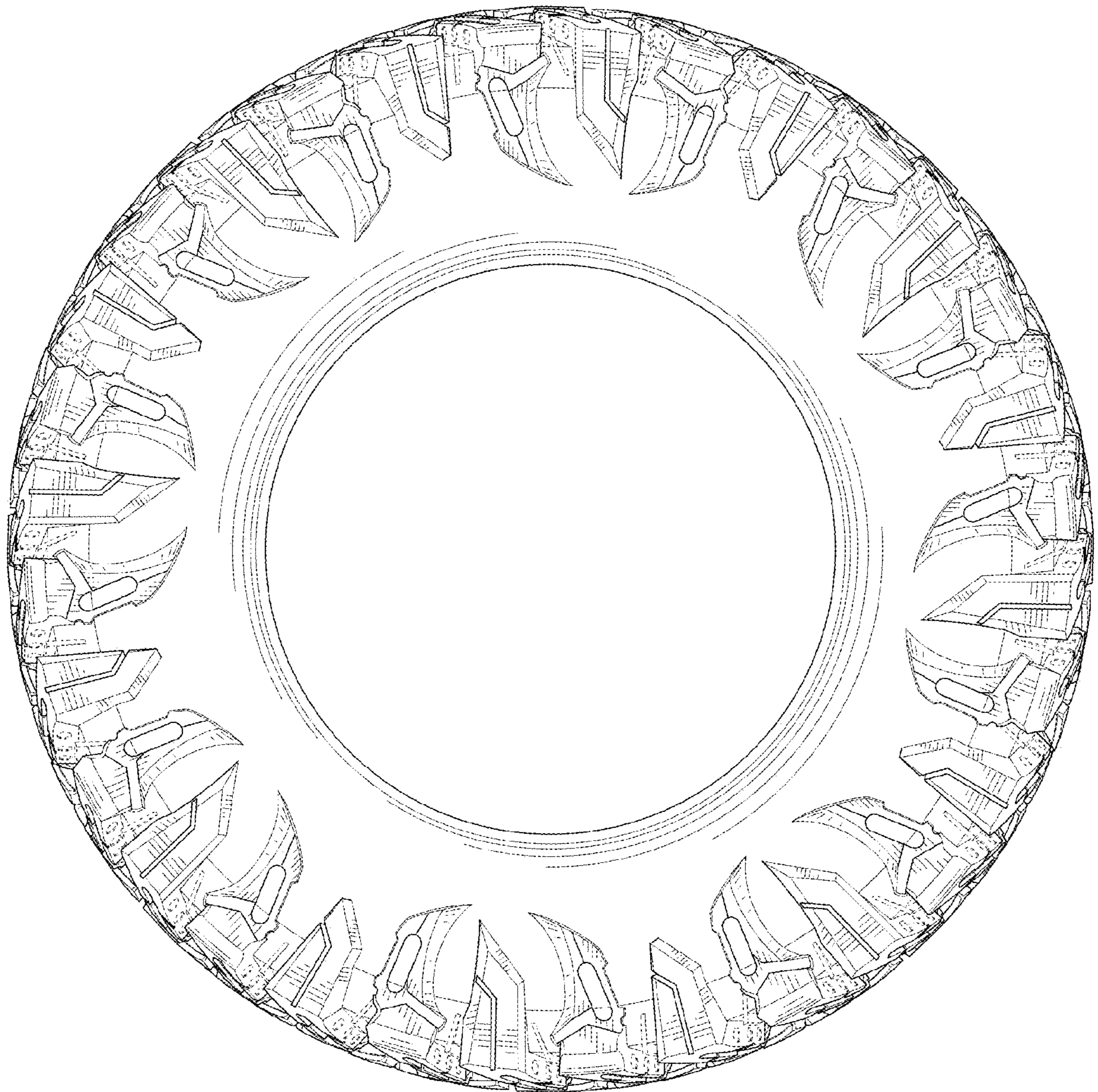


FIG. 6



FIG. 7

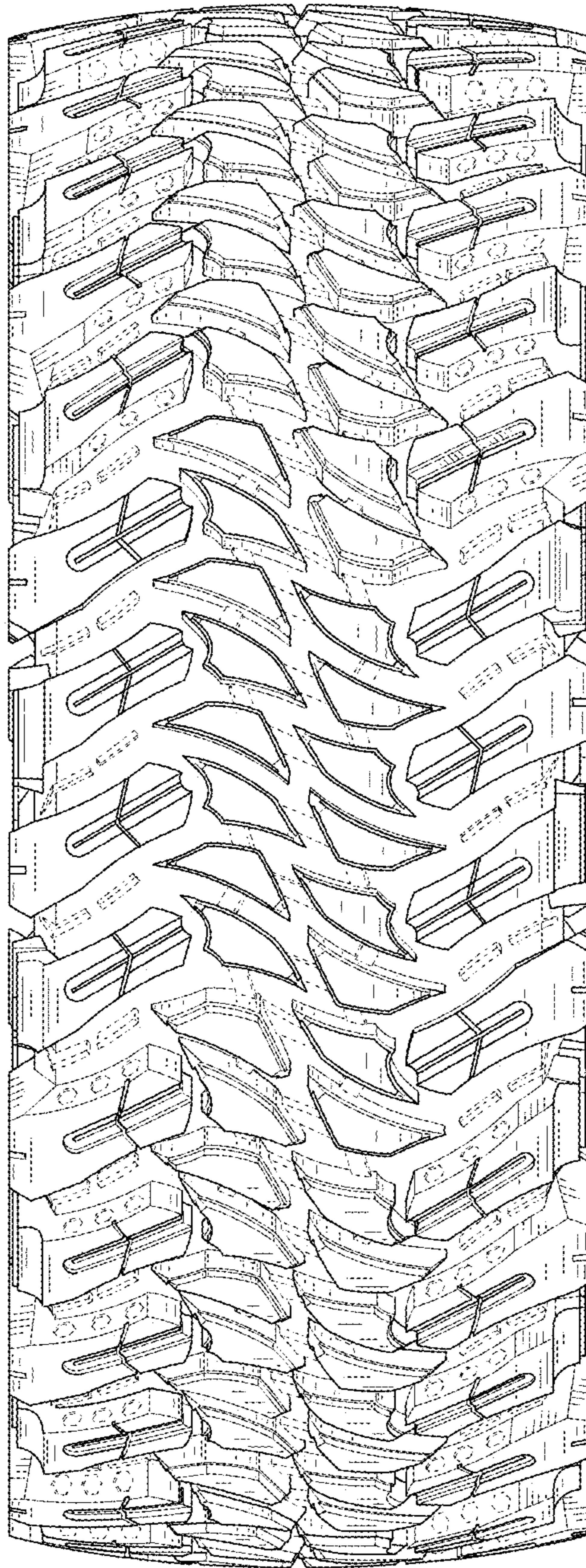


FIG. 8



FIG. 9