



US00D947752S

(12) **United States Design Patent** (10) **Patent No.:** **US D947,752 S**  
**Yu** (45) **Date of Patent:** **\*\* Apr. 5, 2022**

(54) **HITCH PLATFORM BIKE RACK**  
(71) Applicant: **XIAMEN EASEPAL ENTERPRISES LTD., Xiamen (CN)**  
(72) Inventor: **Bofeng Yu, Xianyou County (CN)**  
(\*\*) Term: **15 Years**  
(21) Appl. No.: **29/784,956**

D717,717 S 11/2014 Williams  
D727,831 S 4/2015 Eriksson et al.  
D788,019 S \* 5/2017 Kuschmeader ..... D12/408  
D789,276 S \* 6/2017 Adler ..... D12/407  
D790,434 S \* 6/2017 Adler ..... D12/408  
9,802,549 B1 \* 10/2017 Shen ..... B60R 9/10  
D813,784 S \* 3/2018 Larsson ..... D12/406  
D817,256 S \* 5/2018 Adler ..... D12/408  
10,183,627 B1 \* 1/2019 Liu ..... B60R 9/06  
D852,114 S 6/2019 Anderson et al.

(Continued)

(22) Filed: **May 22, 2021**  
(51) **LOC (13) Cl.** ..... **12-16**  
(52) **U.S. Cl.**  
USPC ..... **D12/408**  
(58) **Field of Classification Search**  
USPC ..... D12/115, 406, 407, 408, 412, 414, 402  
CPC .. B60R 9/06; B60R 9/10; B60R 9/045; B60R 9/048  
See application file for complete search history.

**OTHER PUBLICATIONS**

11 Awesome Hitch Racks That Make Life and Travel Easier; Sep. 14, 2020; <https://www.bicycling.com/bikes-gear/g20007173/hitch-mount-bike-racks/>; 19Pgs. (Year: 2020).\*

(Continued)

*Primary Examiner* — Michelle E. Wilson  
*Assistant Examiner* — Clese Moore, Jr.  
(74) *Attorney, Agent, or Firm* — Xiaofang Zhong; Law Office of Xiaofang Zhong, PLLC

(56) **References Cited**

**U.S. PATENT DOCUMENTS**

D329,035 S 9/1992 Blackburn et al.  
D399,480 S 10/1998 Brungardt et al.  
D430,533 S \* 9/2000 Peschmann ..... D12/408  
D458,579 S 6/2002 Adams et al.  
6,761,297 B1 \* 7/2004 Pedrini ..... B60R 9/10  
224/570  
7,044,347 B1 \* 5/2006 Pedrini ..... B60R 9/10  
224/570  
D608,723 S 1/2010 Flaherty et al.  
D625,247 S 10/2010 Flaherty et al.  
D628,141 S \* 11/2010 Weaver ..... D12/408  
D630,572 S \* 1/2011 Weaver ..... D12/408  
D632,635 S 2/2011 Farber  
D663,676 S 7/2012 Loken et al.  
D669,016 S \* 10/2012 Pozzi ..... D12/408  
D671,883 S 12/2012 Farber  
D672,704 S \* 12/2012 Grago ..... D12/408  
D687,762 S 8/2013 Weaver et al.  
D706,209 S \* 6/2014 Flaherty ..... D12/407

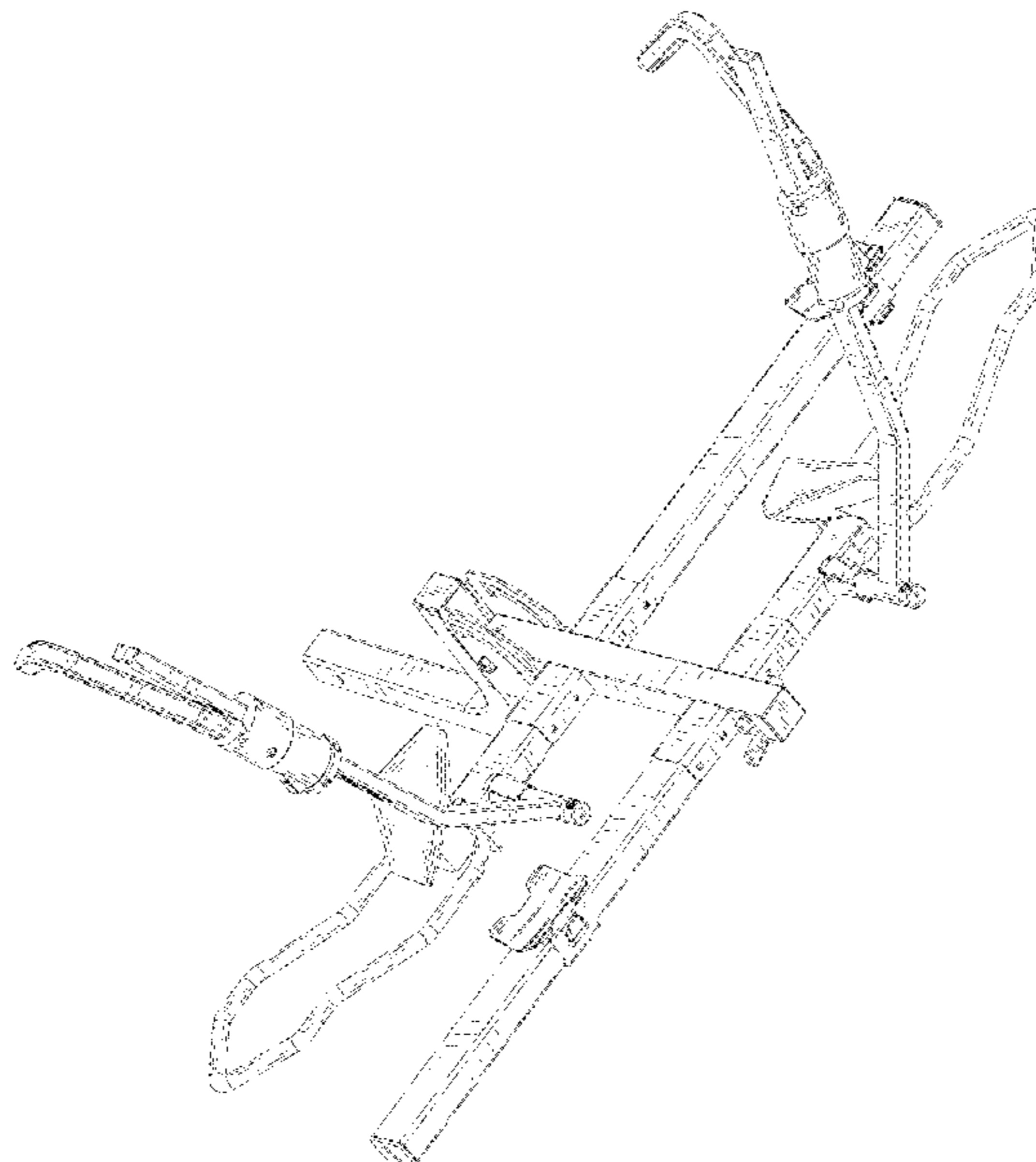
(57) **CLAIM**

The ornamental design for a hitch platform bike rack, as shown and described.

**DESCRIPTION**

FIG. 1 is a perspective view of a hitch platform bike rack showing my new design;  
FIG. 2 is another perspective view of the hitch platform bike rack thereof;  
FIG. 3 is a front elevational view thereof;  
FIG. 4 is a back elevational view thereof;  
FIG. 5 is a left side elevational view thereof;  
FIG. 6 is a right side elevational view thereof;  
FIG. 7 is a top plan view thereof; and,  
FIG. 8 is a bottom plan view thereof.

**1 Claim, 8 Drawing Sheets**



(56)

**References Cited**

U.S. PATENT DOCUMENTS

D865,644 S 11/2019 Furuya et al.  
D877,685 S \* 3/2020 Larsson ..... D12/406  
D880,368 S 4/2020 Pinnell  
2006/0060622 A1\* 3/2006 Prenger ..... B60R 9/10  
224/924  
2008/0164292 A1\* 7/2008 Farney ..... B60R 9/10  
224/324  
2008/0230579 A1\* 9/2008 Wang ..... B60R 9/10  
224/400  
2009/0120984 A1\* 5/2009 Sautter ..... B60R 9/10  
224/532  
2010/0320247 A1\* 12/2010 Wang ..... B60R 9/10  
224/567  
2013/0062383 A1\* 3/2013 Jeli ..... B60R 9/10  
224/549  
2013/0062385 A1\* 3/2013 Pedrini ..... B60R 9/10  
224/501  
2017/0349111 A1\* 12/2017 Ramsdell ..... B60R 9/06  
2018/0001830 A1\* 1/2018 Olaison ..... B60R 9/10  
2018/0072237 A1\* 3/2018 Kuschmeader ..... B60R 9/10

OTHER PUBLICATIONS

HoldUp EVO Premium Tray Hitch Bike Rack; Nov. 1, 2020;  
<https://yakima.com/products/holdup-evo>; 6Pgs. (Year: 2020).\*

\* cited by examiner

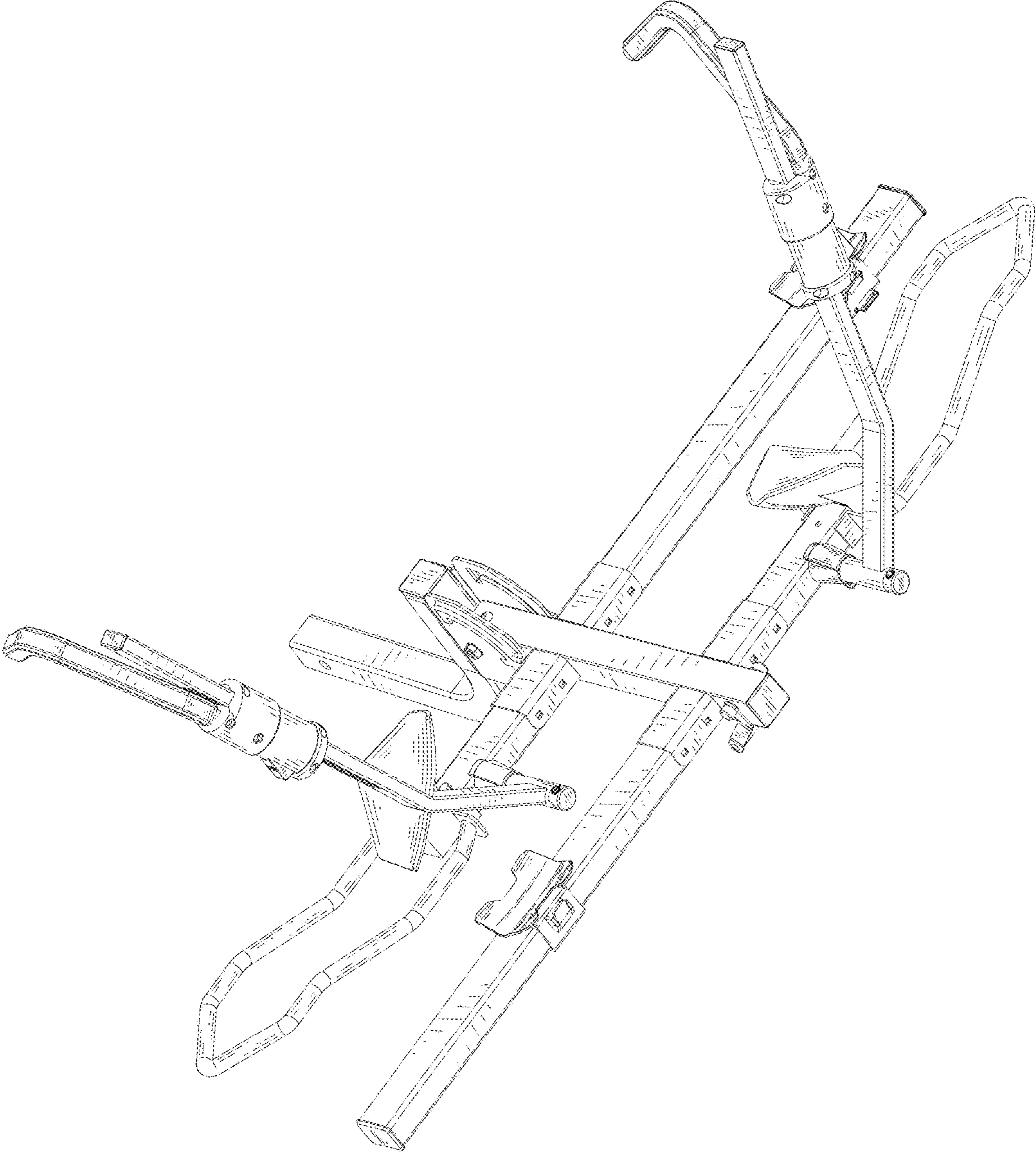


FIG.1

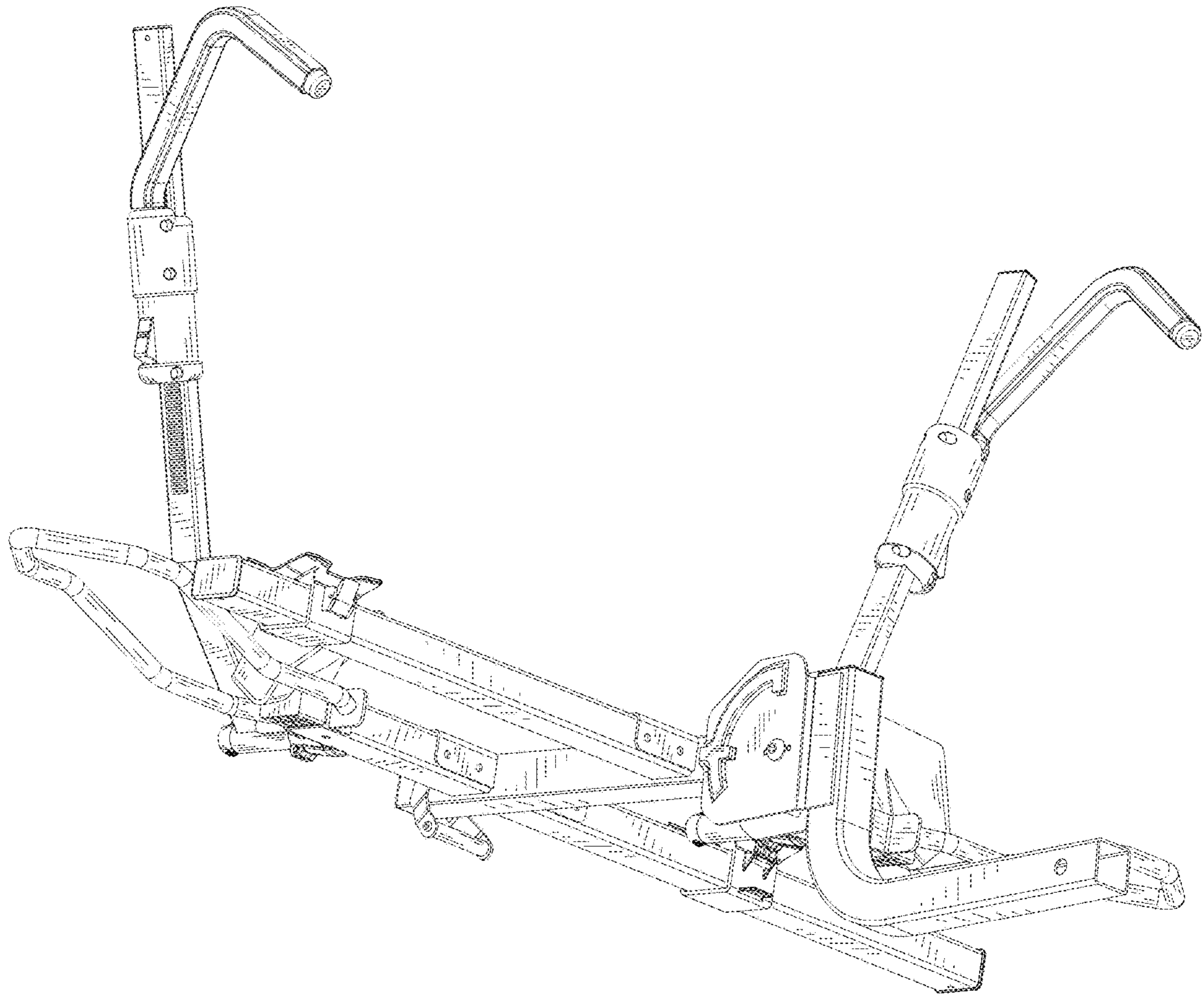


FIG.2

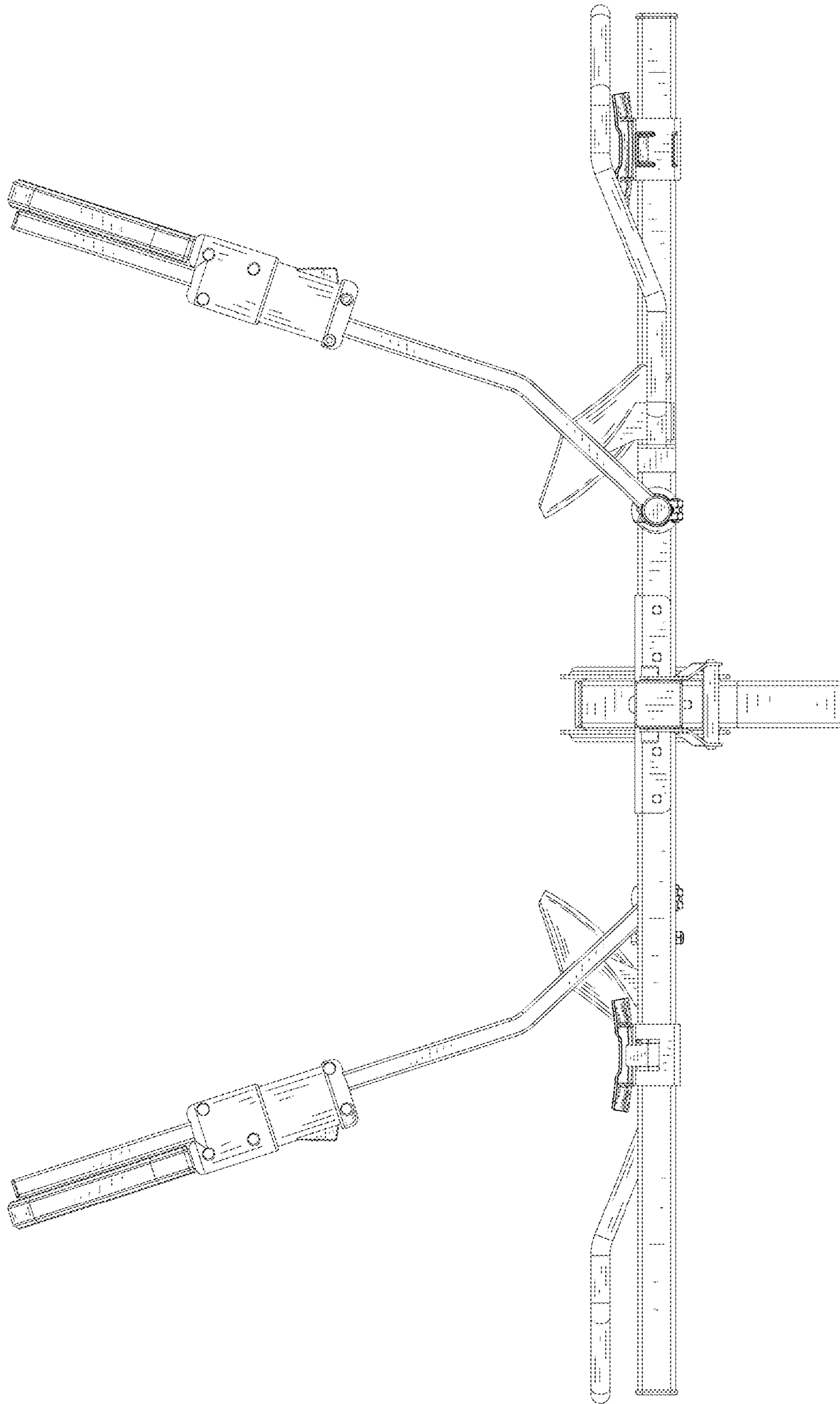


FIG. 3

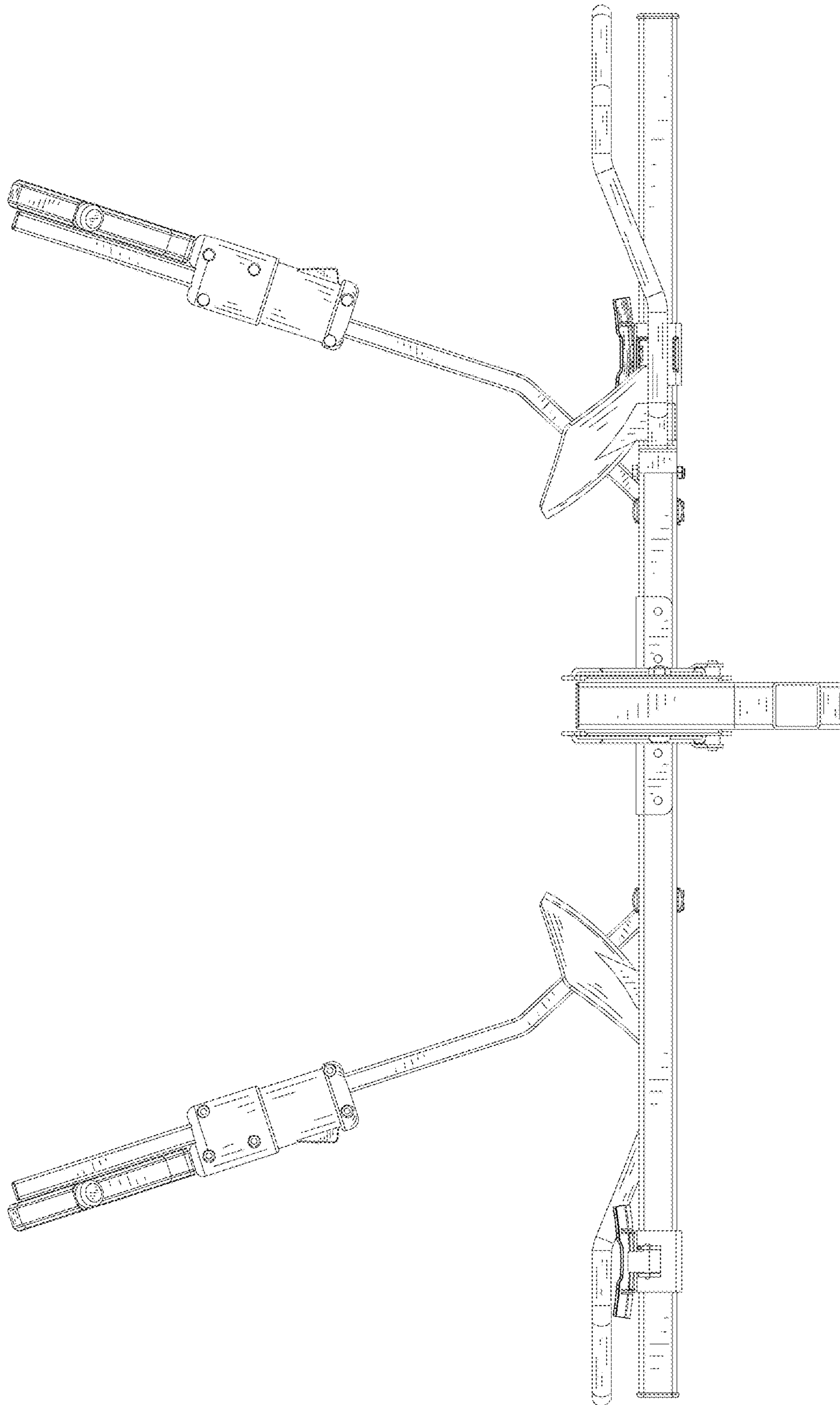


FIG. 4

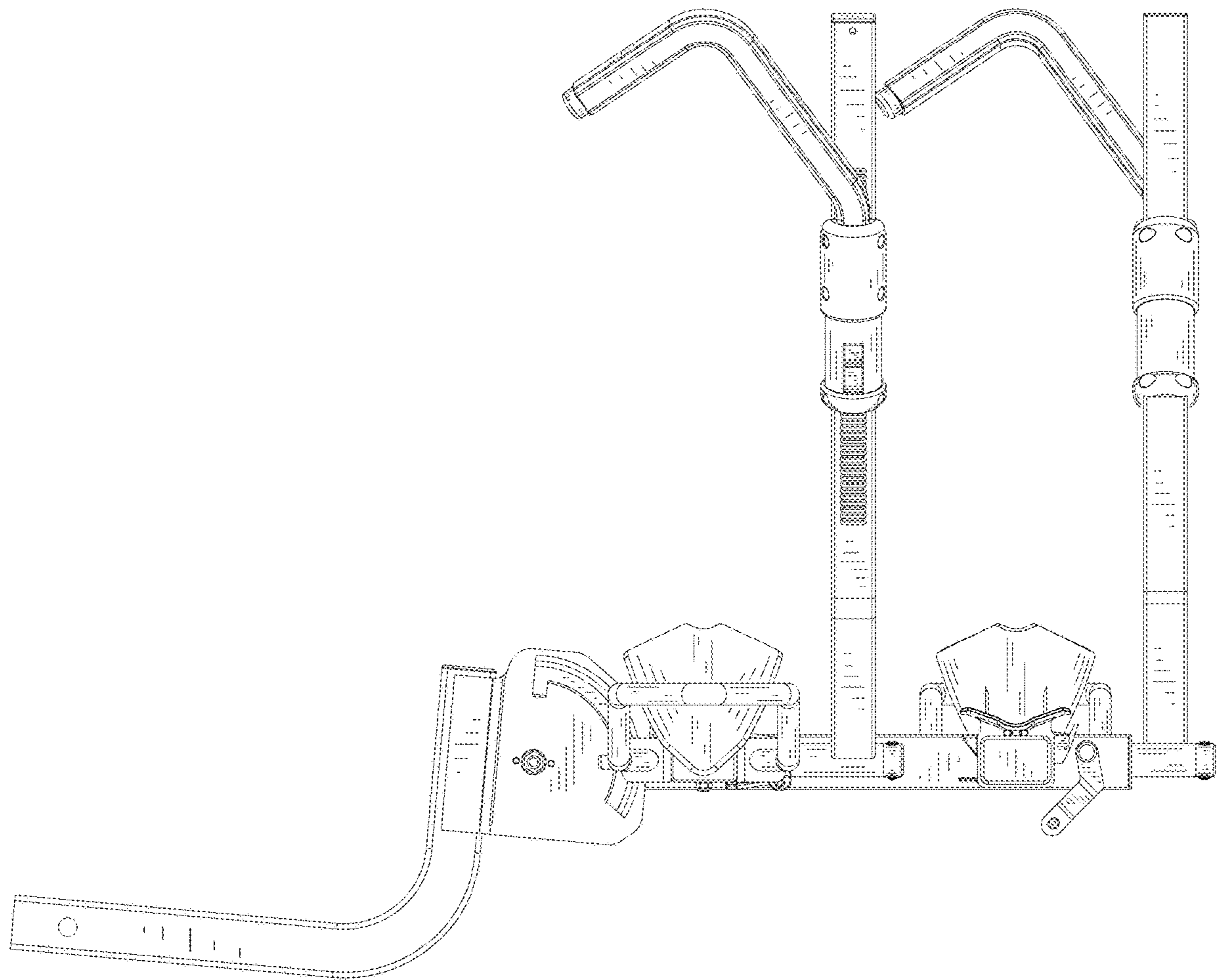


FIG. 5

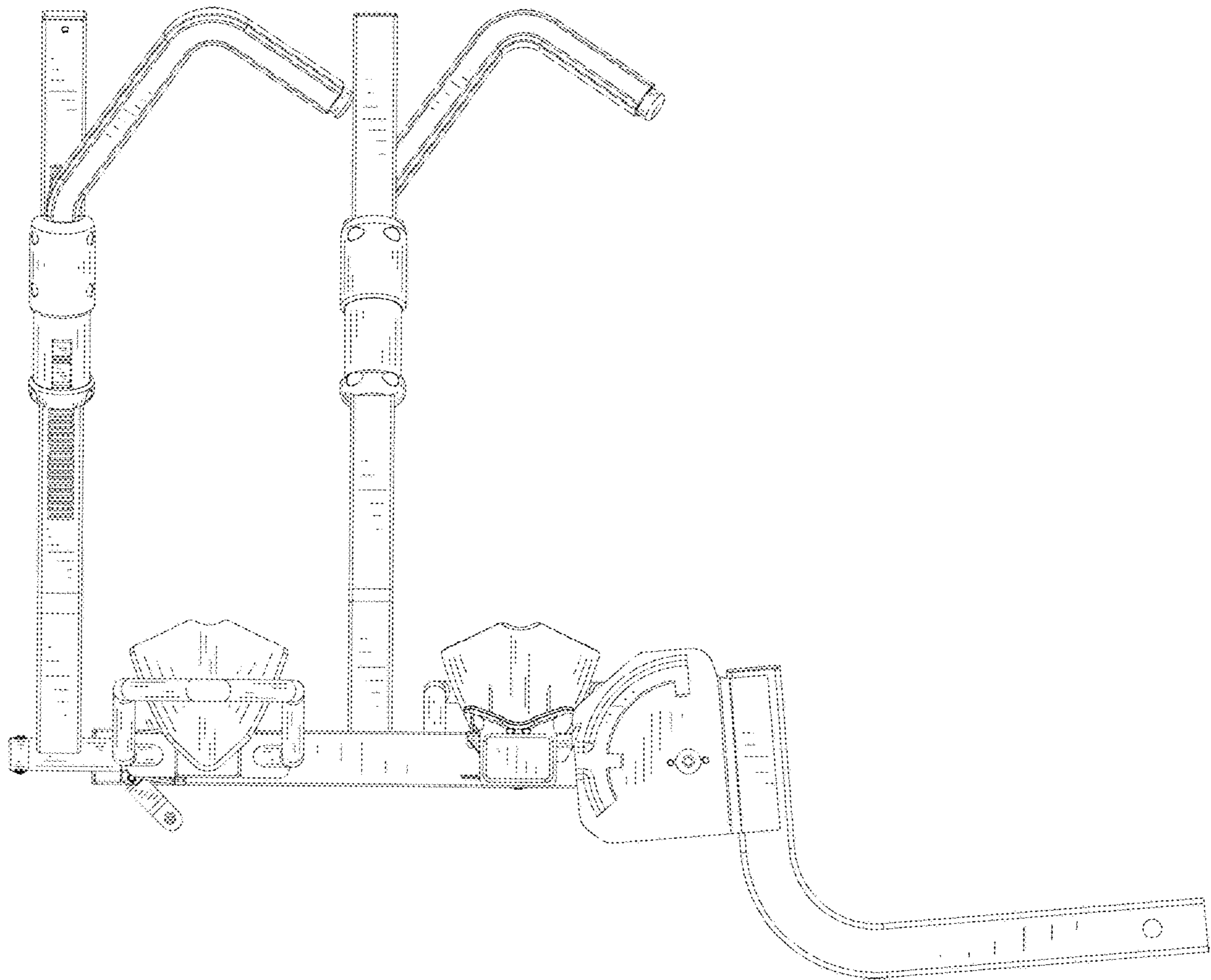


FIG. 6



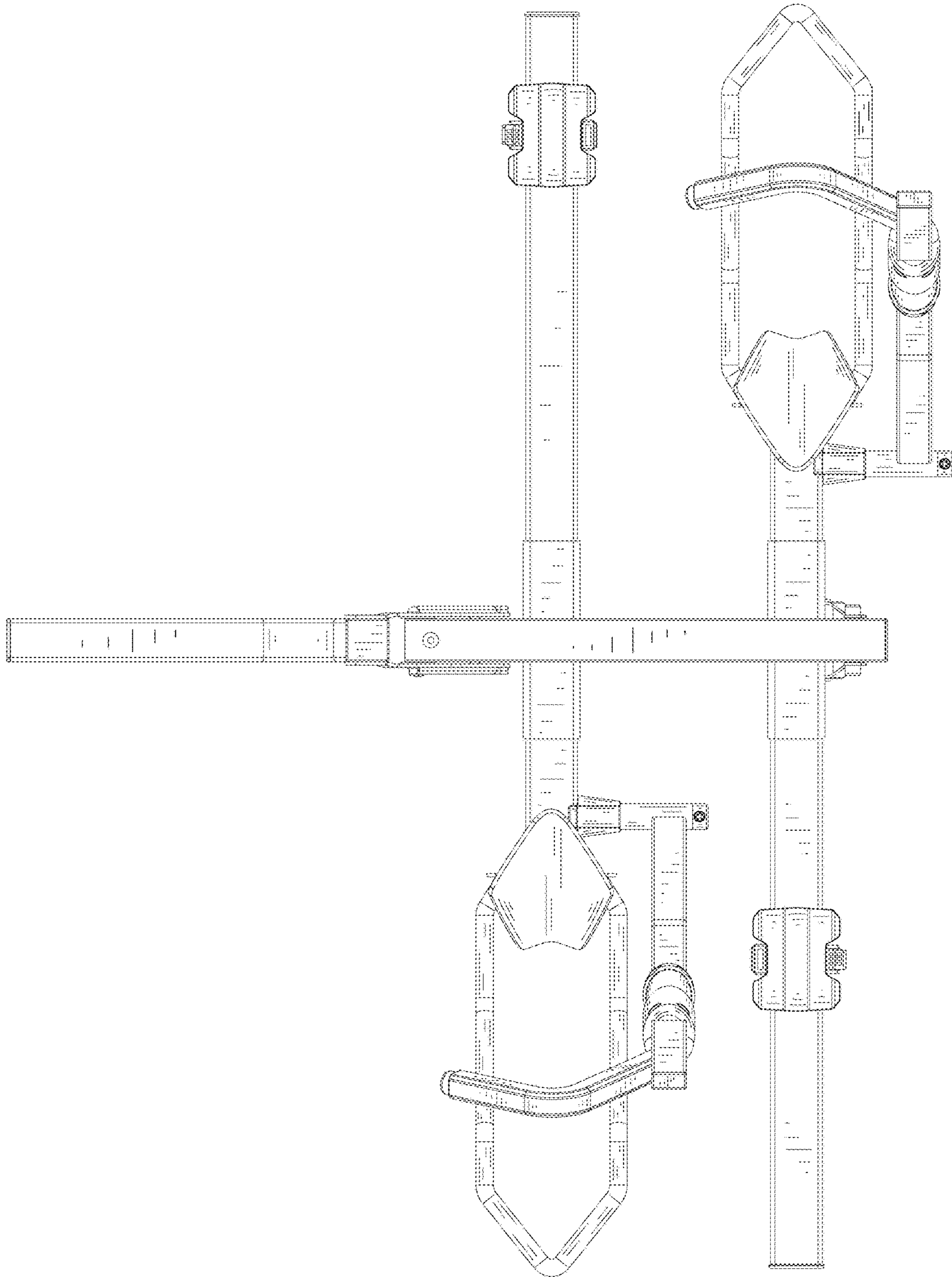


FIG. 7

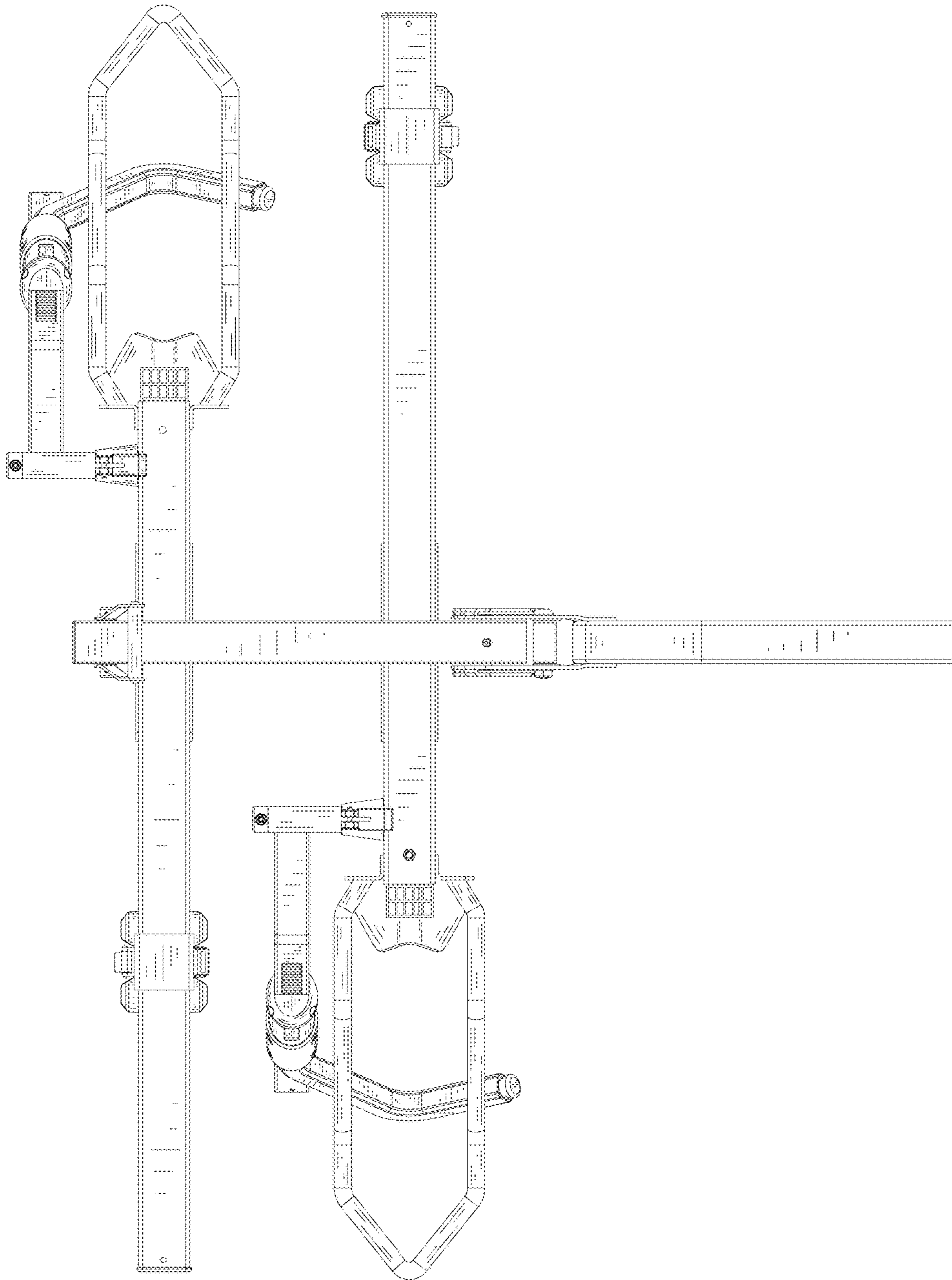


FIG. 8