



US00D947751S

(12) **United States Design Patent**  
**Hu et al.**

(10) **Patent No.:** **US D947,751 S**

(45) **Date of Patent:** **\*\* Apr. 5, 2022**

(54) **LUGGAGE CARRIER FOR CYCLES OR MOTORCYCLES**

(71) Applicant: **Beijing Niu Information Technology Co., Ltd., Beijing (CN)**

(72) Inventors: **Yilin Hu, Beijing (CN); Chuankai Liu, Beijing (CN); Xuewu Zhang, Beijing (CN); Yuancheng Liu, Beijing (CN)**

(73) Assignee: **BEIJING NIU INFORMATION TECHNOLOGY CO., LTD., Beijing (CN)**

(\*\*) Term: **15 Years**

(21) Appl. No.: **29/755,327**

(22) Filed: **Oct. 19, 2020**

(30) **Foreign Application Priority Data**

Apr. 23, 2020 (CN) ..... 202030171335.6

(51) **LOC (13) Cl.** ..... **12-11**

(52) **U.S. Cl.**  
USPC ..... **D12/407**

(58) **Field of Classification Search**  
USPC ..... D12/407, 408, 406, 410, 114, 111, 110, D12/115, 117, 119  
CPC ..... B62J 7/00; B62J 7/04; B62J 9/00; B62J 9/20; B62J 9/23  
See application file for complete search history.

(56) **References Cited**

**U.S. PATENT DOCUMENTS**

D271,389 S *	11/1983	Turkington	.....	D12/407
D285,426 S *	9/1986	Blackburn	.....	D12/407
D299,818 S *	2/1989	Blackburn	.....	D12/407
D303,781 S *	10/1989	Pletscher	.....	D12/407
D310,808 S *	9/1990	Kosecoff	.....	D12/407

D324,016 S *	2/1992	Hsu	.....	D12/407
D331,382 S *	12/1992	Newbold	.....	D12/407
D331,736 S *	12/1992	Newbold	.....	D12/407
D336,877 S *	6/1993	Fenton	.....	D12/406
D342,473 S *	12/1993	Konecny	.....	D12/407
5,332,134 A *	7/1994	Chen	.....	B62J 7/04 224/422
D352,267 S *	11/1994	Blackburn	.....	D12/407
D363,266 S *	10/1995	Ropp	.....	D12/407
D369,138 S *	4/1996	Gotschi	.....	D12/407
D374,422 S *	10/1996	Gogan	.....	D12/407
D374,652 S *	10/1996	Gogan	.....	D12/407
D376,344 S *	12/1996	Gogan	.....	D12/407
D385,250 S *	10/1997	Dunn	.....	D12/407
D391,918 S *	3/1998	Dunn	.....	D12/407
D430,531 S *	9/2000	Bally	.....	D12/407
D605,577 S *	12/2009	Maguire	.....	D12/407
D735,635 S *	8/2015	Sonnentag	.....	D12/407

(Continued)

*Primary Examiner* — Michelle E. Wilson

*Assistant Examiner* — Clese Moore, Jr.

(74) *Attorney, Agent, or Firm* — Dragon Sun Law Firm, PC; Jinggao Li, Esq.

(57) **CLAIM**

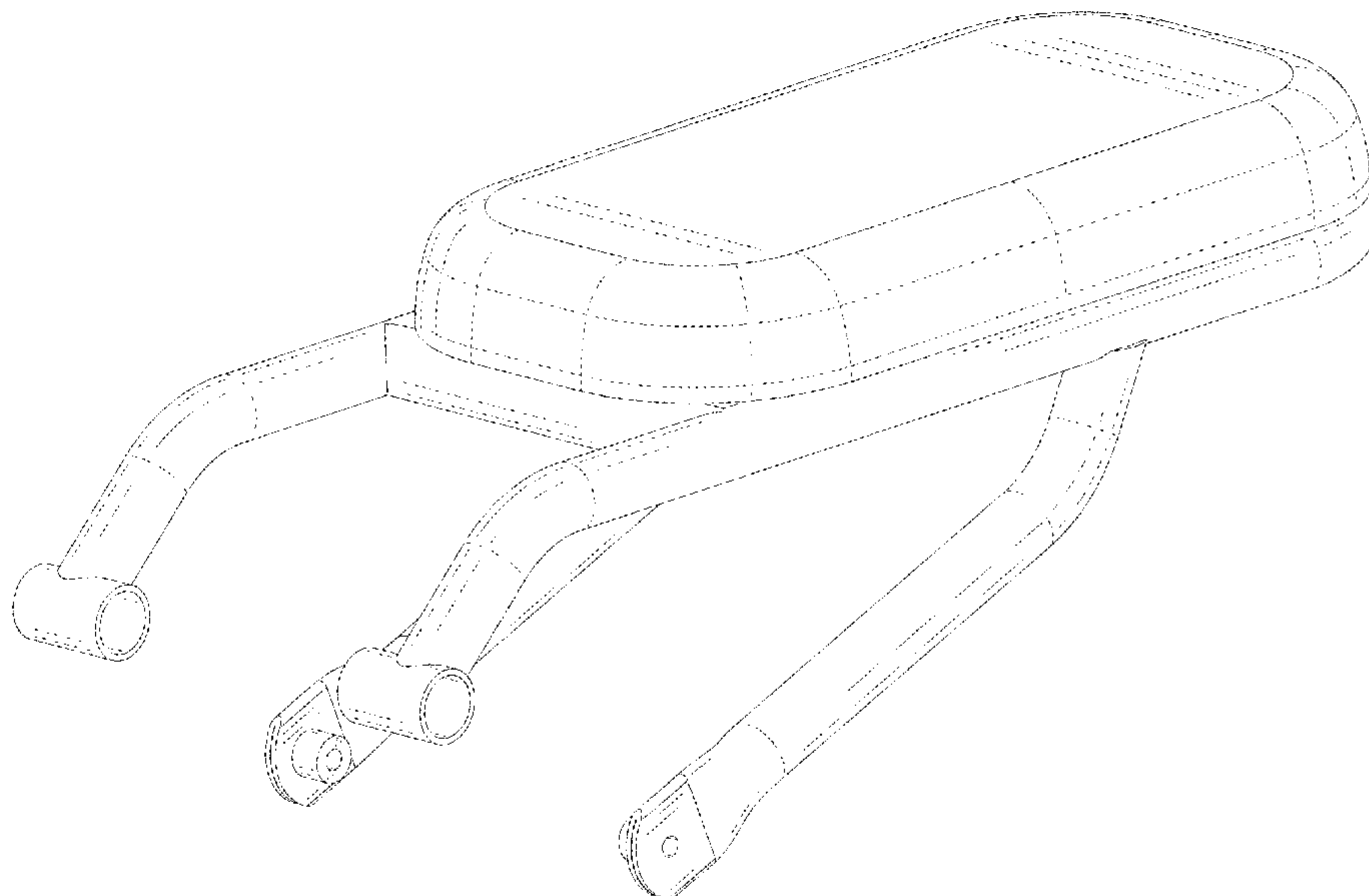
The ornamental design for a luggage carrier for cycles or motorcycles, as shown and described.

**DESCRIPTION**

FIG. 1 is a perspective view of a luggage carrier for cycles or motorcycles showing my new design;  
FIG. 2 is a front view thereof;  
FIG. 3 is a rear view thereof;  
FIG. 4 is an enlarged left view thereof;  
FIG. 5 is an enlarged right view thereof;  
FIG. 6 is a top view thereof; and,  
FIG. 7 is a bottom view thereof.

The broken lines shown in the figures depict portions of the luggage carrier for cycles or motorcycles that form no part of the claimed design.

**1 Claim, 7 Drawing Sheets**



(56)

**References Cited**

U.S. PATENT DOCUMENTS

D751,492 S *	3/2016	Kobayashi .....	D12/407
D817,854 S *	5/2018	Motherwell .....	D12/407
D836,495 S *	12/2018	Maffe' .....	D12/115
2012/0061434 A1 *	3/2012	Giguere .....	B62J 7/04 224/412

\* cited by examiner

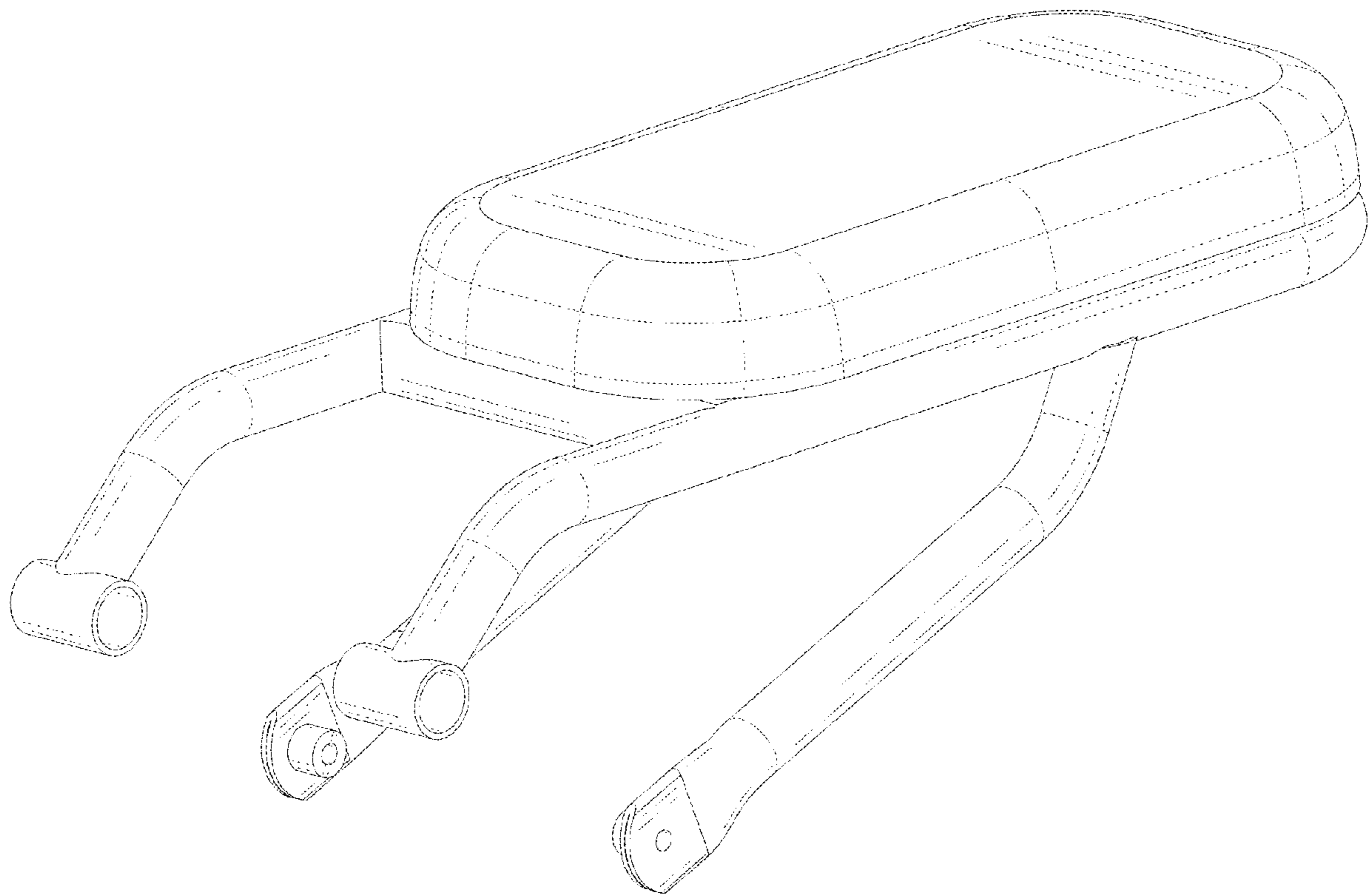


FIG. 1

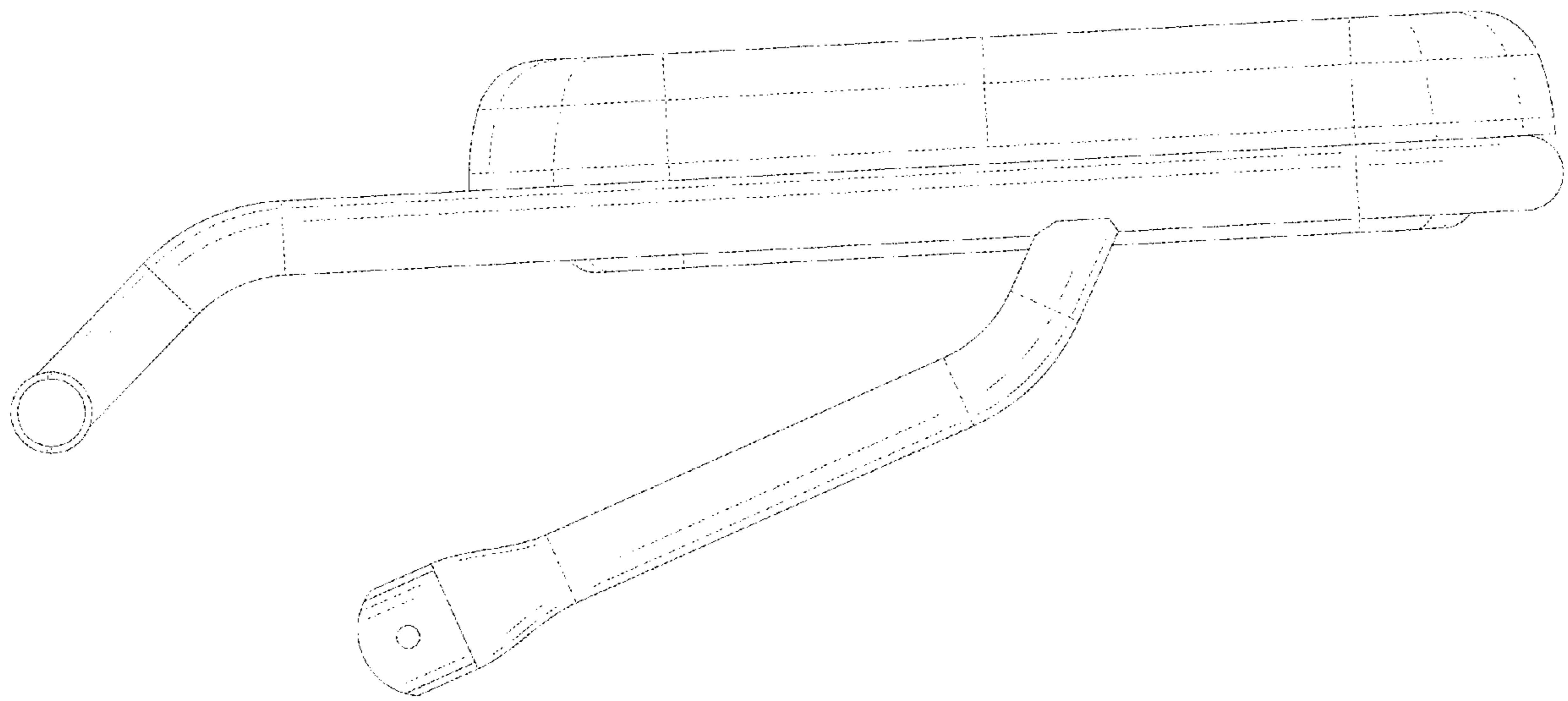


FIG. 2

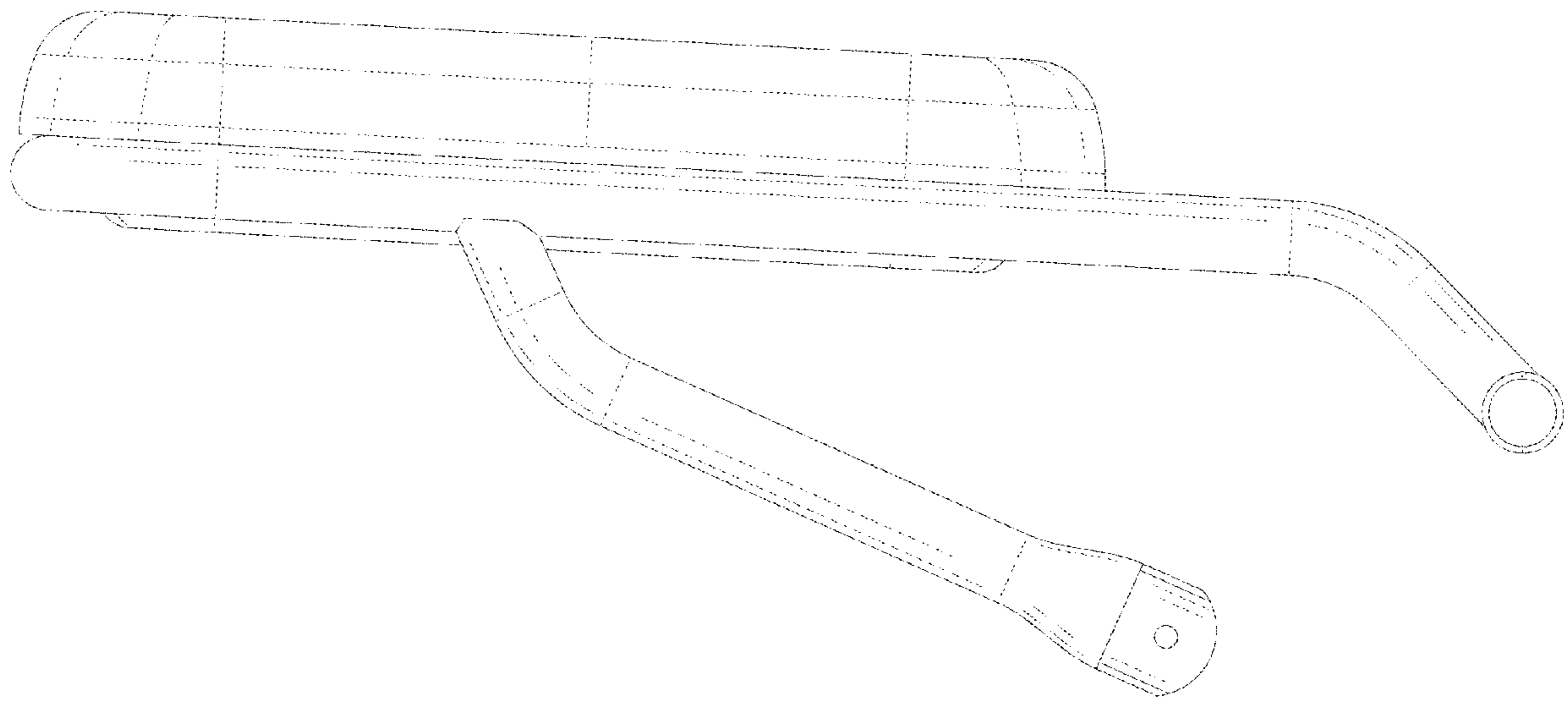


FIG. 3

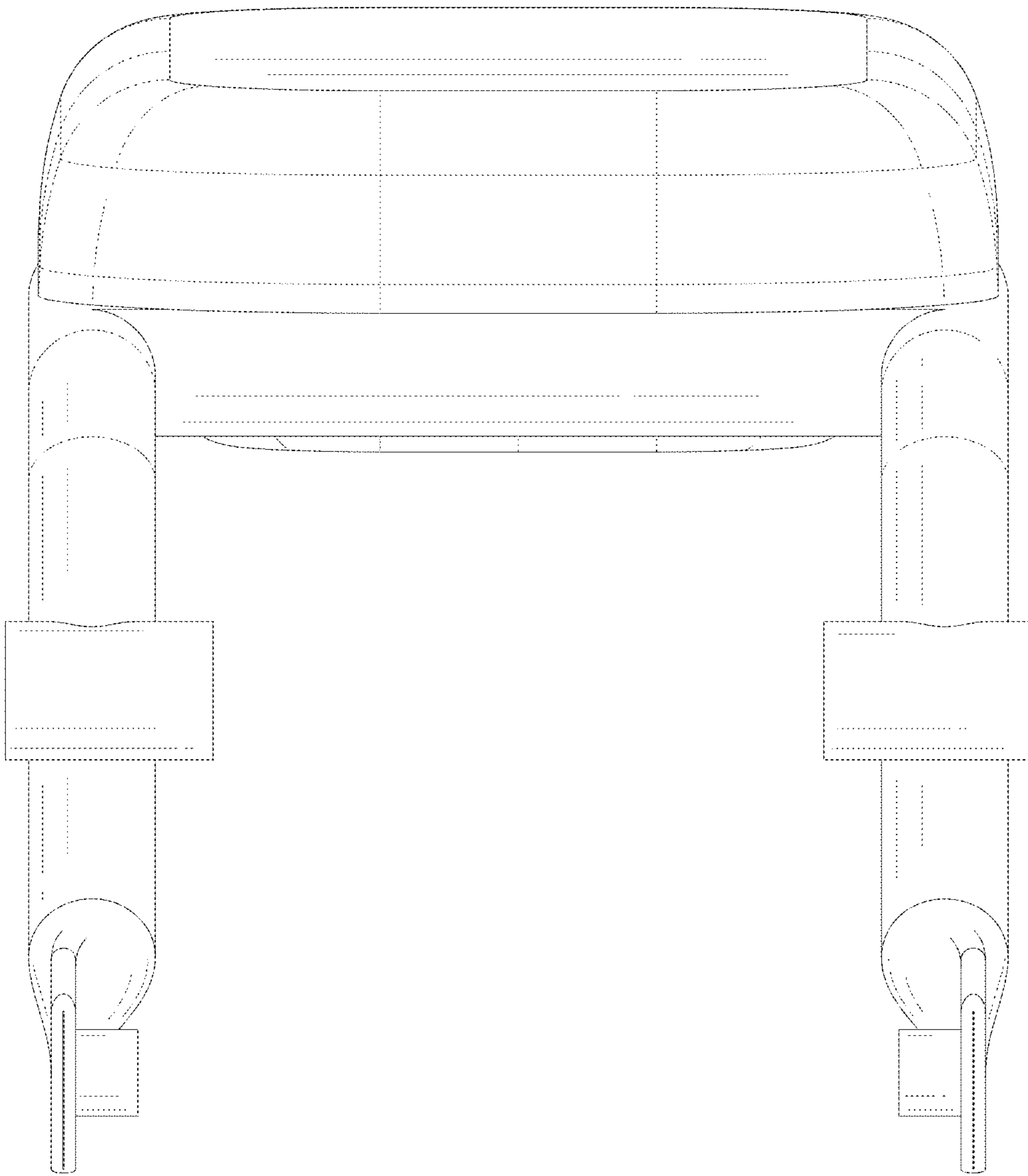


FIG. 4

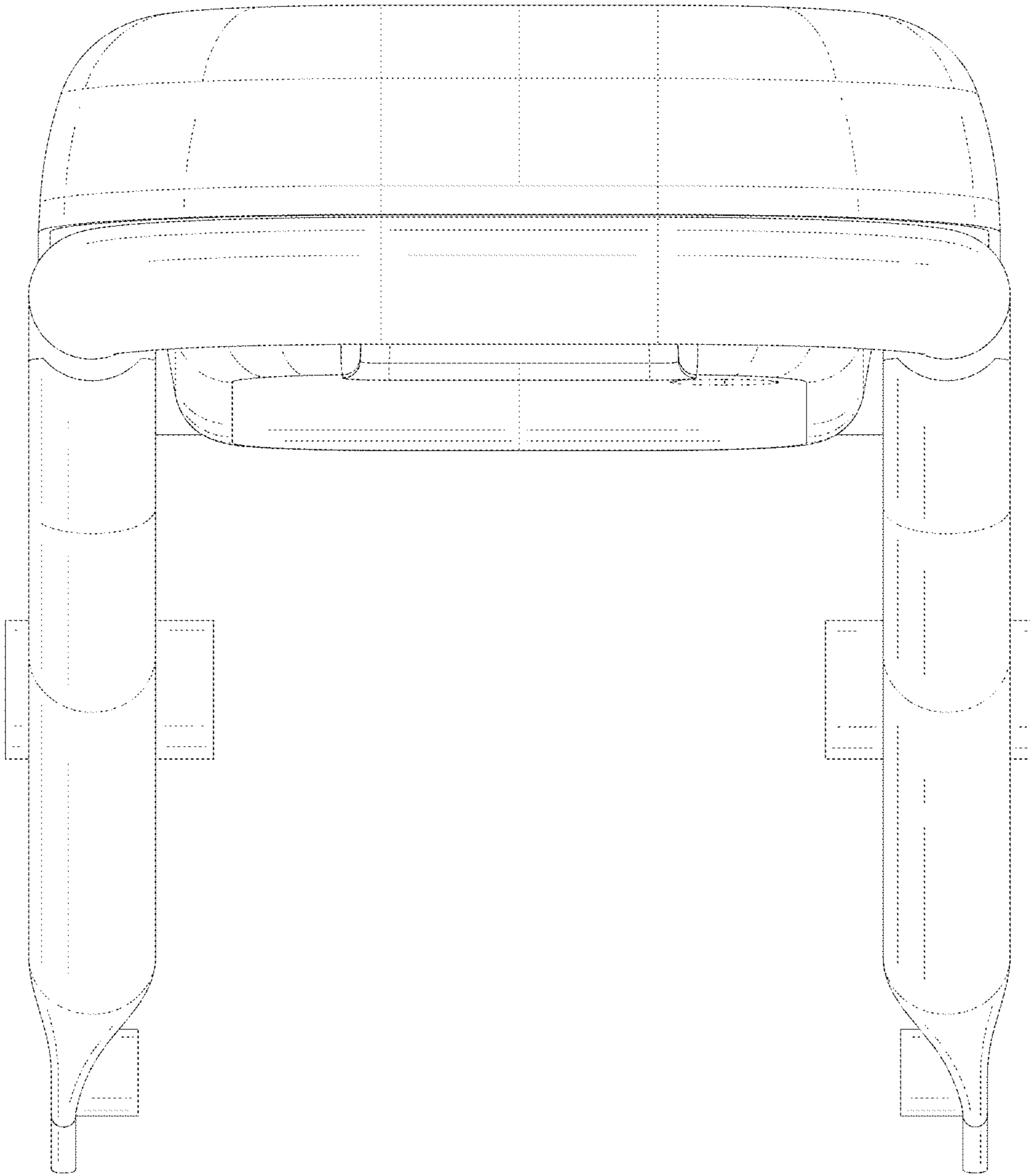


FIG. 5



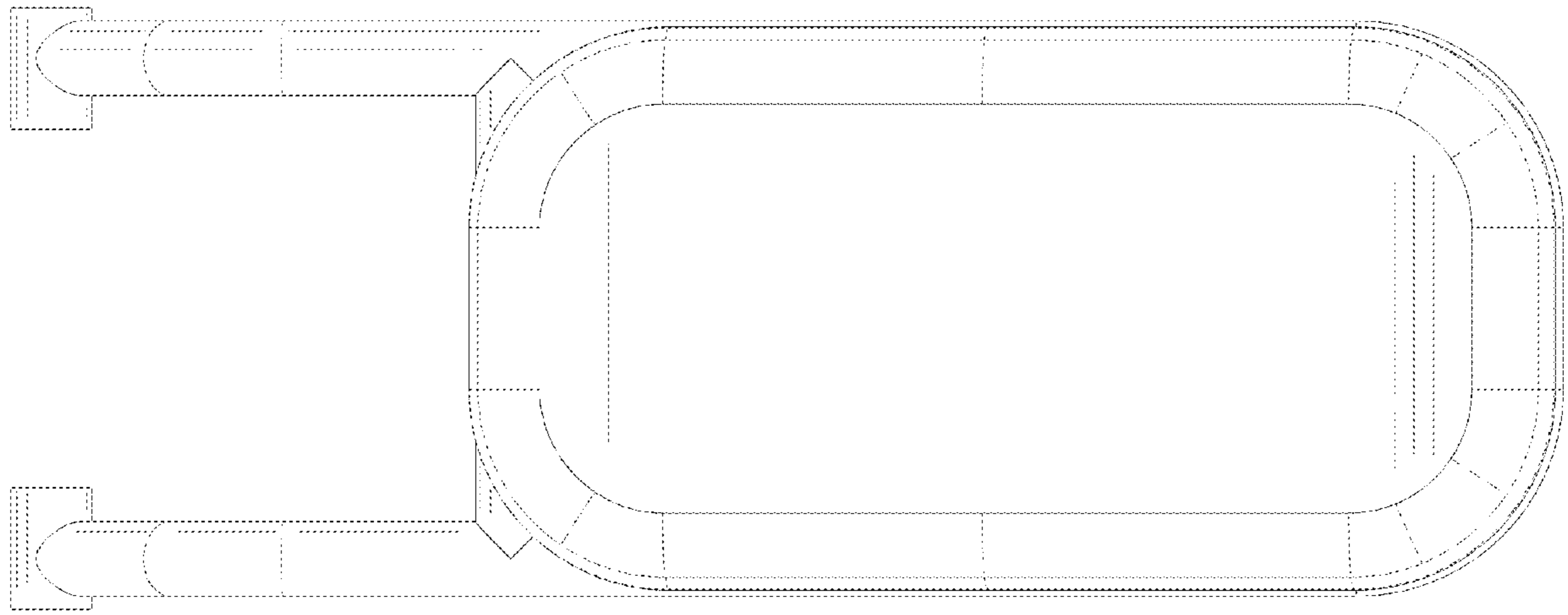


FIG. 6



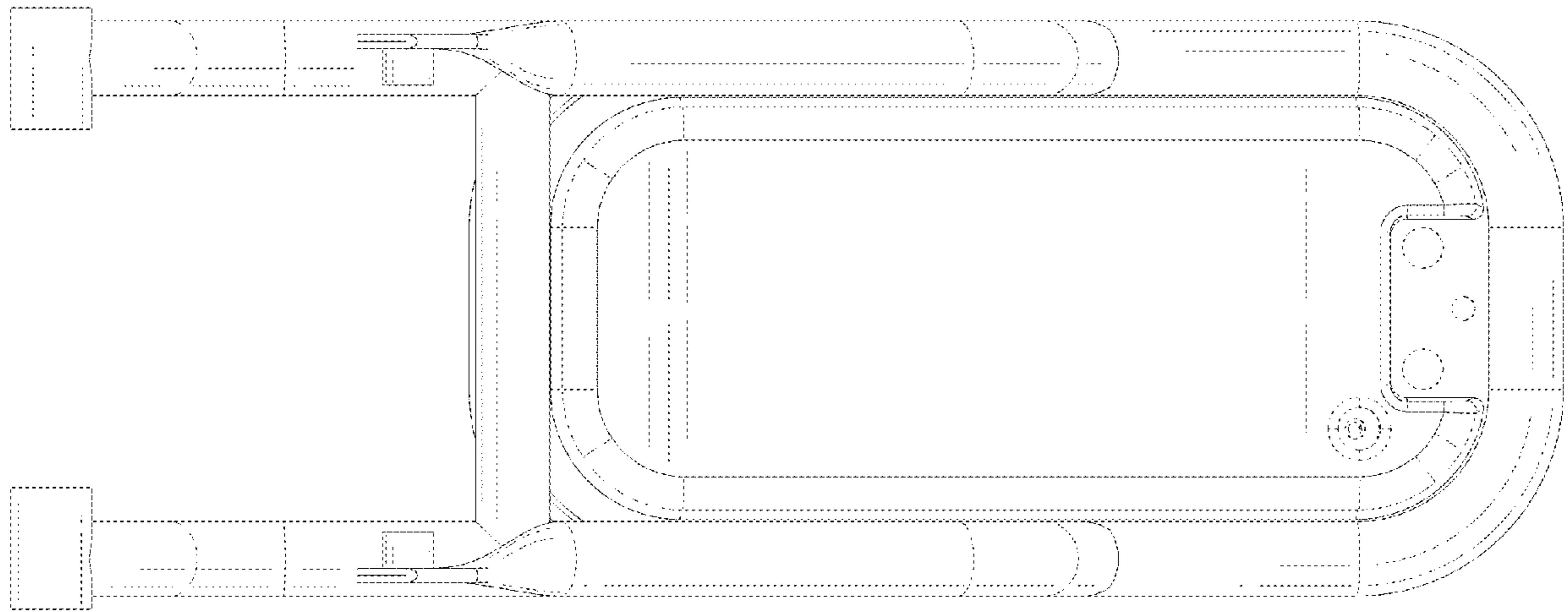


FIG. 7