



US00D947750S

(12) **United States Design Patent** (10) **Patent No.:** **US D947,750 S**
Asquith et al. (45) **Date of Patent:** **** Apr. 5, 2022**

(54) **TRUCK BED FRAME ASSEMBLY**
(71) Applicant: **Rhino Rack Australia Pty Limited**,
Eastern Creek (AU)
(72) Inventors: **Warren Asquith**, Mount Annan (AU);
William Davis, Lugarno (AU); **Sam**
Whelan, Cronulla (AU)
(73) Assignee: **Rhino Rack Australia Pty Limited**,
Eastern Creek (AU)

D300,813 S 4/1989 Kamaya
5,314,104 A 5/1994 Lee
5,494,327 A 2/1996 Derecktor
5,848,743 A 12/1998 Derecktor
D496,323 S * 9/2004 Buseman D12/412
7,296,837 B2 11/2007 Niedziela
D582,337 S 12/2008 Derecktor
7,464,977 B1 12/2008 Price
8,668,125 B2 3/2014 Williams
9,132,784 B2 9/2015 Harrison

(Continued)

(**) Term: **15 Years**

OTHER PUBLICATIONS

(21) Appl. No.: **29/733,182**

New Rhino-Rack Truck Bed Rack, Published Nov. 8, 2019 [online],
[retrieved on Jun. 14, 2021]. Retrieved from the Internet: <https://www.rackoutfitters.com/blog/first-look-new-rhinorack-mid-and-full-height-pickup-truck-bed-racks/> (Year: 2019).*

(22) Filed: **Apr. 30, 2020**

(Continued)

(30) **Foreign Application Priority Data**

Oct. 31, 2019 (AU) 201916231
Oct. 31, 2019 (AU) 201916232

Primary Examiner — Cary M Robinson

Assistant Examiner — Adam C Mager

(51) **LOC (13) Cl.** **12-16**

(74) *Attorney, Agent, or Firm* — Bill R. Naifeh

(52) **U.S. Cl.**
USPC **D12/406**

(58) **Field of Classification Search**
USPC D12/401, 402, 403, 404, 405, 406, 407,
D12/408, 409, 410, 411, 412, 413, 414;
D32/35, 58; D6/317, 318, 319
CPC B60R 9/00; B60R 9/02; B60R 9/04; B60R
9/042; B60R 9/0423; B60R 9/0426; B60R
9/045; B60R 9/048; B60R 9/0485; B60R
9/05; B60R 9/052; B60R 9/058; B60R
9/06; B60R 9/08; B60R 9/10; B60R 9/12;
B60R 2011/0042; B60R 11/00; B60P
7/0815; B60P 3/40; B62D 33/0207; Y10T
29/49622

See application file for complete search history.

(56) **References Cited**

U.S. PATENT DOCUMENTS

3,253,755 A * 5/1966 Bott B60R 9/045
224/321
3,273,768 A * 9/1966 Duer B60R 9/12
224/315

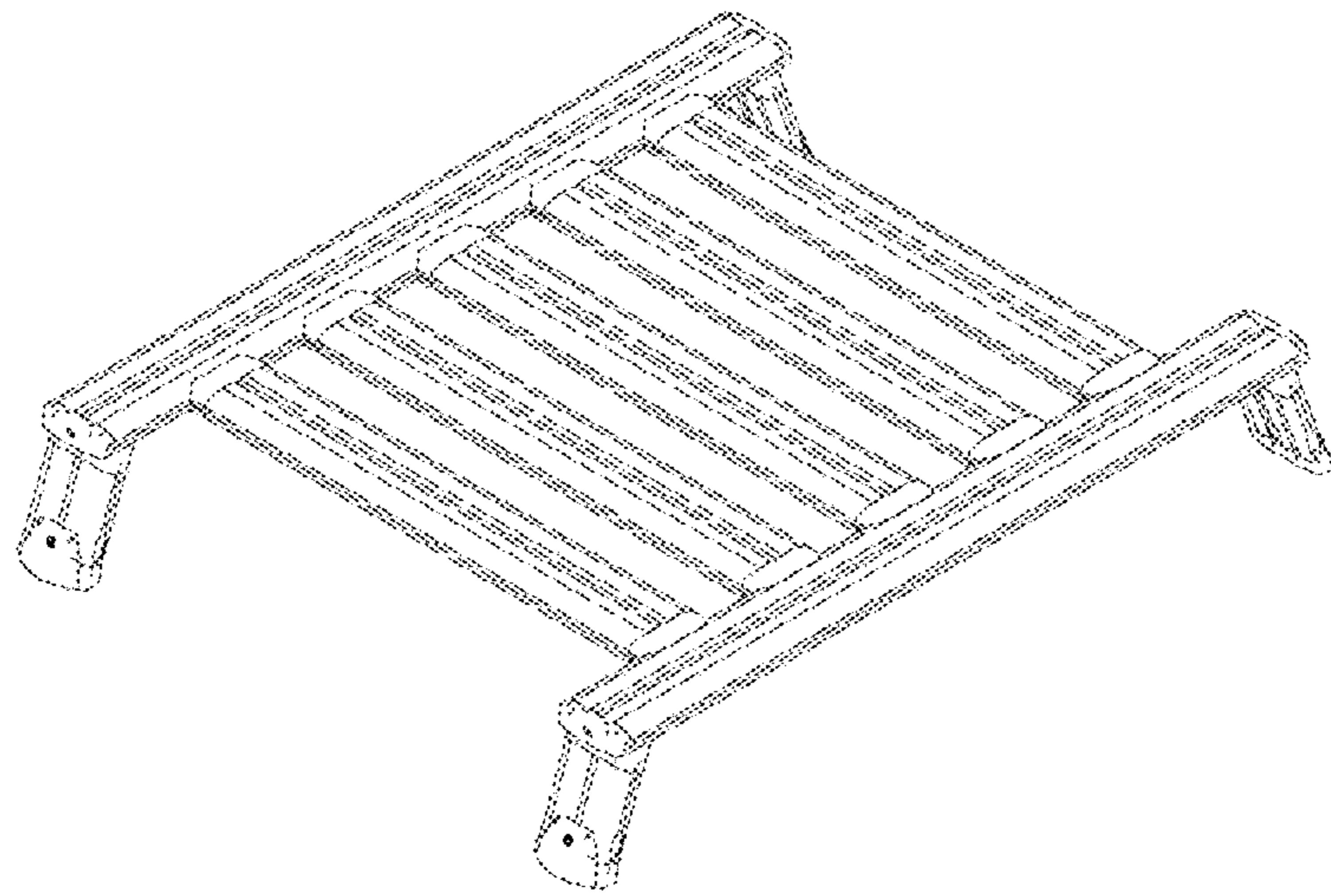
(57) **CLAIM**

We claim the ornamental design for a truck bed frame assembly, as shown and described.

DESCRIPTION

FIG. 1 is an isometric view of a truck bed frame assembly; FIG. 2 is a front elevation view thereof and is a mirror image of the back elevation view; FIG. 3 is a left side elevation view thereof and is a mirror image of the right side elevation view; FIG. 4 is a top plan view thereof; and, FIG. 5 is a bottom plan view thereof.

1 Claim, 4 Drawing Sheets



(56)

References Cited

U.S. PATENT DOCUMENTS

D815,581 S * 4/2018 Anderson D12/406
 D856,262 S * 8/2019 Marankie D12/412
 10,421,385 B2 9/2019 Chambers
 D865,645 S * 11/2019 Wisiak D12/412
 10,543,790 B2 1/2020 Marr
 D879,013 S * 3/2020 Connellan D12/412
 D881,791 S * 4/2020 Ni D12/406
 D890,684 S * 7/2020 Ekstrom D12/406
 D893,397 S * 8/2020 Ekstrom D12/406
 D902,127 S * 11/2020 Ajam D12/412
 D905,616 S 12/2020 Badillo
 10,940,803 B2 3/2021 Ni
 D921,568 S 6/2021 Xia
 2004/0211802 A1 10/2004 Levi
 2004/0232718 A1 11/2004 Kerns
 2008/0100075 A1 5/2008 Derecktor
 2009/0026784 A1 1/2009 Green
 2010/0072237 A1 3/2010 Green
 2010/0288808 A1 11/2010 Marr

2013/0229025 A1 9/2013 Johnasen
 2014/0034693 A1 2/2014 Perry
 2015/0258940 A1 9/2015 Breeden, III
 2017/0028931 A1* 2/2017 Arvidsson B60R 9/055
 2018/0326915 A1* 11/2018 Dickinson B60R 9/045
 2019/0367101 A1 12/2019 McFadden
 2019/0375337 A1* 12/2019 Gauci B60R 9/058
 2020/0223371 A1* 7/2020 Menegazzo B60R 9/048
 2020/0406826 A1 12/2020 Ni
 2020/0406827 A1 12/2020 Ni

OTHER PUBLICATIONS

Yakima Outpost HD Bed Rack, Published dated unavailable [online],
<https://www.northridge4x4.com/part/jtpkg-yakima-bed-rack-package>
 (2021).
 Syneticusa Truck Bed Rack, published Nov. 5, 2020 [online],
https://www.amazon.com/Syneticusa-Overhaul-Adjustable-Compatible-Silverado/dp/B08MSXYFHP/ref=sr_1_1?dchild=1&keywords=B08MSXYFHP&qid=1623710599&s=automotive&sr=1-1
 (2020).

* cited by examiner

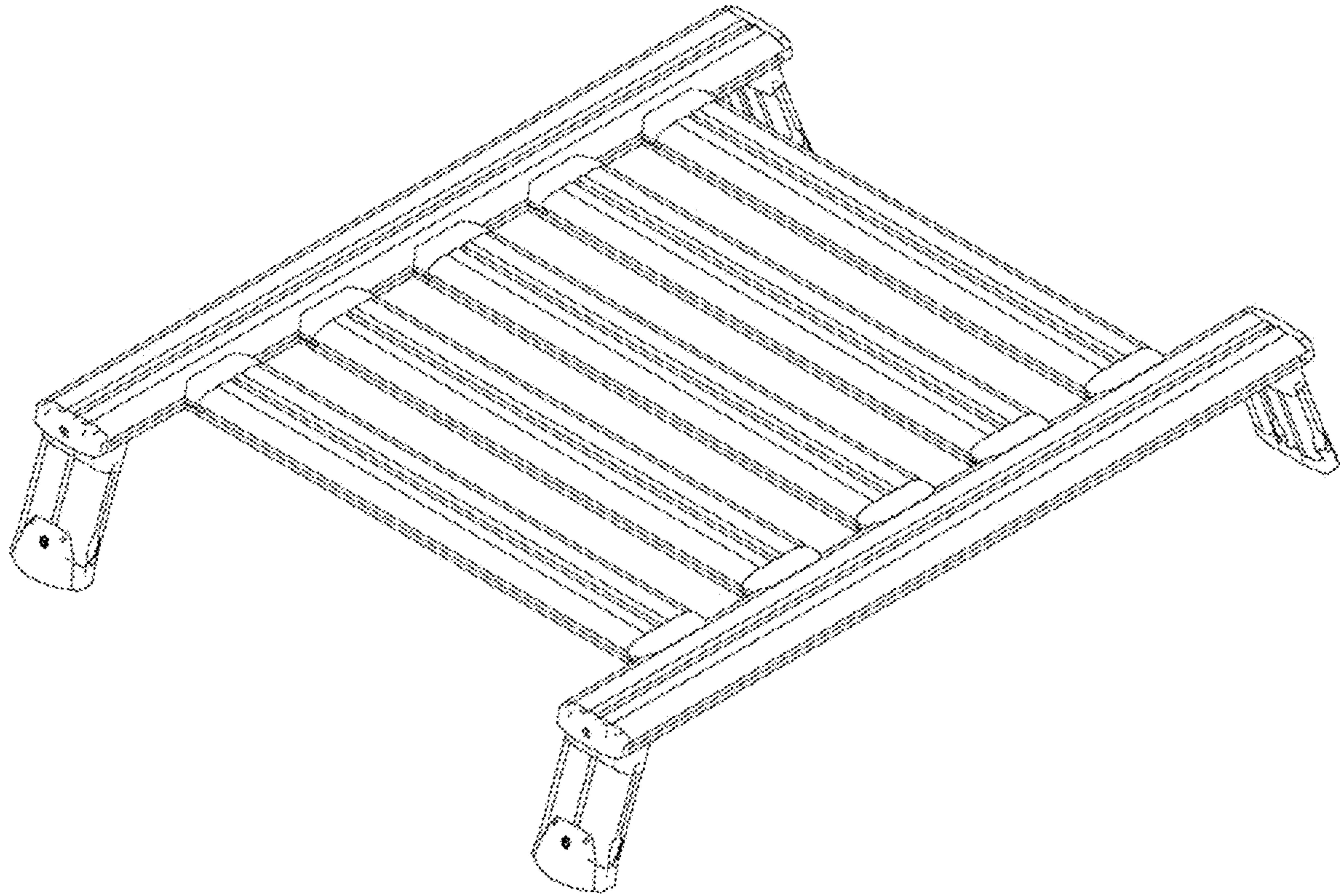


Fig. 1

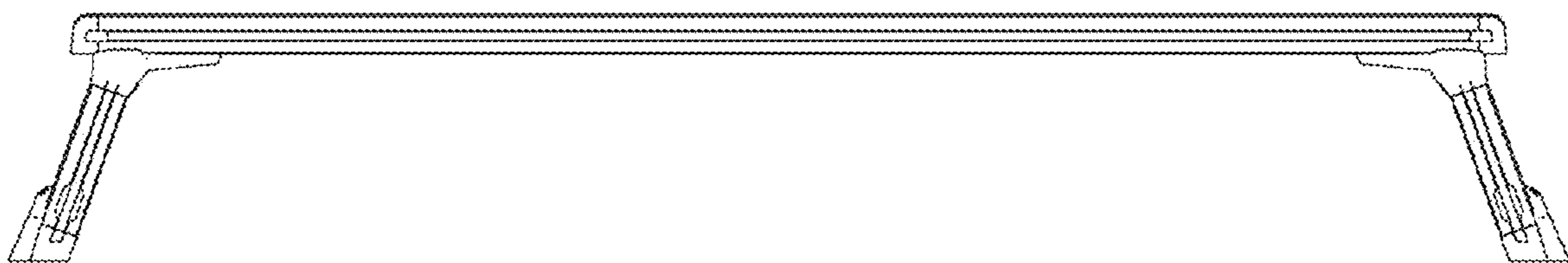


Fig. 2



Fig. 3

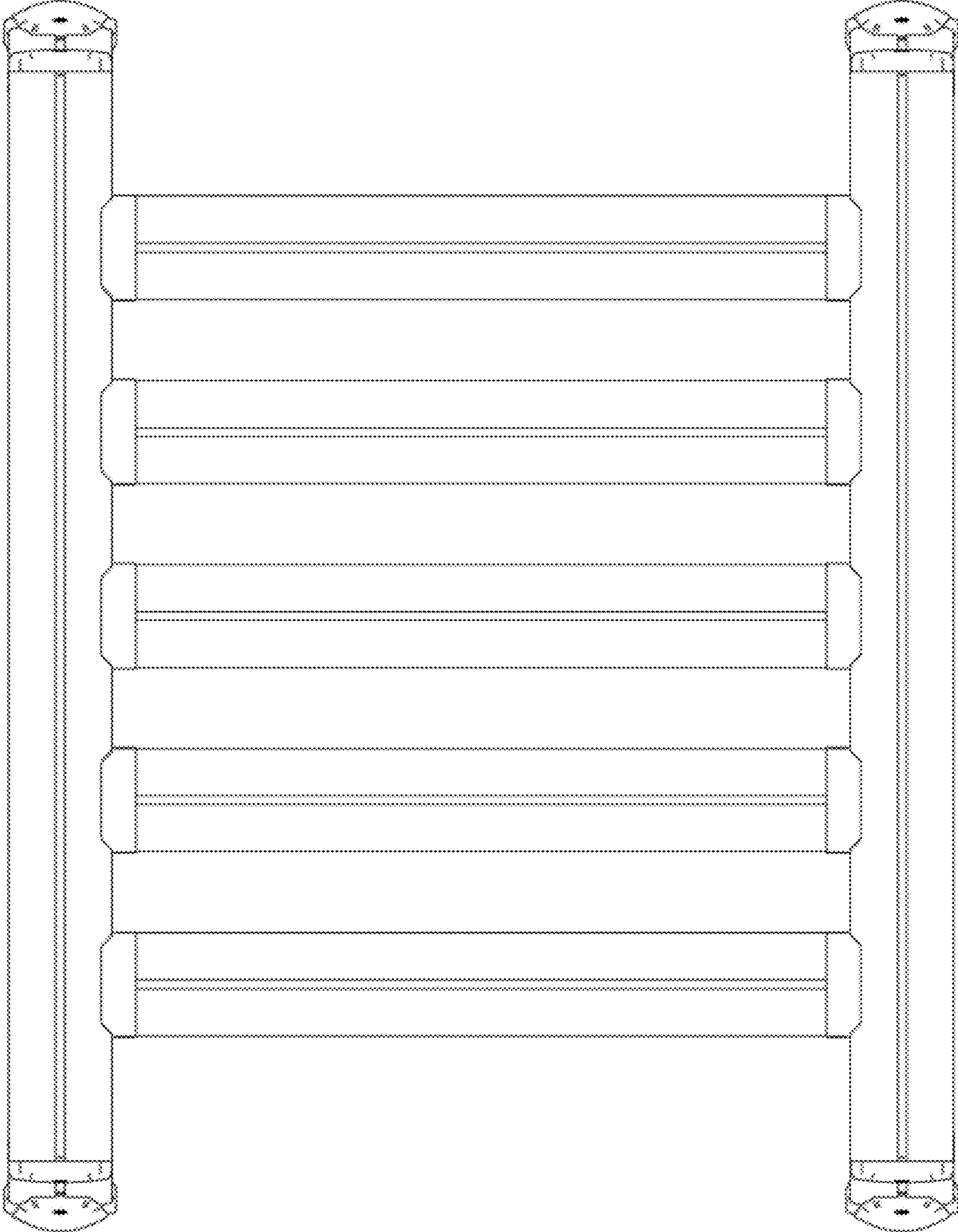


Fig. 4

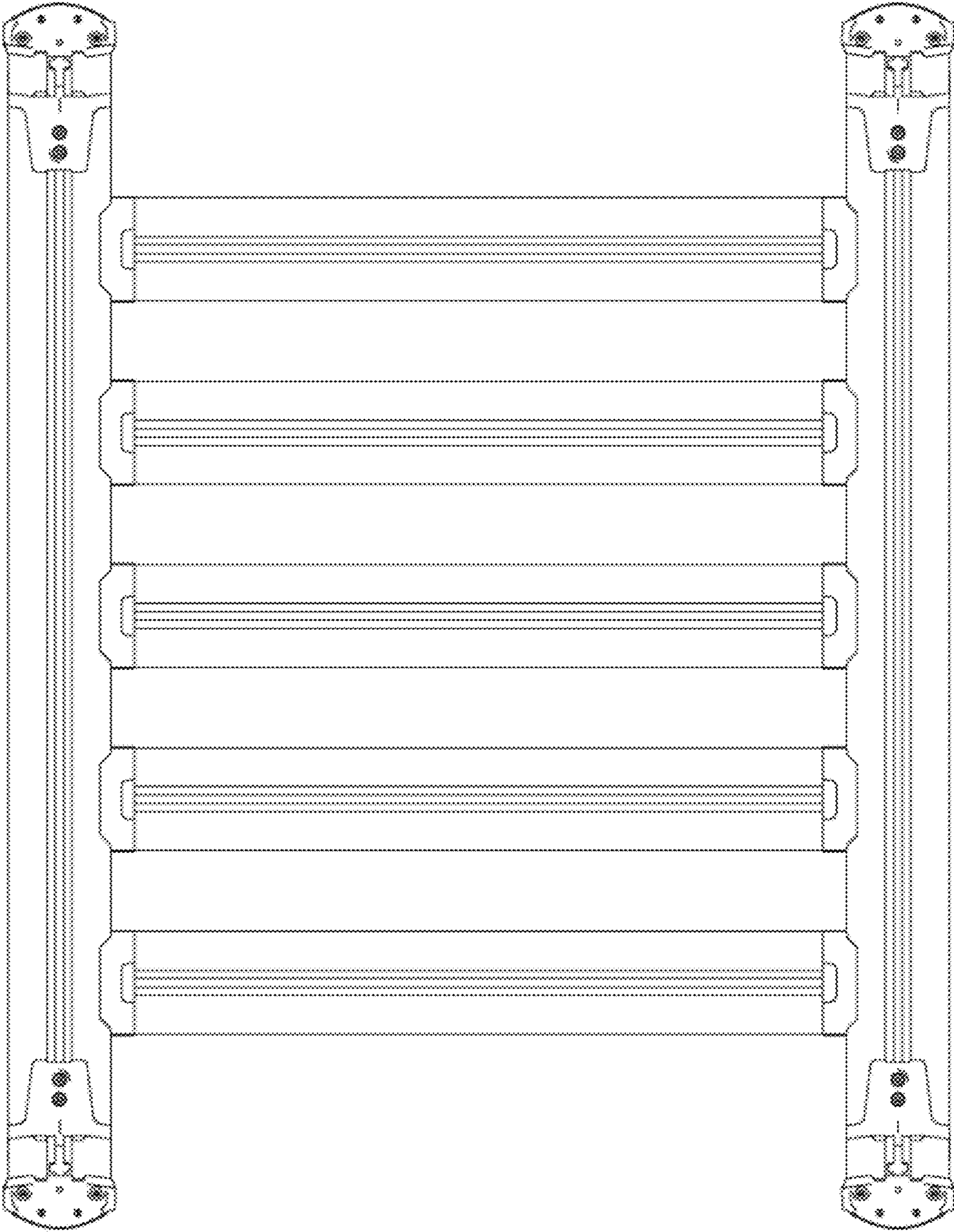


Fig. 5