

US00D947747S

(12) **United States Design Patent**
Yung

(10) **Patent No.:** **US D947,747 S**

(45) **Date of Patent:** **** Apr. 5, 2022**

(54) **AUTOMOBILE ROLL BAR**

(71) Applicant: **Big Chun Yung**, Woodside, NY (US)

(72) Inventor: **Big Chun Yung**, Woodside, NY (US)

(**) Term: **15 Years**

(21) Appl. No.: **29/677,920**

(22) Filed: **Jan. 24, 2019**

(51) **LOC (13) Cl.** **12-16**

(52) **U.S. Cl.**
USPC **D12/222**

(58) **Field of Classification Search**

USPC D12/222, 400, 401, 404, 406, 412, 414,
D12/223, 86, 93, 101; D6/552; D26/31

CPC . B60J 1/06; B60R 27/00; B60R 21/02; B60Q
1/0483; B62D 33/02

See application file for complete search history.

(56) **References Cited**

U.S. PATENT DOCUMENTS

D717,230 S	*	11/2014	Fichter	D12/414
D810,148 S	*	2/2018	Loew	D15/28
D811,986 S	*	3/2018	Torres	D12/412
D841,558 S	*	2/2019	Mosingo	D12/222
D845,869 S	*	4/2019	Wymore	D12/222
D861,575 S	*	10/2019	Tang	D12/406

(Continued)

Primary Examiner — Katrina A Betton

(57) **CLAIM**

The ornamental design for an automobile roll bar, as shown and described.

DESCRIPTION

FIG. 1 is a top view of a first embodiment of an automobile roll bar;

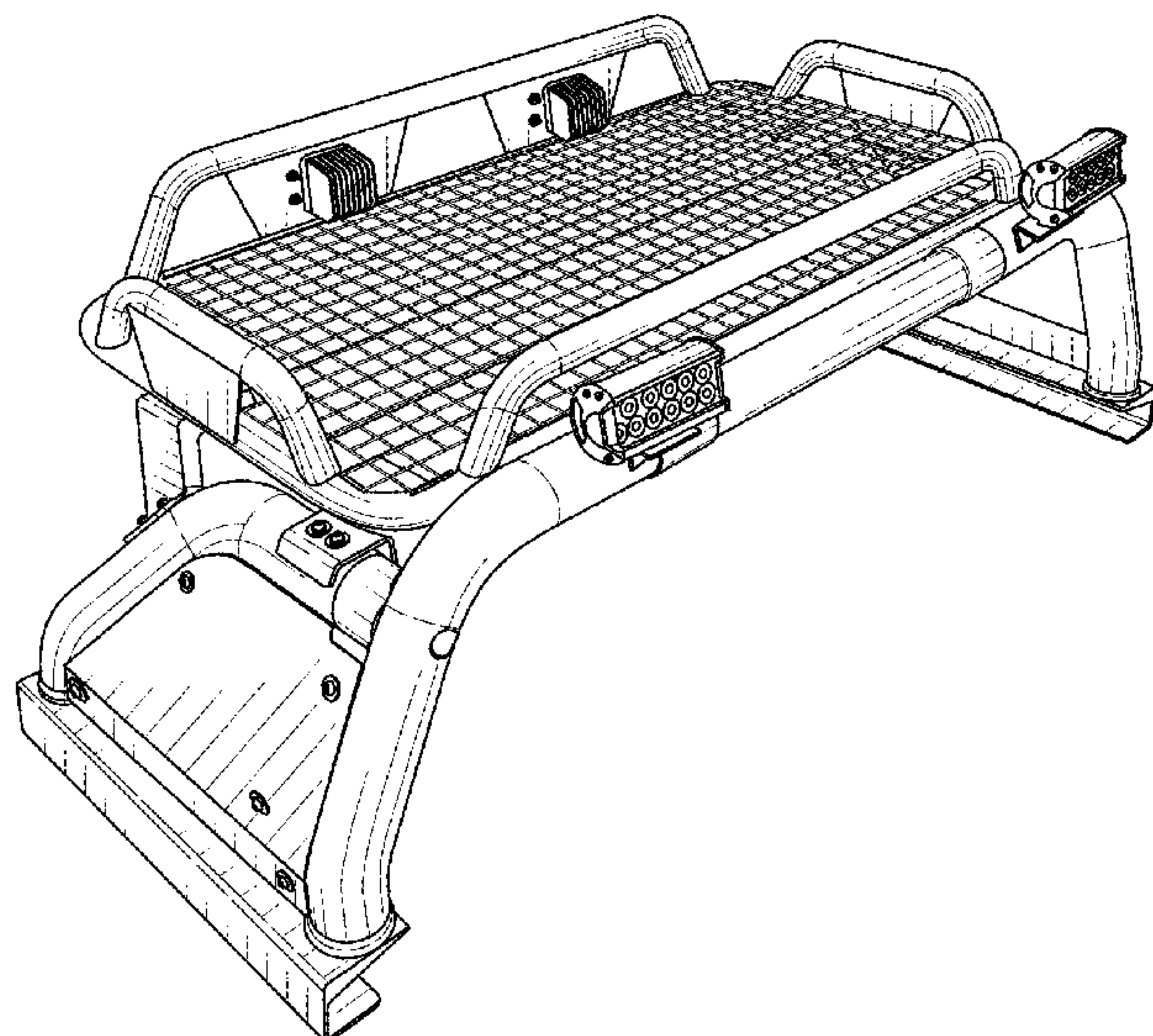
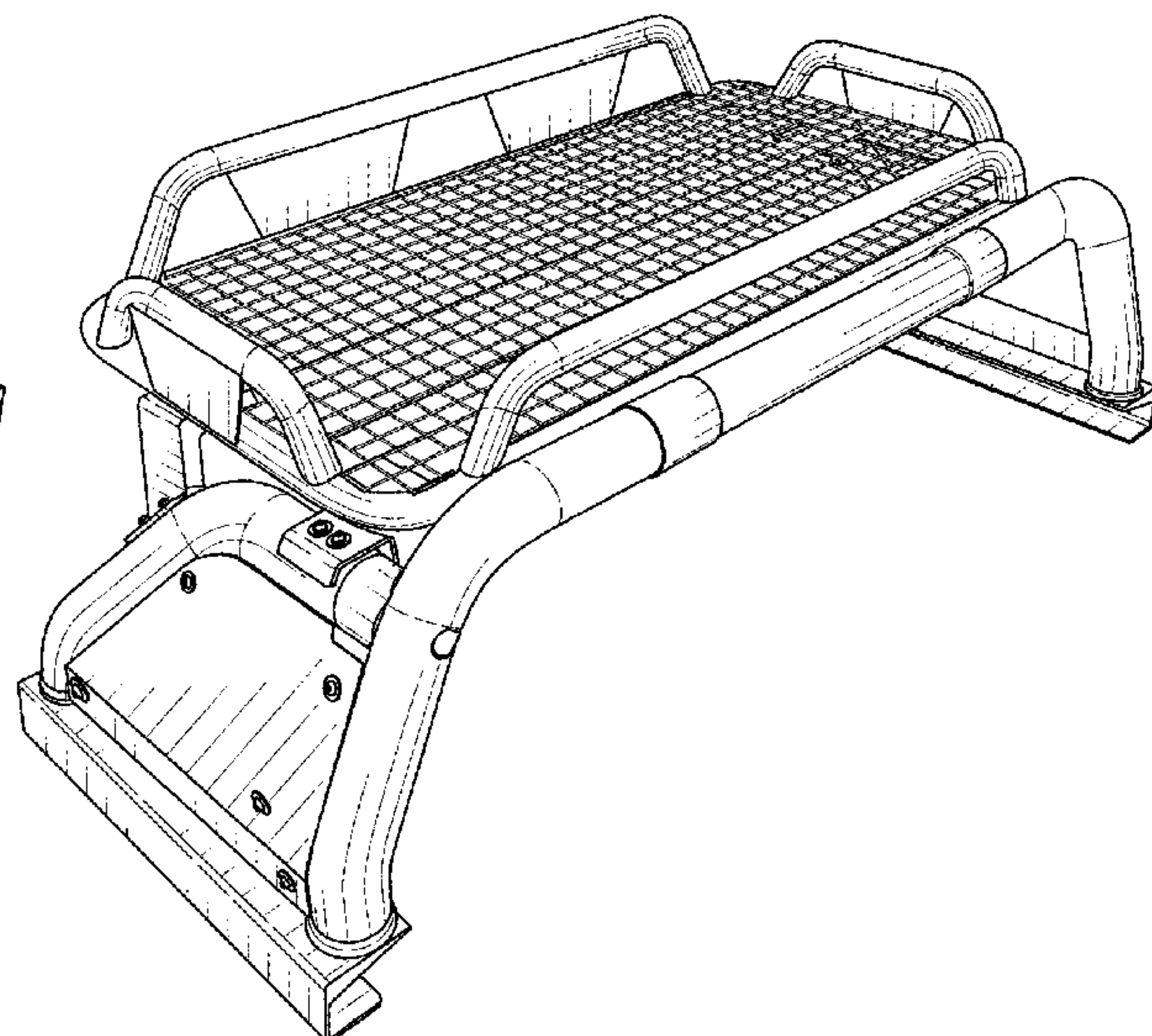


FIG. 2 is a front back perspective view thereof;
 FIG. 3 is a front view thereof;
 FIG. 4 is a back bottom perspective view thereof;
 FIG. 5 is a bottom view thereof;
 FIG. 6 is a front bottom perspective view thereof;
 FIG. 7 is a back view thereof;
 FIG. 8 is a front top perspective view thereof;
 FIG. 9 is a left view thereof;
 FIG. 10 is a right view thereof;
 FIG. 11 is a top back right perspective view thereof, with the top back left perspective view being a mirror image;
 FIG. 12 is a top front right perspective view thereof, with the top front left perspective view being a mirror image;
 FIG. 13 is a bottom back right perspective view thereof, with the bottom back left perspective view being a mirror image;
 FIG. 14 is a bottom front right perspective view thereof, with the bottom front left perspective view being a mirror image.
 FIG. 15 is a top view of a second embodiment of the automobile roll bar;
 FIG. 16 is a front back perspective view thereof;
 FIG. 17 is a front view thereof;
 FIG. 18 is a back bottom perspective view thereof;
 FIG. 19 is a bottom view thereof;
 FIG. 20 is a front bottom perspective view thereof;
 FIG. 21 is a back view thereof;
 FIG. 22 is a front top perspective view thereof;
 FIG. 23 is a left view thereof;
 FIG. 24 is a right view thereof;
 FIG. 25 is a top back right perspective view thereof, with the top back left perspective view being a mirror image;
 FIG. 26 is a top front right perspective view thereof, with the top front left perspective view being a mirror image;
 FIG. 27 is a bottom back right perspective view thereof, with the bottom back left perspective view being a mirror image;
 and,
 FIG. 28 is a bottom front right perspective view thereof, with the bottom front left perspective view being a mirror image.
 In the drawings, the broken lines form no part of the claimed design.

1 Claim, 14 Drawing Sheets



(56)

References Cited

U.S. PATENT DOCUMENTS

D881,785	S *	4/2020	Ajam	D12/222
D881,786	S *	4/2020	Ajam	D12/222
D883,176	S *	5/2020	Ajam	D12/222
D920,883	S *	6/2021	Yung	D12/222
D933,576	S *	10/2021	Ajam	D12/222
2007/0176447	A1 *	8/2007	Storer	B60R 13/005 296/3
2018/0072244	A1 *	3/2018	Wymore	B60R 21/13

* cited by examiner

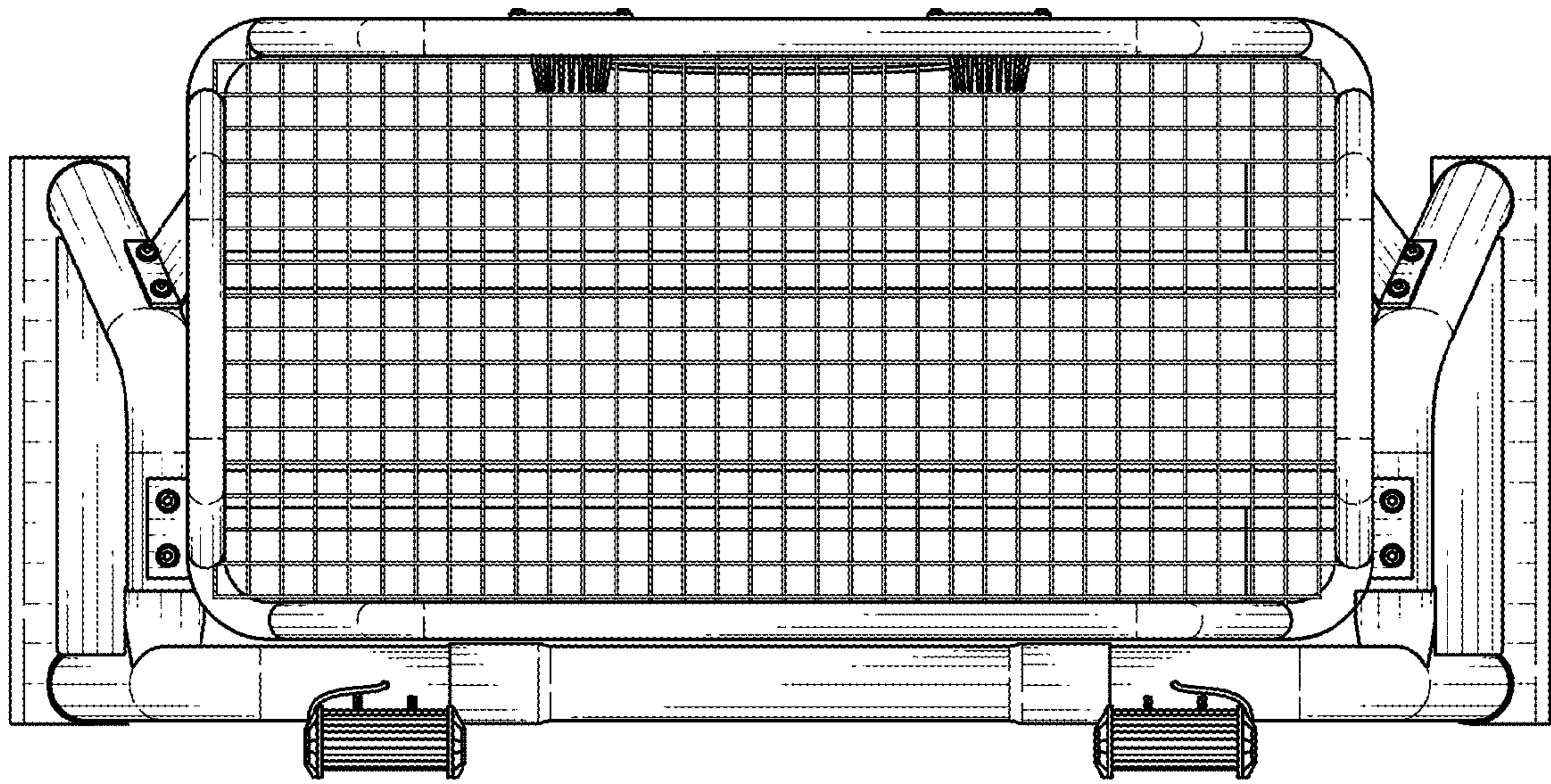


FIG. 1

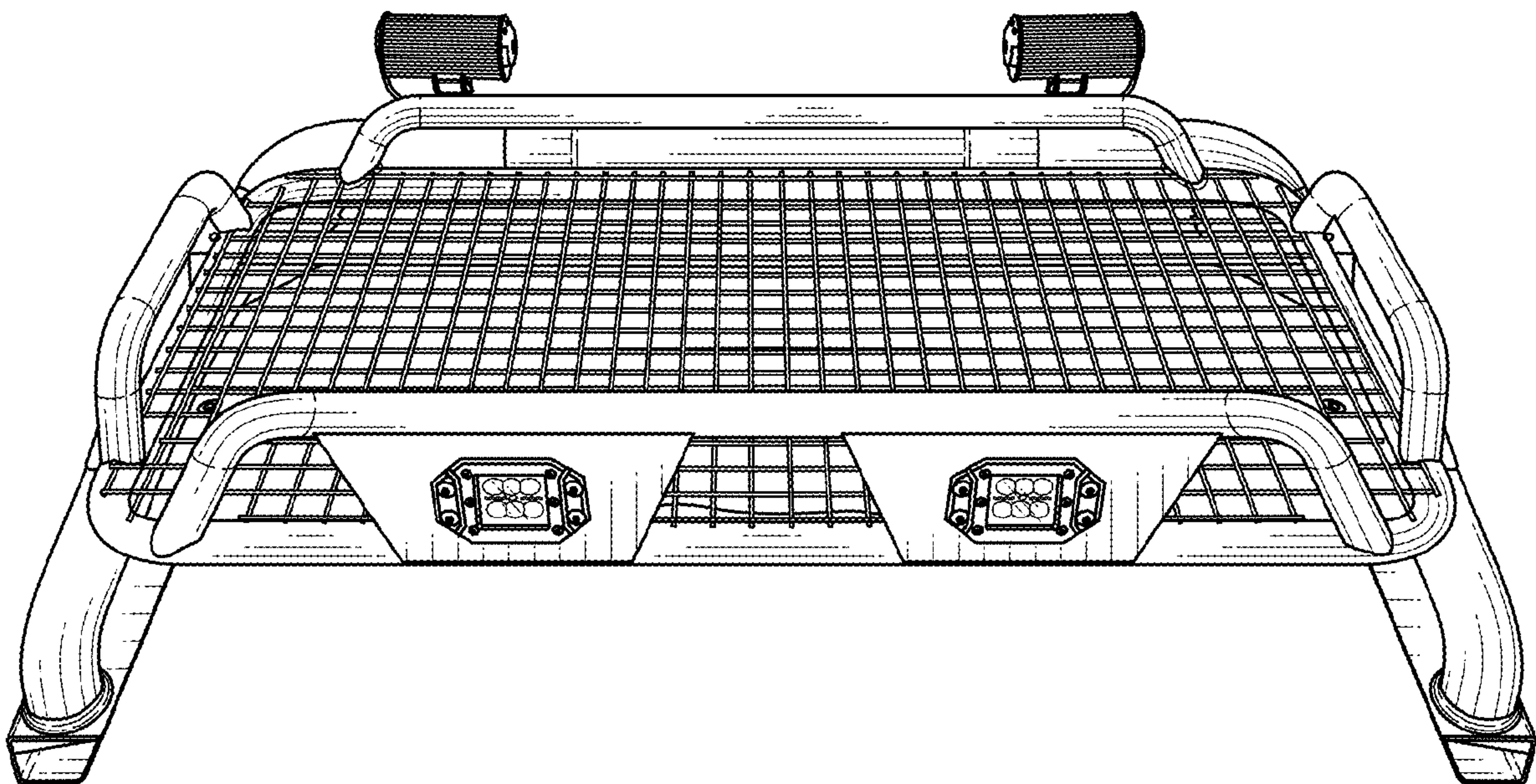


FIG. 2

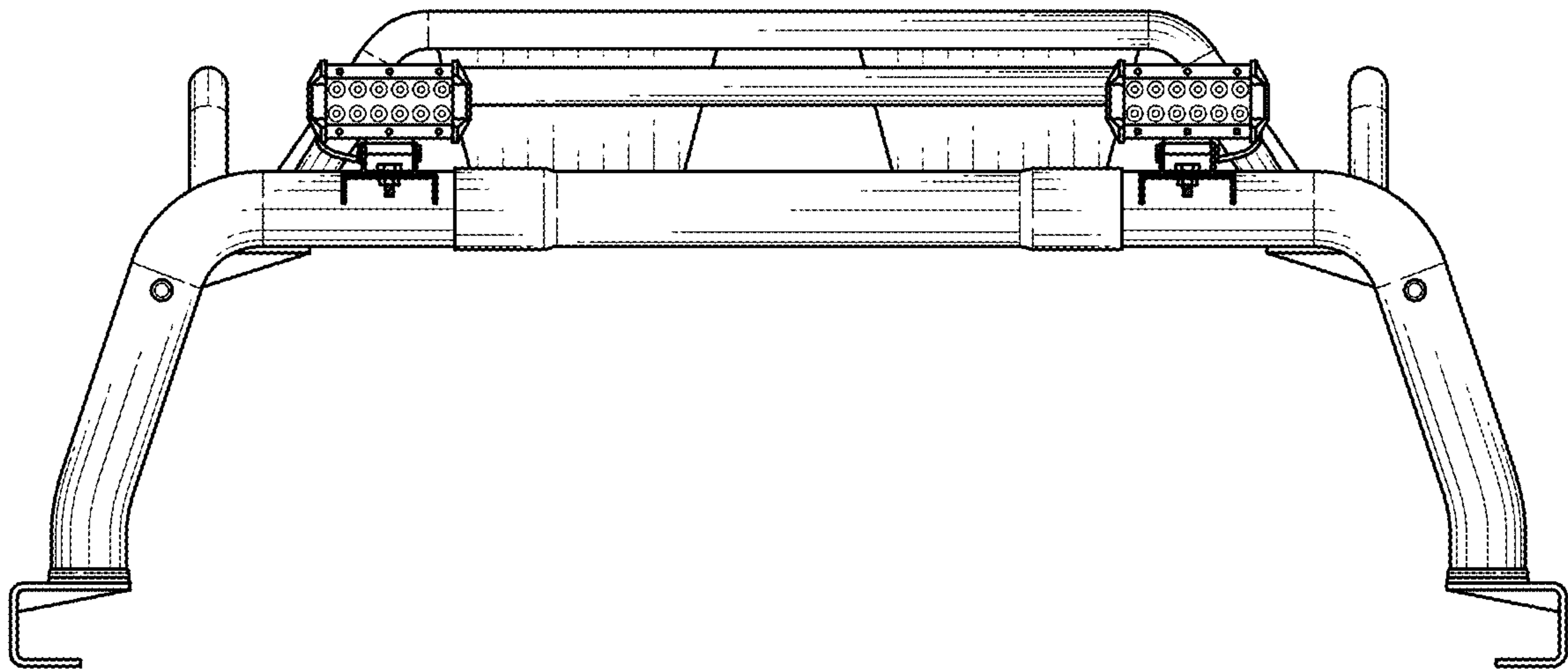


FIG. 3

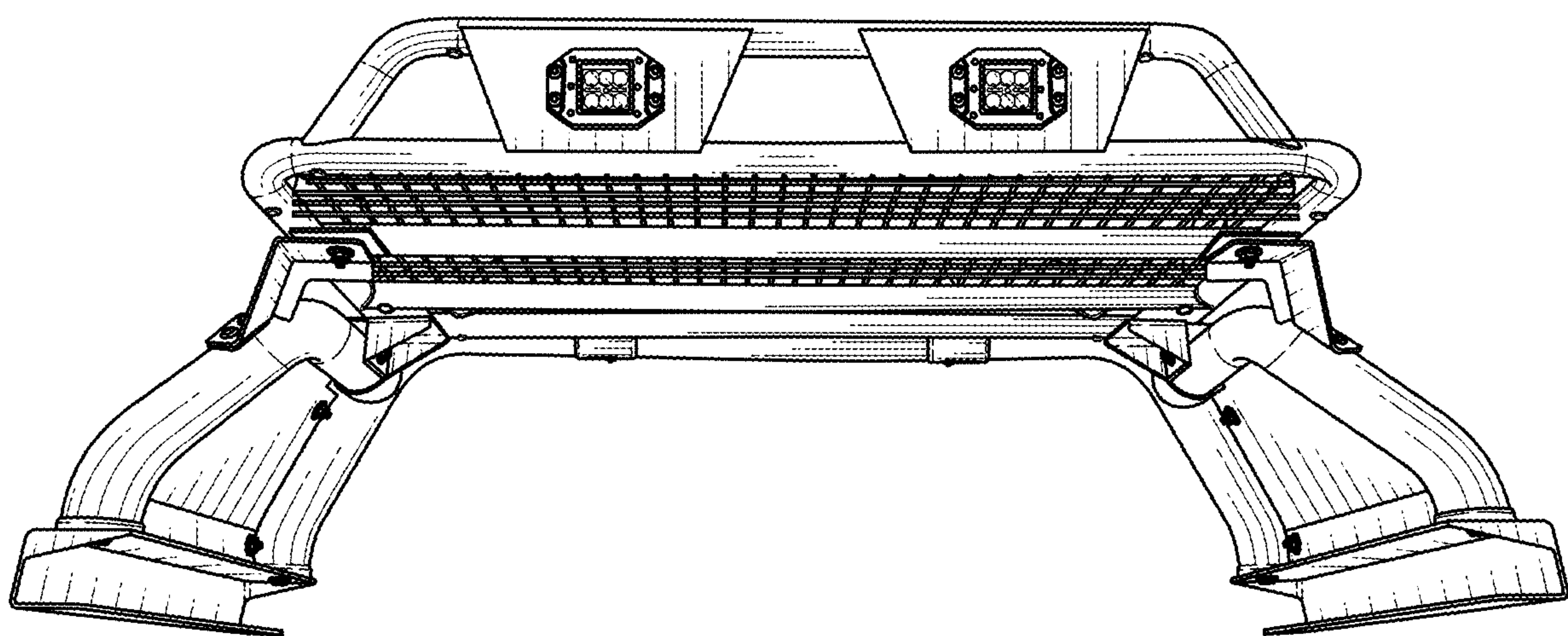


FIG. 4

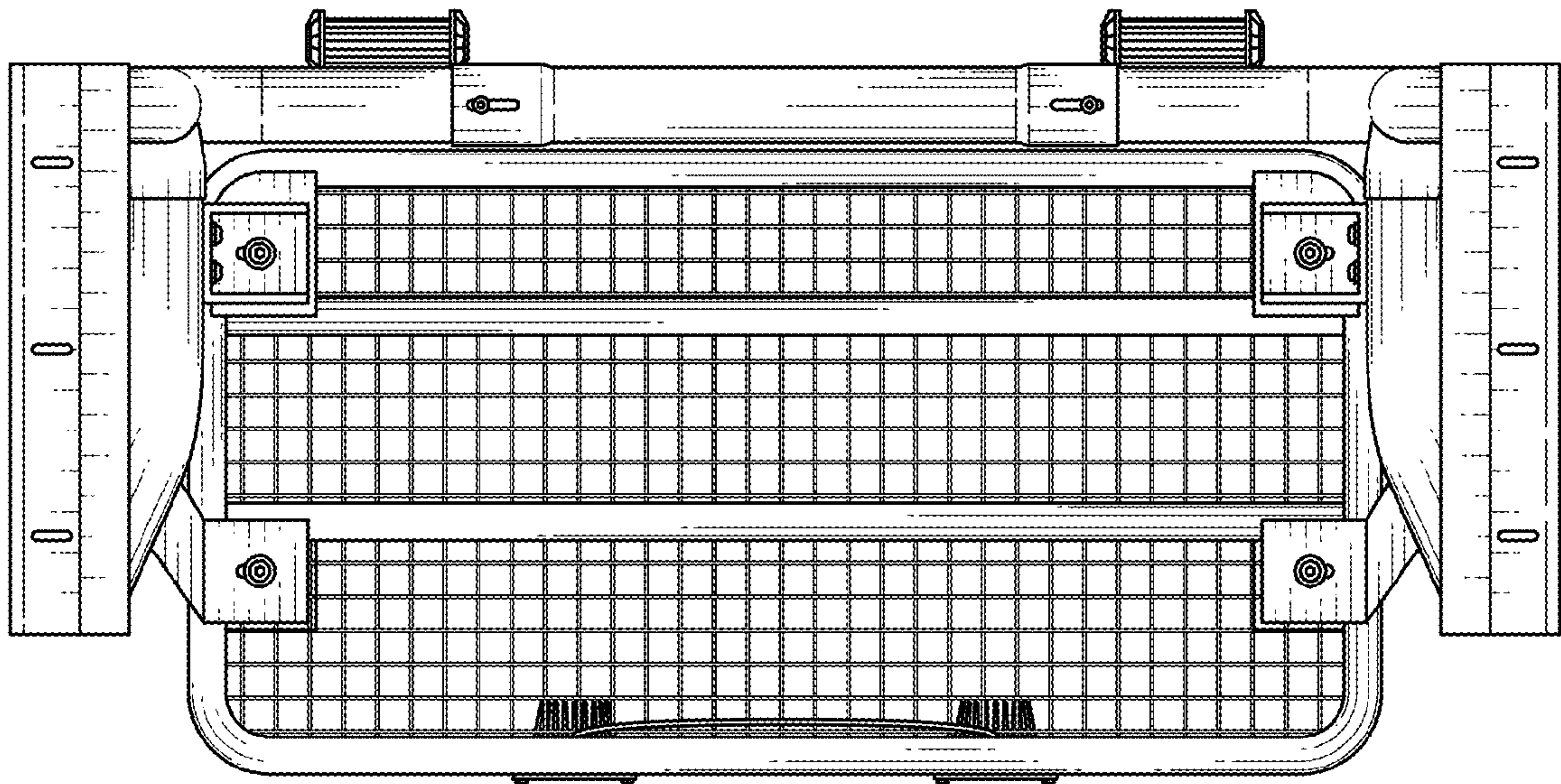


FIG. 5

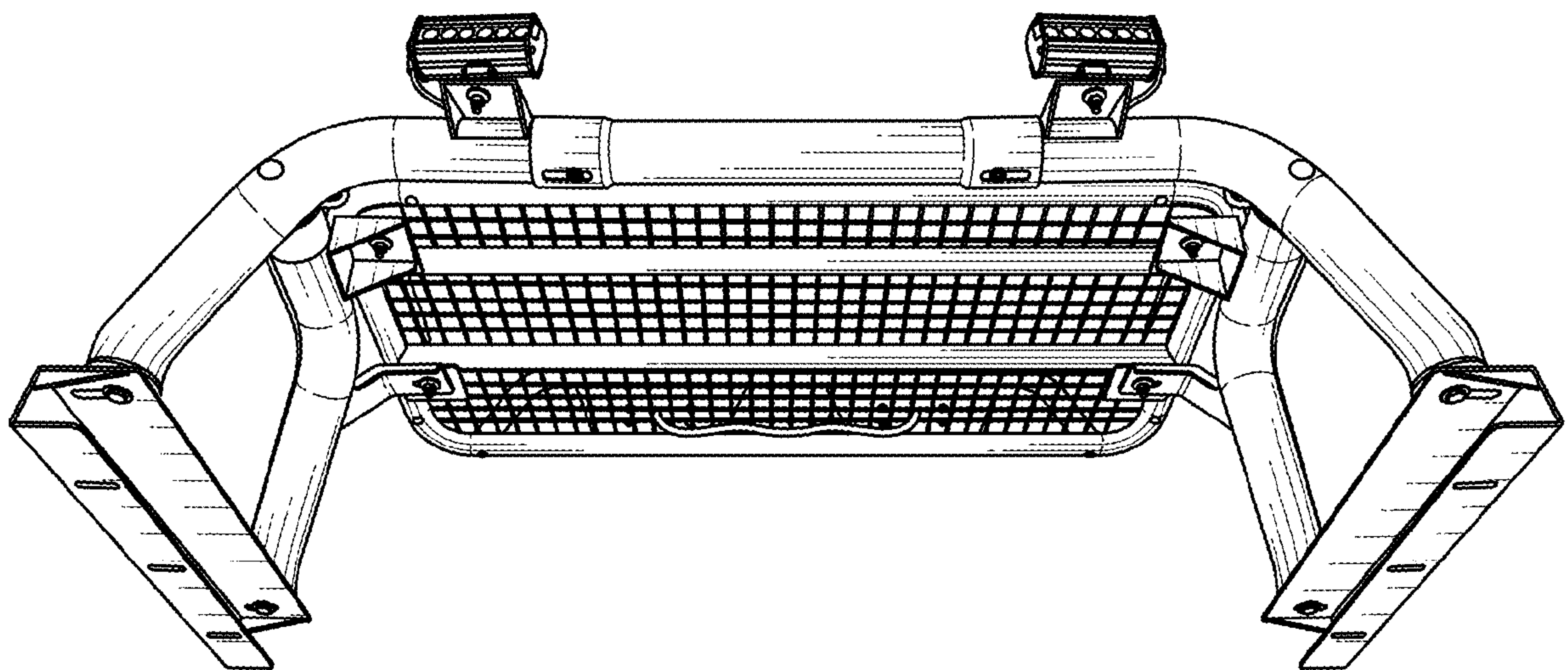


FIG. 6

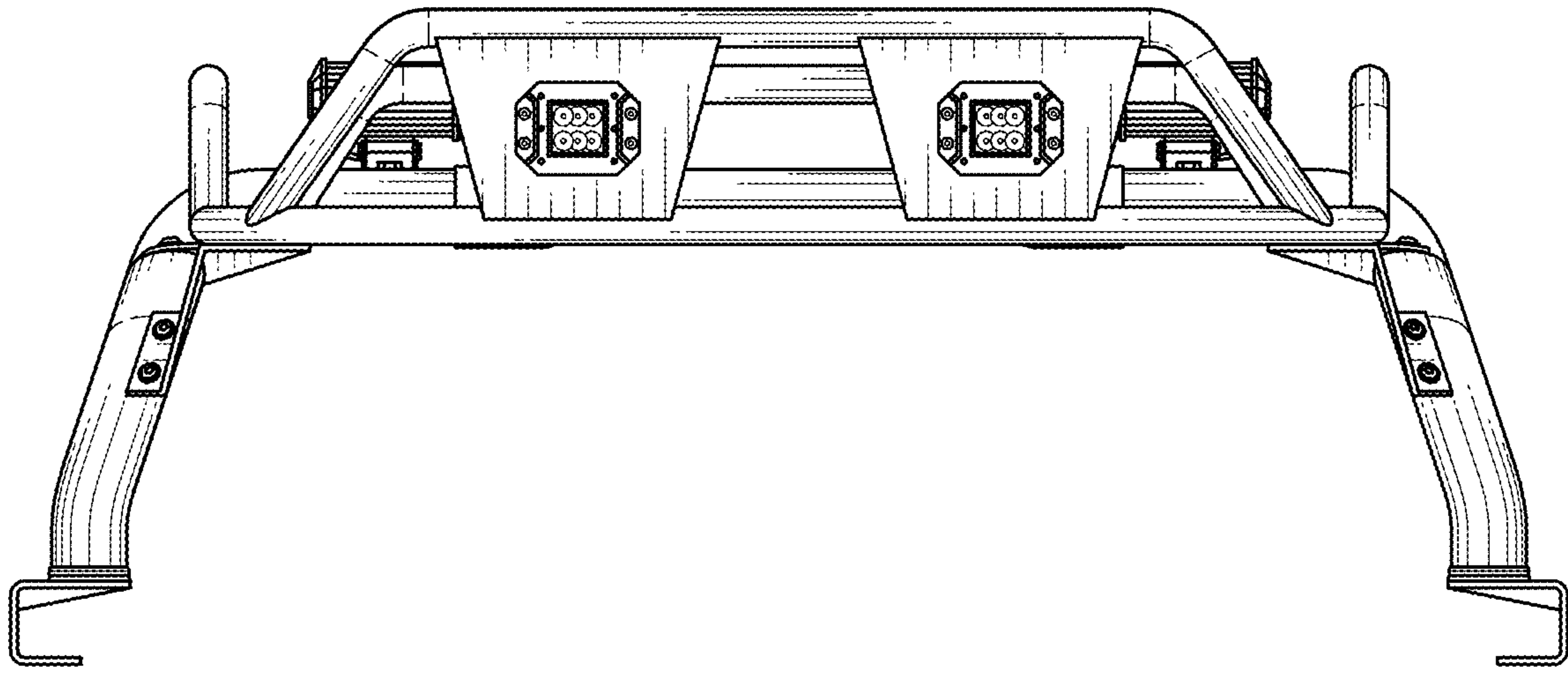


FIG. 7

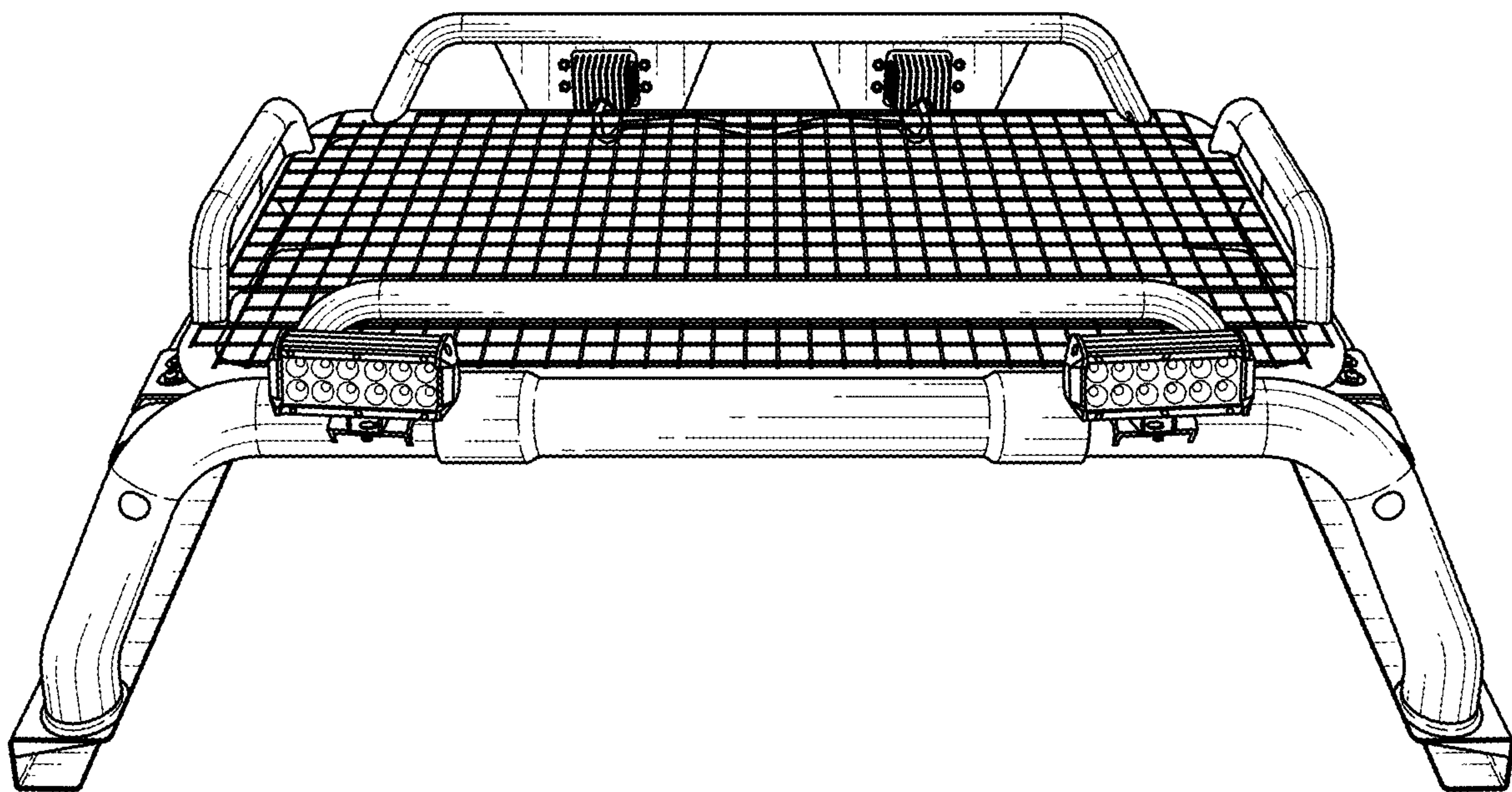


FIG. 8

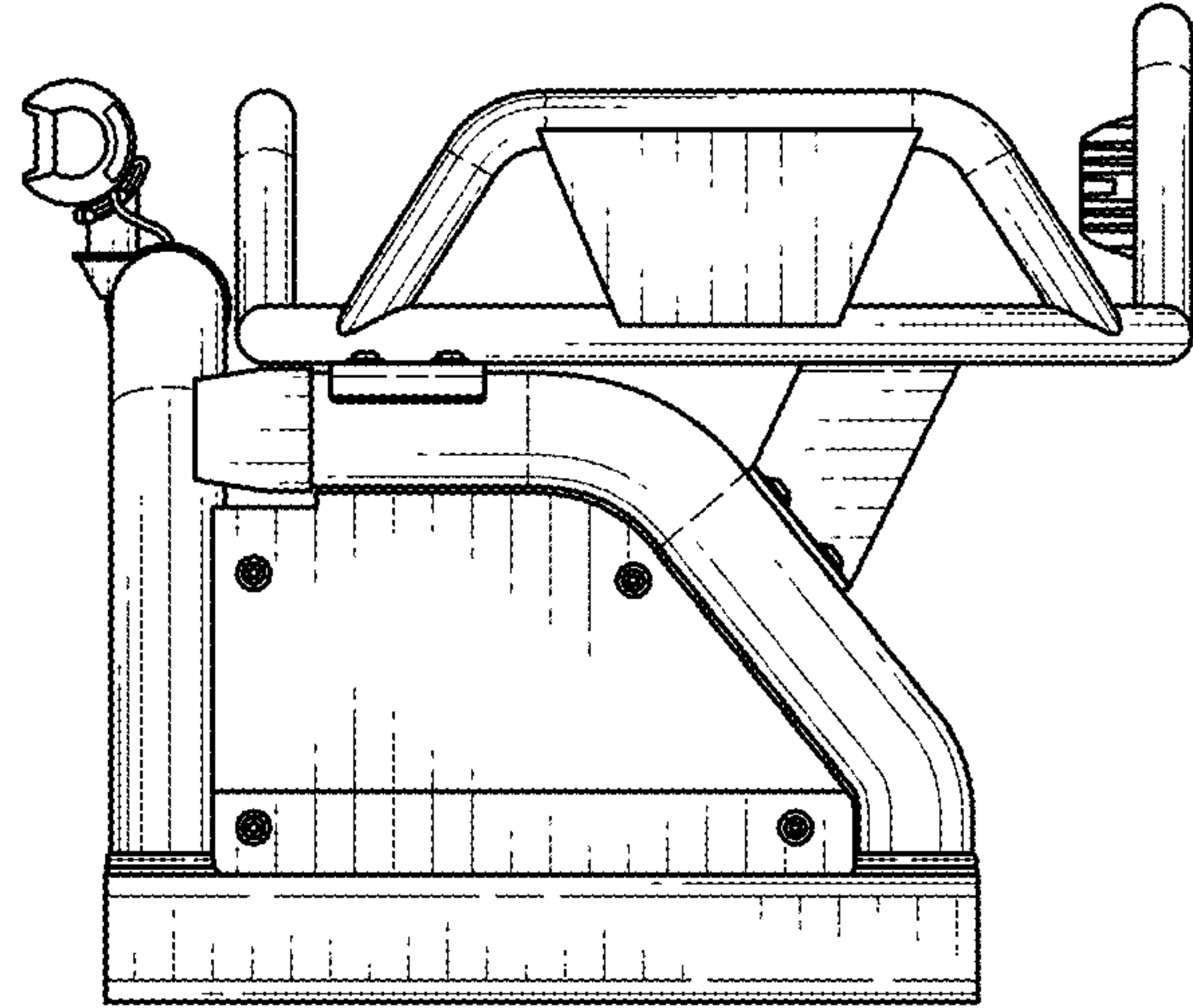


FIG. 9

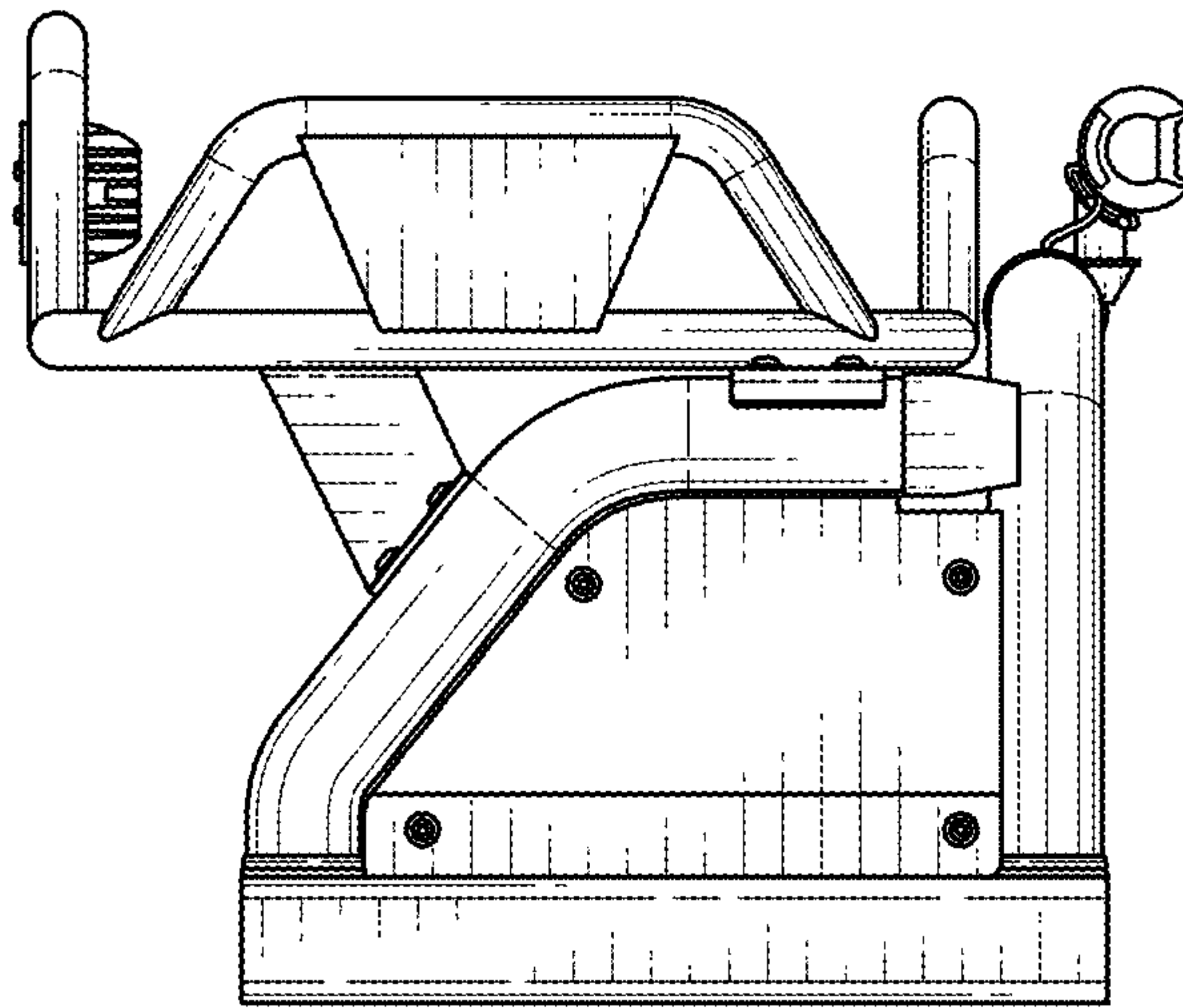


FIG. 10

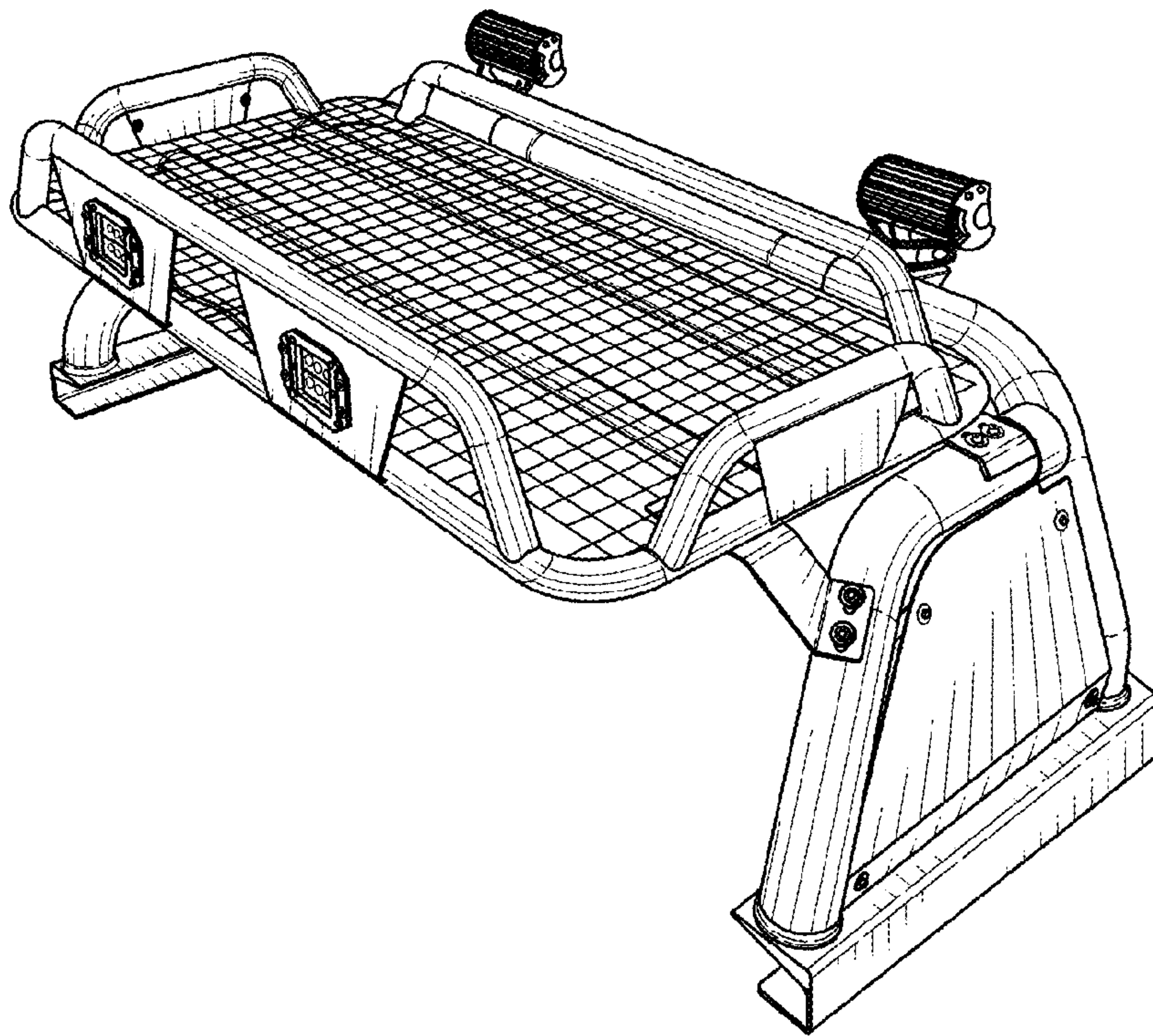


FIG. 11

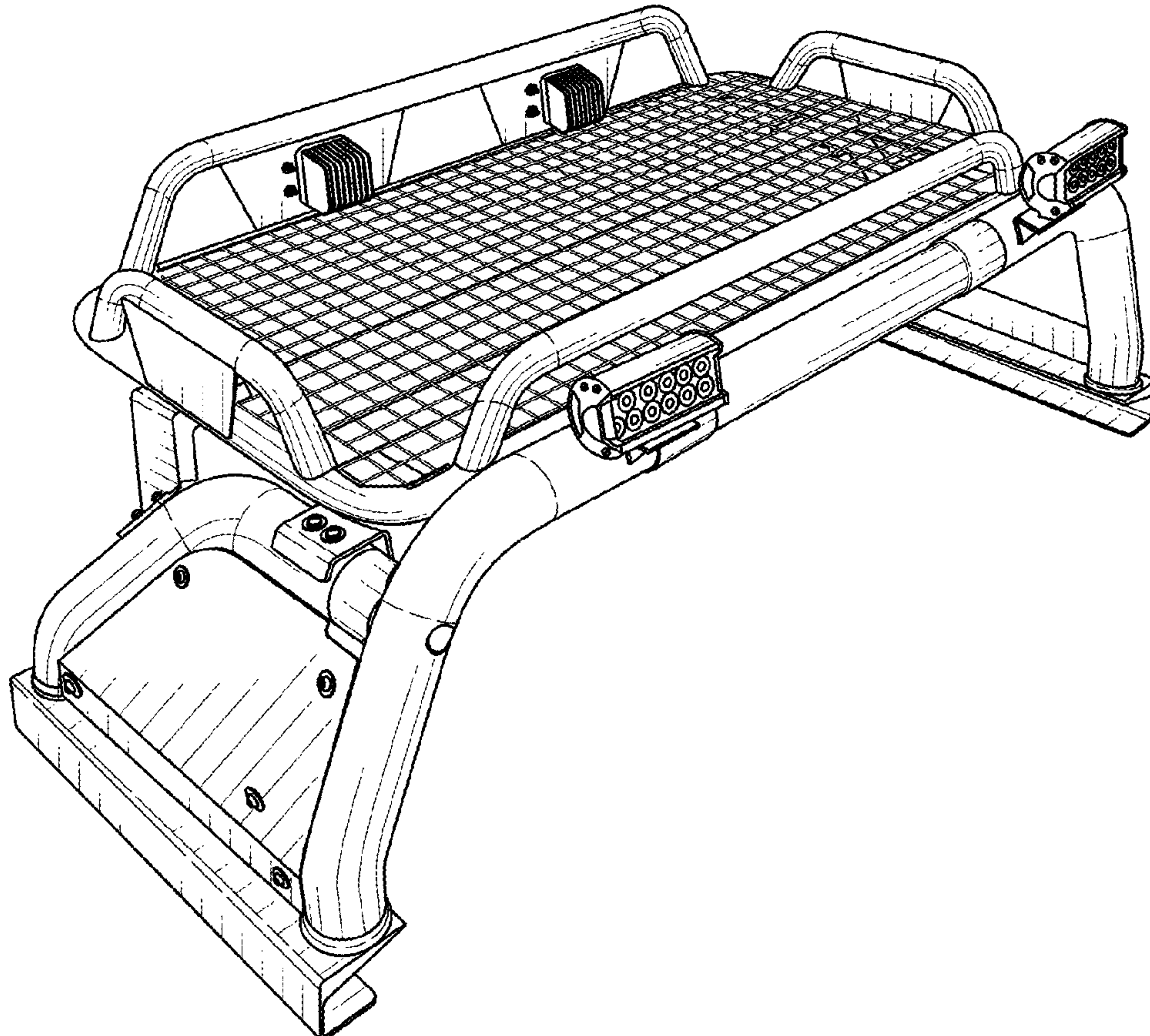


FIG. 12

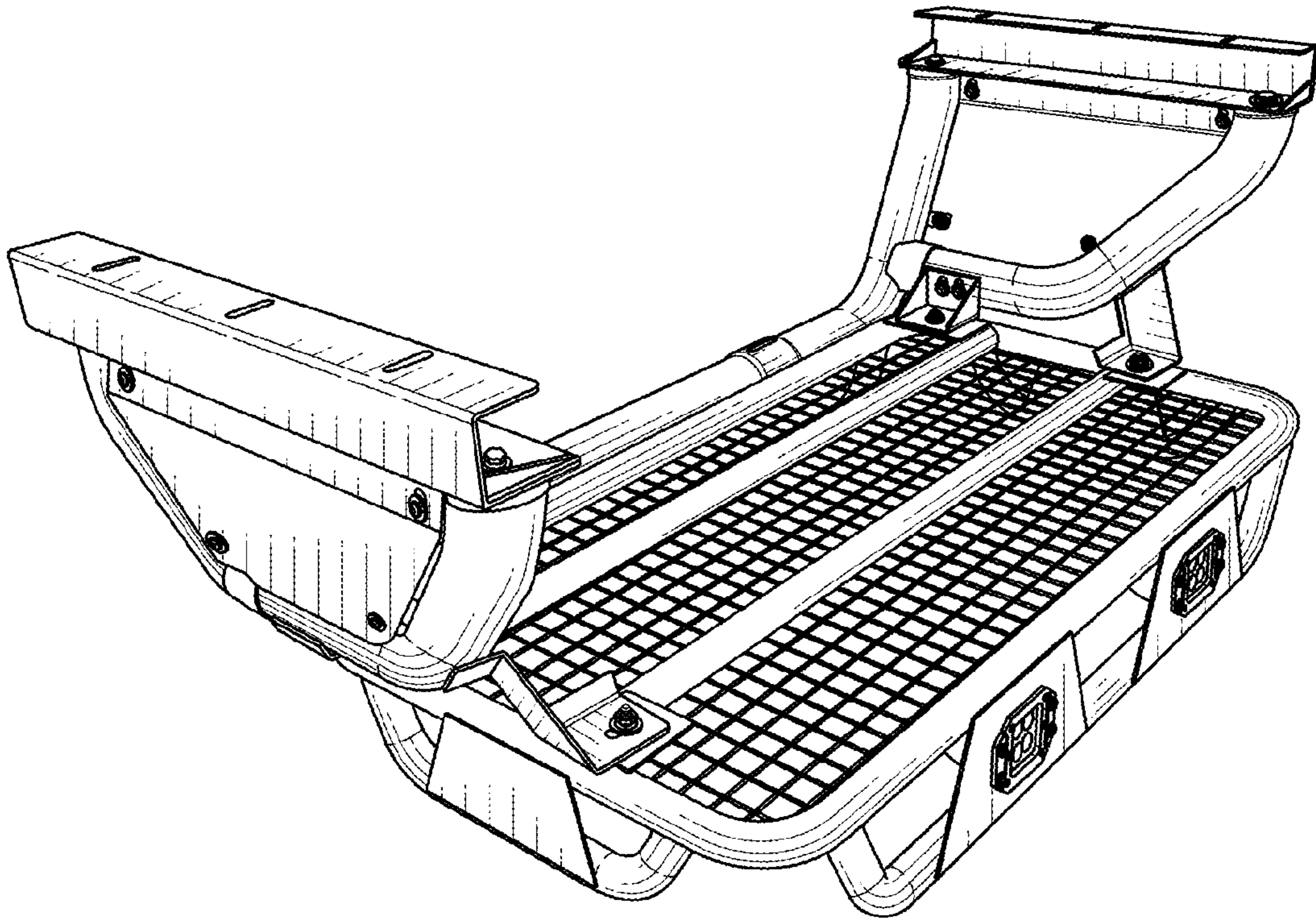


FIG. 13

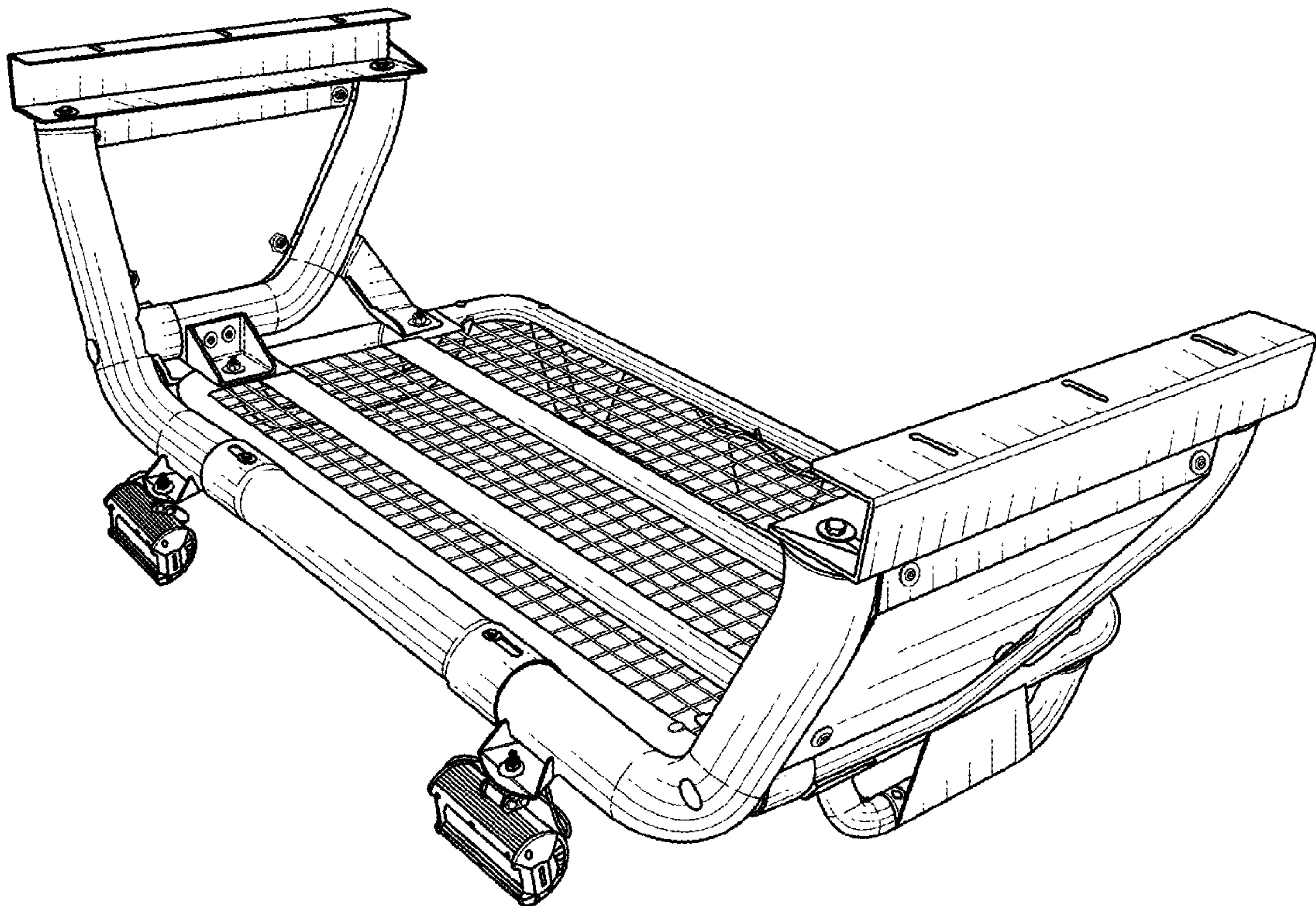


FIG. 14

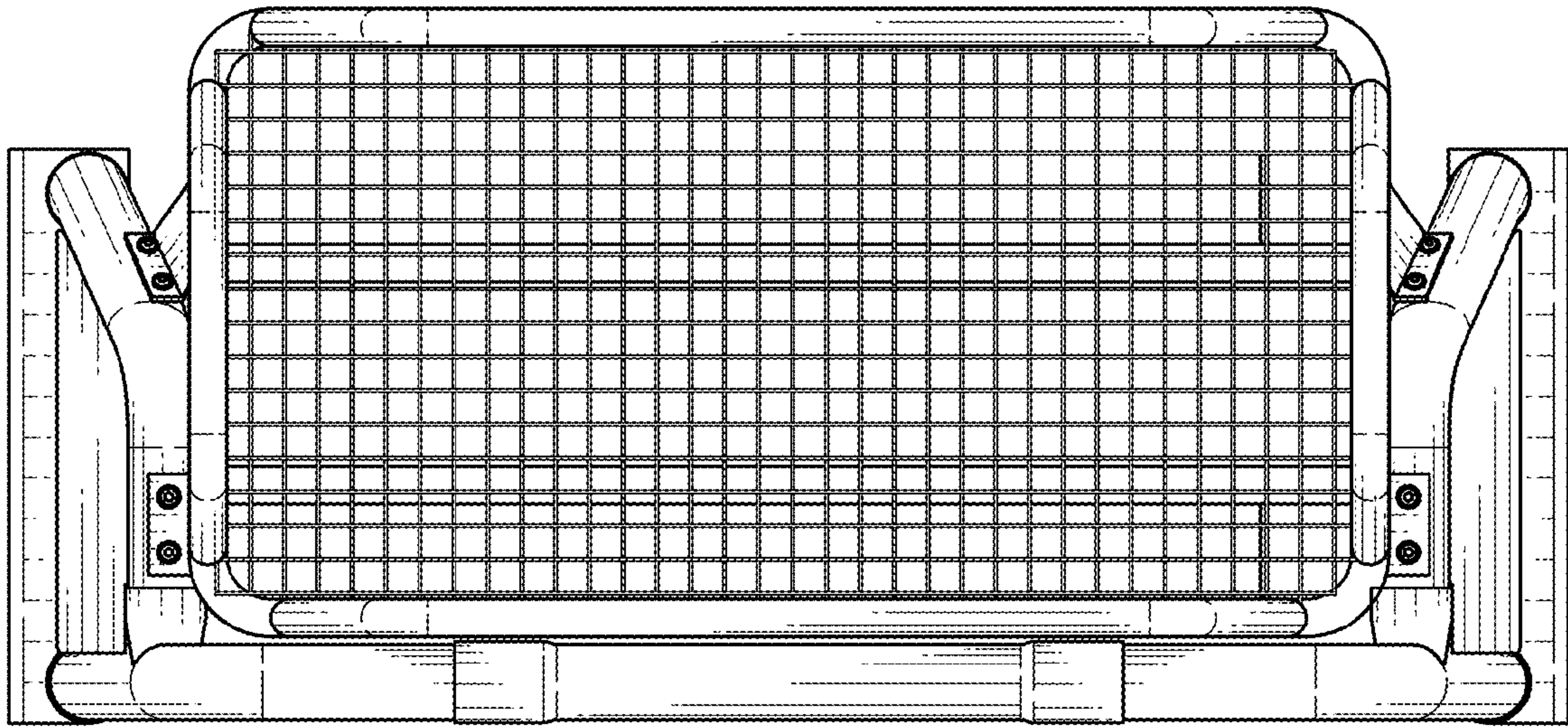


FIG. 15

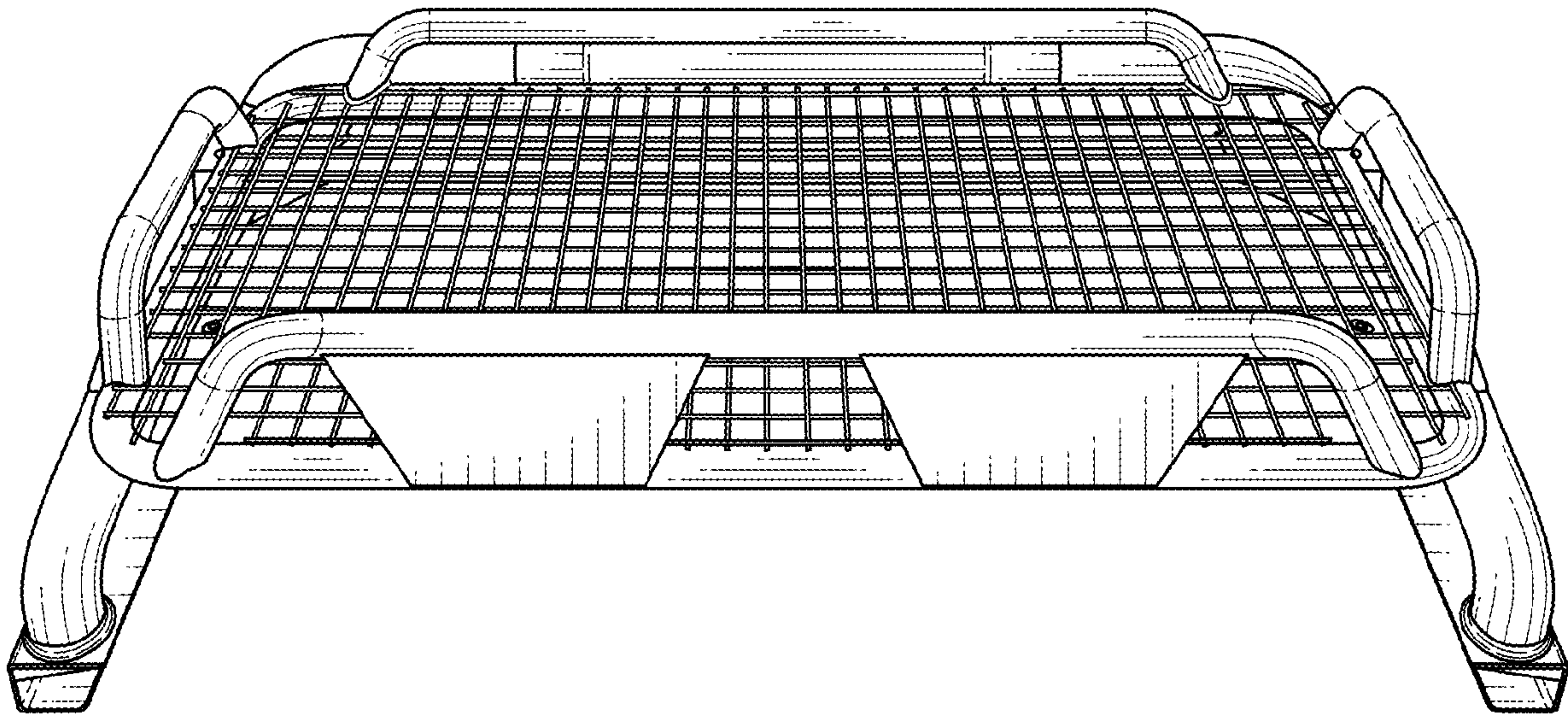


FIG. 16

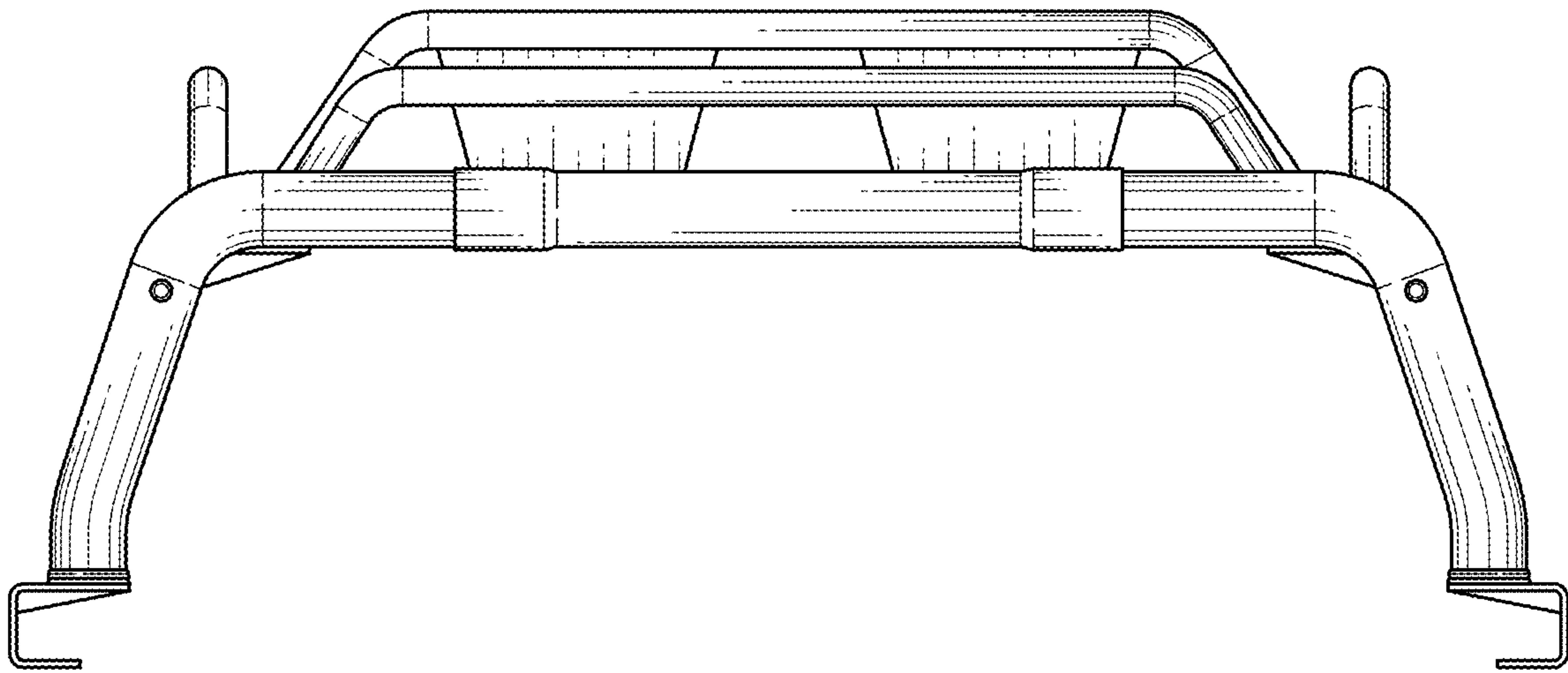


FIG. 17

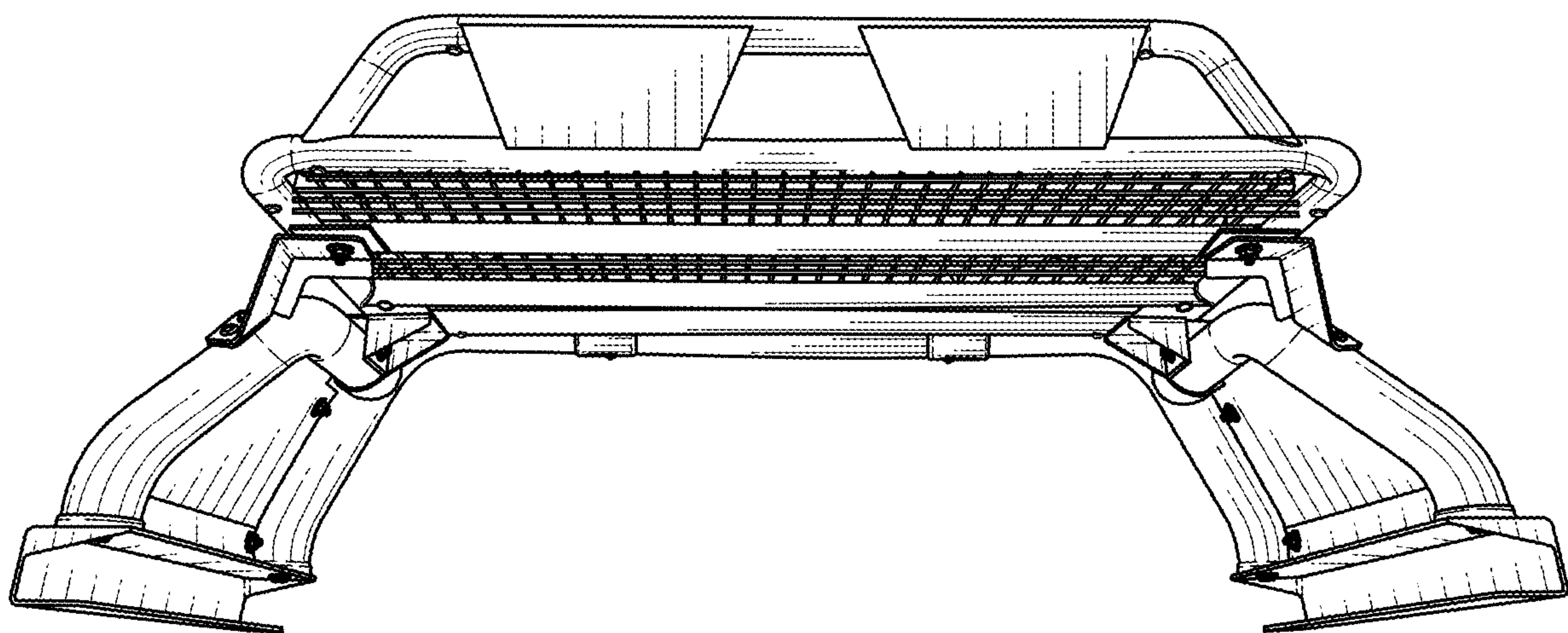


FIG. 18

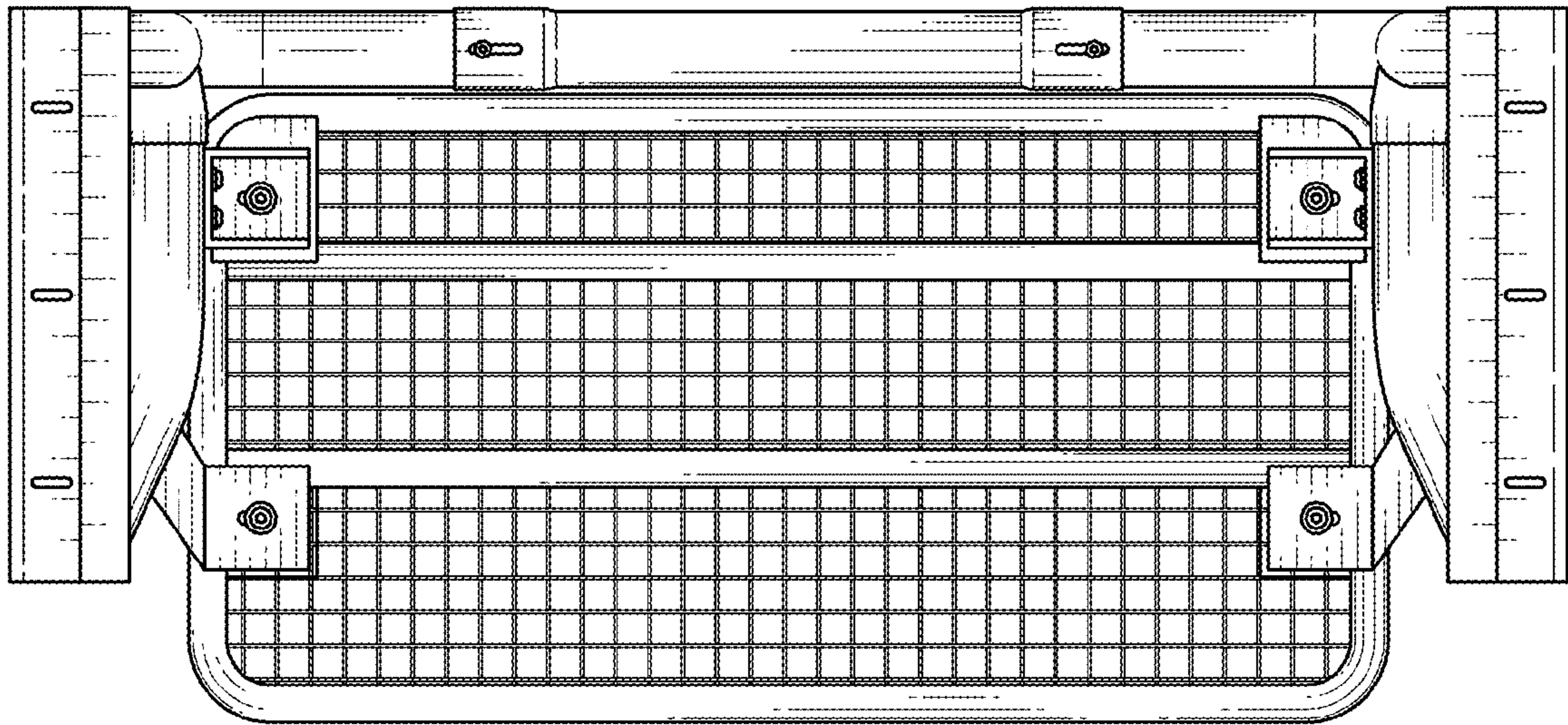


FIG. 19

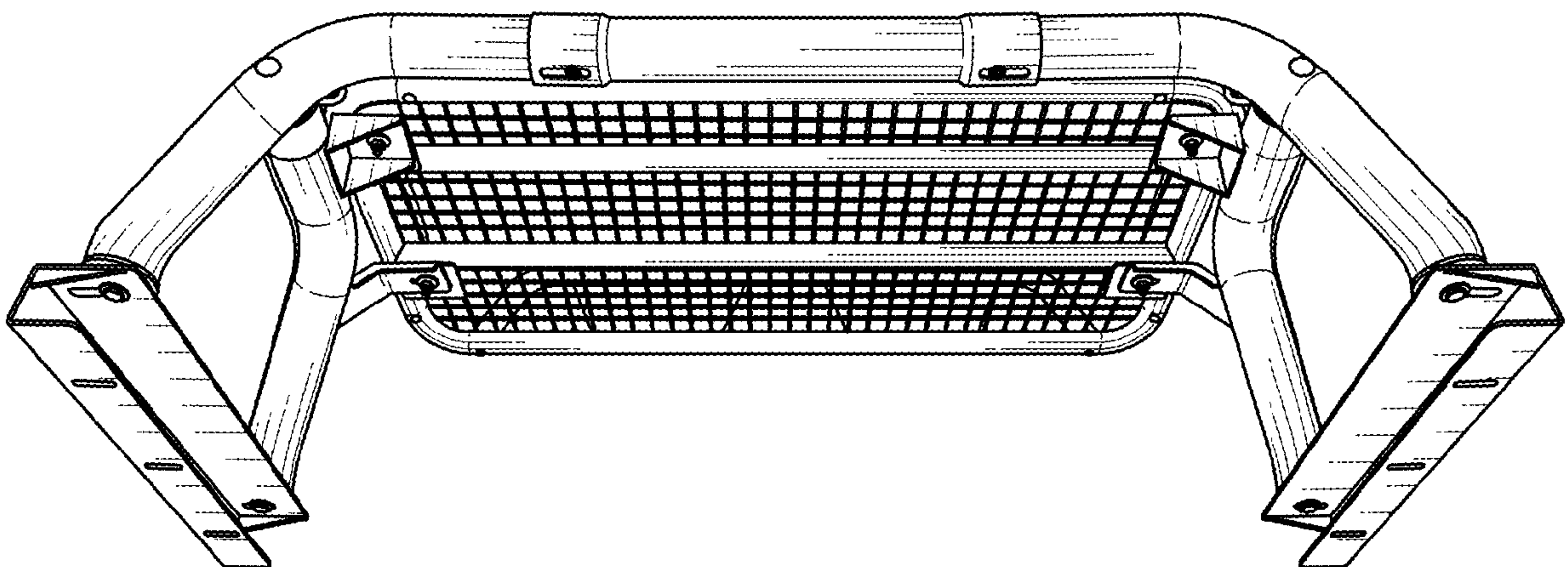


FIG. 20

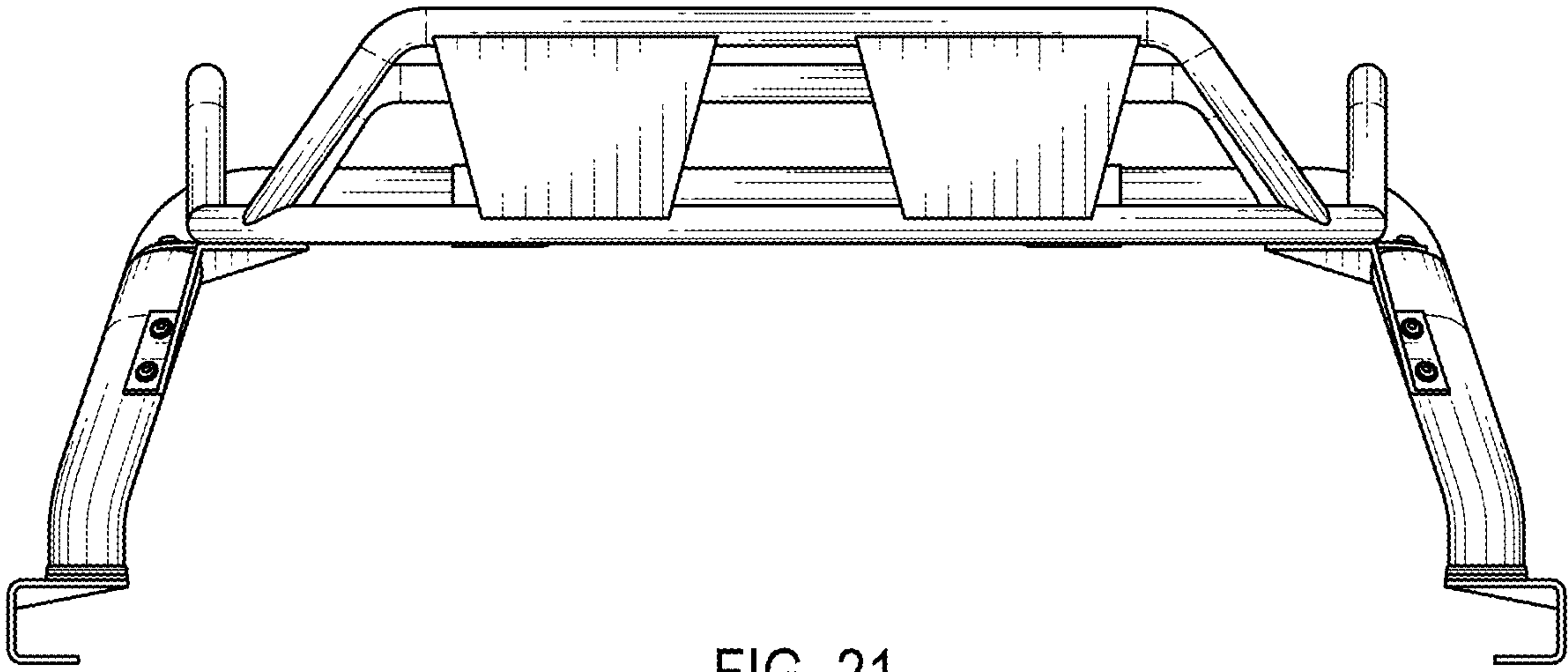


FIG. 21

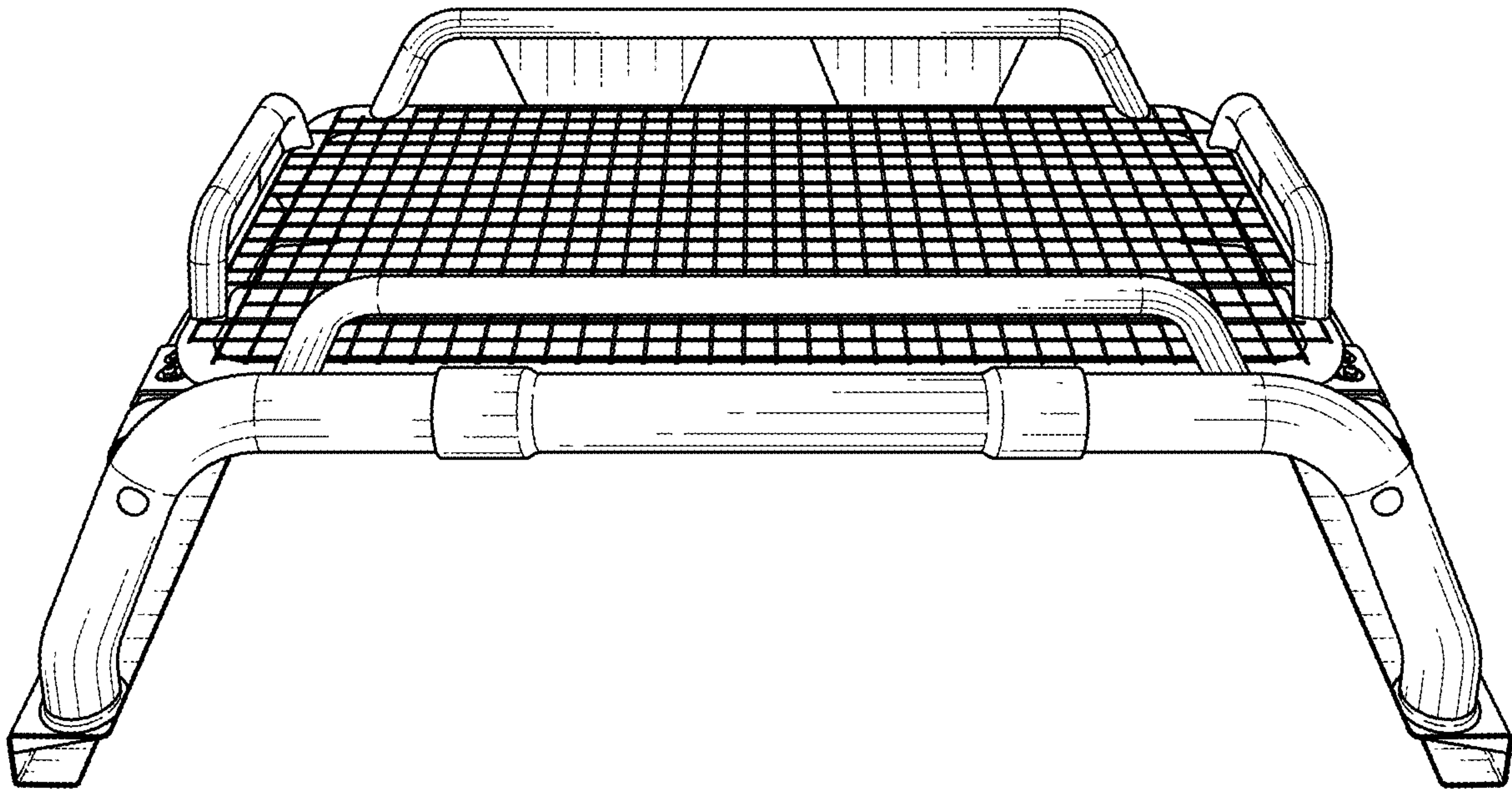


FIG. 22

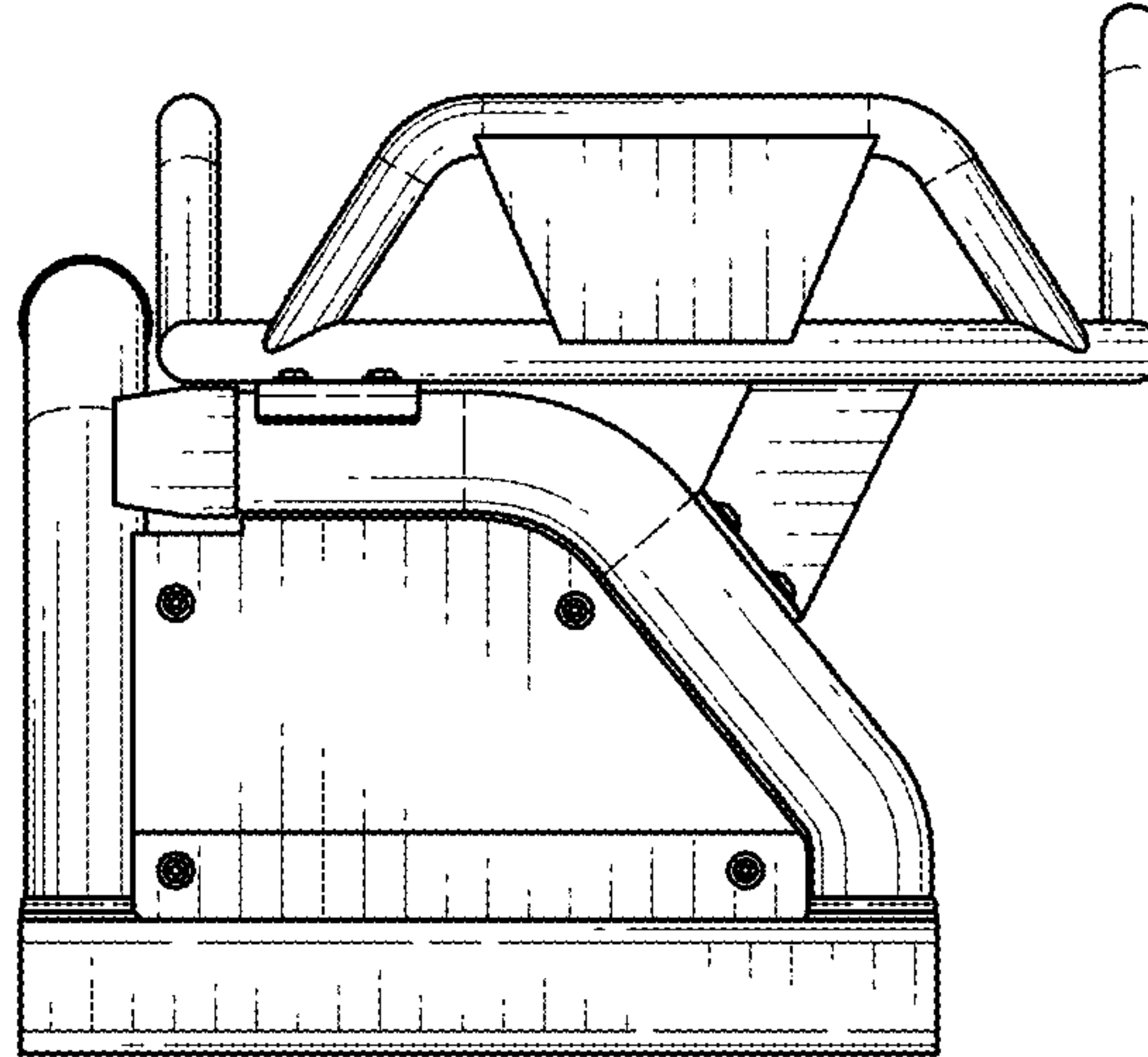


FIG. 23

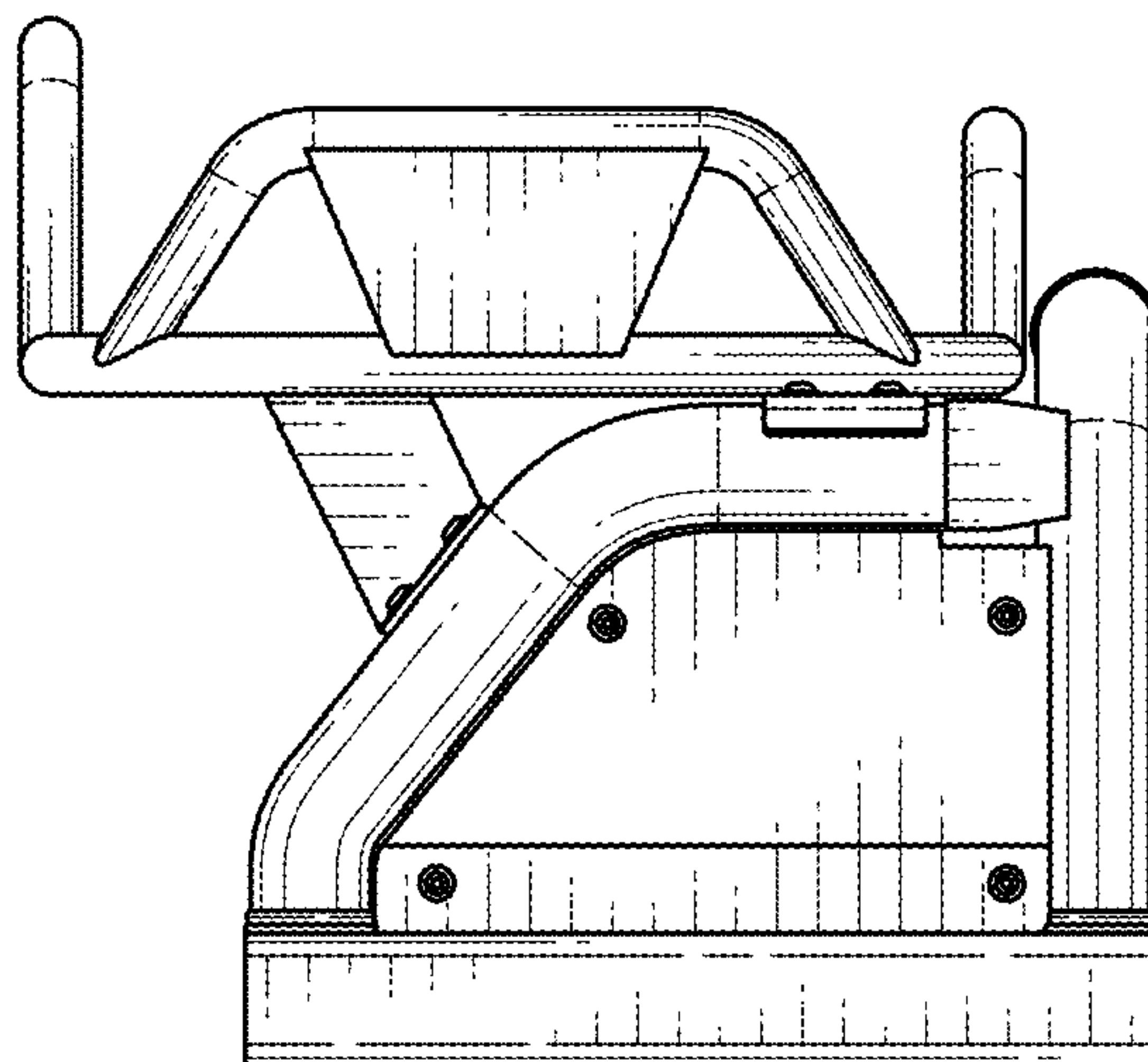


FIG. 24

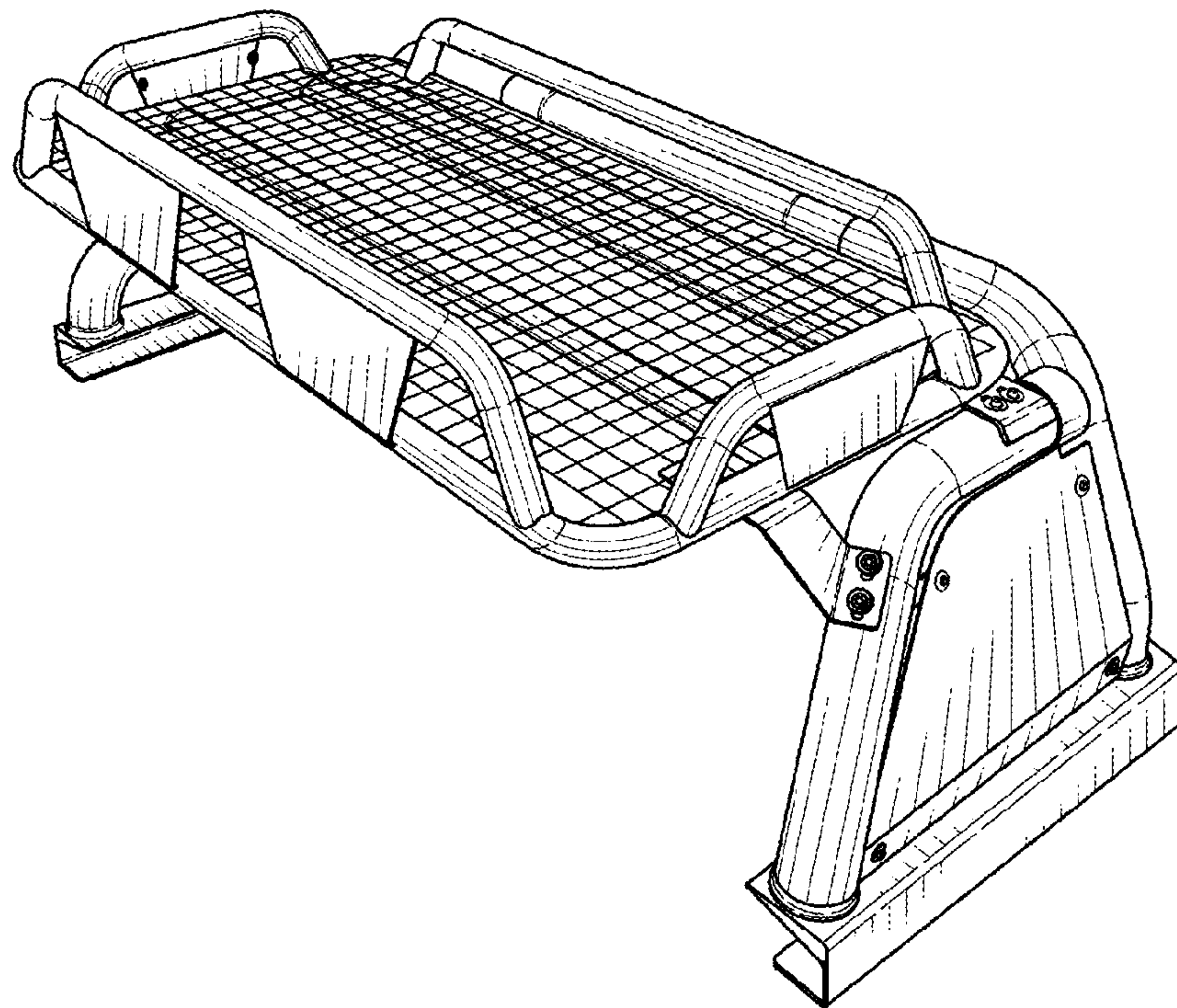


FIG. 25

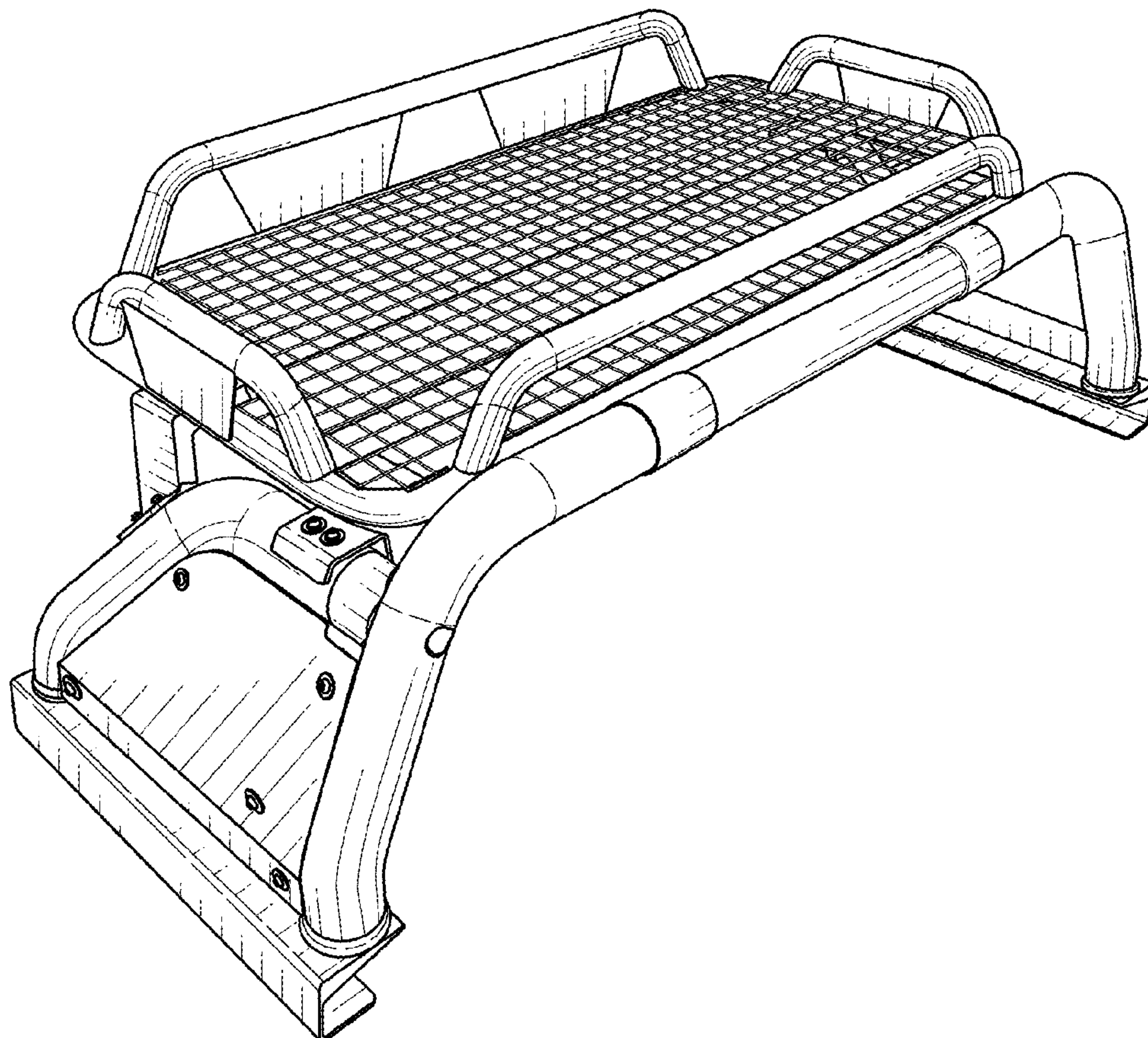


FIG. 26

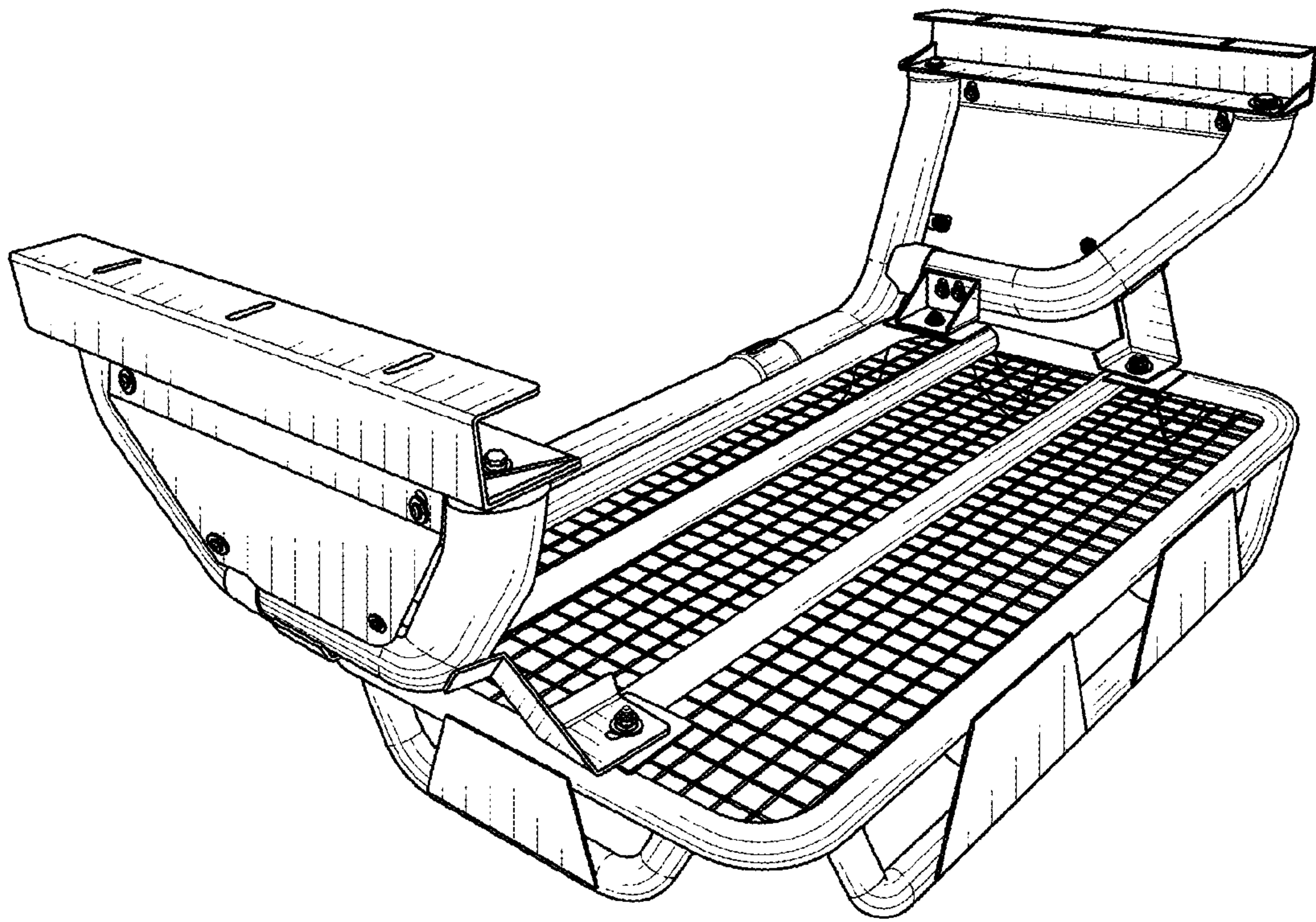


FIG. 27

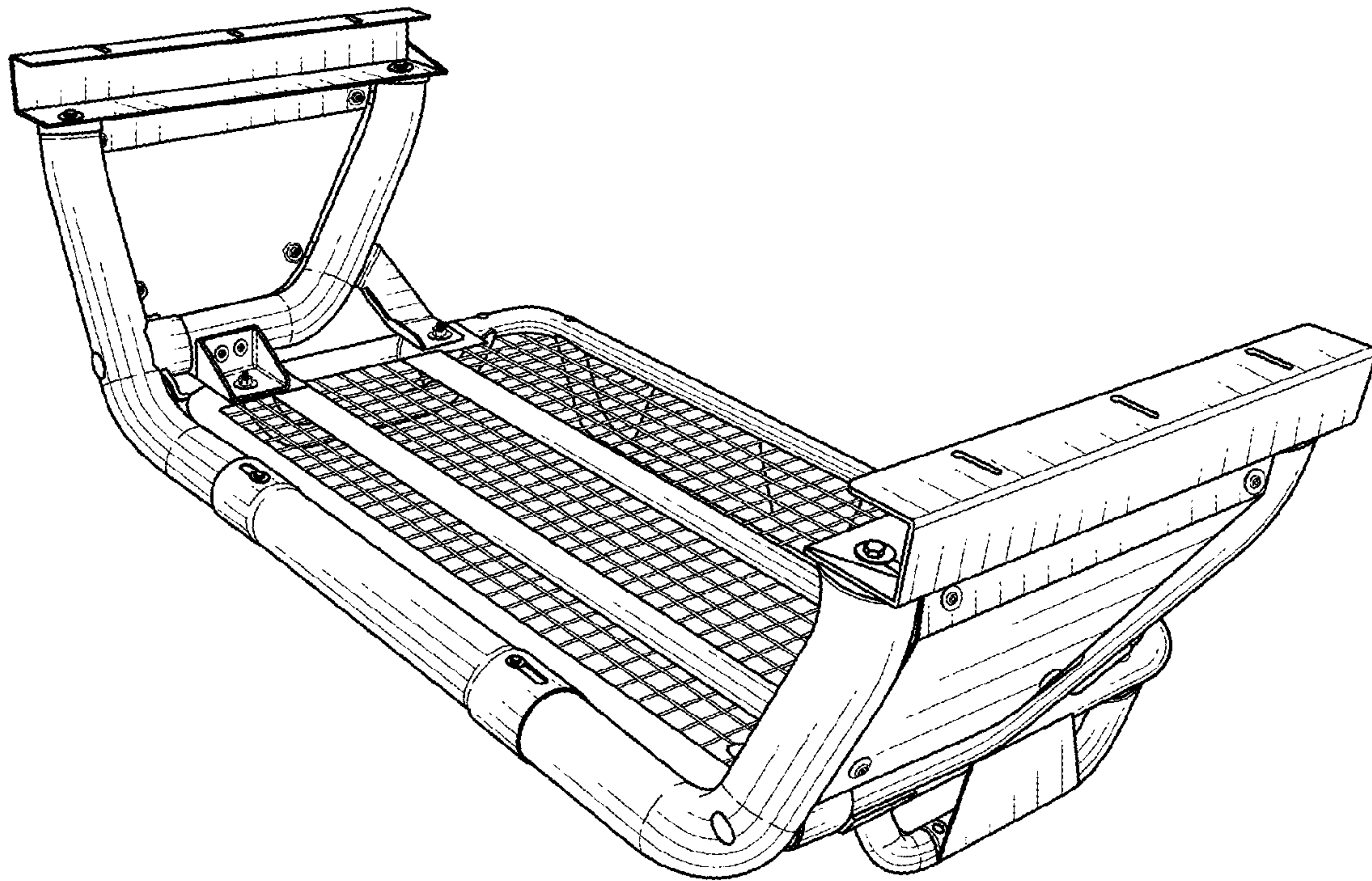


FIG. 28