



US00D947741S

(12) **United States Design Patent** (10) **Patent No.:** **US D947,741 S**
Manzoni (45) **Date of Patent:** **** Apr. 5, 2022**

- (54) **WHEEL RIM**
- (71) Applicant: **Ferrari S.p.A.**, Modena (IT)
- (72) Inventor: **Flavio Manzoni**, Maranello (IT)
- (73) Assignee: **FERRARI S.p.A.**, Modena (IT)
- (**) Term: **15 Years**
- (21) Appl. No.: **29/746,541**
- (22) Filed: **Aug. 14, 2020**

Related U.S. Application Data

- (62) Division of application No. 35/507,189, filed on Jan. 24, 2019 (U.S. filing date under 35 U.S.C. 384), and having an international filing date of Jan. 24, 2019, now Pat. No. Des. 910,491.

Foreign Application Priority Data

- Jul. 26, 2018 (EM) 005515632
- (51) **LOC (13) Cl.** **12-16**
- (52) **U.S. Cl.**
USPC **D12/209**
- (58) **Field of Classification Search**
USPC D12/204–213
CPC B60B 1/00; B60B 1/08; B60B 1/10; B60B 1/12; B60B 3/04; B60B 3/06; B60B 3/10; B60B 3/02; B60B 7/00; B60B 7/01; B60B 7/02; B60B 7/04; B60B 7/06
See application file for complete search history.

References Cited

U.S. PATENT DOCUMENTS

- D536,654 S * 2/2007 Moruzzi D12/211
- D542,208 S * 5/2007 Gallert D12/211
- D542,211 S * 5/2007 Hieke D12/211

- D603,779 S * 11/2009 Futschik D12/211
- D604,221 S * 11/2009 Krisch D12/211
- D746,210 S * 12/2015 Dilber D12/211
- D749,485 S * 2/2016 Gallert D12/211
- D759,559 S * 6/2016 Mielke D12/209
- D780,664 S * 3/2017 Gallert D12/211
- D789,865 S * 6/2017 Giolito D12/211
- D795,154 S * 8/2017 Hans D12/211
- D803,755 S * 11/2017 Widua D12/211
- D828,878 S * 9/2018 Sprowl D21/563
- 10,112,436 B2 * 10/2018 Denmead B60B 3/16
- D842,202 S * 3/2019 Han D12/209
- D845,862 S * 4/2019 Kong D12/209
- D855,001 S * 7/2019 Hodges D12/211
- 10,464,369 B1 * 11/2019 Samuels B60B 11/06
- D876,313 S * 2/2020 Schmolz D12/211
- D885,293 S * 5/2020 Gallert D12/211
- D900,698 S * 11/2020 Chung D12/209
- D908,585 S * 1/2021 Mukti D12/211
- D915,986 S * 4/2021 Wachter D12/209
- D928,062 S * 8/2021 Lesnik D12/209
- D928,683 S * 8/2021 Tamaki D12/209
- D929,294 S * 8/2021 Han D12/209

(Continued)

Primary Examiner — Darlington Ly

(74) *Attorney, Agent, or Firm* — Cowan, Liebowitz & Latman, P.C.; Anastasia Zhadina

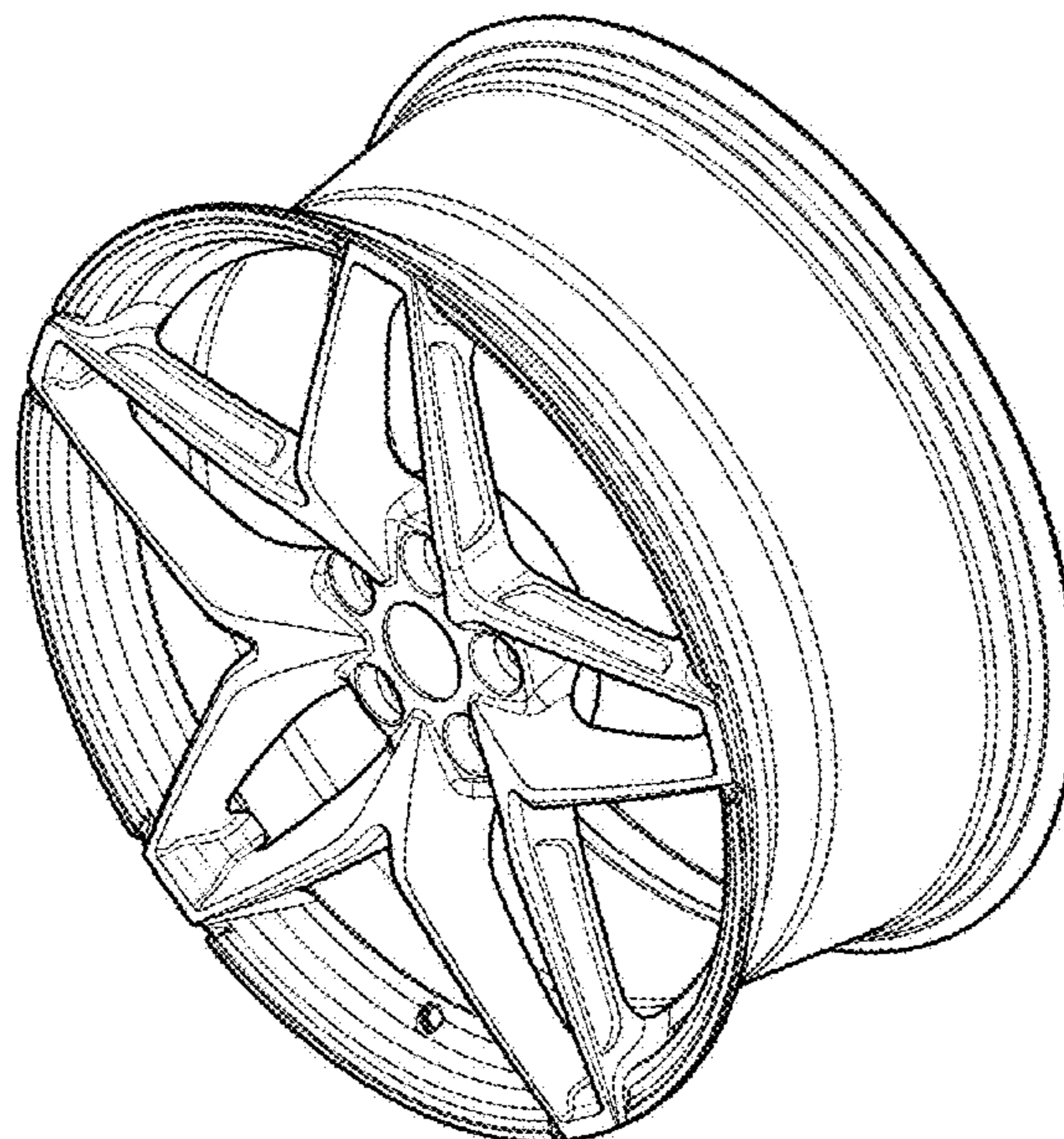
(57) **CLAIM**

The ornamental design for a wheel rim, as shown and described.

DESCRIPTION

FIG. 1 is a perspective view of a wheel rim embodying my new design;
FIG. 2 is front elevation view thereof;
FIG. 3 is a right side elevation view thereof;
FIG. 4 is a left side elevation view thereof;
FIG. 5 is a top plan view thereof; and,
FIG. 6 is a bottom plan view thereof.

1 Claim, 6 Drawing Sheets



(56)

References Cited

U.S. PATENT DOCUMENTS

D931,779 S * 9/2021 Podlovits D12/209
D932,409 S * 10/2021 Burki D12/209

* cited by examiner

FIG. 1

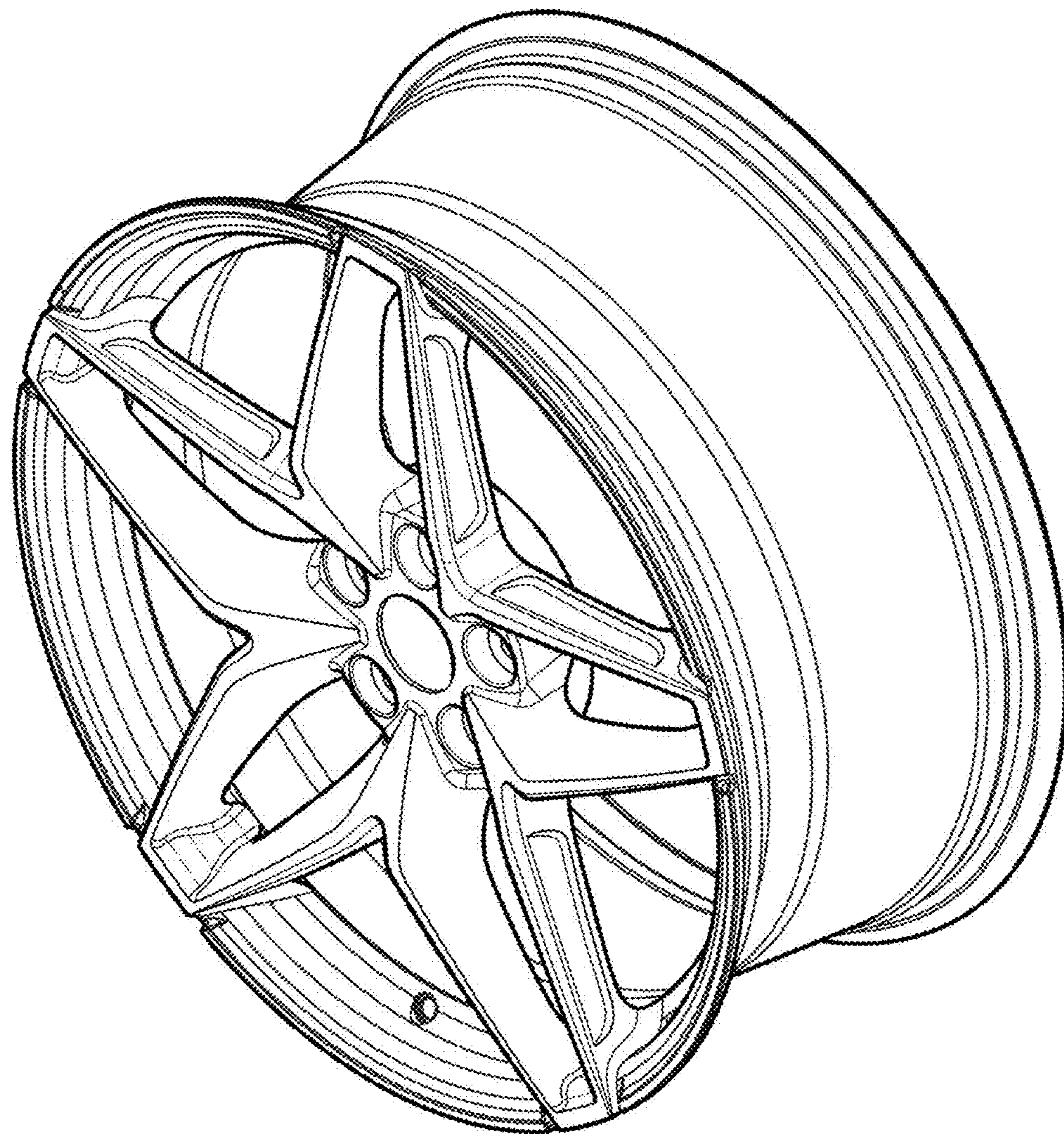


FIG. 2

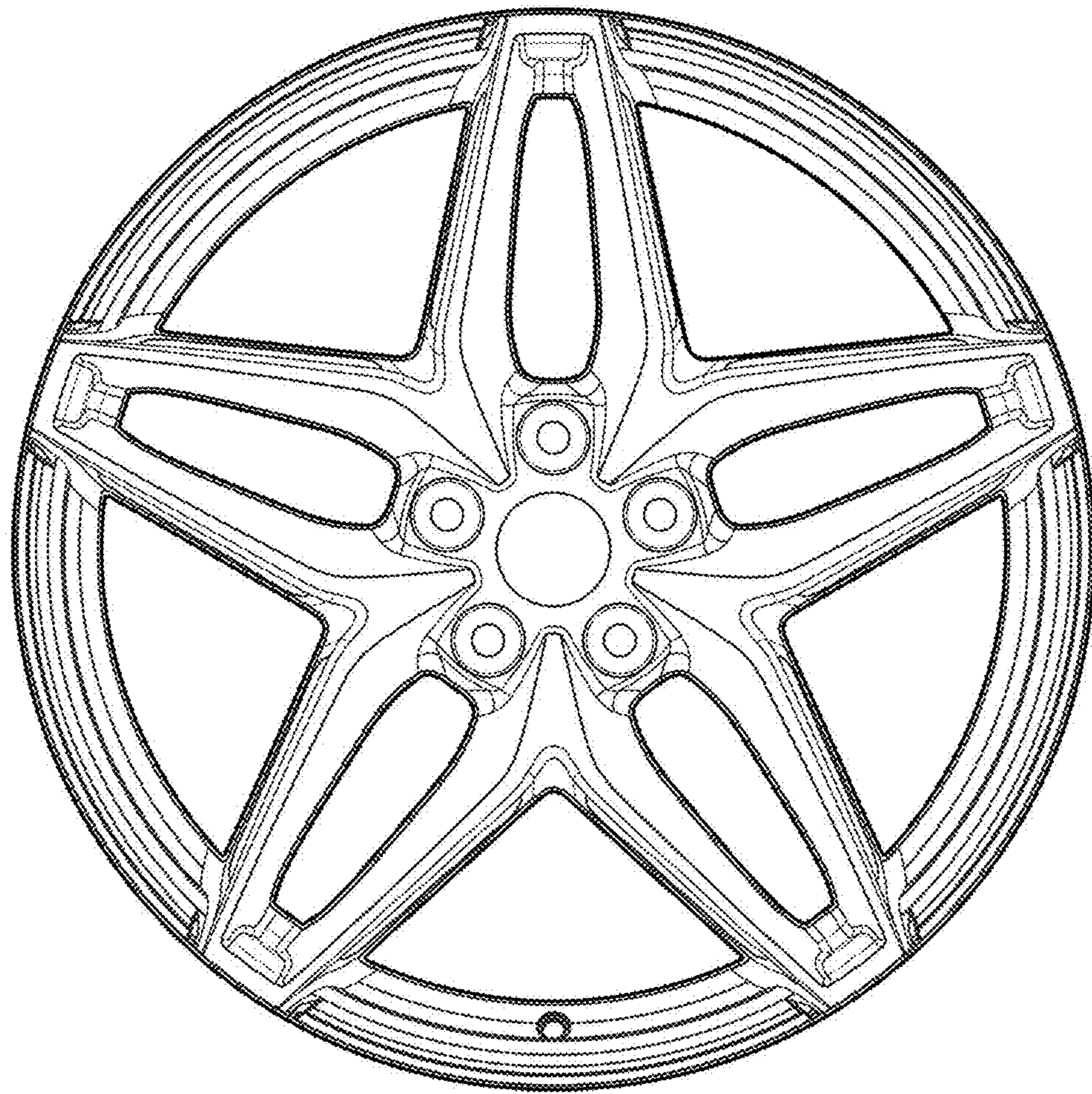


FIG. 3

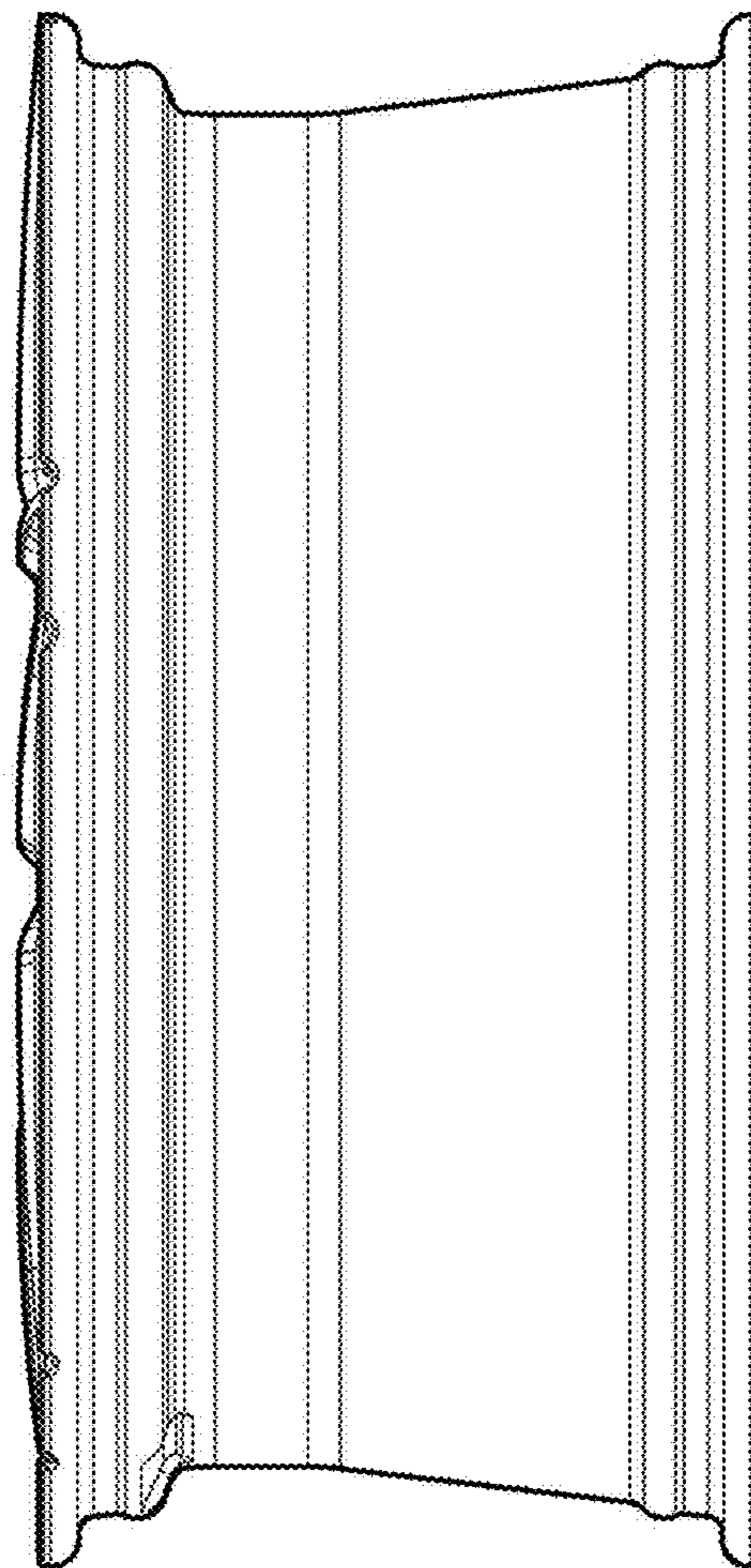


FIG. 4

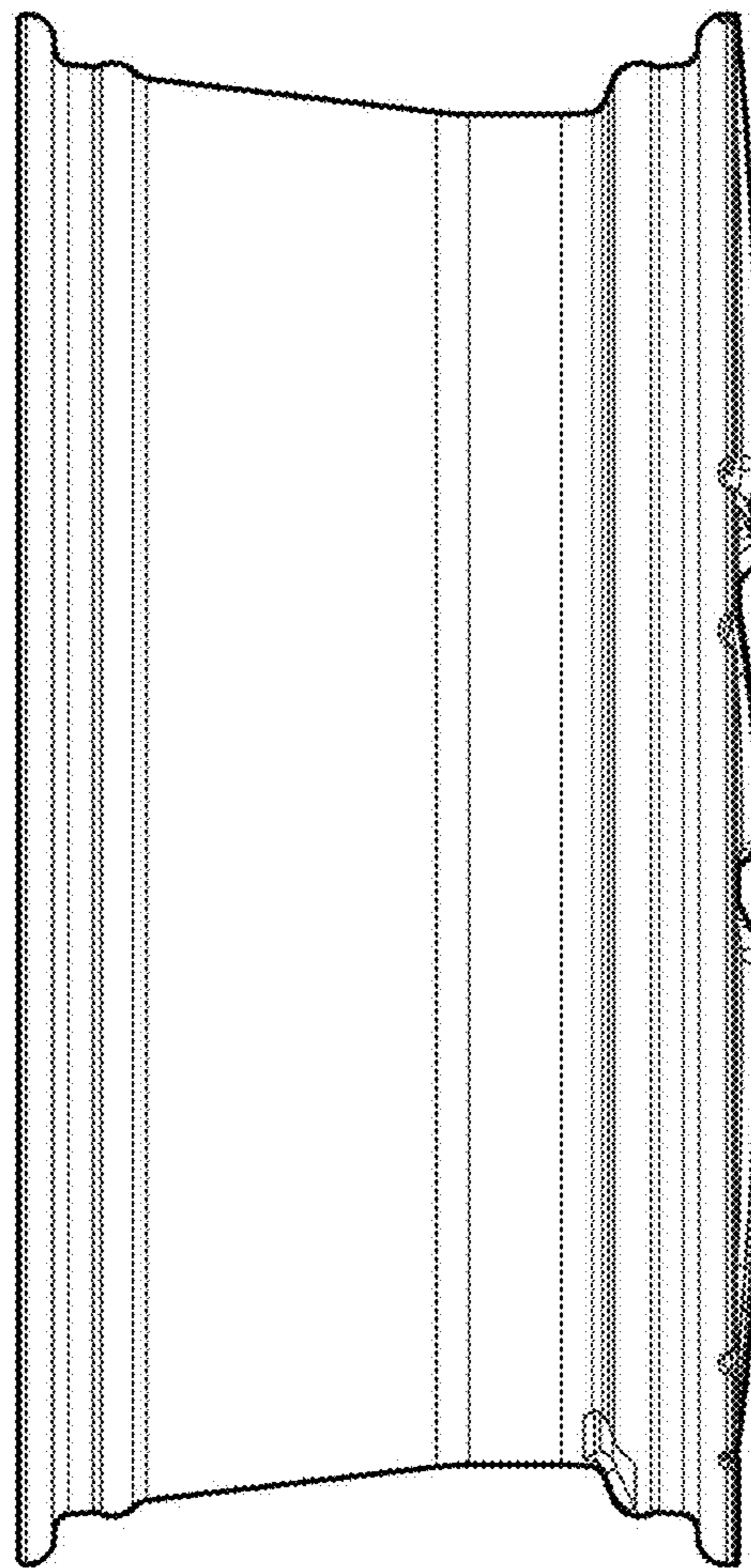


FIG. 5

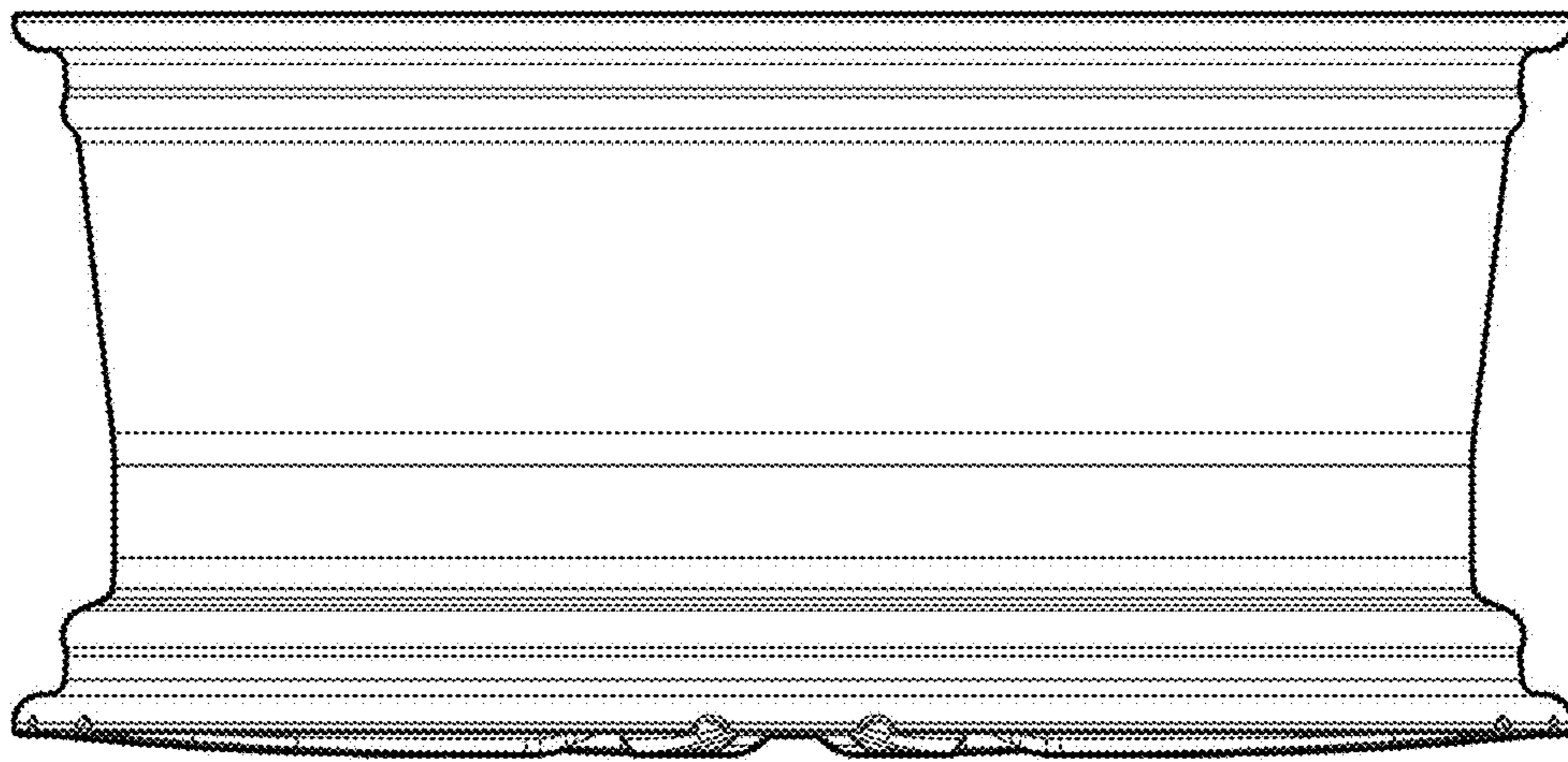


FIG. 6

